



PORTABLE POWER STATION

PIONEER 1000

QUICKSTART GUIDE

(Please see “USER MANUAL” for more information about operating.)



Baldr International LLC



322 Paseo Tesoro, Walnut, CA 91789



1-855-801-0798



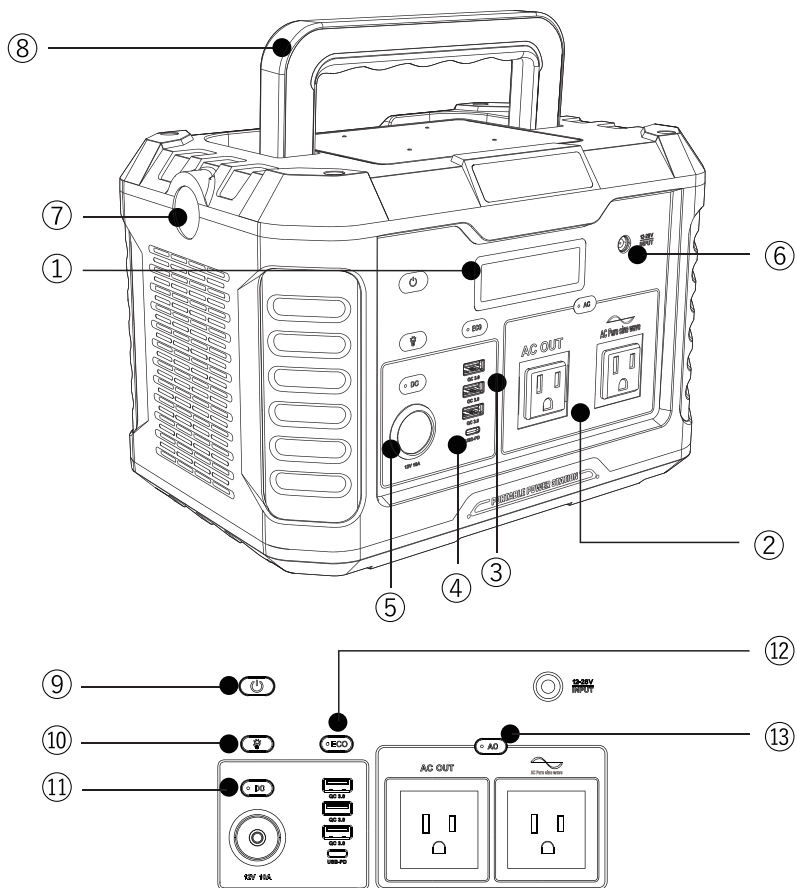
www.togopower.com



support@togopower.com



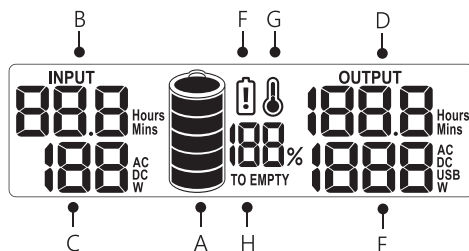
■ FEATURE DETAILS



- | | | |
|------------------------------------|--|------------------------|
| 1. LCD Screen Display | 2. AC Outlets | 3. USB QC3.0 |
| 4. USB-PD | 5. Cigarette Lighter Output | 6. DC Input |
| 7. Flashlight | 8. Handle | 9. Power ON/OFF Button |
| 10. Flashlight (SOS) ON/OFF Button | 11. DC/USB Outputs Power ON/OFF Button | |
| 12. ECO Function ON/OFF Button | 13. AC Outlet Power ON/OFF Button | |

■ LCD DETAILS

LCD FEATURES



- A:** Battery Level **B:** Remaining Charging Time **C:** Input Power
D: Remaining Usage Time **E:** Output Power **F:** Low Voltage Warning
G: Temperature Warning **H:** Low Battery Alarm

DETAILS DISPLAYED ON LCD

Battery Level: The battery level is provided by the percentage of battery charge corresponding to the number of bars and percentage displayed.

PLEASE BE AWARE that this value can adjust multiple times as the energy draw changes from the connected devices. This is evident during the initial activation of ports with a connected device.

RECOMMENDED charge the PIONEER 1000 when battery indicates less than 20%. Note that when you first plug into a power source, whether a solar panel or a wall charger, the PIONEER 1000 may take a couple of minutes to detect and adjust its charge circuitry before it starts to draw power.

Remaining Charging Time: The PIONEER 1000 can provide remaining charging time in hours and minutes.

Input Power: The PIONEER 1000 can provide input energy in watts.

Remaining Usage Time: The PIONEER 1000 can provide remaining usage time in hours and minutes.

Output Power: The display will provide the total output watts of the Cigarette Lighter Port, USB-A, USB-C and AC Outlet(s).

Low Voltage Warning: If the Low Voltage Warning indicator is on, please recharge the power station.

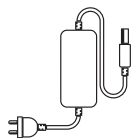
Temperature Indicator: The Temperature Indicator lights on means the battery temperature of PIONEER 1000 is too low/high. All functions of input and output will be stopped until the battery temperature returns to the working range.

Low Battery Alarm: The "TO EMPTY" Light on means the battery is lower than 20% and you should charge it as soon as possible to make the battery lifetime service longer.

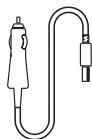
■ GENERAL SPECIFICATIONS

Model	PIONEER 1000
Battery	Lithium Battery
Capacity	933Wh (22.2V, 42Ah)
Dimensions	L290 x W201 x H200 mm
Weight	18.7lbs (8.5 kg)
Charging Temperature	32 to 104°F (0 to 40°C)
Discharging Temperature	14 to 104°F (-10 to 40°C)
DC Input	12-28V, 150W Max
AC Outlet	2x 120V, 60Hz 1000W, 2000W surge
Cigarette Lighter Port	1x 12V/10A
USB-A Ports	3x 5V/9V/12V, up to 3A, total 54W Max
USB-C Port	1x 5V/9V/12V/15V/20V, 3A, 60W Max
Flashlight (SOS Mode)	1x 1W

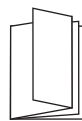
ACCESSORIES



- AC Wall Plug Power Adapter



- Car Charger Cable



- User Manual

NOTICES:

- Check the input charge cable. The ports will be efficient when the input charge cable meets the specification outlined in the GENERAL SPECIFICATIONS section.
- Only charge PIONEER 1000 with provided AC wall adapter.