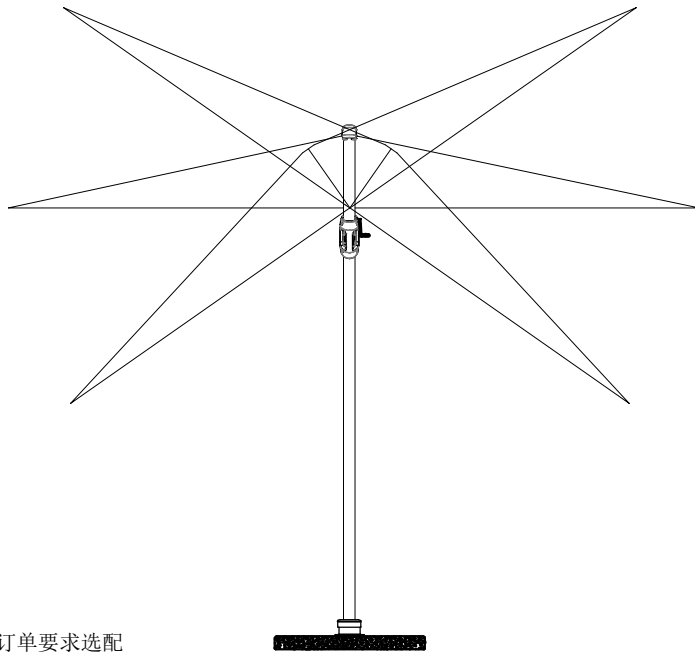
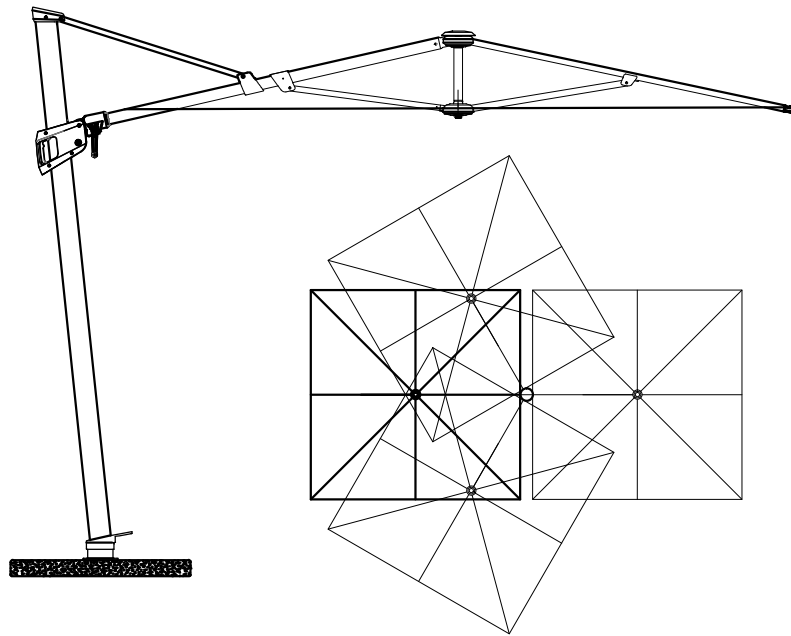
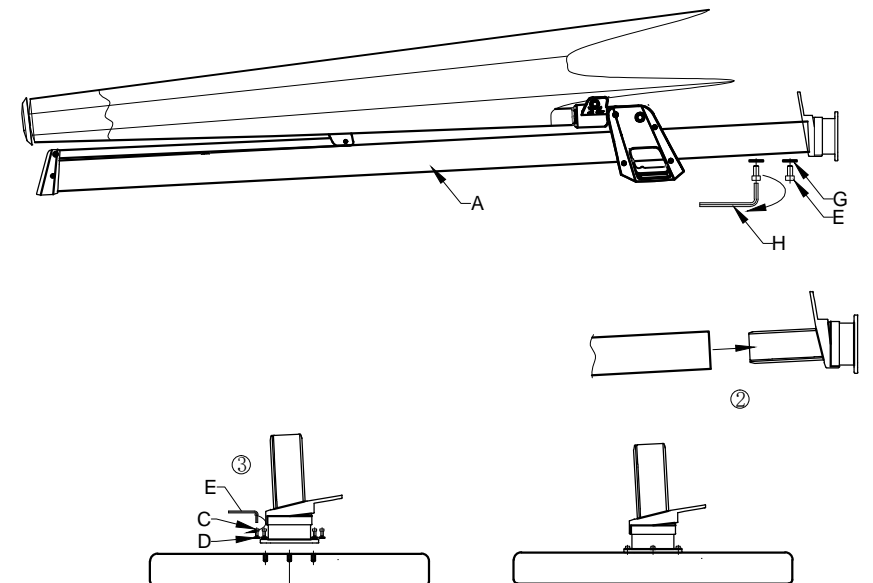


YA01 Instruction Manual



注：底座需按订单要求选配

	Spare Parts		Pcs
A			1
B			1
C		M10*20	4
D		∅10	4
E		8#	4
F		M8*16	2
G		∅8	2
H		6MM	1
I			1
J			1
K			1



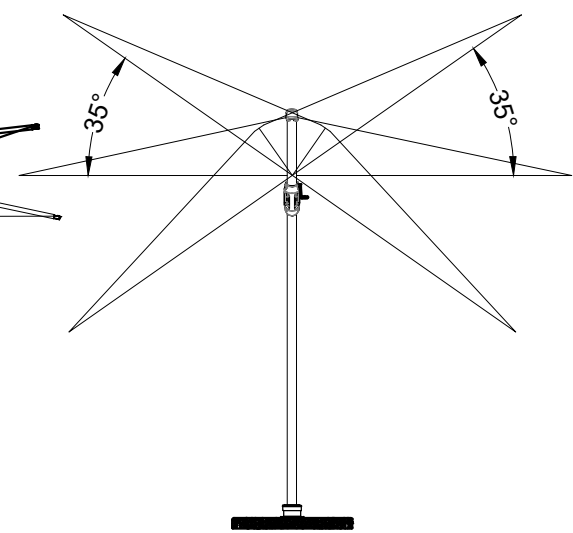
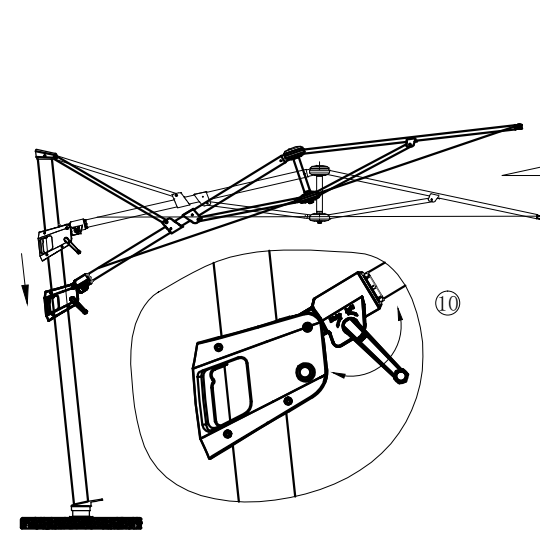
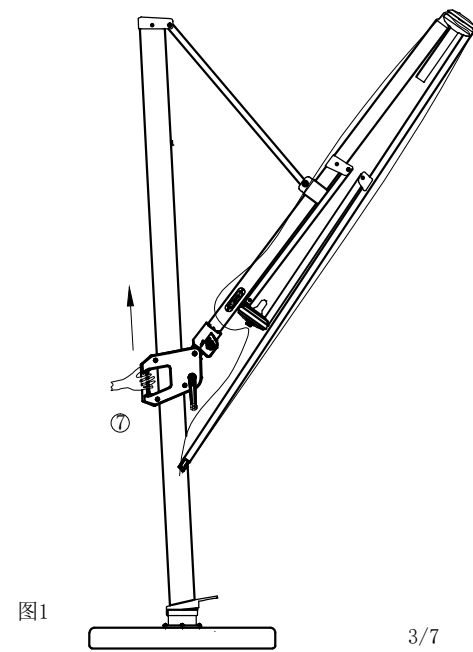
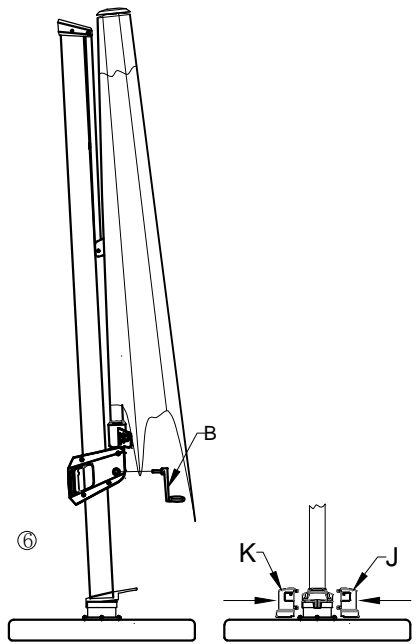
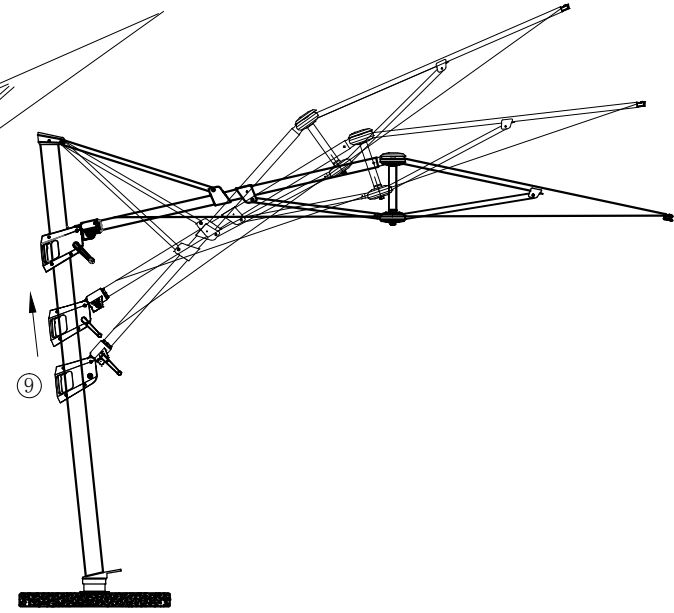
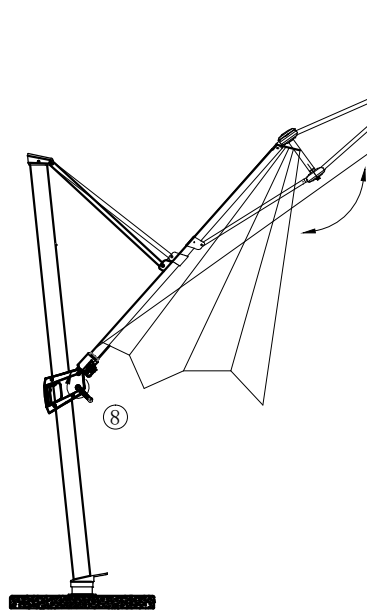
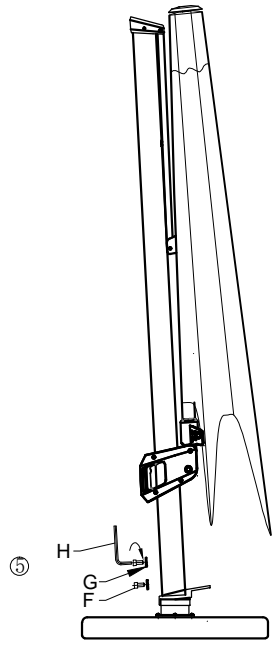
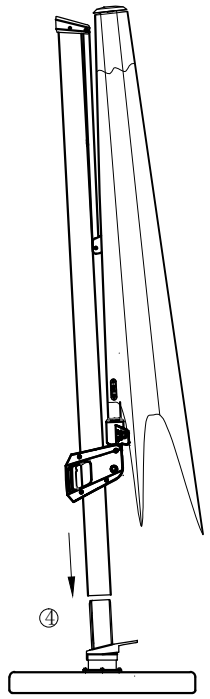


图1

