










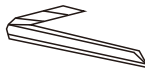
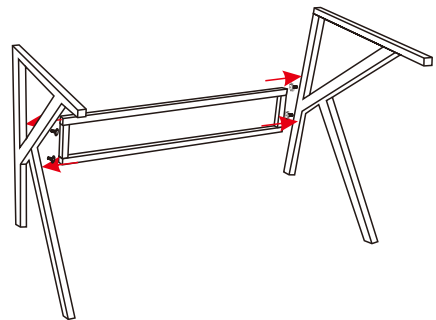


Gaming table installation diagram

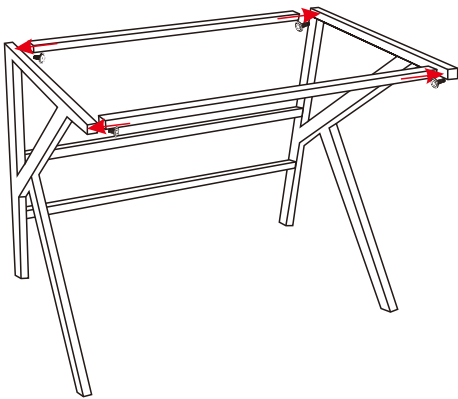
①		M6x4	⑦		x1
②		x6	⑧		x2
③		M6x1	⑨		x1
④		M8x8	⑩		x1
⑤		M6x2	⑪		x4
⑥		M8x1	⑫		x2



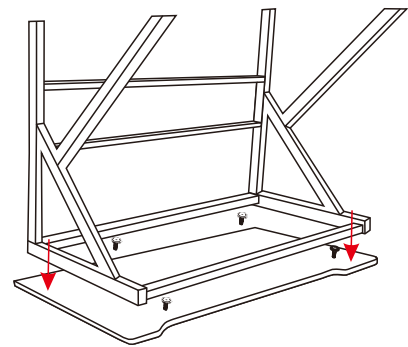
1、 Single foot



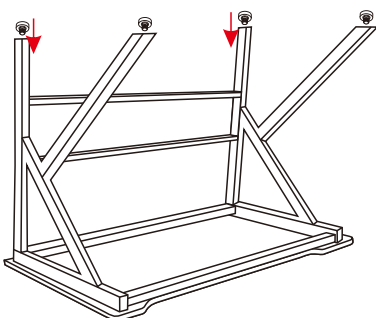
2、 Single foot and tie rod are connected with screws



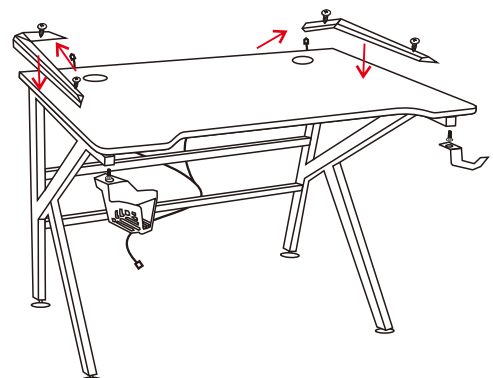
3、 Tie rod and foot connection



4、 The shelf is upside down and connected to the panel with screws



5、 Adjust the feet



6、 Armor box, cup holder is connected with feet and panel