

# 摊铺机

## PAVER

RP355 paver is a kind of mini-type crawler paver with working width of 0.5~3.5m. Compact machine structure offers flexible application. Full hydraulic drive and smart electrical system are incorporated to provide stable performance and high reliability. It is applicable for backfilling of road surface milling slot and gully, urban non-motorized lane construction, road construction in island and tourist attractions, garden landscape, community road construction and stadium construction, as well as special application for indoor and high-limit construction.

RP355型摊铺机属于摊铺宽度为0.5~3.5m的微型履带式摊铺机，机身小巧，使用灵活。采用全液压驱动和智能电控系统，性能稳定可靠。主要用于路面铣刨槽及沟壑回填、城市非机动车道建设、岛屿和旅游景点道路建设、园林景观、小区道路建设和体育场建设，同时满足用户对室内、限高等特殊工况施工的作业要求。

## 性能特点

### Performance characteristics

- Compact machine structure offers flexible application. The 1.4m width and less than 2m height of the machine fulfills application in low and narrow working conditions. Maximum 3.5 meter and minimum 0.5 meter can be achieved with width limit device, suitable for a variety of working conditions and differentiated needs of customers.
- Full hydraulic independent drive with load sensing control technology, allowing efficient, energy saving power output; Bosch Rexroth drive components provide reliable and stable performance.
- Cummins water-cooled turbocharged electric diesel engine (53kW/2200rpm) is equipped with sufficient power reserve, good atomization of diesel, good economy, low noise, long life and wide application range.
- Intelligent integrated control technology, integrated wiring harness, with a multi-function display panel, ensuring a closer human-computer interaction; the network control system with multi-cpu control technology is developed based on CAN bus technology platform, instructions are executed more reliably.
- The generator adopts independent driving technology, which can be tuned on according to the working requirements, which improves the utilization rate of the generator, increases the reliability of the components, and saves energy.
- Independent cooling system reduces the influence of engine speed fluctuation, so that the fan rotates more stably; Fan speed is adjusted with system temperature change to achieve the best cooling effect.
- 机身小巧，灵活性强。整机宽度1.4m，高度不足2m，满足多种低矮狭窄工况使用需求；最大摊铺宽度3.5m，安装限宽装置，最小摊铺宽度可达0.5m，适用多种工况，满足用户差异化需求。
- 采用全液压式独立驱动，配备负载敏感控制技术，动力输出高效、节能；驱动元件由力士乐原装进口，性能可靠稳定。
- 配置康明斯水冷涡轮增压型电控柴油机，功率储备充足，柴油雾化好，经济性好，噪音低、寿命长、适用范围广。
- 智能一体化控制技术，采用集成化线束，搭配多功能显示面板，人机交互更为紧密；以CAN总线技术为平台，开发具有多CPU控制技术的网络控制系统，指令执行更为可靠。
- 发电机采用独立驱动技术，可以根据工作需要开启，提高了发电机的利用率，增加了元件的可靠性，节约了能源。
- 配置独立散热系统，降低发动机转速波动影响，使风扇转动更为平稳；同时根据系统温度变化调节风扇转速，散热效果达到最佳。

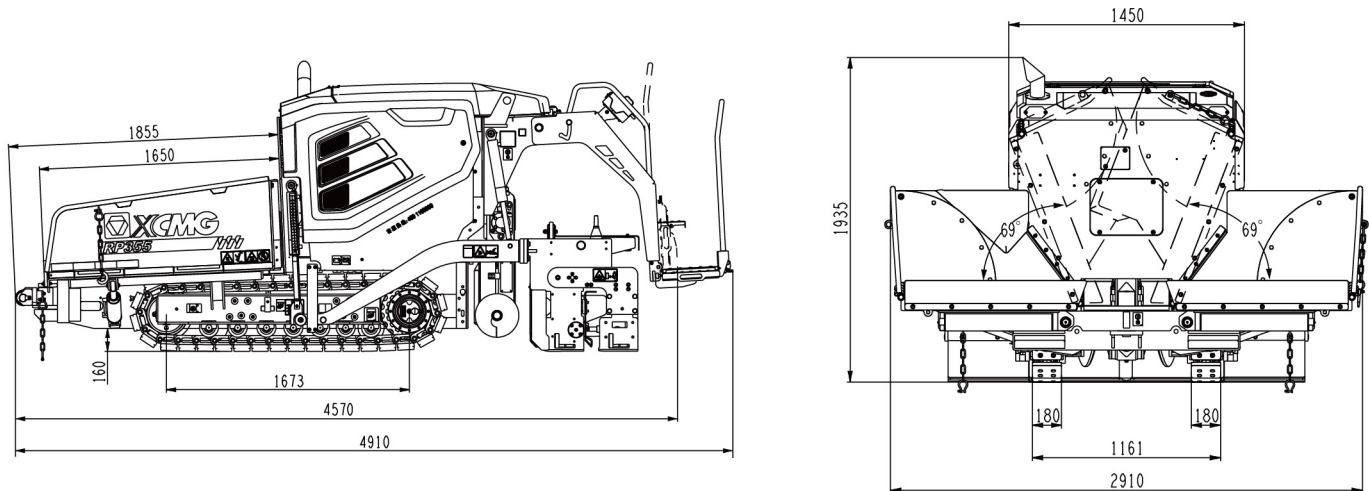
# RP355

## 摊铺机

PAVER

### 主要尺寸

Main Dimensions (mm)



### 主要技术参数

Main Specifications

Item	项目	单位 Unit	RP355
Basic paving width	基本摊铺宽度	m	1.2~2.2
Max. paving width	最大摊铺宽度	m	3.5
Max. paving thickness	最大摊铺厚度	mm	200
Working speed	工作速度	m/min	0~25
Travel speed	行驶速度	km/h	0~3.6
Theoretical productivity	理论生产率	t/h	300
Hopper capacity	料斗容量	t	5.8
Gradeability	爬坡能力	%	20
Evenness	平整度	mm/3m	3
Crown adjustment range	拱度调节范围	%	-2~+4
Diesel engine power	柴油机功率	kW	53
Diesel engine speed	柴油机转速	r/min	2200
Conveying speed	输料速度	m/min	0~25
Distributing speed	分料转速	r/min	0~70
Tamper speed	振捣转速	r/min	0~1500
Overall dimension	外形尺寸	mm	4910×1400×1935
Total weight	整机重量	t	7.5
Diesel tank volume	柴油箱容积	L	100
Hydraulic tank volume	液压油箱容积	L	80