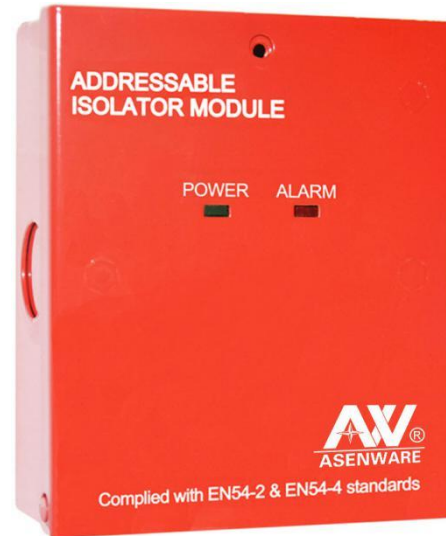


AW-D114 is an intelligent addressable isolator module, which can be configured with Asenware AW-FP100 Series Addressable Fire Alarm Control Panel.

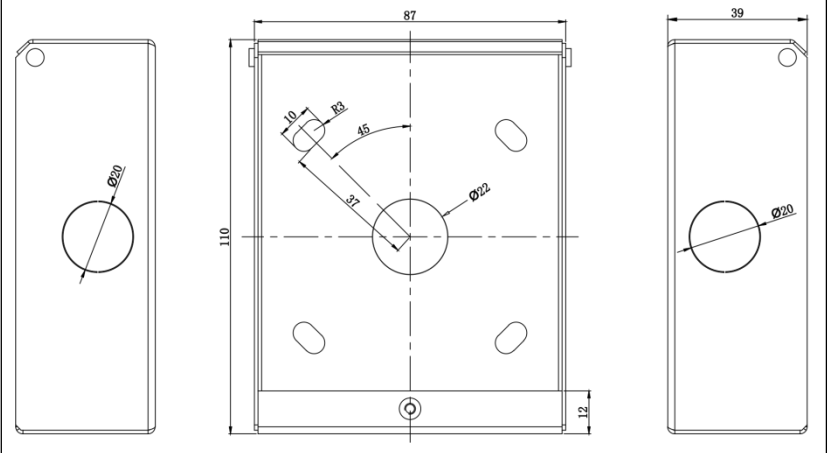
AW-D114 short-circuit isolator module is used to make sure the short circuit on the branch of the loop cannot affect the normal operation of the main loop circuit.



Features

- ✓ Reliable communication protocol
- ✓ Two-wire connection
- ✓ Two LEDs one is Green, which blinks in normal condition and another one is Red which becomes steady during fire alarm condition
- ✓ Remote test from Panel
- ✓ Automatically reset after correction of fault

Installation



Technical Specification

Model	AW-D114
Operating voltage	18~28VDC @Loop
Operating current(@Loop 24VDC)	Standby status≤25mA, Alarm status≤80mA
Wiring	The promise of two bus system(Loop in, Loop out)
Output current	≤900mA
Protection level	IP 30
Environmental	Temperature range: -10~50°C (14~122°F) Humidity: 5 to 95% RH, non-condensing
Mating host	AW-FP100 series fire alarm control panel
Size (L*W*H)	110mm* 87mm* 39mm
Weight	About 330g