

AW-D106 is an intelligent horn strobe, which can be configured with Asenware AW- FP100 Series Addressable Fire Alarm Control Panel.

Each point (device) can be given specific ID, when the panel enters fire alarm condition, which allows the panel to give a audible and visual signal to the specific location .

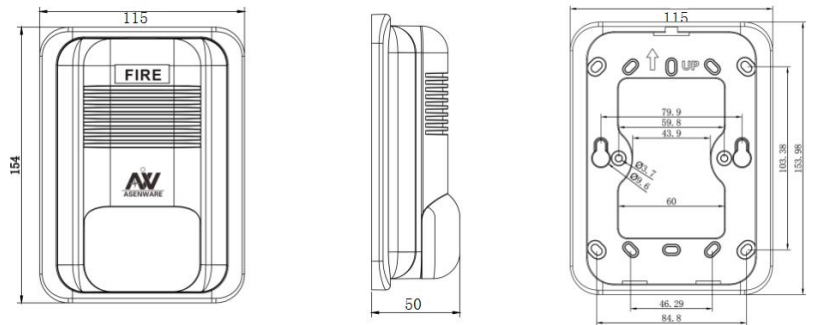
AW-D106 horn strobe are low-current, high-decibel notification appliances for use in fire signaling applications.



Features

- ✓ Low Standby current
- ✓ High decibel rating
- ✓ Flash period of 1 sec
- ✓ Reliable communication protocol

Installation



Technical Specification

Model	AW-D106
Operating voltage	18~28VDC @Loop
Operating current(@Loop 24VDC)	Standby status≤3mA, Alarm status≤60mA
Wiring	The promise of two bus system(Loop in, Loop out)
Alarm SPL	≥100 dB @1m
Flash period	1.0 sec
Environmental	Temperature range: -10~50°C (14~122°F) Humidity: 5 to 95% RH, non-condensing
Materials and colors	ABS, Red
Mating host	AW-FP100 series fire alarm control panel
Size(L*W*H)	154mm* 115mm* 50mm
Weight	About 195g