



GUANGZHOU INFINITY TRADING CO.LTD

SELLER:

**ADD:Yidong Building, No.301 ~ 303 Huanshi Middle Road, Yuexiu District,
Guangzhou City, Guangdong Province**







TEL: +86-20-83482602 ; Mob:+86-13556099908; Email: 1370988@qq.com

►PROJECT INFORMATION:

1. Raw materials: Hard stones
2. Max feeding size: 400mm
3. Discharging size: 0-10mm; 10-20mm
4. Capacity: 60-80 tons/hour

►STEREOSCOPIC DIAGRAM

PART-1 PRICE LIST:

No.	Photo	Name	Model	Power (Kw)	QTY (Set)	Unit price (USD)	Total price (USD)
A1		Vibrating feeder	ZSW850×300	7.5	1	11680	11680
A2		Jaw crusher	PE500×750	55	1	34920	34920
A3		Symons cone crusher	CS75	75	1	86660	86660
A4		Vibrating screen	2YZK1848	18.5	1	21900	21900
B1-6		Belt conveyor#1	B650×19M	5.5	1	7828	7828
		Belt conveyor#2	B650×25M	11	1	10300	10300
		Belt conveyor#3	B500×25.5M	7.5	1	8924	8924
		Belt conveyor#4	B500×15M	5.5X2	2	5250	10500
C1		Electric control	Matched	191	1	5520	5520
Total amount EXW							US \$198232

Remark:

- This plant includes:
 - ▶ Stone crushing plant-Machines;
 - ▶ All the machines are with motor, and Symons cone crusher with oil station;
- For detailed parameters and terms, please refer to the following;
- Power (Voltage): 380 V/3Phase/50Hz (Modify as requirement)

PART-2 COMMERCIAL TERMS:

- Payment:** Telex Transfer (T/T). 30%T/T as deposit in advance, 70%T/T balance before goods leaves factory;
- Delivery:** 40 working days after receiving 30% advance payment;
 - ▶Delivery Terms: EXW
- Packing:** The products should be processed to be rustproof and moisture proof before delivery. The small parts are packed into wooden crates; the big parts are wrapped by plastic sheeting;
- Installation:** Engineers to guide your workers to install and take trial run; buyer should prepare materials and tools

needed, offer necessary assistance. The expenses of accommodation, travel and insurance should be borne by buyer. The buyer should pay 100 USD per engineer per day.

5. Warranty: Brand is 100% new when leaving the factory. The manufacturer will guarantee the quality over a period of one year from the date of the test run has been carried out under our technician's instruction, but not exceed 15 months from the date on of machine leaved the factory

6. Country of Origin: China

7. Year of manufacturing: Newly Made

8. Additional Conditions

▶ After receiving advance payment, the seller will provide operation manual and foundation drawing to the buyer.

▶ The seller shall send technician(s) to direct installation, commissioning, trial-run, and training local workers.

▶ The buyer is responsible for board and lodging; return tickets, safety of technician etc.

▶ The salary is paid to technician's personal account which is designated by GUANGZHOU INFINITY TRADING CO.LTD

▶ The technician(s) come to give installation guidance for the project in this quotation only, if buyer needs the technician(s) to do other projects, it should be permitted and negotiated with seller in advance.

9. Beneficiary and bank:

BENEFICIARY NAME: GUANGZHOU INFINITY TRADING CO.LTD

BENEFICIARY ADDRESS: YIDONG BUILDING, NO.301 ~ 303 HUANSI MIDDLE ROAD, YUEXIU DISTRICT, GUANGZHOU CITY, GUANGDONG PROVINCE

OUR BANK NAME: CITIBANK N.A. SINGAPORE BRANCH

BANK ADDRESS: 3 CHANGI BUSINESS, PARK CRESCENT, #07-00, SINGAPORE 486026

ACCOUNT NUMBER: 91600044817

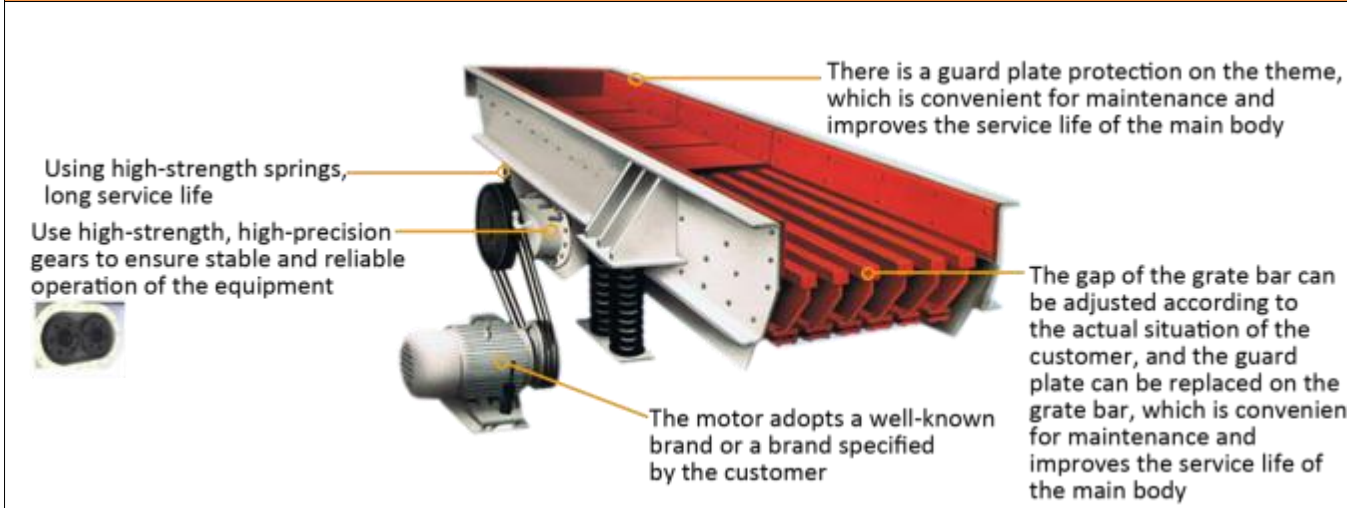
SWIFT CODE: CITISGSGXXX

PART-3 ATTACHMENT-PHOTO AND TECHNICAL PARAMETERS FOR CRUSHER

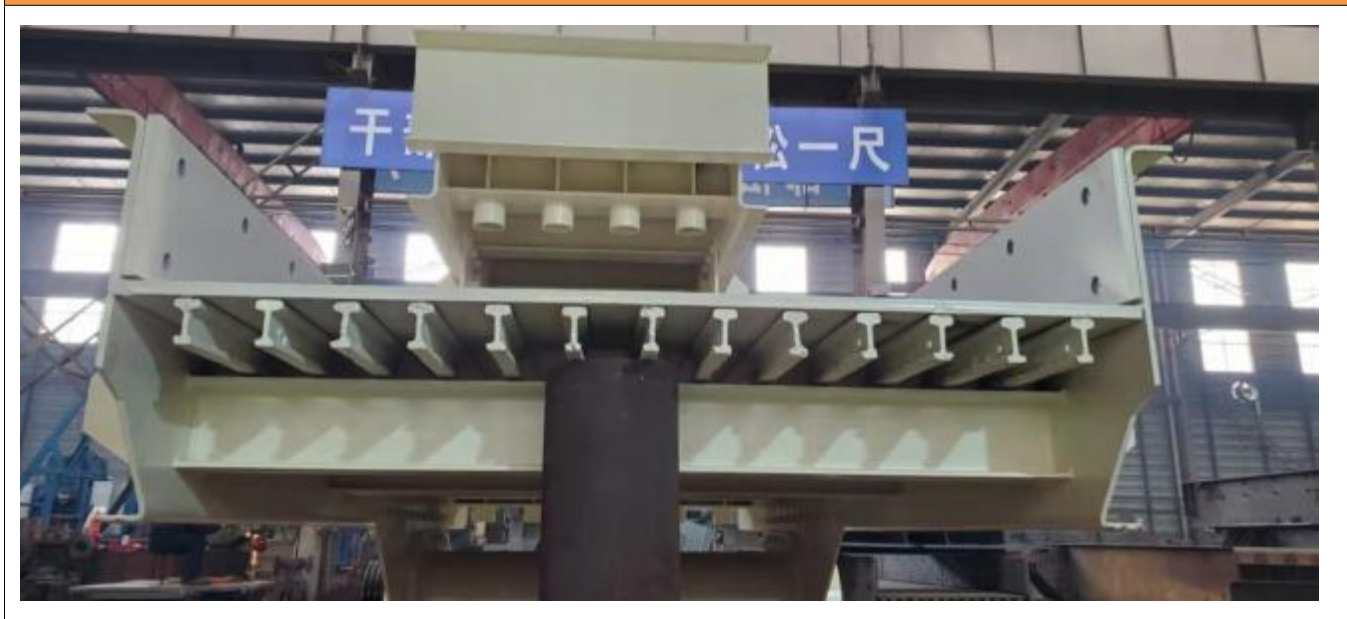
▶ Vibrating feeder ZSW850X3000

Item	Photo	Material
1) Model: ZSW850X3000 2) Size of trough: 850X3000mm 3) Max. Feeding Size:400mm 4) Capacity: 80-120T/H 5) Motor Power:7.5kw 6) Weight: 3T 7) Dimension: 3110X1800X1600mm		<p>▶ The Machine body: Q235</p>

Schematic




More Photos





► Jaw crusher PE500X750

Item	Photo	Material
<ol style="list-style-type: none"> 1) Model: PE500X750 2) Feed Opening Size: 500X750mm 3) Max. Feeding Size: 400mm 4) Adjustable range of discharge: 50-100mm 5) Capacity: 40-110T/H 6) Motor Power: 45kw 7) Weight: 10T 8) Dimension: 1956X1918X1920mm 		<ul style="list-style-type: none"> ► The Machine body: Q235 ► Jaw plates: ZGMn13 ► Toggle plate: Cast iron ► Eccentric shaft: 45 chrome

Schematic



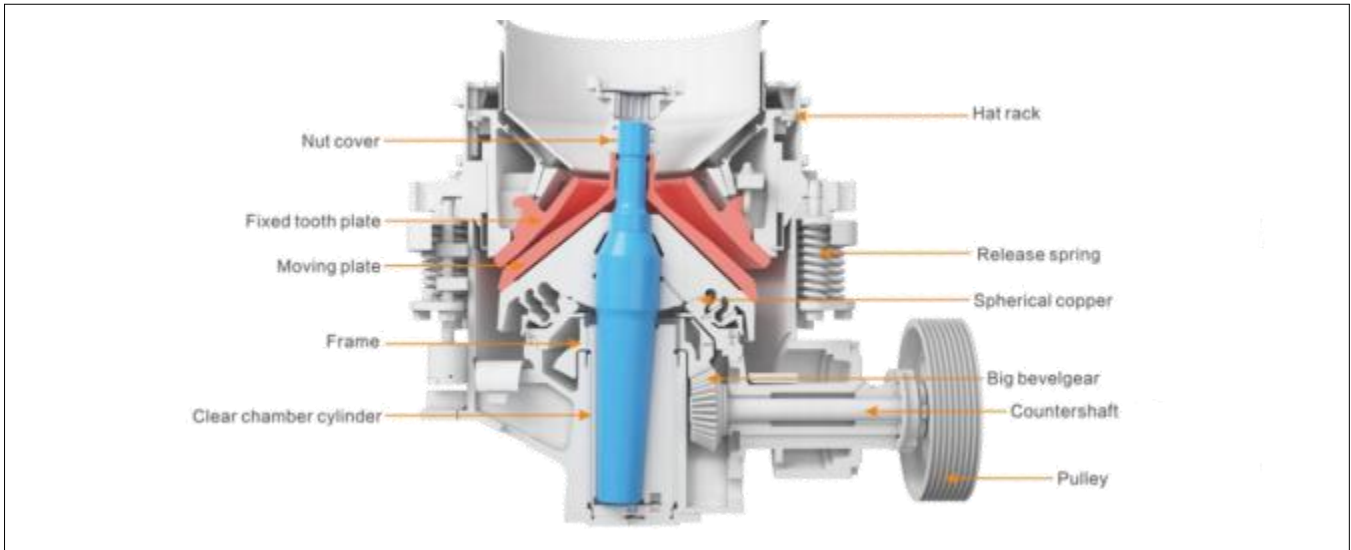
More Photos



► Symons cone crusher CS75

Item	Photo	Material
1) Model:CS75 2) Movable cone diameters: 910mm 3) Max. Feeding Size:100mm 4) Capacity: 45-91T/H 5) Motor Power:75kw 6) Weight: 11T 7) Dimension: 2821X1880X2100mm		► The Machine body: Q235 ► Cone: ZGMn13

Schematic



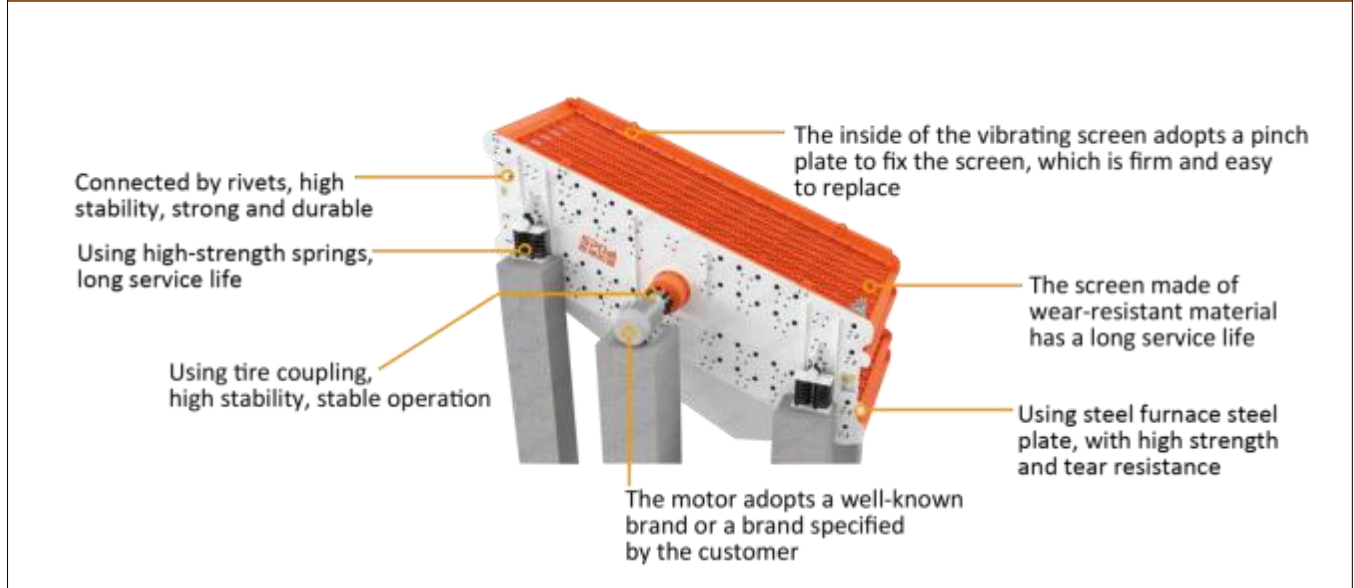
More Photos



► Vibrating screen 2YZK1848

Item	Photo	Material
1) Model:2YZK1848 2) Surface specification: 1800X6000mm 3) Max. Feeding Size:400mm 4) Deck:2 5) Capacity: 56-330T/H 6) Motor Power:18.5kw 7) Weight: 4.5T 8) Dimension: 5960X2540X2120mm		<ul style="list-style-type: none"> ▶ The Machine body: Q235 ▶ Screen Sieve/Mn2Si60

Schematic



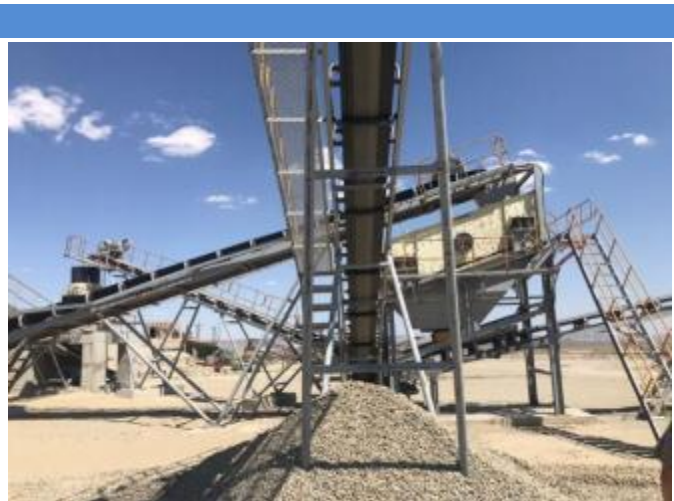
More Photos





PART-4 FACTORY & WORKSHOP





► Abeokuta, Nigeria

