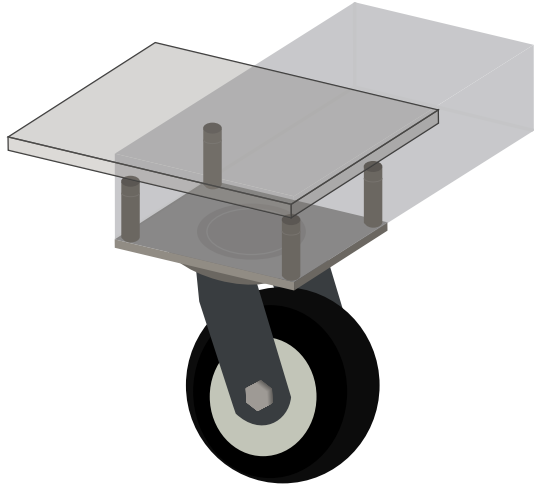


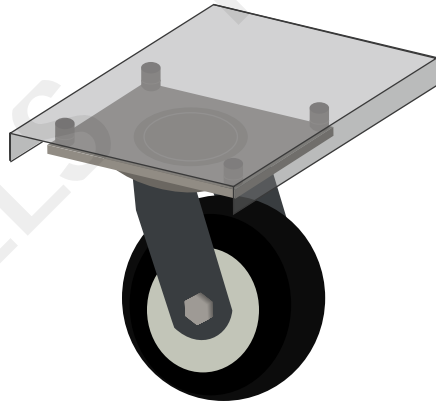
CASTER MOUNTING APPLICATIONS

1



Swivel plate bolts or welds to cross support of truck floor.

2



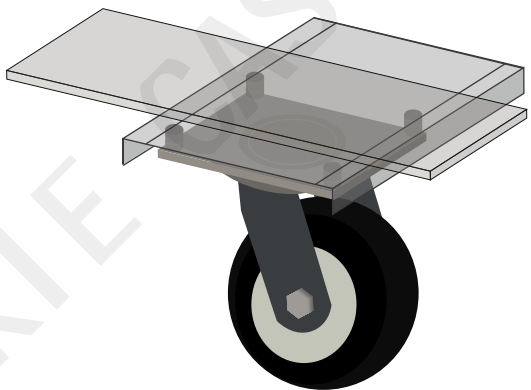
Swivel plate bolts to wood and inverted channel iron cross support truck floor.

3



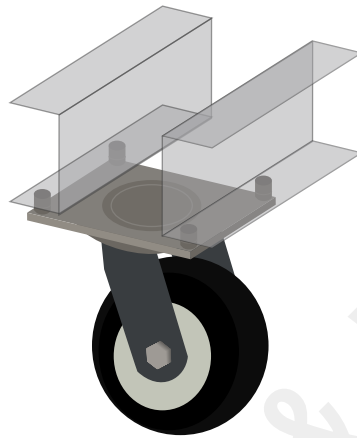
Swivel plate bolts or welds to angle iron frame and corner brace.

4



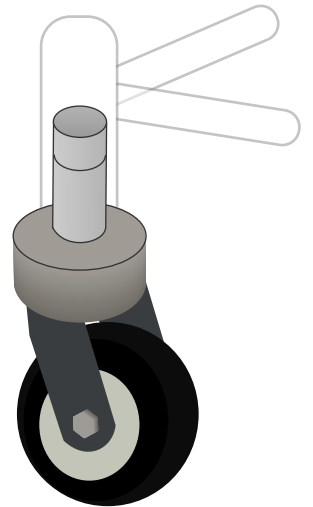
Swivel plate bolts or welds to angle iron frame and inverted cross supports.

5



Swivel plate bolts or welds to U-beams used as cross supports.

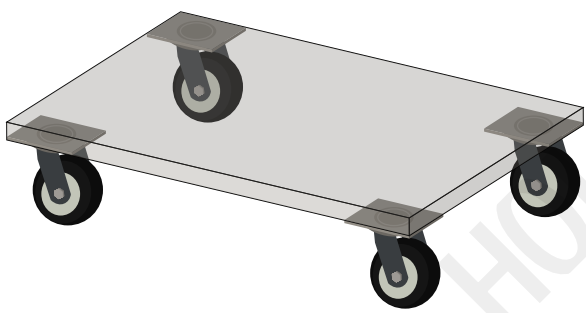
6



Stem caster adapts to round and square tubes when plates are not feasible.

7

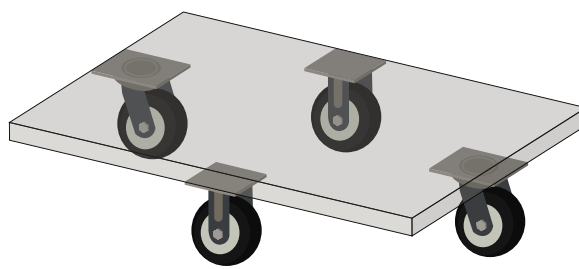
LOAD STEERING ●●○
●●●



Four swivel casters respond instantly to directional change, making parking easy in limited space. Recommended for short distances, crowded conditions.

8

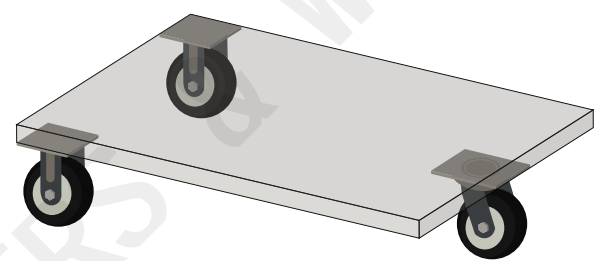
LOAD STEERING ●●○
●●●



Two rigid casters at sides, two swivel casters at ends make a highly maneuverable truck that turns in its own length.

9

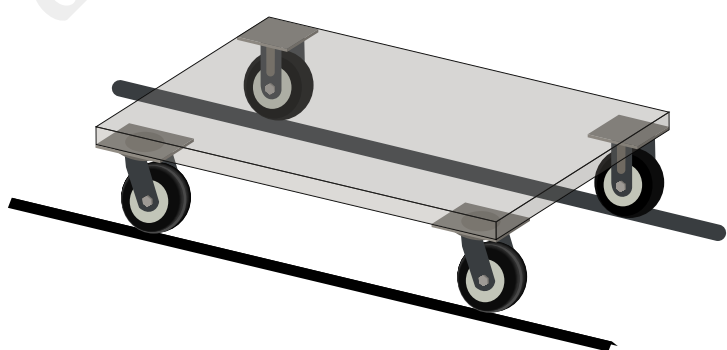
LOAD STEERING ●○●
●○●



Two rigid, one swivel caster make a maneuverable triangle dolly for light loads.

10

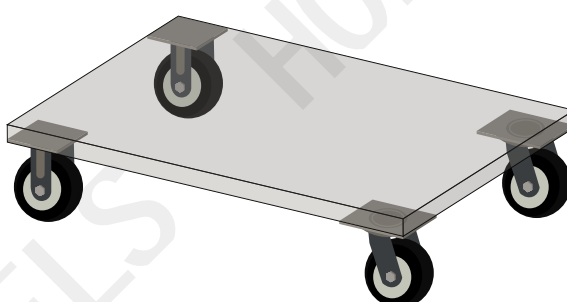
LOAD STEERING ●●○
●○●



Two V-grooved casters on angle-iron track and two plain rigid casters rolling on metal plate make an ideal production line carrier.

11

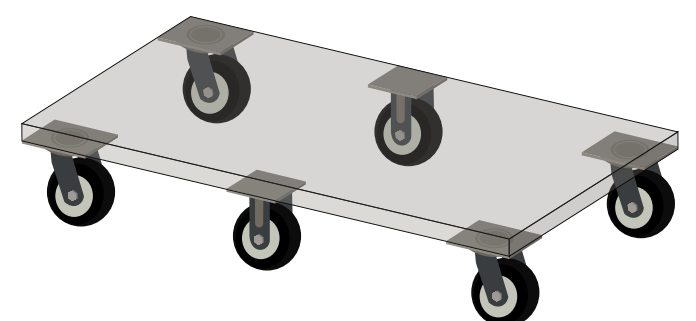
LOAD STEERING ●●○
●○●



Two swivel and rigid casters provide easy steering over long distances.

12

LOAD STEERING ●●●
●●●



Two center rigid casters at sides, four swivel casters at corners give maximum load capacity while offering superior maneuverability.