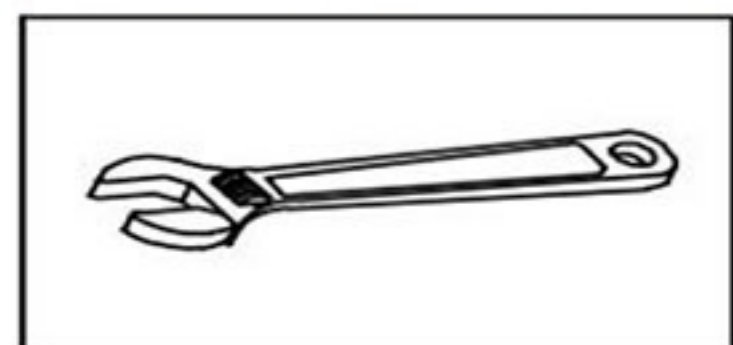
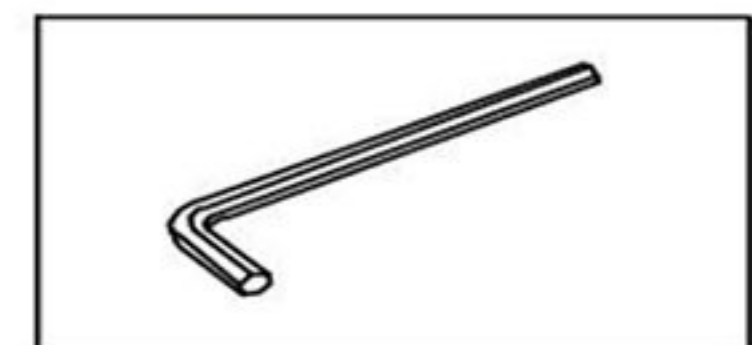


# Split Bathtub Faucet Installation

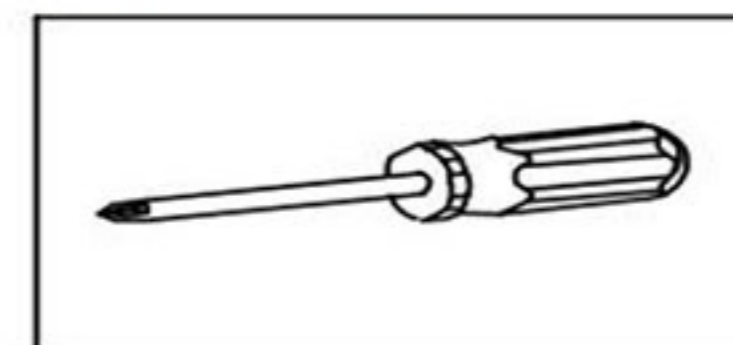
## INSTALLATION MANUAL Tools You Will Need:



Adjustable Wrench



Hexagon wrench



Philips Screwdriver

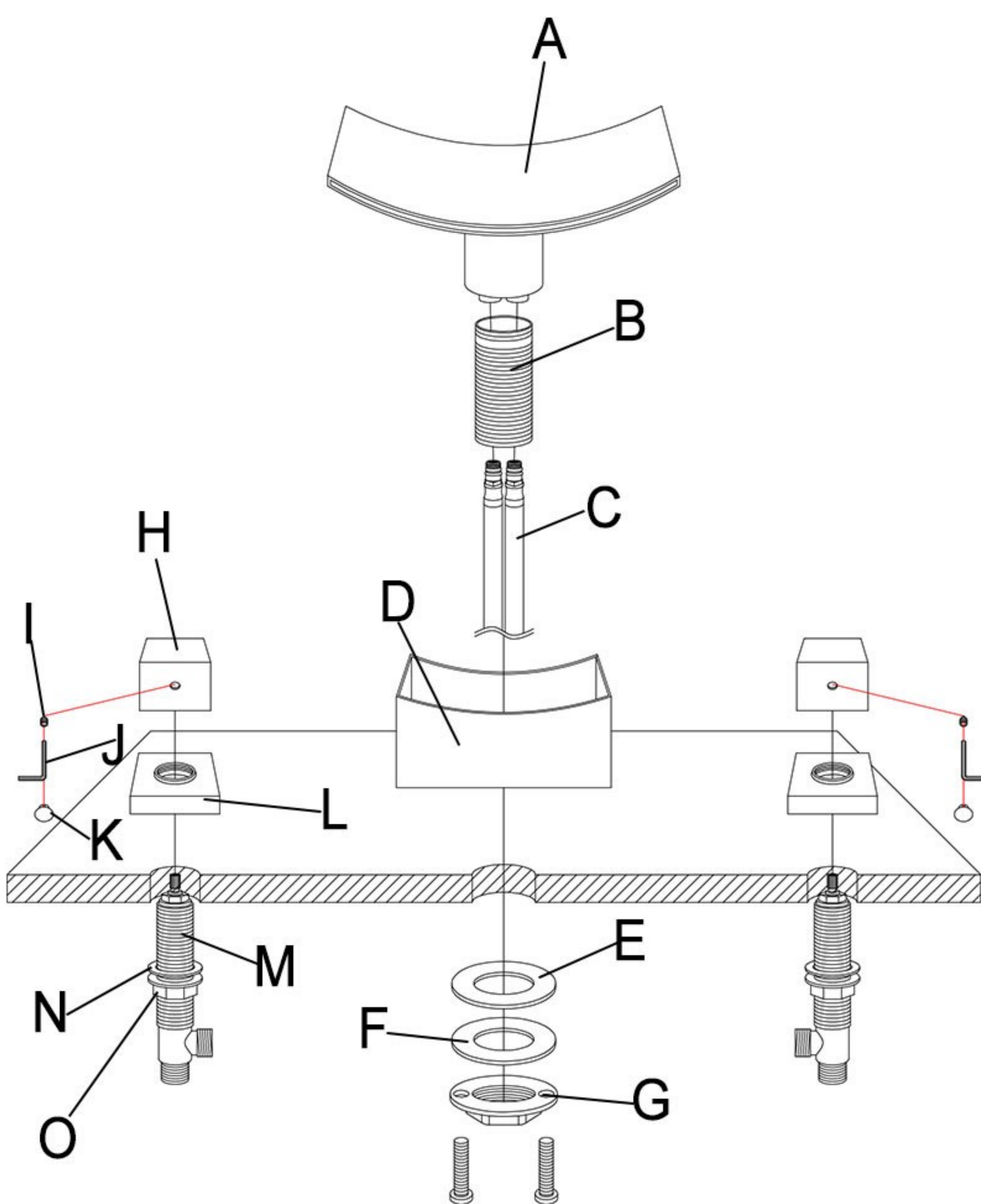
## Before the Installation

1. Check the package and confirm all parts are included. If any part is missing or damaged, please contact us.
2. Do not disassemble the main body, as it has been installed & commissioned correctly & precisely before leaving the factory.
3. Shut off the main water supply prior to beginning installation.
4. Do flush the water supply lines to remove any dirt and debris before installation (**IMPORTANT**).
5. Make sure to connect the hot/cold inlet pipe correctly. If standing in front, connect hot water pipe to the left and cold water pipe to the right.
6. After the installation, check for leaks and make sure every joint is safely sealed.

## Cleaning and Maintenance

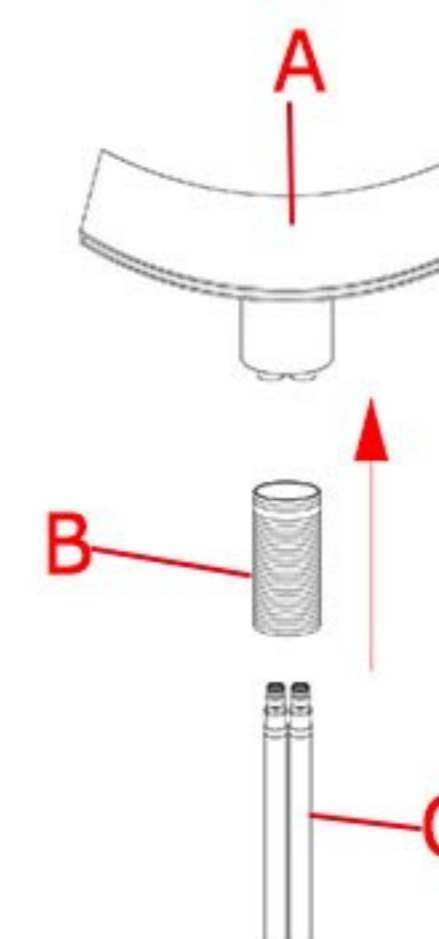
1. Rinse with clean water and dry with a soft cloth.
2. Do not use any detergent, acid, polisher, abrasives, or harsh cleaners.
3. Do not use cloth with a coarse surface.

## Parts List

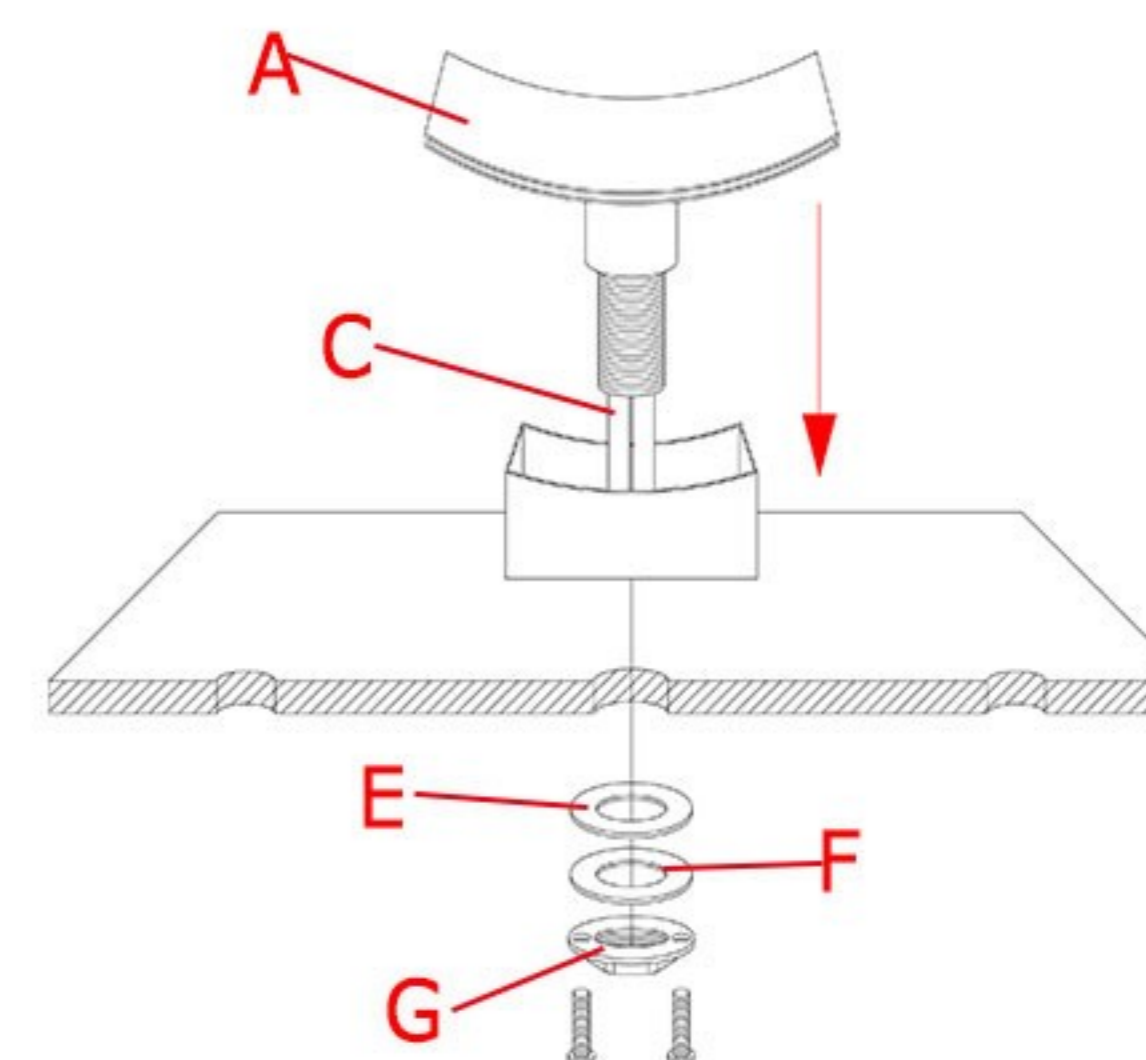


Part	Name	Quantity
A	spout	1
B	threaded pipe	1
C	hot/cold waterline	2
D	spout base	1
E	big rubber washer	1
F	metal washer	1
G	big mounting nut	1
H	handle	2
I	set screw	2
J	Allen key	1
K	indication button	2
L	decor cover	2
M	hot/cold water valve	2
N	small rubber washer	2
O	small mounting nut	2

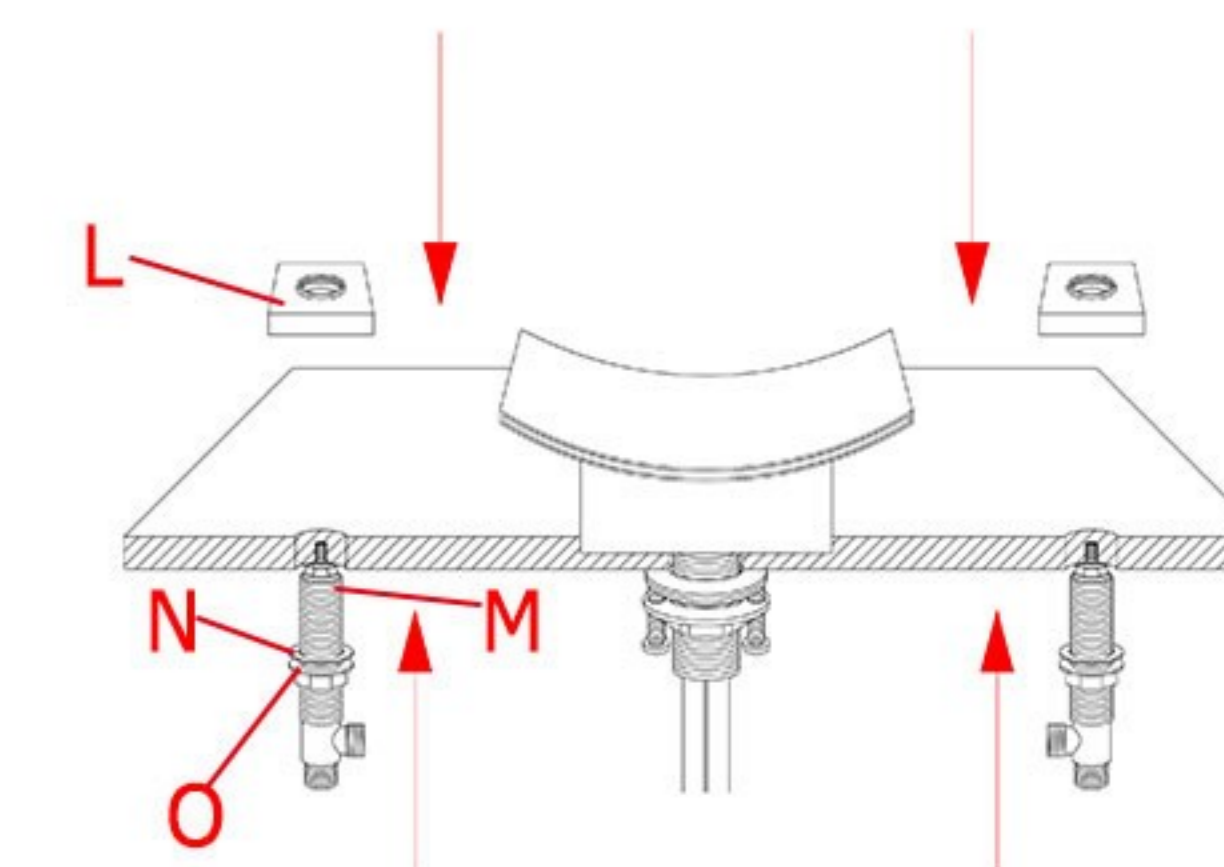
## Installation Guide



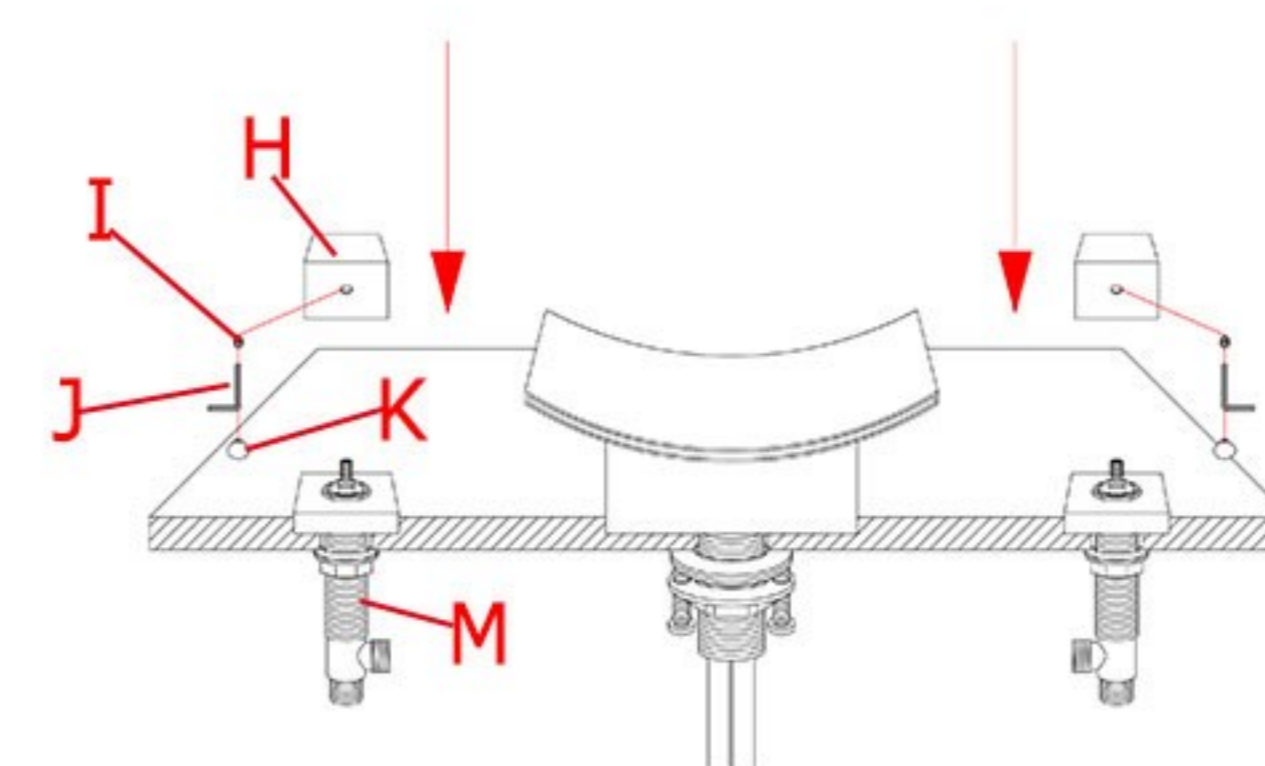
1. Feed the hot/cold waterlines (C) into the threaded pipe (B). Screw up the hot/cold waterlines and the threaded pipe into the bottom of the spout (A).



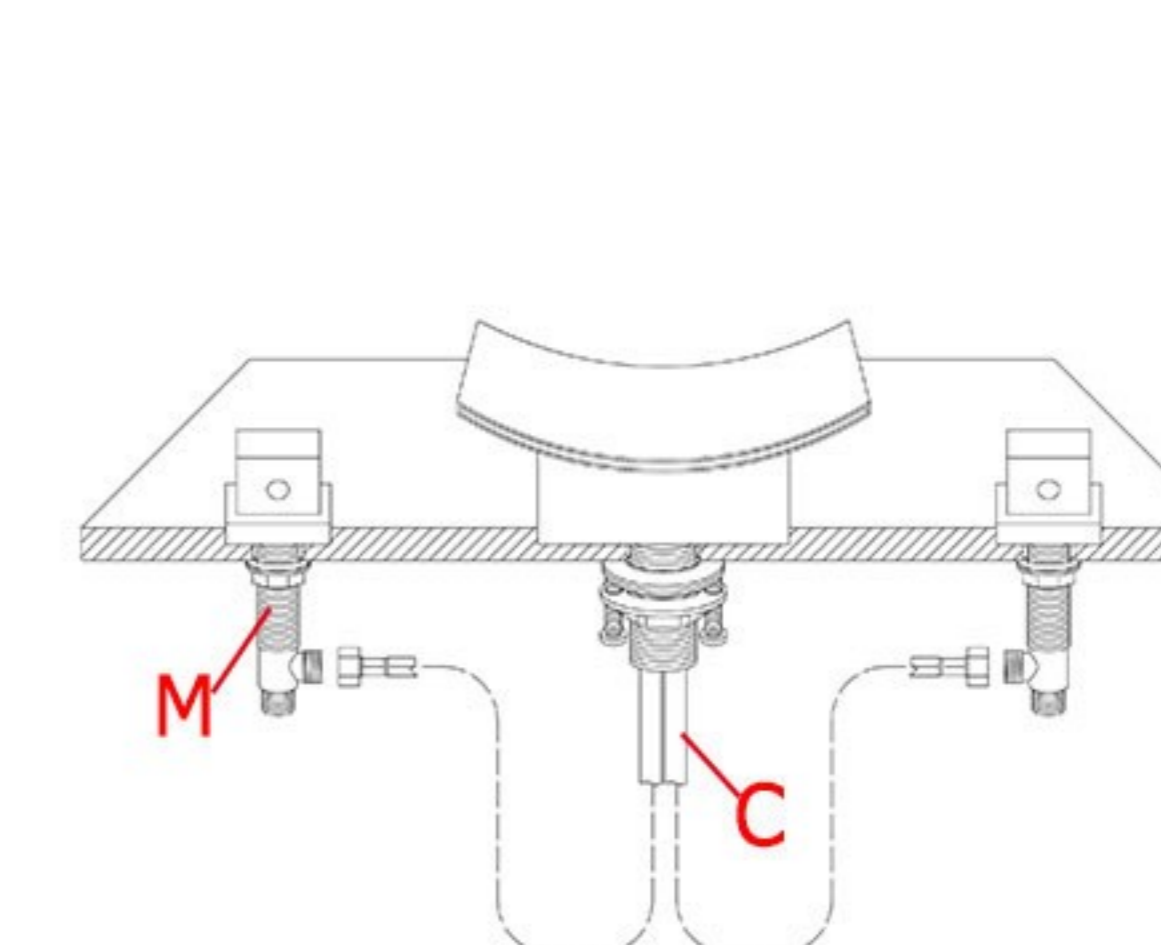
2. Insert the spout (A) with the hot/cold waterlines (C) into the hole on the countertop as shown. Feed the waterlines through the big rubber washer (E), metal washer (F) and big mounting nut (G). Secure the spout by tightening the big mounting nut (G).



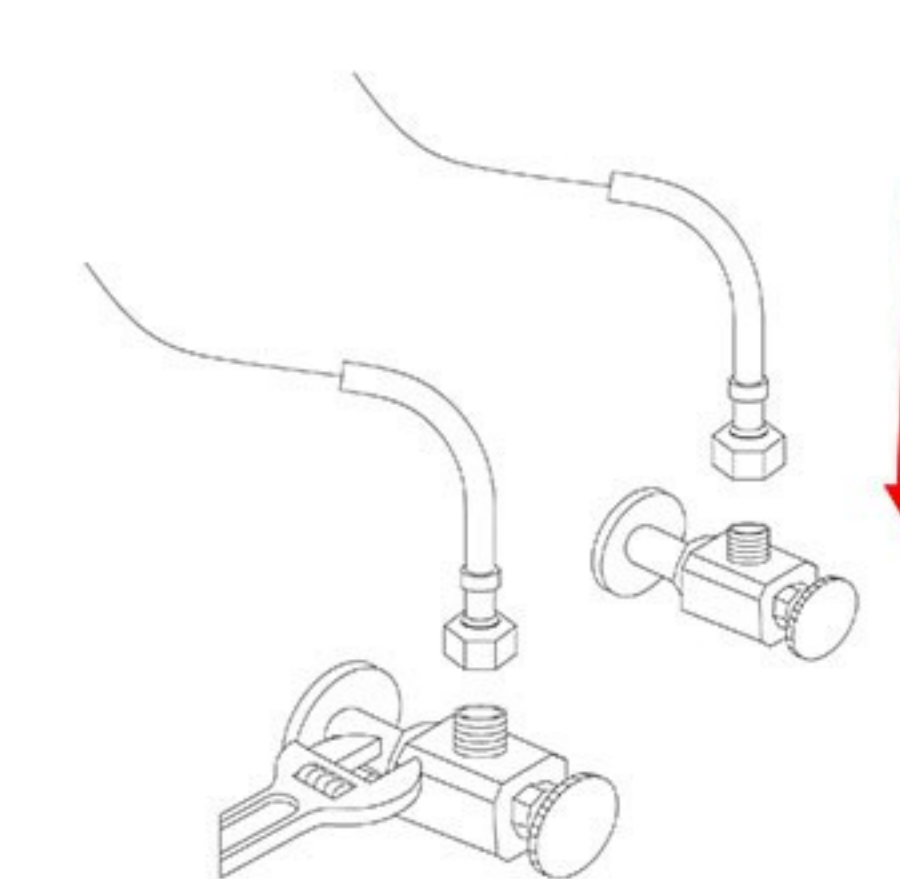
3. Insert the hot/cold water valves (M) upwards to the side holes on the countertop, and fix them with small rubber washers (N) and small mounting nuts (O). Screw up the decor covers (L) onto the hot/cold water valves.



4. Put the handles (H) onto the hot/cold water valves (M) and secure them by screwing the set screws (I) with the Allen key (J). Insert the indication buttons (K) into the holes on the handles.



5. Connect the other end of the hot/cold waterlines (C) to hot/cold water valves (M) as shown. Connect your water pipes to the bottom of the hot/cold water valves.



6. Install the other end of your water pipes to the corresponding water supply joints (not included) with an adjustable wrench (not included).

## Troubleshooting

Problem	Possible Cause	Corrective Action
Water does not shut off completely.	1. O-ring is not seated correctly or worn. 2. Cartridge may be defective.	1. Reseat or replace O-ring. 2. Replace cartridge.
Leaks at waterline connection.	1. Worn or broken washer. 2. Faucet body may be defective.	1. Replace washer. 2. Replace faucet (contact us for the replacement).
Leaks from handle.	1. Cartridge may come loose. 2. Cartridge may be defective.	1. Reseat cartridge tight. 2. Replace cartridge.
Leaks at hose connection.	1. Hose connection is loose.	1. Tighten hose. 2. Replace hose.
Leaks at shower valve connection.	1. Connection may come loose or not sealed completely. 2. Defective shower valve inlet or outlet connector.	1. Check connections. 2. Replace valve body.
Diverter knob does not work.	1. Diverter cartridge may be defective.	1. Replace cartridge.
LED light does not Light or noisy LED showerhead.	1. Defective LED generator.	1. Replace LED spray head (for kitchen faucet). 2. Replace LED threaded pipe (for separate faucet spout). 3. Replace LED generator (for others).
Low flow.	1. Check for water pressure problems. 2. Aerator may be dirty or clogged.	1. Clean or replace the aerator. 2. Remove waterflow restrictor if available. 3. Install booster or pump (if applicable).