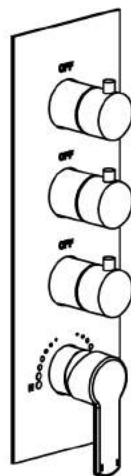
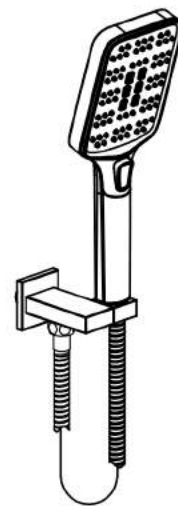
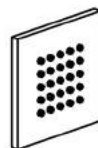
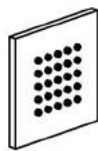
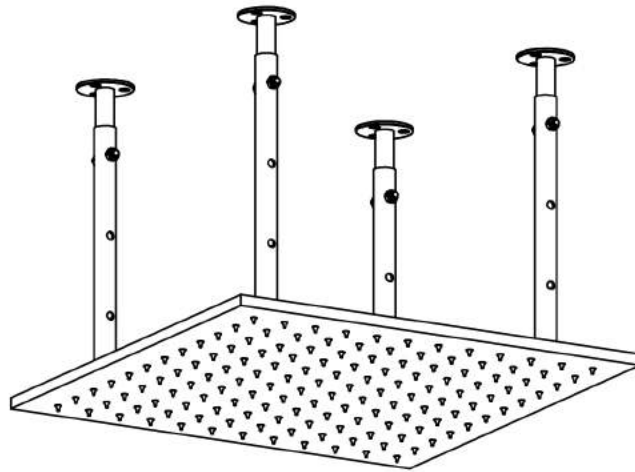


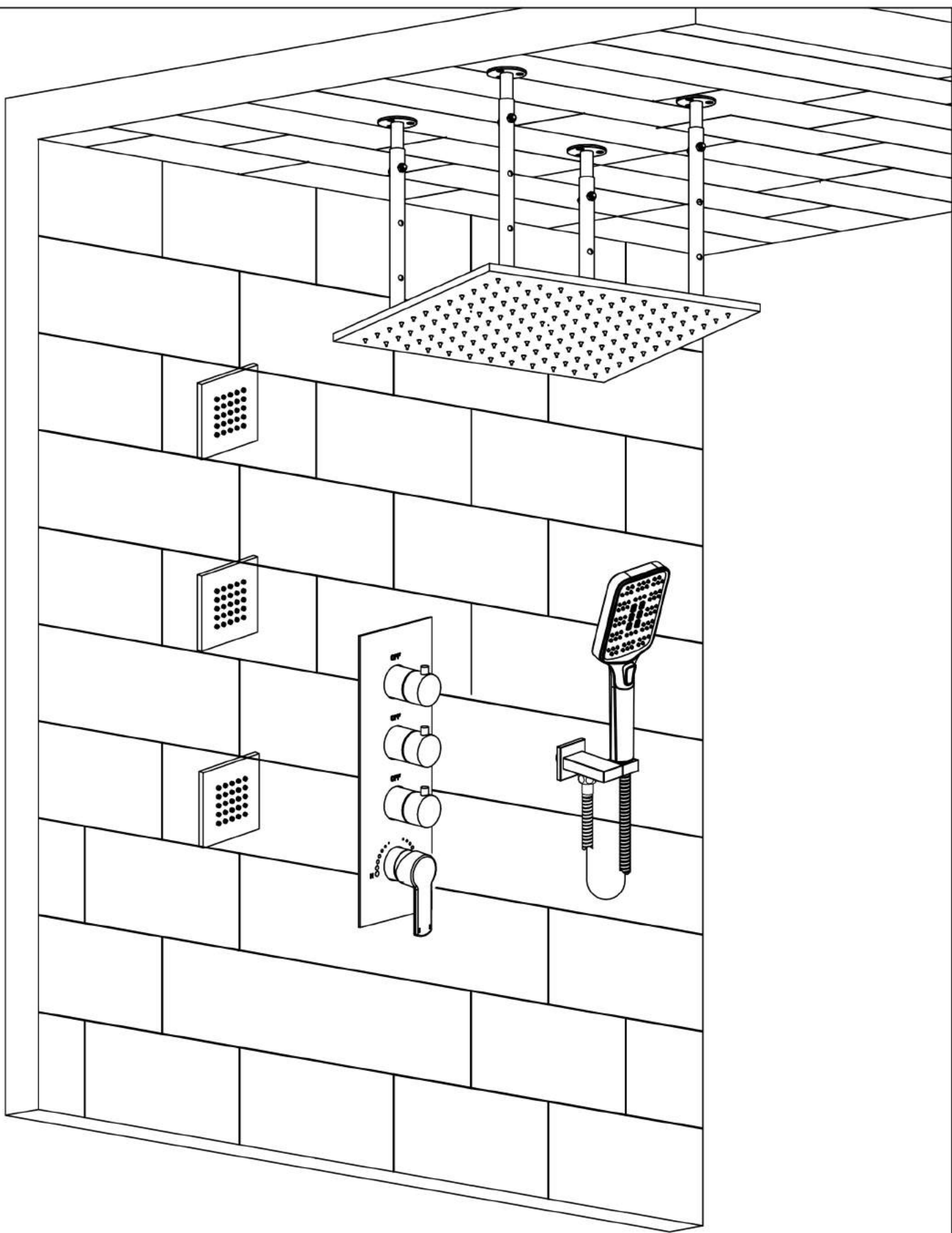
3-way Thermostatic Shower System Installation Manual



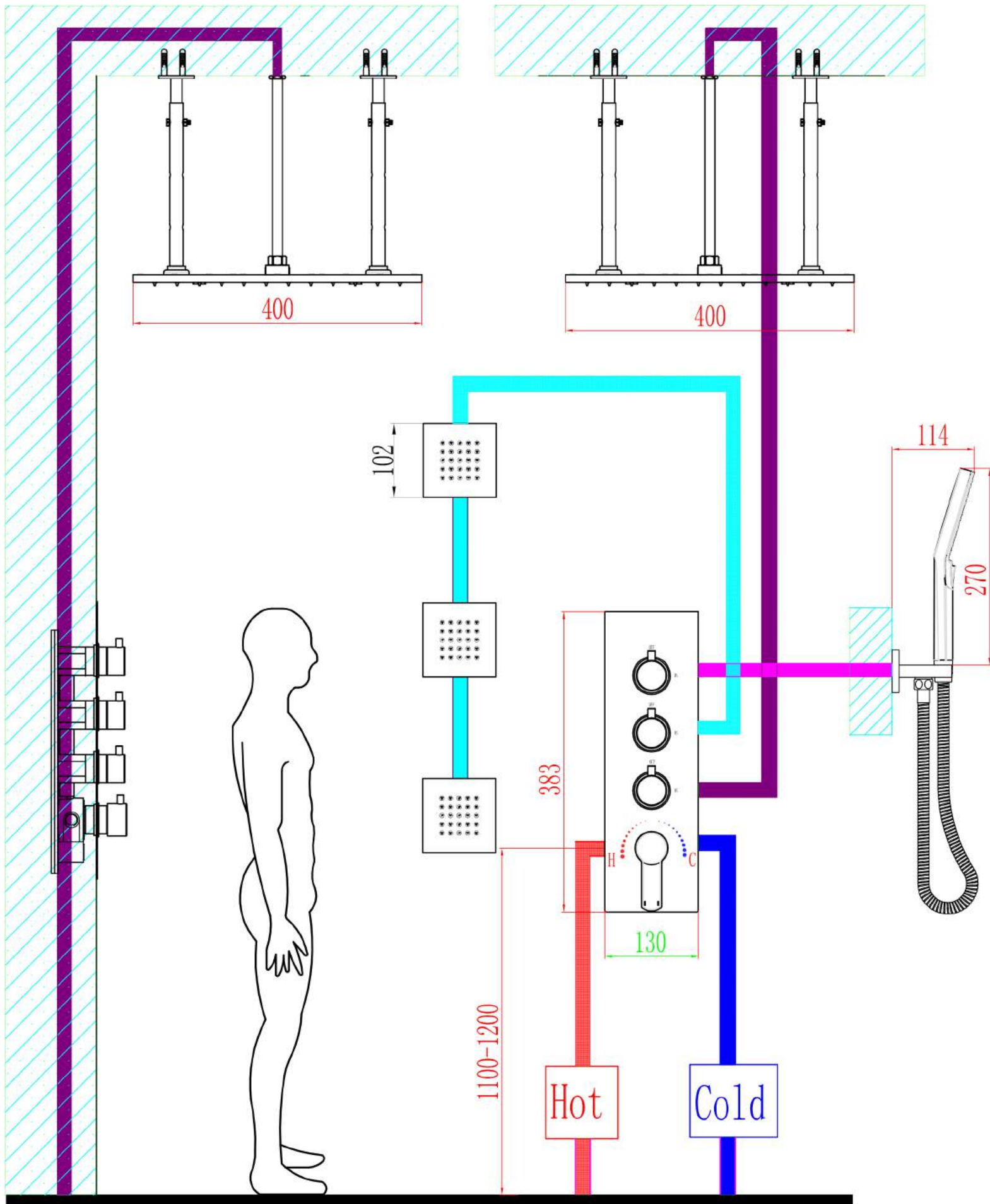
3-way Thermostatic Shower System Installation Manual

Precautions and Maintenance

1. In order to ensure the durability of the product, please be as gentle and slow as possible during operation.
2. Clean the filter regularly.
3. When the shower is used for a long time and water is found to flow out intermittently there must be debris blocking the water outlet. At this time, you only need to gently touch & clean the soft rubber tips on the shower, then the debris will be automatically rushed out.
4. If any dirt on surface, clean with soft liquid or transparent glass detergent, then rinse it with soft water, finally gently wipe it with a dry soft cloth.
5. Do not use any scrubbing detergent, polisher, sand -cloth, paper tissue or scraper.
6. Do not use acid detergent, insoluble & grain-like detergent or soap.
7. If you will not use the shower for a long time, please close the main water inlet valve in your home.
8. When the ambient temperature is under 0°C/32° F, please take necessary measures to keep the water equipment warm.



WATER PIPE INSTALLATION GUIDE



Unit: mm

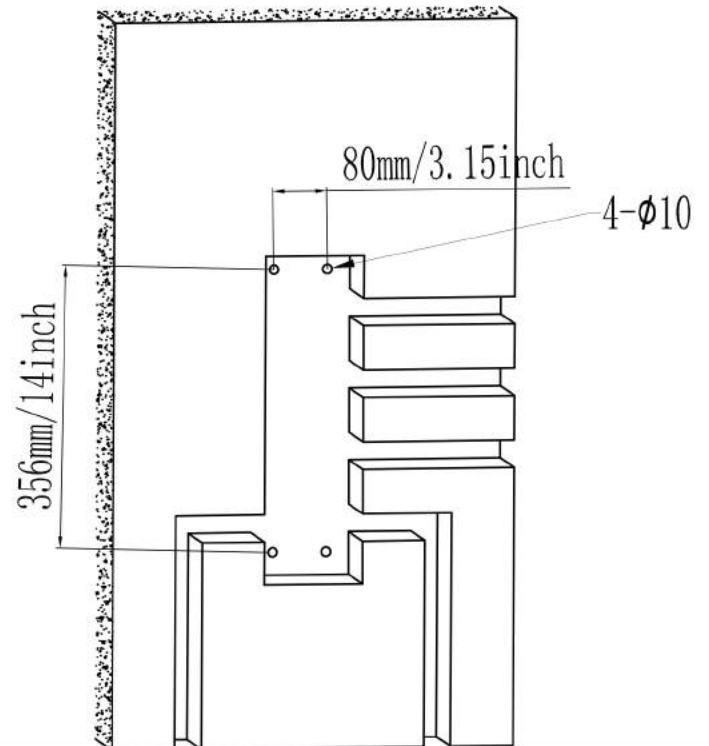
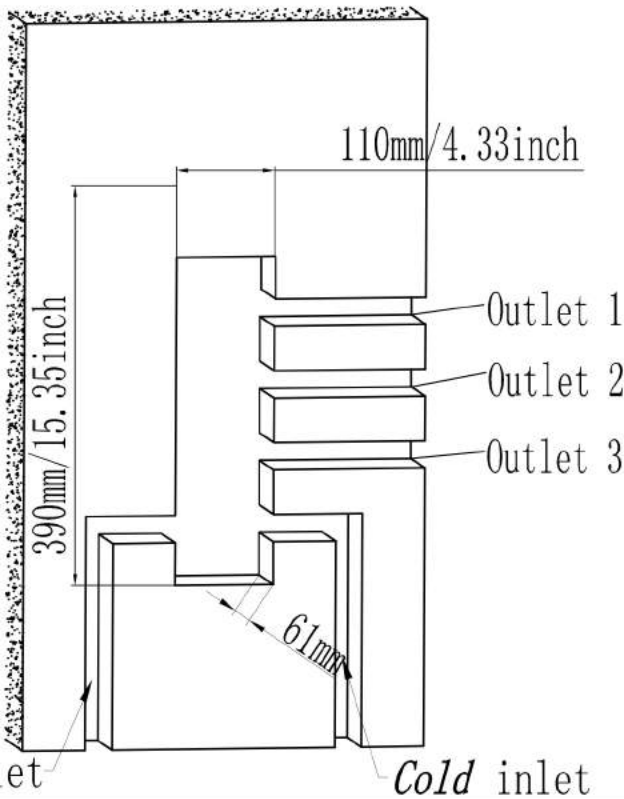
█ Hot Water

█ Cold Water

█ Mixed Water

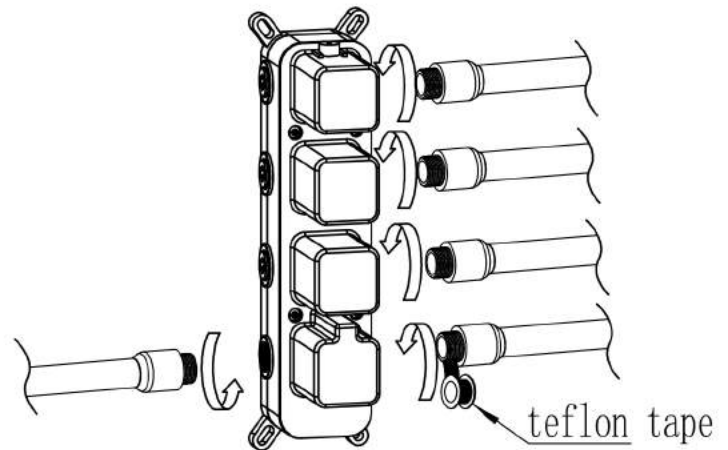
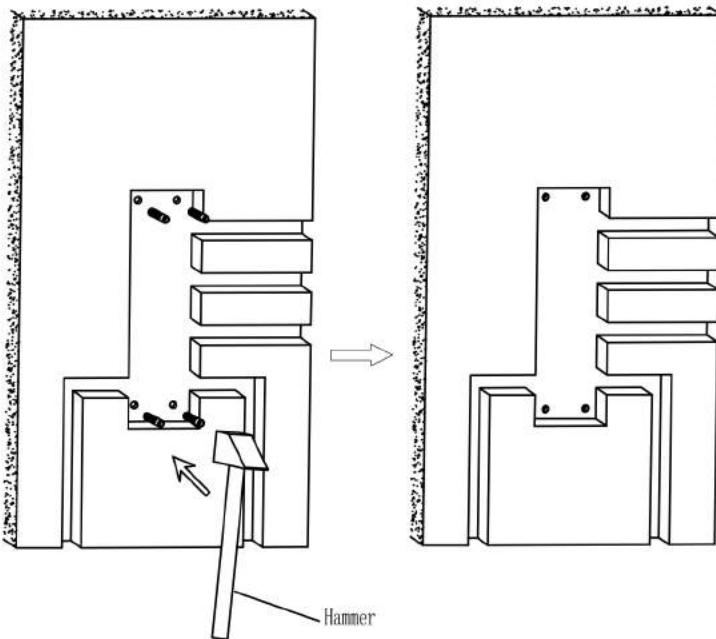
█ Mixed Water

█ Body jets circulation pipe



1. Turn off the water supply. Determine pipe length and depth. Set up the waterlines properly based on the actual condition. The above diagram for plumber reference (Must pay attention-left is hot, right is cold.)

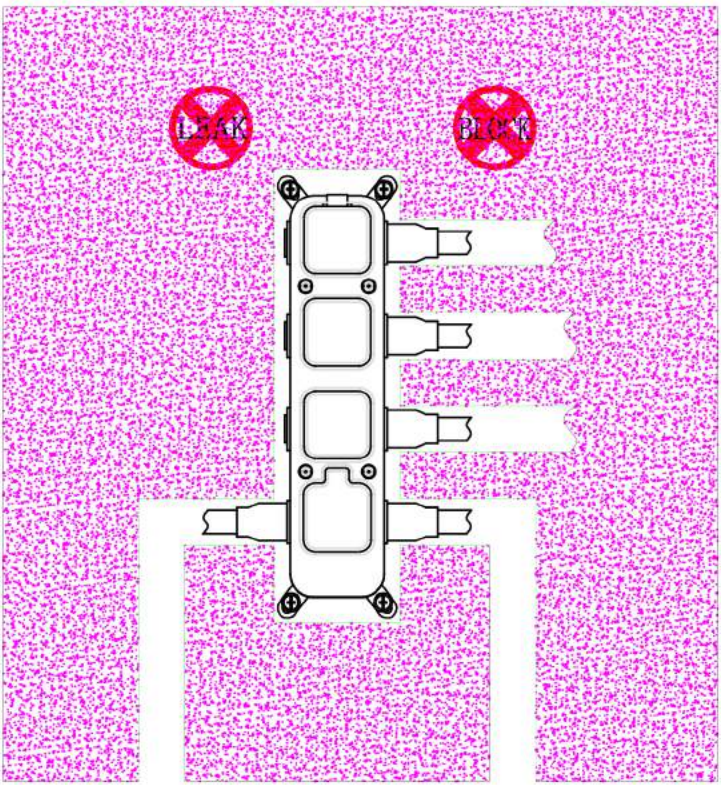
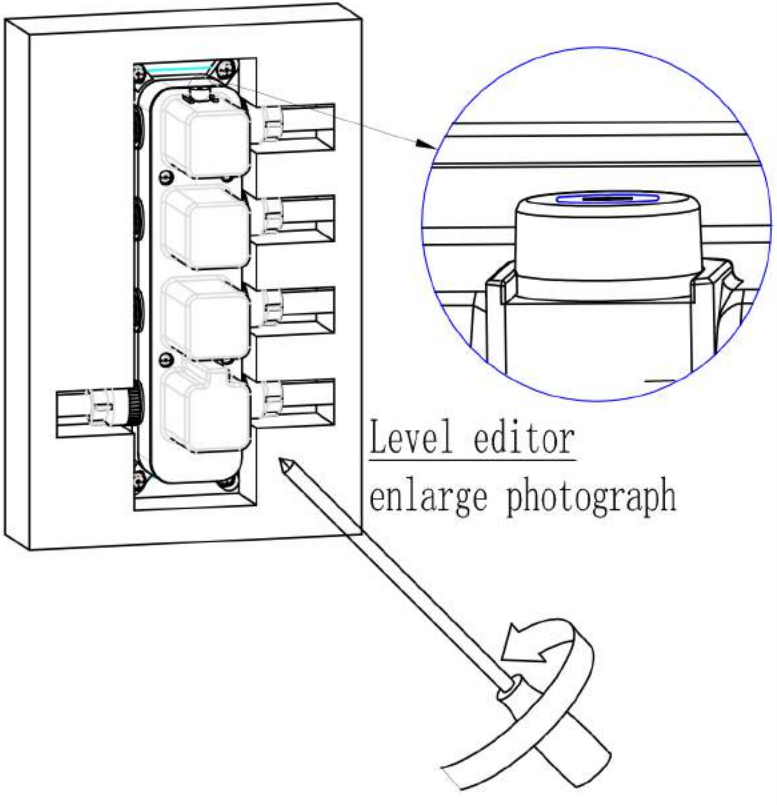
2. Drill 4 positioning holes for the valve body. The above diagram for your reference.



3. Hammer the 4 expansion screws into the holes.

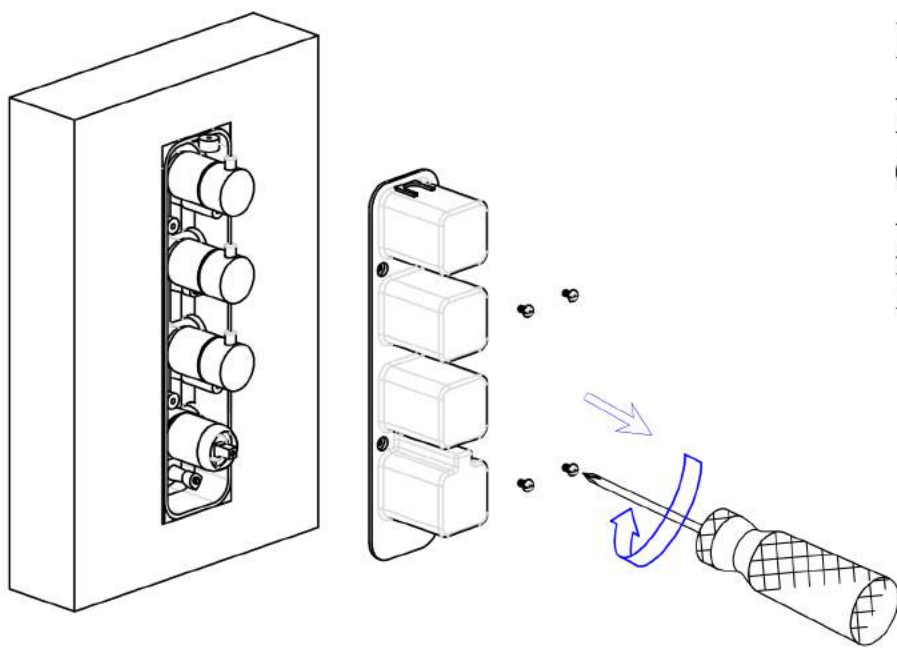
Note: Please flush all pipelines to ensure that there is no debris such as downstream sand and gravel before connecting the shower.

4. Wrap hot & cold supply water pipes (not provided) and other water outlet pipes (not provided) with teflon tape and screw tight by locking plier to ensure watertight seal.

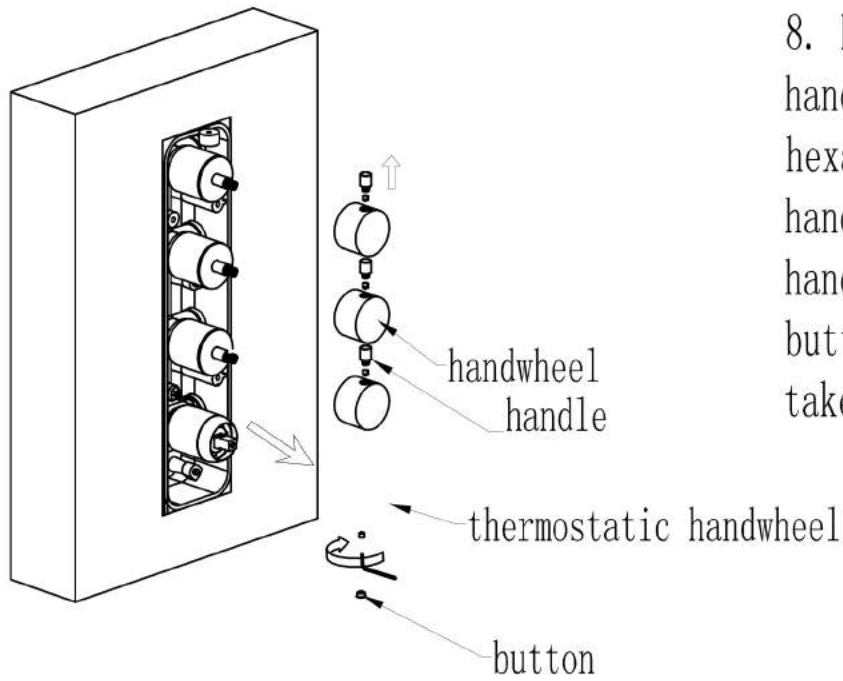


5. Adjust the embedded body (have connected all pipes) on the horizon line, and then screw the expansion bolts into fixed male screws to fix the embedded body.

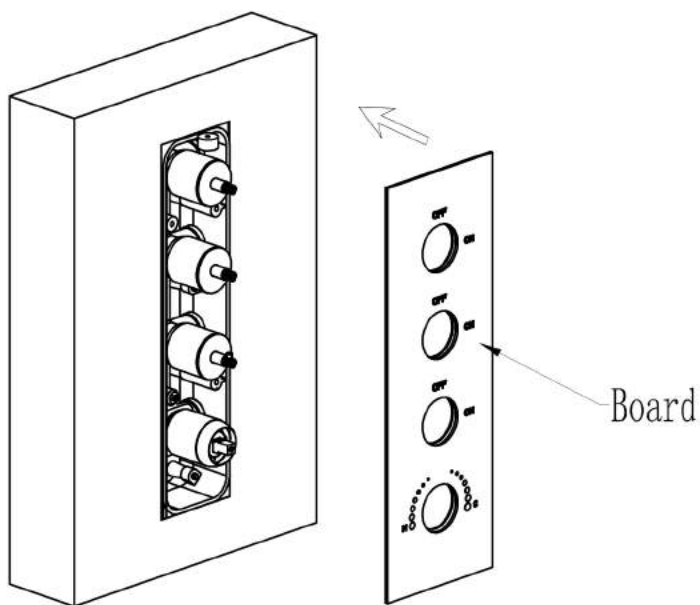
6. Connect the hot/cold inlets and outlets properly. Open the water supply to check and test, ensure there is no leakage or blockage at each connection. At last, seal the wall.



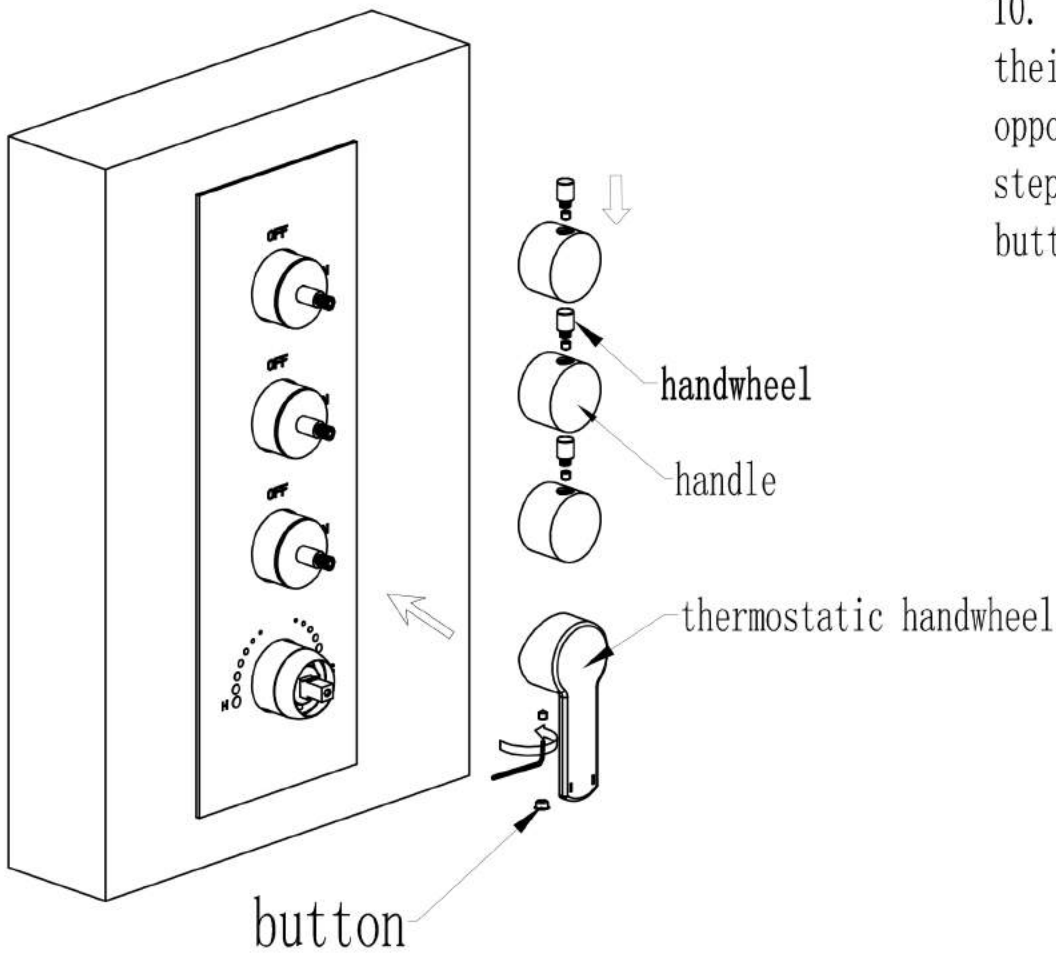
7. Use a phillips screwdriver to loosen the four M5 screws of the protection box at counterclockwise direction and then take out the protection box. And then turn the handles all upwards like the picture



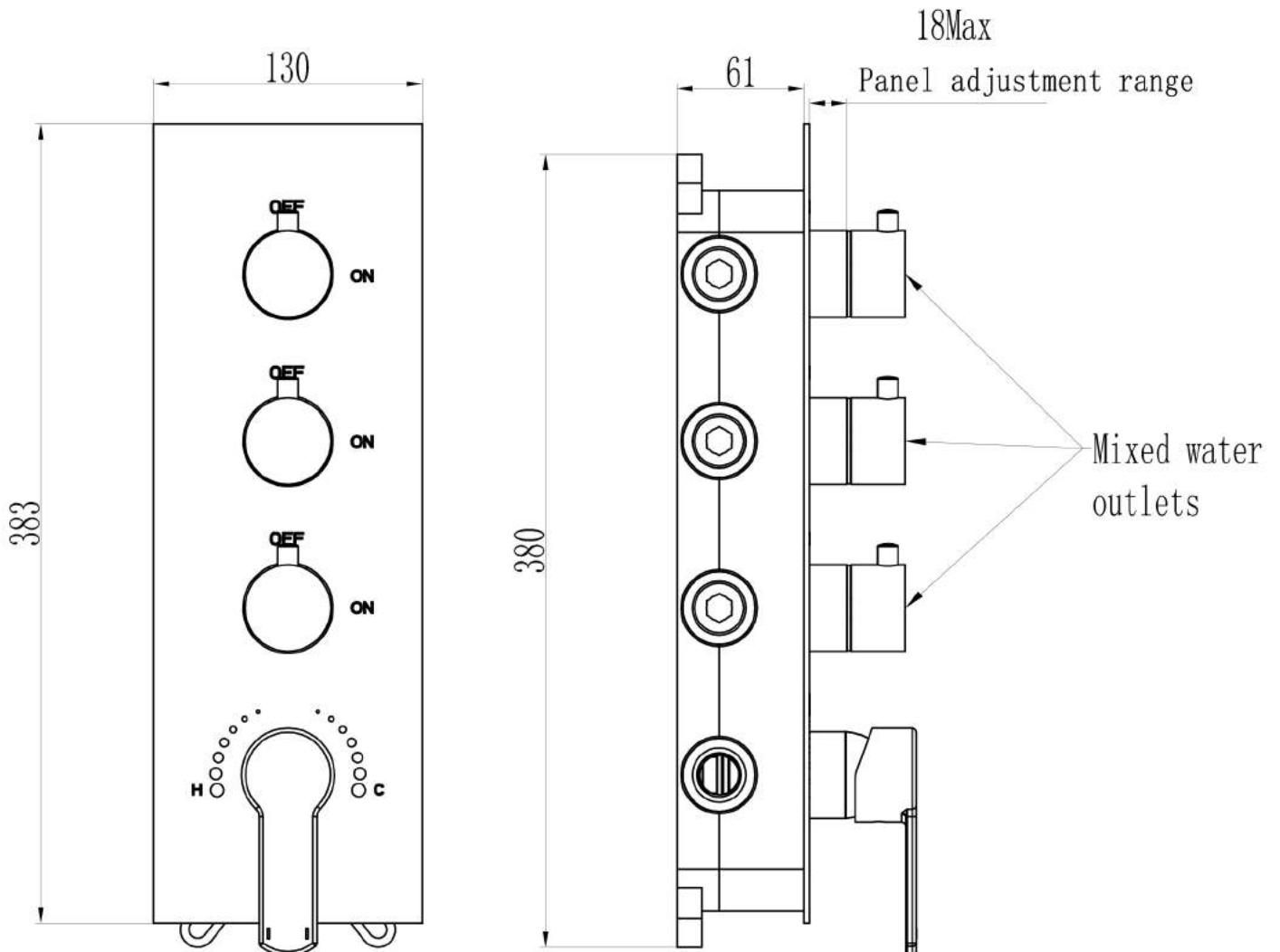
9. Fix the board onto the Embedded body on the balance

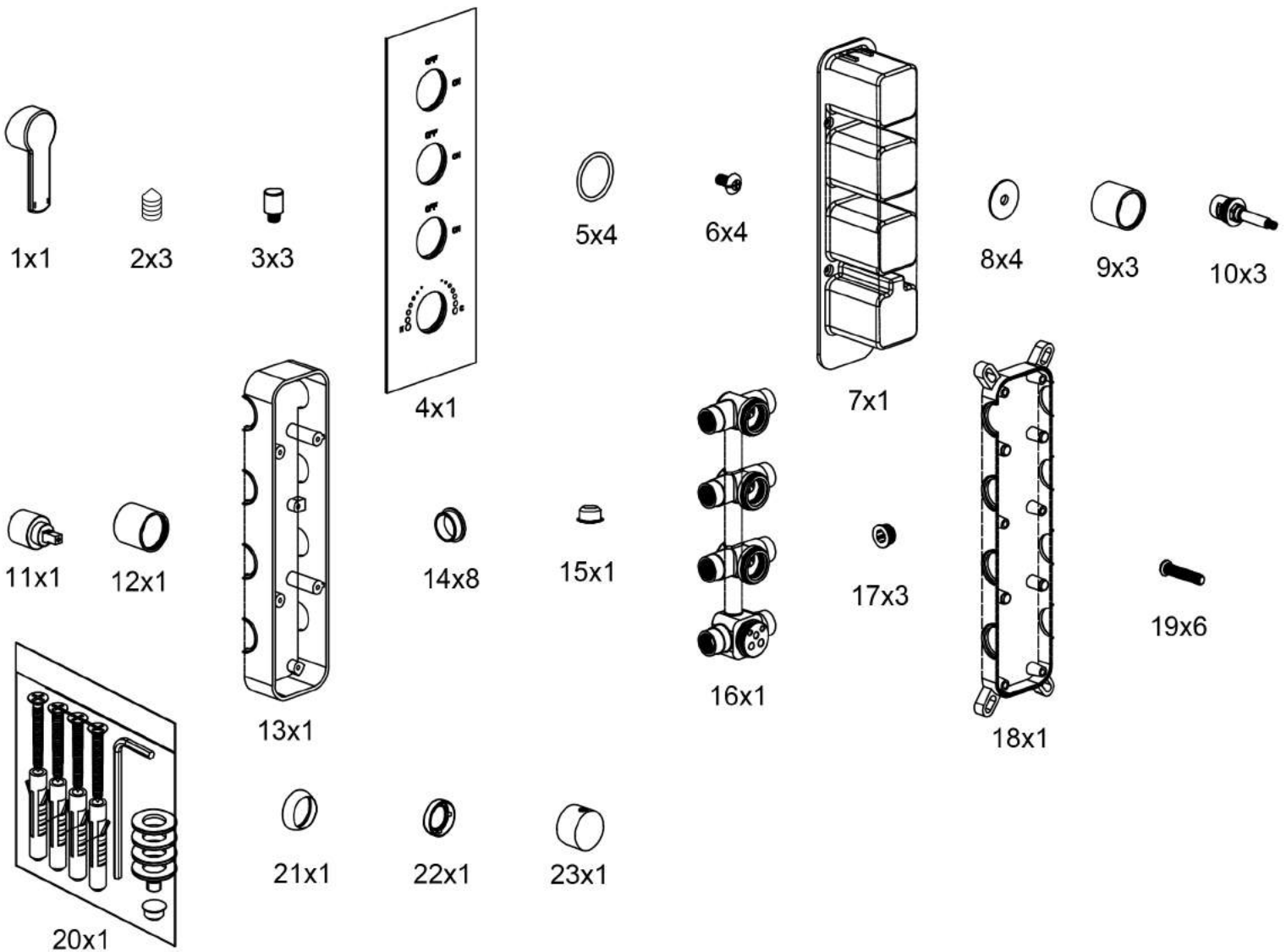
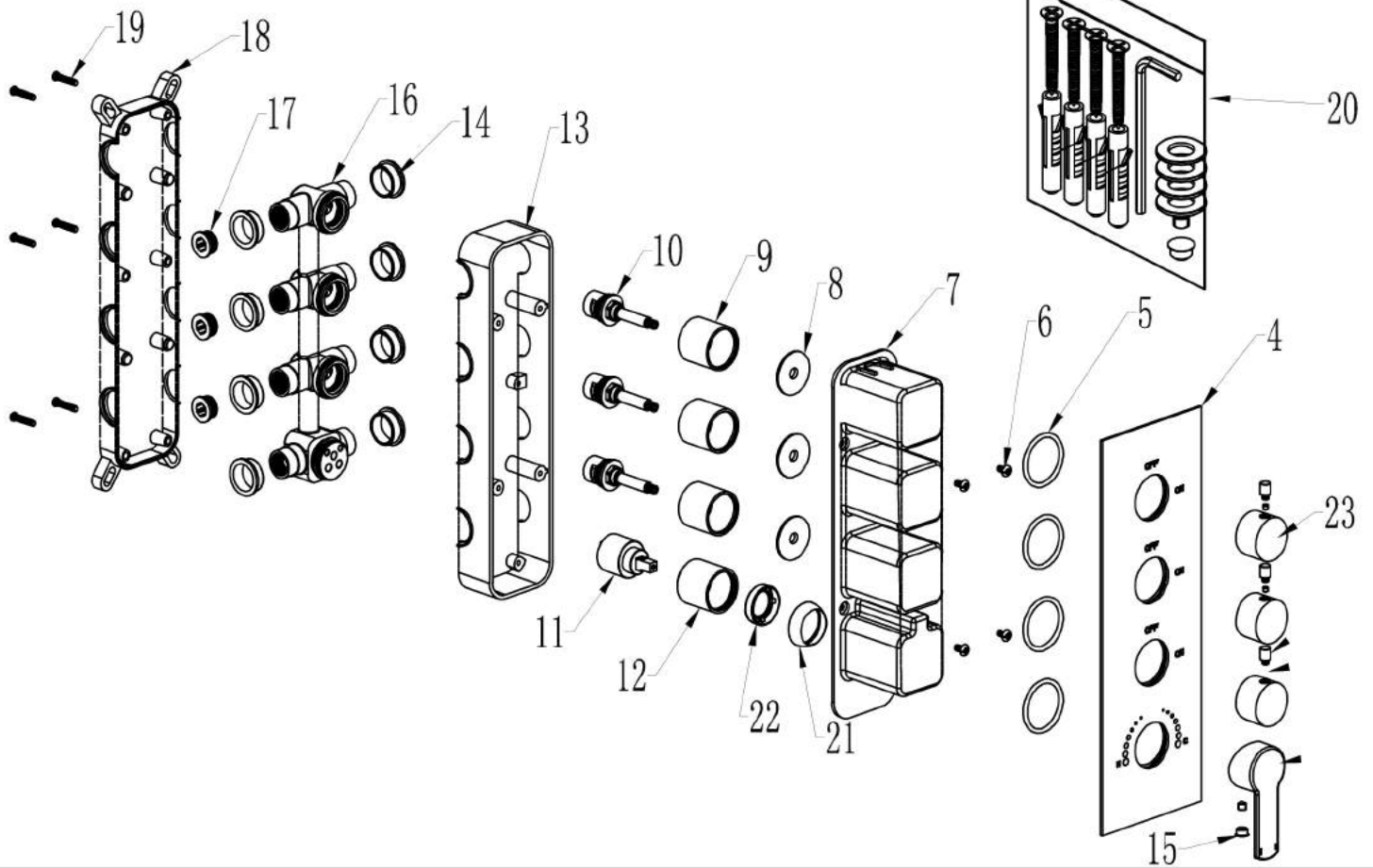


10. Install the handwheels and their hot and cold handle by the opposite direction as the 7th step. And don't forget the button.

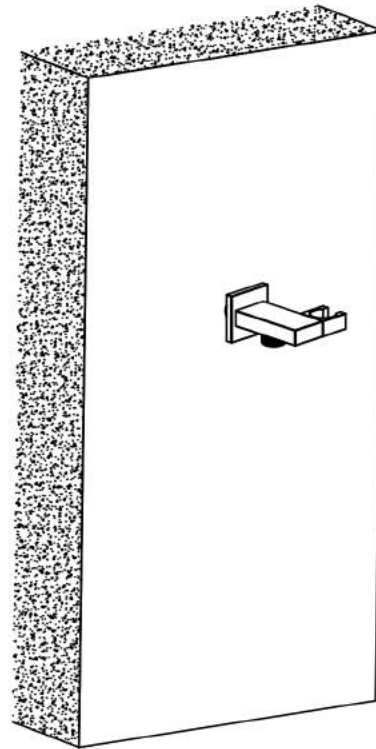
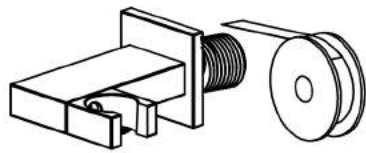


Amplification



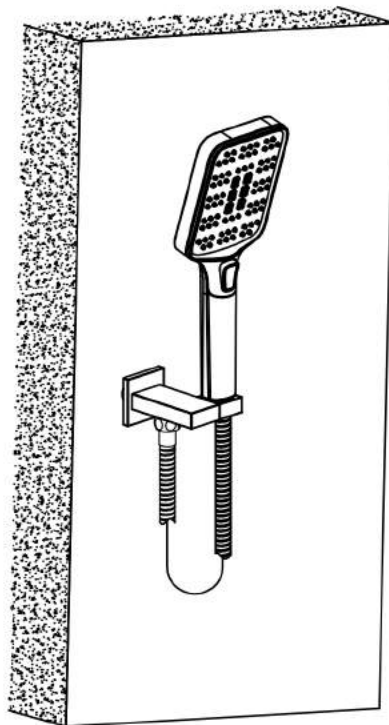


Installation Steps of Hand Shower



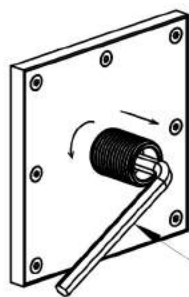
1. Wrap the sealing tape around the connector

2. Install the shower holder on the water inlet and tighten it clockwise.

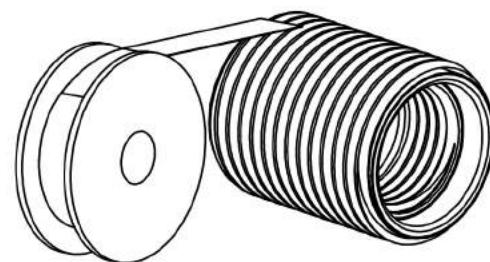
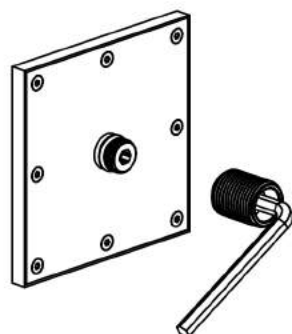


3. Connect the hand-held shower with the shower holder with the shower hose.

Installation Steps of Body Jets

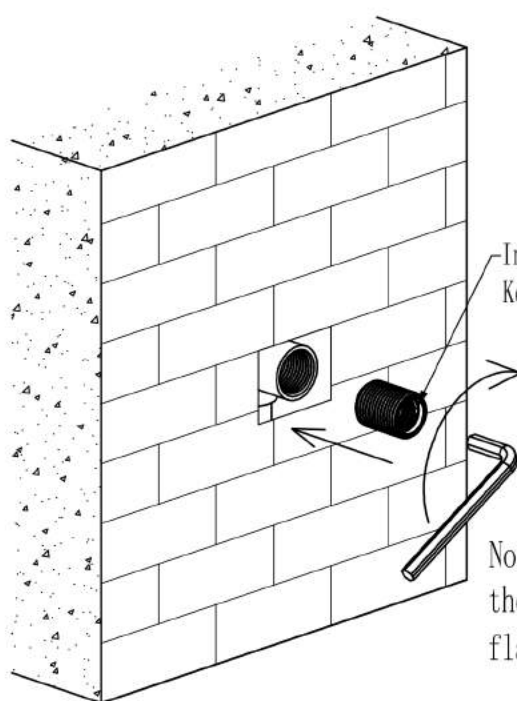


Wrench (don't support)



1. Use a wrench or your hand to remove the threaded tail at counterclockwise .

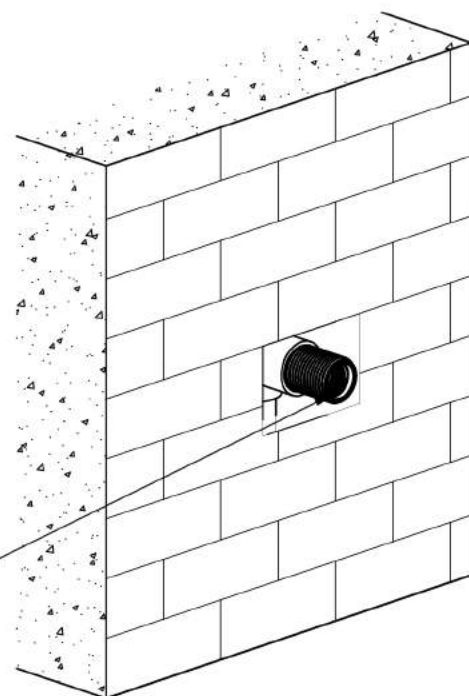
2. Apply teflon tape to threaded tail of the body jet to ensure a watertight seal.



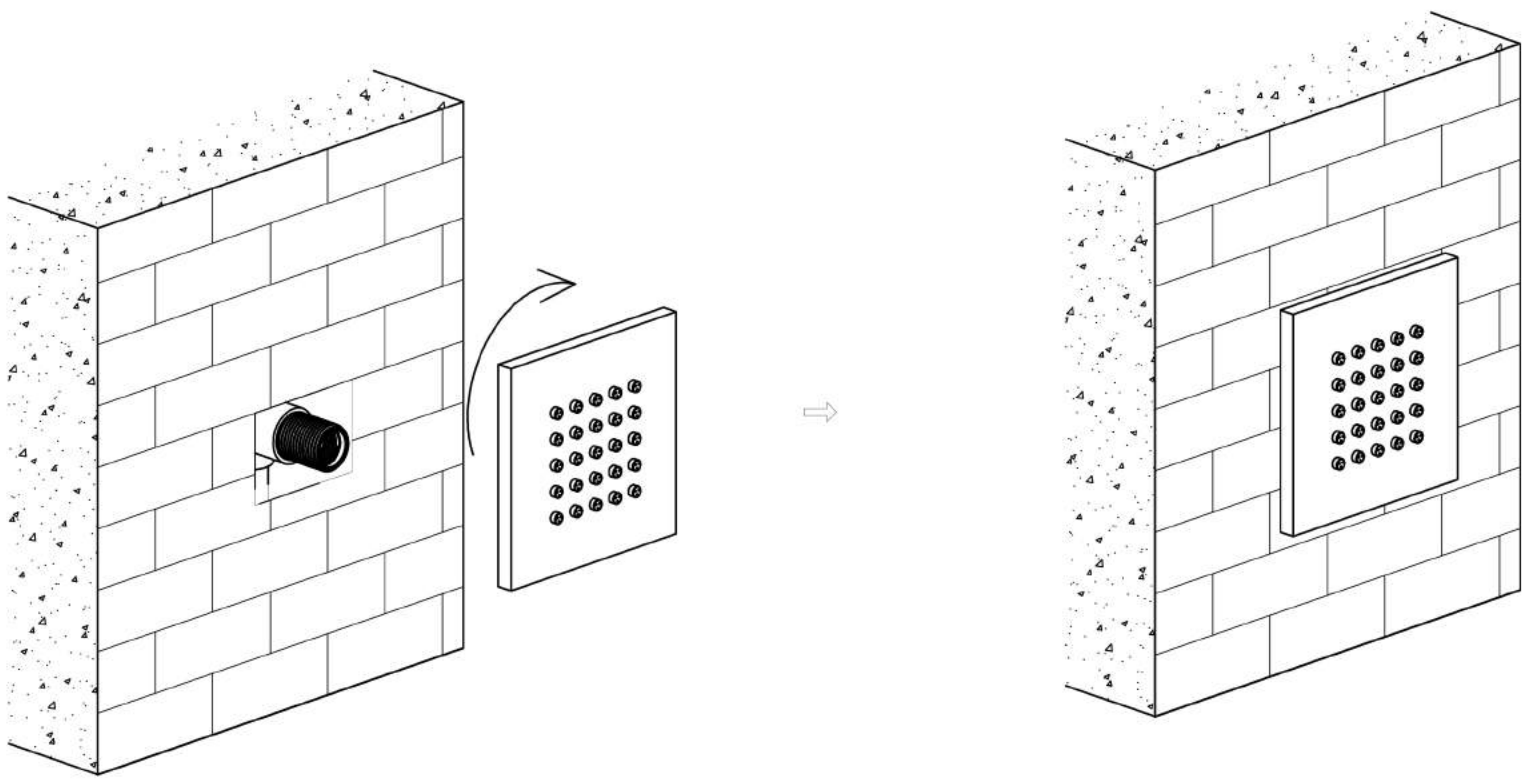
Internal thread facing outward
Keep flat with the wall Tiles



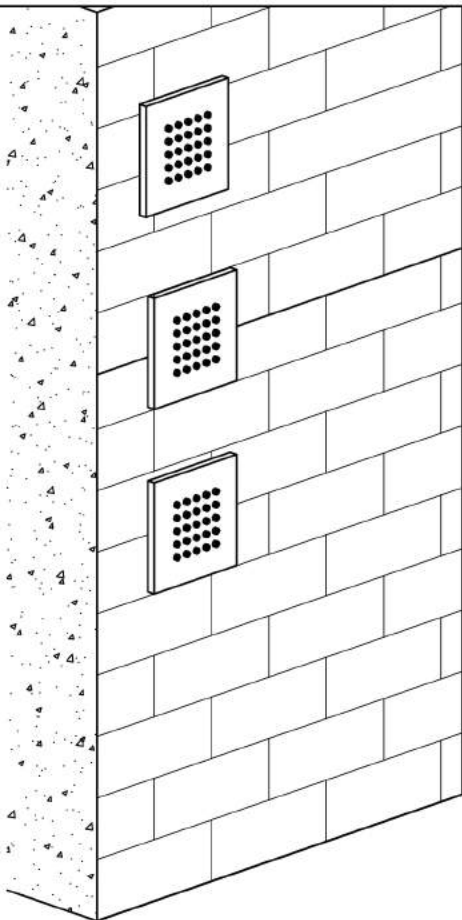
Note: Please make sure that
the threaded tail would keep
flat with the wall/ceramics
before installation.



3. Use a wrench to rotate clockwise to install the threaded tail on the wall side spray joint (Note: one end with Internal thread facing outward).

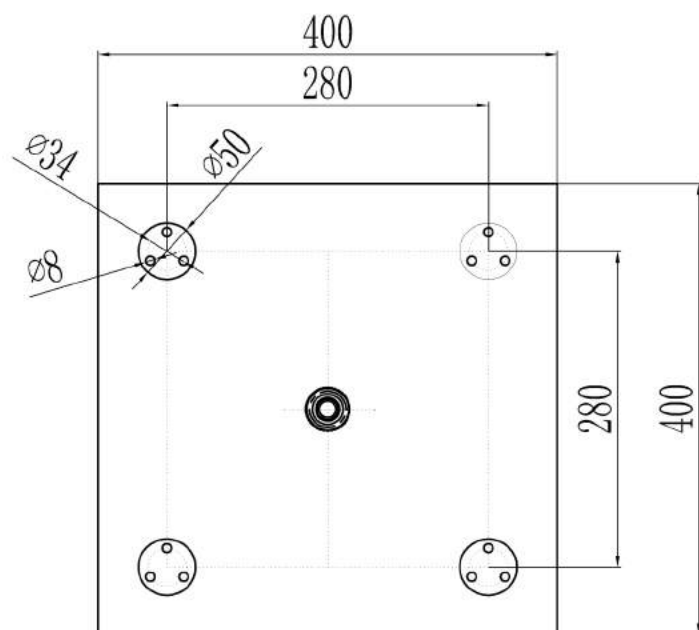
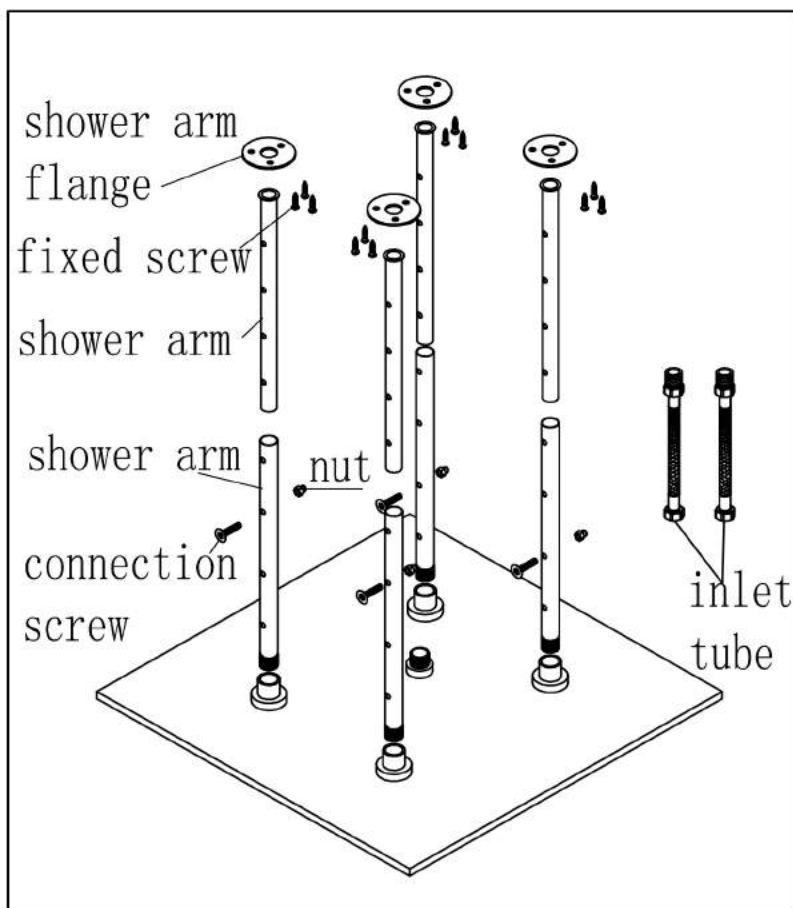


4. Tighten body jet onto the threaded tail at clockwise .



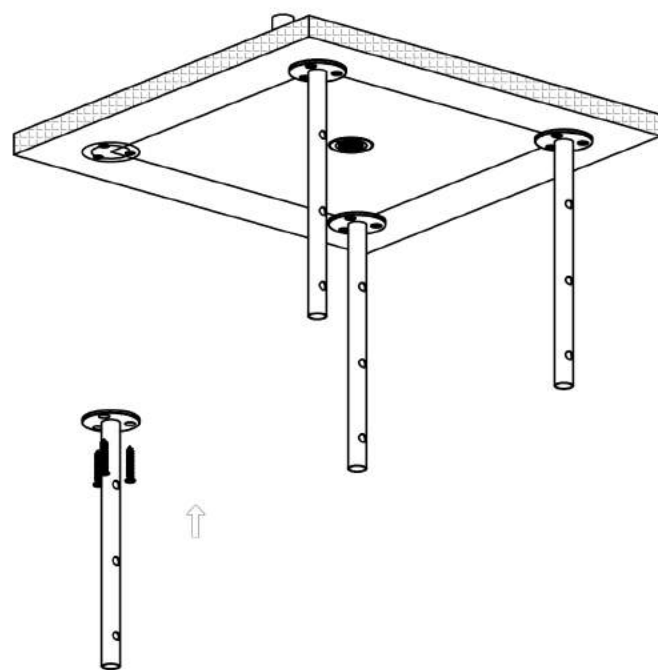
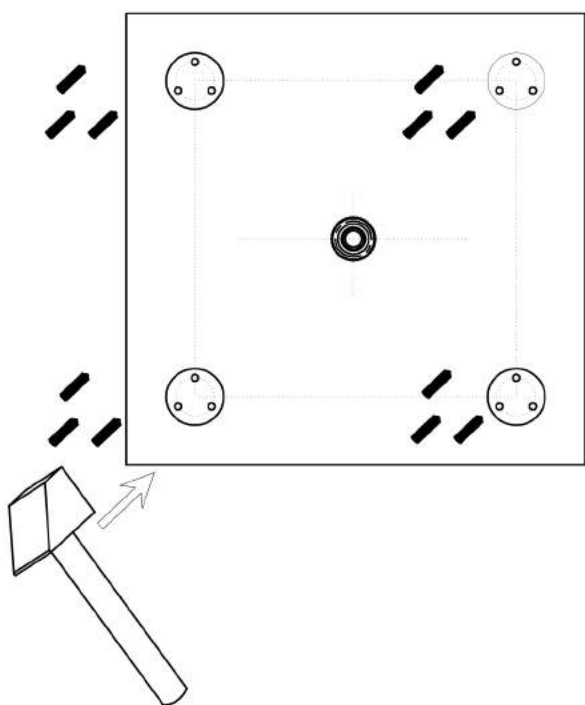
5. Install the remaining body jets according to the previous steps.

Installation Steps of Ceiling Mount Shower Head



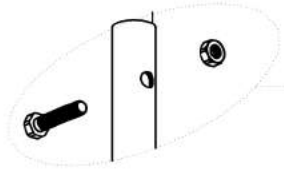
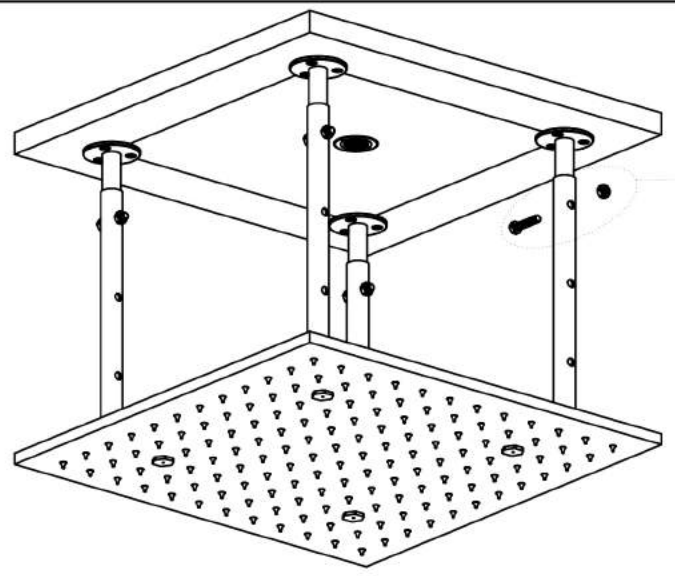
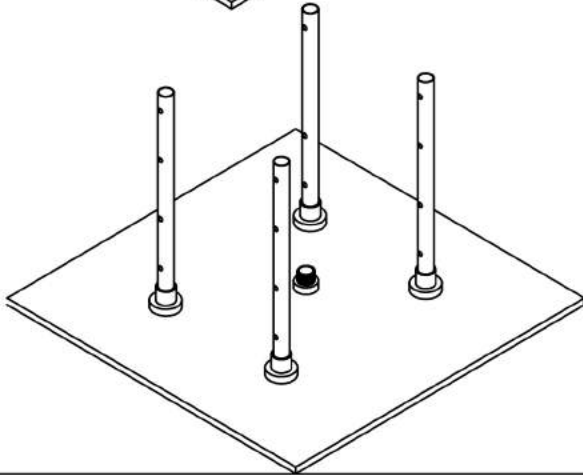
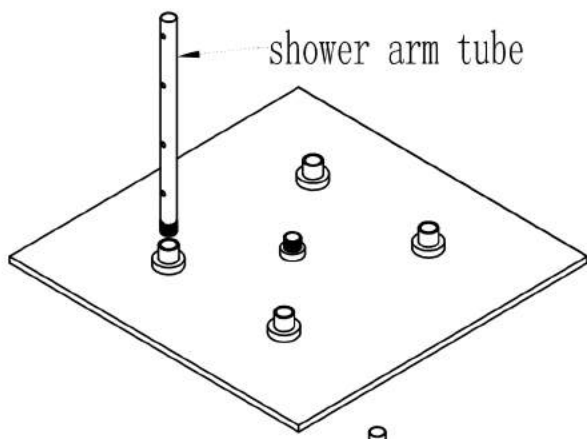
1. Accessory list

2. Draw positioning holes on the ceiling.
Then drill the holes according to the actual size. ($\phi 8 \times 12$)



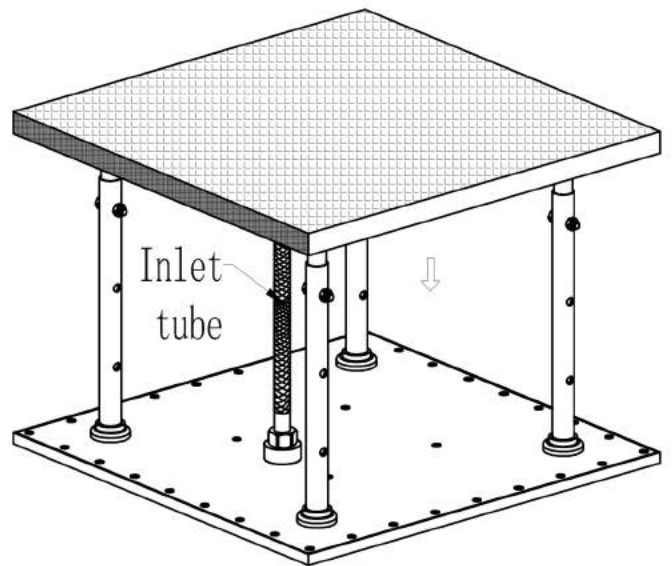
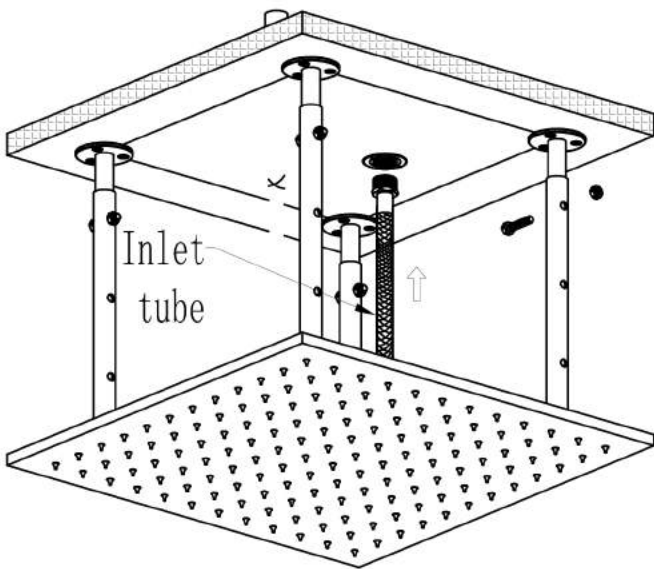
3. Hammer the expanded screw in the 12 drilled holes.

4. Fix the assembly to the ceiling wall with self-tapping screws



5. Screw the shower arm onto the showerhead

6. Sleeve 2 arm tubes together, connect them with screws.



7. Connect the water tube. One end connect to shower head, the other to the inlet supply.