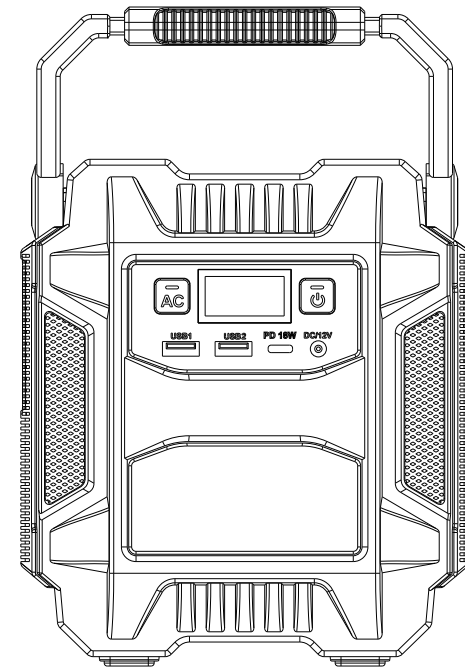


# Gofort

## Portable Power Station



## User Manual

## Warranty Card

Warranty Period	12 months from the date of purchase		
Purchase Date	Year	Month	Day
Product Name	A201		
Brand	Gofort		

Thank you for buying from Gofort

If you have any questions or need technical support, please contact us directly via the follow contact details.

When you apply for a return or replacement, please remember to provide us some pictures or a video regarding the exact issue of the product. So that we can handle the after-sales service for you in the first time.

**Email: [info@gofortpower.com](mailto:info@gofortpower.com)**

**Website: [www.gofortpower.com](http://www.gofortpower.com)**



Gofort warrants our products to the original purchaser that the solar panel is free from defects in materials and workmanship. You can choose between a refund or replacement where goods are faulty or doesn't do what is supposed to do for 12 months from the date of purchase.

Damages from normal wear and tear, alteration, misuse, neglect, accident, service by Warranty anyone other that authorized service center are not included.



Made In China

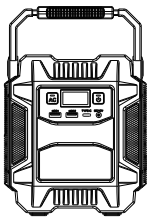
## Important Information

### CAUTION

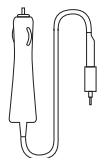
When using this product, you should always follow the basic precautions as follows:

1. The first time to use or before storing, connect the product to the power outlet until it is fully charged. If the screen shows that the power is less than 10%, Please charge it as soon as possible.
2. In order to reduce the risk, if using this product when children are nearby, close supervision is required;
3. Using the accessories recommended or sold by non-professional product manufacturers may cause the risk of electric shock;
4. When the product is not in use, please pull the power plug out of the product socket;
5. Please do not disassemble the product, it may cause fire, electric shock or injury risk and unpredictable risk;
6. Do not use damaged wires or plugs, or damaged output cables to use the product, as there is a risk of electric shock;
7. Please charge the product in a well-ventilated place, do not restrict the ventilation of the product in any way;
8. It's not waterproof. Please place the product in a ventilated and dry place to avoid rain and water, and there is a risk of electric shock when the product enters the water;
9. Do not expose the product to fire or high temperature. Exposure in fire or temperatures higher 130°C may explode;
10. The speed of solar charging depends on weather conditions, place your solar panel where it can get as much direct sunlight as possible.

## Packing list



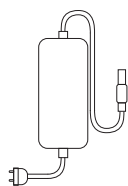
Portable power station



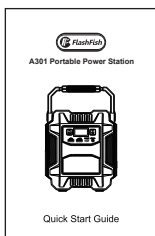
car charger



car charger



AC adapter



instruction manual

## Troubleshoot

If your devices can not be powered/charged successfully with the battery, please check the following steps:

1. Make sure all the outputs have been turned on
2. Check the battery level, if battery level less than 10%, please charge the battery first
3. The rated power of AC is 200W(Peak 400W), DC rated 166W total, please make sure the devices you run on the battery, do not exceed the rated power of the outputs
4. Check whether the device charging cables are plugged in the battery well

## How to Use the Product

1. Before using it for the first time, please fully charge the product. The product can be charged through the DC input port and the Type-C port, and the two charging ports can be input at the same time.
2. USB-1, USB-2 and Type-C are plug-and-play, can be automatically recognized and charge the corresponding device without a button to start.
3. For DC output, press the Power ON/OFF button first, when the LED display is on, press the power button again, when the display shows DC OUT, then you could use the DC power.
4. Long press the AC power button to start or stop the AC output. The power rated 200W(110V peak 600W), if the peak power is exceeded, the product will automatically turn off the power supply to ensure that the product is overloaded and not to be damaged. When the AC output power reaches higher than 200W, in order to meet the priority of the AC output power supply, the DC output ports will close the output.
5. Click the LED light button, the LED light will switch cyclically in the four states of read light low/high, SOS, spotlight
6. If the product is not used for a long time, it should be charged fully at least every 1 month before storing. The product should be stored in a cool and dry place.

**The battery will automatically turn off after 5 seconds if it is not in use**

**When the AC port is not in use, it should be turned off manually(long press AC button) to save power and can reduce unpredictable risks.**

## BUTTON DESCRIPTION

### Power ON/OFF Button:

1. Short press to turn screen on  
(Both USB-1, USB-2 and Type-C are plug-and-play, can be automatically recognized and charge the corresponding device without a button to start)
2. Short press again to turn DC power on
3. long press 3 seconds turn off the A201

### AC Power Button:

1. To turn on the battery first by pressing the Power ON/OFF Button
2. Then long press the AC Power button for 3s to turn on AC power
3. Long press for 3s again to turn it off

### LED Light ON/OFF Button:

#### 1. Read Light Mode:

- (1) Short press the button the 1st time - LED read light low mode
- (2) Short press the LED Button the 2nd time - LED read light high mode  
(long-press 3S can turn off the light on any mode)

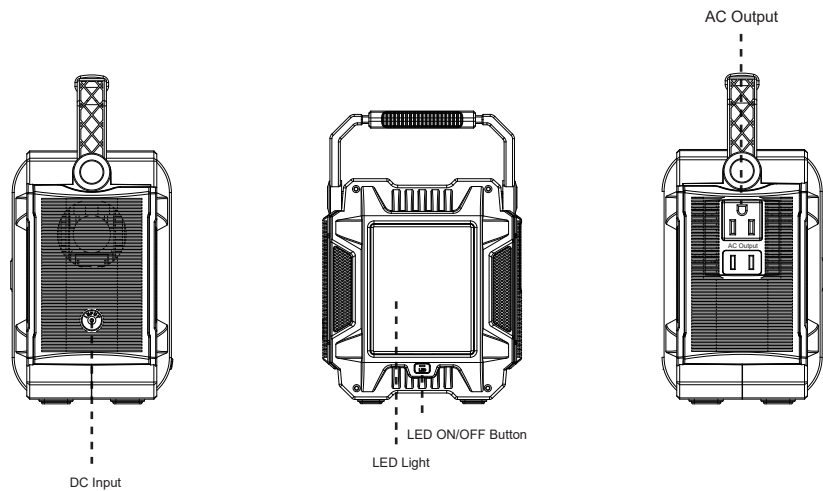
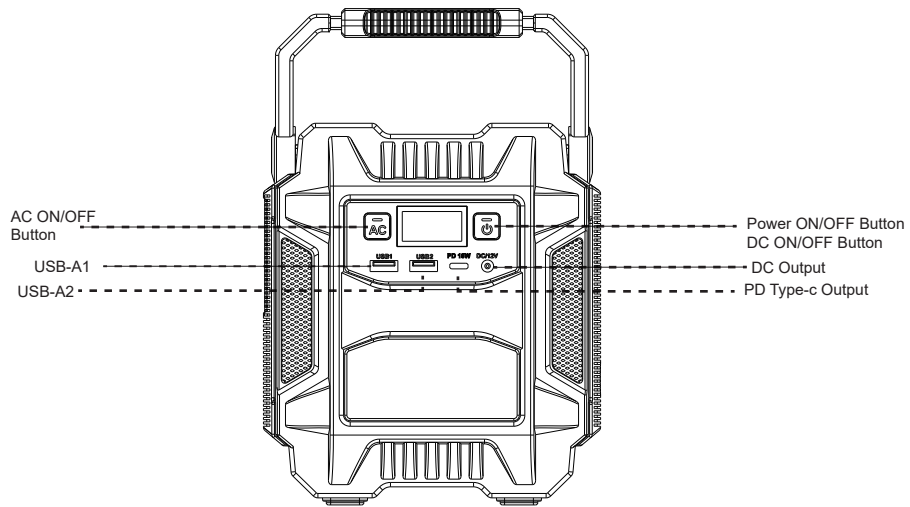
#### 3. SOS Mode:

- (1) Short press the LED Button the 3th time - SOS Mode
- (2) Short press the LED Button the 4th time - Strobe Mode
- (3) Short press the LED Button the 5th time - To turned off LED light  
(long-press 3S can turn off the light on any mode)

### Note:

**The AC power won't turn off automatically even it's not in used, please long press the AC power button for 3s to turn it off to save power.**

## Schematic Diagram



## Technical Parameters

Model	A201
Battery Capacity	172.8Wh/48000mAh
AC Output	110V Rated 200W Peak 400W
DC Output	12V/10A (MAX)
PD Type-C Output	18W
USB-1 Output	5V 2.4A, 9V 2.0A, 12V 1.5A
USB-2 Output	5V/2.4A
LED Mode	Read Light, SOS, Strobe
DC Input	5V-15V/2A
Solar Charging	18V-24V/50W Recommended
Charging Time	5 hours with 15V/2A AC Adapter
Cycles	>800 times
Operation Temperature	14°F~104°F
Weight	3.75lb
Size	L6.02n*W4.33in*H6.81in
Warranty	12 months from the date of purchase

## LED Display

The display shows the battery power percentage, AC Output, DC Output and LED Lightning

1. The onformation on the left side of the display indicates the battery power percentage, and LED lightning indicator
2. The onformation on the right side of the display indicates AC and DC Output indicator
3. Related status display on the screen, you can refer to more information about the product's functions

## Charging Method

Please charge the product fully before the first time to use and storage. Normally when the battery power is less than 10%, please charge it in time. When the display shows that the current battery level is 100%, it means charging is complete. The product supports DC and Type-C(PD) input at the same time( 48W Max), and in the time of Type-C(PD) 18W+DC 30W input at the same time, it only take 3.5h to fully charge.

