

**EVER ADVANCED
INSTRUCTION MANUAL**

Camping Tent
(HW-4272-17)

TABLE OF CONTENTS

Getting Started	1
Parts list	2
Assembly Instructions	3-4
Trouble Shooting Guide	5
Warranty Information	6

GETTING STARTED

A MESSAGE TO OUR CUSTOMERS:

Thank you for purchasing a quality product. As the world leader in outdoor recreational products, we pride ourselves in delivering quality, customer friendly products. As a valued customer your satisfaction is very important to us. We welcome your feedback and await your responses suggestions, and recommendations.

WE ADVISE YOU TO ASSEMBLE THIS PRODUCT AT LEAST ONCE AT HOME BEFORE GOING ON A TRIP. Obtaining a familiarity with the assembly and disassembly processes will help ensure your satisfaction and ease concerns you may have should you find yourself setting up in the dark or adverse weather conditions.

GET THE MOST ENJOYMENT FROM YOUR PRODUCT BY READING THIS OWNER'S MANUAL THOROUGHLY; THEN FOLLOW OUR CAMPING SUGGESTIONS OUTLINED BELOW. NOTE THE SYMBOLS WE USE AND WHY:



CALLS YOUR ATTENTION TO ANY POSSIBLE HAZARDS IN THE USE AND HANDLING OF YOUR PRODUCT.



CALLS YOUR ATTENTION TO PROVEN SUGGESTIONS COLLECTED FROM OUR CAMPING EXPERTISE AND WILL ENHANCE YOUR EXPERIENCE!

IMPORTANT NOTICE: You may compromise the original FIRE RETARDENCY and WATER REPELLENCY protective coatings when you apply sprays or other chemical treatments to your tent.

This fabric has been factory-treated and is HIGHLY WATER-REPELLANT; however, it is NOT WATERPROOF. All tents can experience seam leakage during wet weather. If you desire additional moisture protection, use a seam sealing compound ONLY; be sure to follow the manufacturer's directions. We recommend sealing your tent during your initial setup and prior to each camping season. Seam Sealer Compounds can be purchased at your local camping products retailer.



DO NOT SPRAY!



FABRIC

THIS FABRIC IS NOT WATERPROOF!

Your product's fabric is a synthetic material that has been treated and is not only highly-resistant to the sun's Ultraviolet (UV) light but also highly water-repellant in light rain conditions. Insure a successful and enjoyable camping experience by heeding the following tips:


- Keep objects from touching the inside, as objects will "draw in" moisture at the point of contact.
- "Prep" your product where necessary with a recommended seam sealing compound – refer to the seam sealing information in DO NOT SPRAY section of this owner's manual.


Important: Prolonged exposure to sunlight that causes UV damage and/or the use of non-recommended foreign substances on synthetic material may damage the fabric properties and IS NOT COVERED BY THE LIMITED WARRANTY.



STRUCTURE

OUR RECREATIONAL PRODUCTS ARE CONSTRUCTED USING CUSTOM SPECIFICATIONS. However, they are not engineered for extreme weather, climates or environments. Modification, abuse, and inclement or "surprise" weather conditions may make additional precautions necessary. Here are some tips should you find yourself preparing for adverse conditions:

 Make sure any guy lines/ropes on your structure are well-secured in the ground and lines/ropes are sufficiently "taught" between structure and stake; adjust where needed. Facing periods of heavy winds? Secure tent loops and guy lines/ropes with extra stakes if necessary.

 Check the corners of the roof fabric and make sure roofline is properly positioned on framing. Use ALL provided methods of securing your fabric to its framing: nylon fastener strips, ties, and guy lines/ropes where located. Storms or steady rains may collect in water pockets on the roofline. Water adds weight, and weight weakens the overall structure. Avoid possible collapse by maintaining a watchful eye and removing any water accumulation that may occur.



FIRE

WARNING: KEEP ALL FLAME AND HEAT SOURCES AWAY FROM THIS PRODUCT FABRIC. THIS FABRIC IS NOT FIREPROOF! It is made with flame resistant fabric, which meets CPAI-84 specifications. The fabric may burn if left in continuous contact with any flame source. The application of any foreign substance to the fabric may render the flame-resistant properties ineffective.

Do NOT ERECT NEAR an open flame. NEVER use any fuel burning, oxygen consuming devices, or any device that produces fumes – including, but not limited to: cooking stoves, lanterns, candles, hibachis, or heaters – in or around your product. Inhalation of fumes may result in carbon monoxide poisoning, injury and/or death.



CARE & STORAGE

Your product is NOT machine washable. Your product is NOT machine dryable.

One of the easiest ways to damage your product is storing it while wet. If you must close camp in the rain, follow these guidelines carefully:

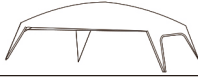






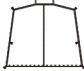
- As Soon As Possible: Open your product and ensure that every area of fabric is clean and completely dry before rolling up for storage.
- If necessary, hang product outside or loosely drape over a ladder in your garage or spare room for a few days, turning it inside and out to prevent trapping pockets of water or debris.
- Use a soft brush to wipe away surface dirt.


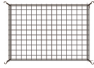





To clean your product: Hand wash using a mild dishwashing soap and soft bristle brush, then allow the fabric to completely air dry. Don't neglect the frame: Wipe down all parts – steel, plastic, and fiberglass – before putting away for next season's use. Salts from ocean air can and do affect damage if not dealt with as quickly as possible.

Storing a wet fabric for as little as 24 hours in warm weather is likely to cause fabric to mildew. Once mildew sets in, the stains are permanent. Stains cannot be removed without potential harm to the fabric's coatings; chemicals or cleaning agents used to remove dirt and stains may irreversibly harm the fabric.

Salts, mildew and other causes and subsequent effects are NOT covered under the limited warranty.

PARTS LIST

	Part	Image	Qty
A	Tent Rainfly		1
B	Tent Body		1
C	Fiberglass Pole-Blue		1
D	Fiberglass Pole-Grey		2
E	Steel Leg Pole-Middle		2
F	Steel Leg Pole-Corner		4
G	Door pole		2
H	Divided Curtain		1

	Part	Image	Qty
I	Detachable Mud Mat		1
J	Gear Loft		1
K	Carry Bag		1
L	Pole Bag		1
M	Stake Bag		1
N	Guy rope		8
O	Steel stake		19

ATTENTION: Review your parts list above to make sure all parts listed above have been included in your package.

ASSEMBLY INSTRUCTIONS

THIS RECREATIONAL PRODUCT CAN BE ASSEMBLED BY ONE ADULT.

*Make sure ground surface is free from debris, i.e., rocks that could damage flooring.

*Unless otherwise specified all instructions will be given assuming the assembler is facing the front opening of the tent.

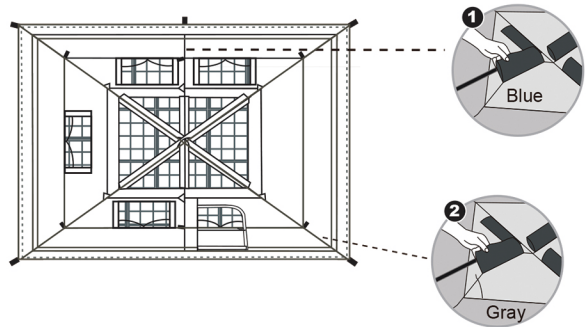
*Carefully fold out your poles, using caution to prevent snapping the shock-cording. Make sure each pole segment is "seated" into the next section before flexing the pole during set-up. Sort POLES by type and length; refer to parts list descriptions.

*Do not drop tent pole bag. Do not bounce tent bag on its end to remove tent. as these actions may damage the shock-cord and /or pole ends.

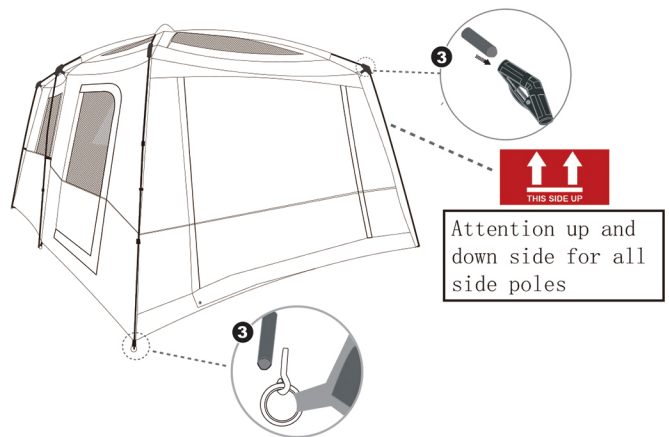
STEP 1: Install the Tent Poles

1. Select a smooth, level site and spread out the tent body (Part B). Place the tent body in the correct orientation on the campsite. Take the center fiberglass roof pole-blue (Part C) and slide it into its roof sleeves of the corresponding color-blue. Finish securing by inserting the pole into the ribbed side of the corner elbow connector.

2. Take a fiberglass roof pole-gray (Part D) and slide it into its sleeves of the corresponding color-gray. Insert one end of the pole into the ribbed side of the elbow connector at the corners. Gently flex the pole to secure the other side. The poles will cross at the center.



3. Distinguish between the middle and corner leg poles (Part E/F). Slide one end of a steel leg pole into the smooth end of elbow connector, then secure the other end onto the pin-rings at base of tent.

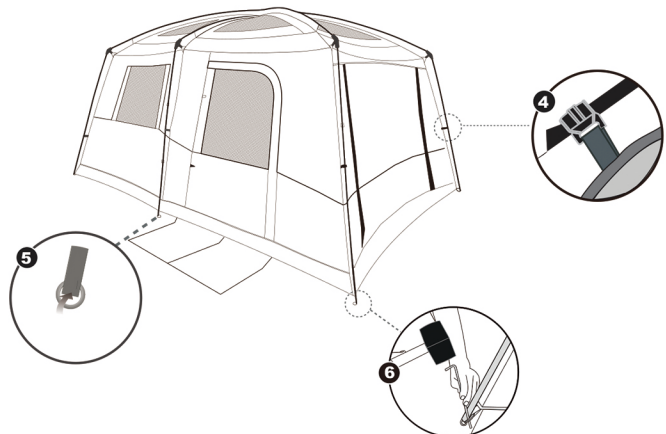


STEP 2:

4. Attach all G hooks to the leg poles to secure and shape the tent.

5. Attach the included mud mat (Part I) to the tent with the toggles. Stake the mud mat if needed.

6. Make sure the base of the tent is fully spread out, pull the floor tight, and stake out the tent.



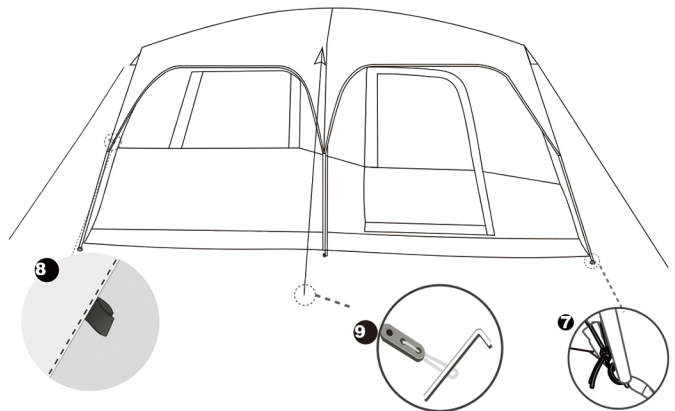
ASSEMBLY INSTRUCTIONS

STEP 3: Attach the rainfly

7. Drape the rainfly (Part A) over the tent. Attach rainfly to poles by pulling the S-hook down to the D-ring at the base of the tent.

8. Fasten the nylon hook & loop fastener strips located on the inside of the rainfly onto corresponding tent poles.

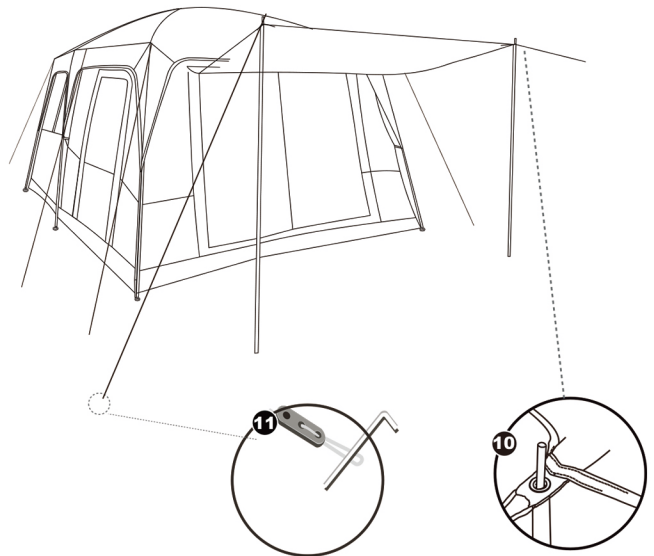
9. Stake out guy ropes (Part L) away from the tent with ropes at roughly a 45° angle to the ground. Adjust using the plastic sliders.



STEP 4: Attach the canopy

10. Put the two-door poles into the O-ring at the front end of the canopy, and adjust the angle of the poles.


11. Put the guy rope on the top of the pole, tighten the rope and secure it with steel stakes.

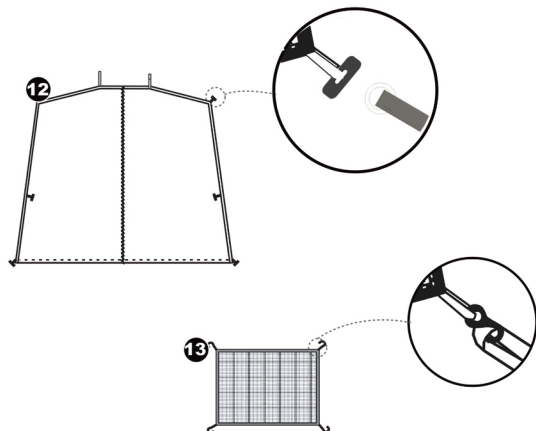


STEP 5: Add Accessories

12. Attach the divided curtain (Part H) by pushing the toggle through the fabric loops sewn on the inside tent.

13. Attach the Gear loft (Part J) by using the plastic S hooks to hook into the fabric loops sewn on the inside of the tent.

 **TIP:** Gear loft is for storing lightweight items only.



TROUBLE SHOOTING GUIDE

PROBLEM	SOLUTION
1.CONDENSATION	THIS IS CAUSED BY LOWER TEMPERATURES ON OUTSIDE OF PRODUCT COMBINED WITH BODY HEAT ON INSIDE OF PRODUCT.WHEN THIS OCCURS, AVOID TOUCHING WALLS TO REDUCE CONTACT LEAKAGE. LEAVING DOORS AND WINDOWS OPEN WILL REDUCE CONDENSATION.
2.MILDEW	TO AVOID MILDEW, NEVER STORE YOUR PRODUCT WET OR DAMP. HOWEVER, IF MILDEW OCCURS, USE A SOFT BRISTLE BRUSH OR SPONGE WITH MILD SOAP TO CLEAN. LET THE PRODUCT DRY IN THE SUNLIGHT AND APPLY SEAM SEALER COMPOUND THE PRODUCT ON INSIDE SEAMS.
3. FAULTY ZIPPER	ALL OF OUR TENTS COME WITH SELF-REPAIRING NYLON COIL ZIPPERS. IF THE ZIPPER SEPARATES, YOU CAN MOVE THE SLIDER TO THE BEGINNING OF THE ZIPPER TAPE AND REWORK THE ZIPPER. LOCAL AWNING AND UPHOLSTERY REPAIR SHOPS MAY BE ABLE TO ASSIST YOU.
4. FLOOR CONDENSATION (ONLY APPLICABLE ON PRODUCTS WITH FLOOR)	TO PREVENT FLOOR CONDENSATION USE A GROUND CLOTH. PLACING A GROUND CLOTH UNDER YOUR PRODUCT WILL PROLONG ITS LIFE. GROUND CLOTH SIZE SHOULD BE SLIGHTLY SMALLER THAN PRODUCT FLOOR SIZE

WARNING

THIS RECREATIONAL ITEM IS NOT INTENDED FOR USE AS A PERMANENT STRUCTURE. This Tent/Shelter has been developed and is intended to provide protection from sun and light rain. DO NOT use any gas or flame sources under or near this product. Excess water build-up can cause the frame system to become unstable, and collapse, causing injury. Any personal accessories or modifications to product should be removed before the onset of inclement weather such as heavy rain, wind, lightning, hail, snow, etc. This product should be completely dismantled to avoid permanent damage to product components and avoid any possibility of personal injury. This product is not a toy. This product is not designed for use by children without adult supervision. Under no circumstances should this product be used as a permanent or temporary storage facility for children's toys, garden tools, personal belongings or similar valuables. Consumer-made modifications for extended use, i.e. permanently securing to decks and patios and/or Consumer's failure to follow stated guidelines, will invalidate any warranty, expressed or implied.

WARRANTY INFORMATION

This product has been manufactured under the highest standards of quality and workmanship. We warrant to the original consumer purchaser that all aspects of this product will be free of defects in material and workmanship for one year from the date of purchase. A replacement for any defective part will be supplied free of charge for installation by the consumer. Defects or damage caused by the use of other than genuine parts are not covered by this warranty. This warranty shall be effective from the date of purchase as shown in the purchaser receipt.

This warranty is valid for the original consumer purchaser only and excludes industrial, commercial or business use of the product, product damage due to shipment or failure which results from alteration, product abuse, or product misuse, whether performed by a contractor, service company or consumer. We will not be responsible for labor charges and/or damage incurred in installation, repair or replacement nor for incidental or consequential damage.

PLEASE KEEP THIS INSTRUCTION MANUAL FOR FUTURE REFERENCE

For more information, please refer to:



Website: www.everadvanced.com



Email: info@everadvanced.com



Facebook: [@everadvanced](https://www.facebook.com/everadvanced)



Instagram: [@everadvanced](https://www.instagram.com/everadvanced)