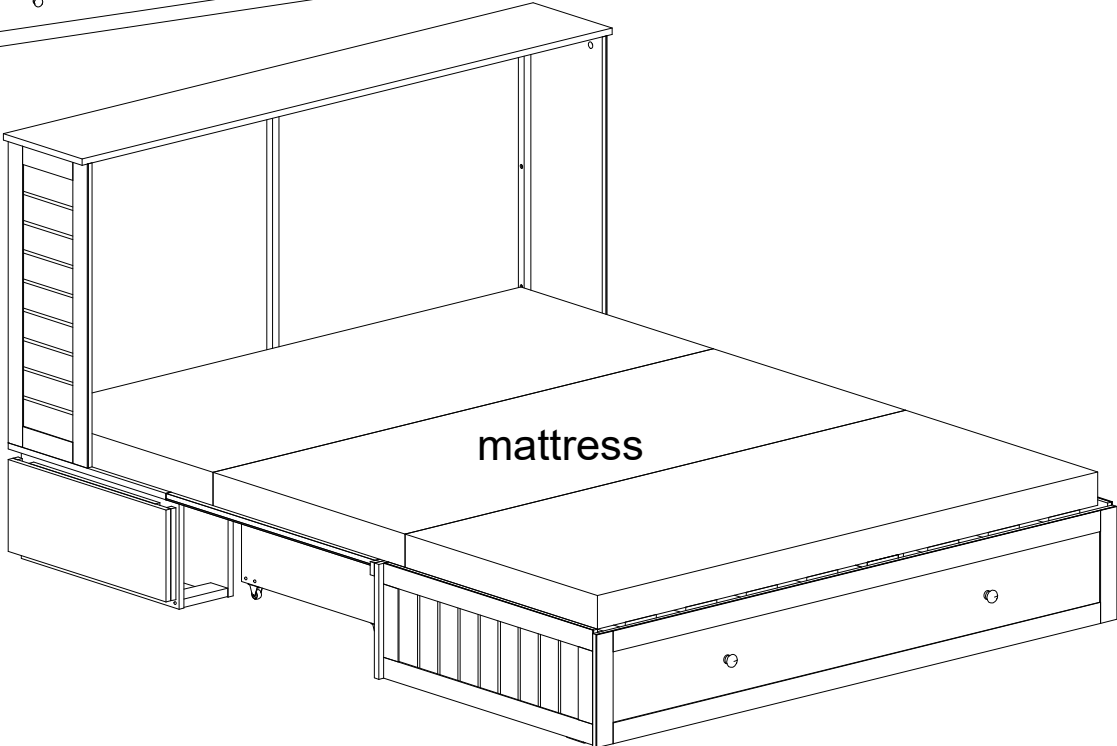
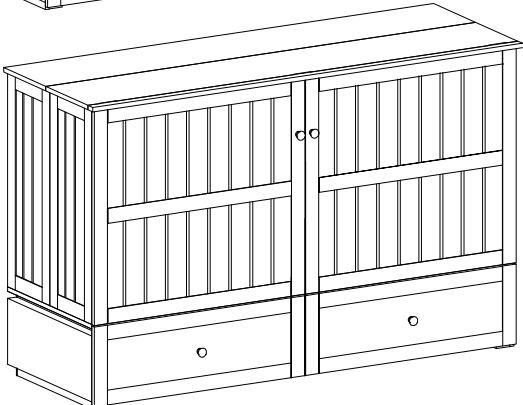
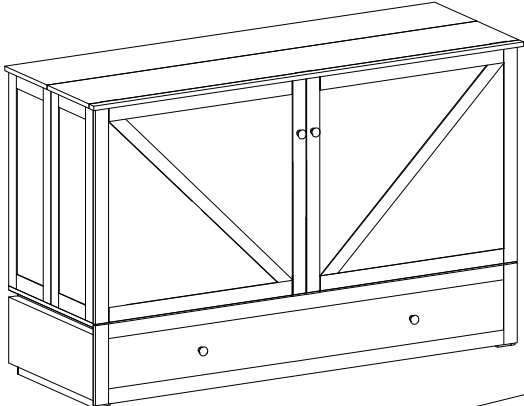
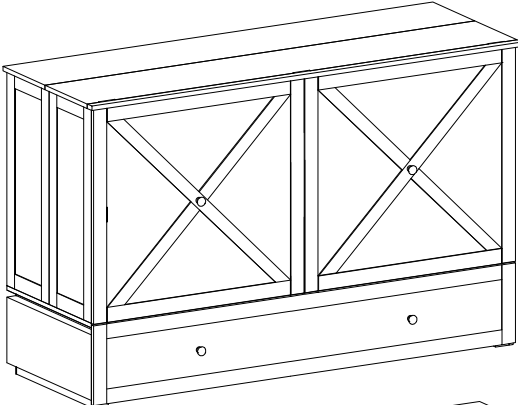
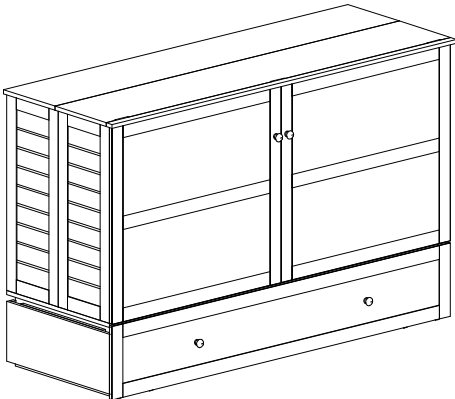
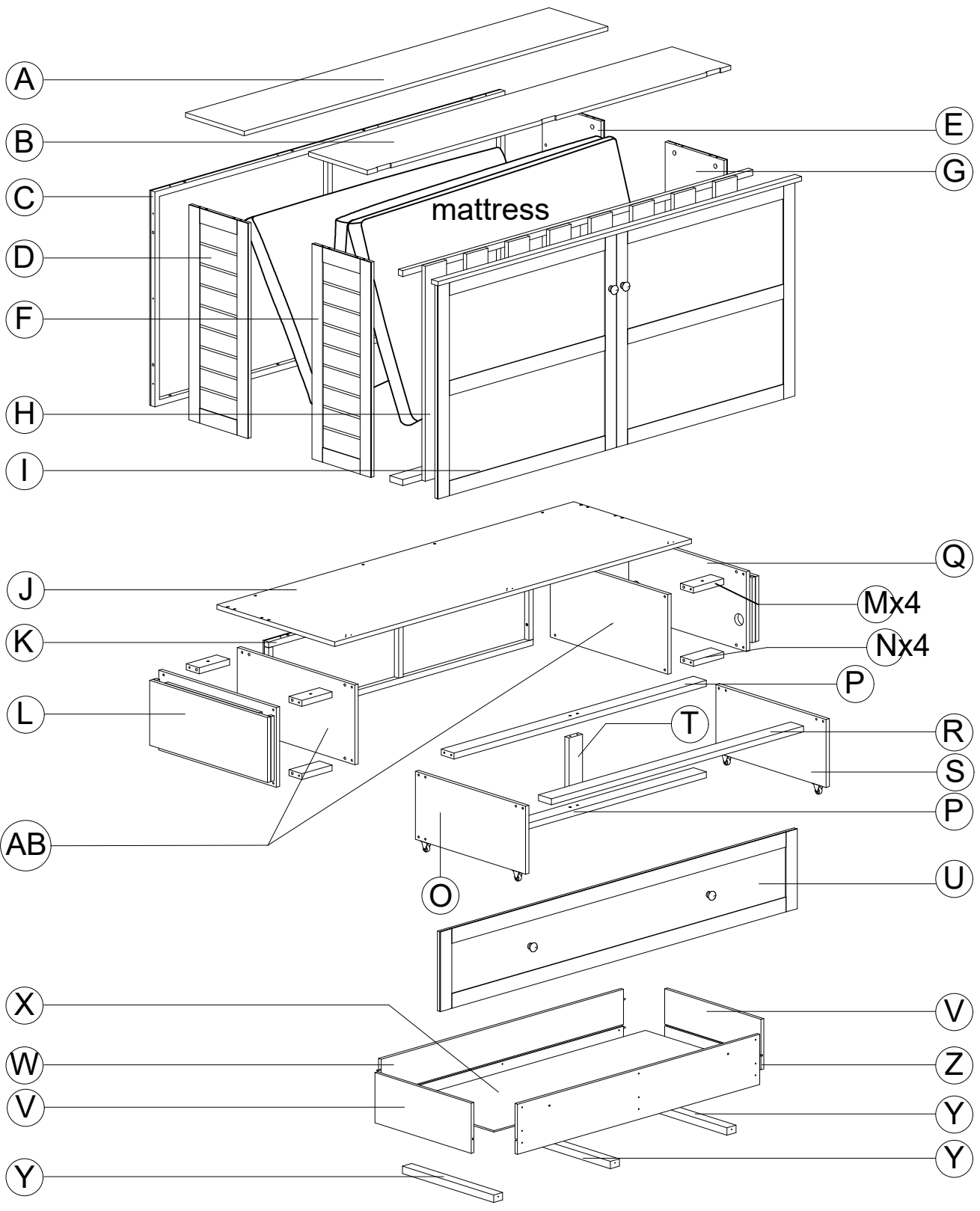

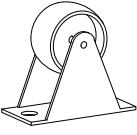
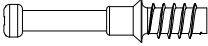
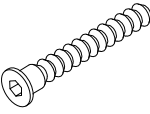
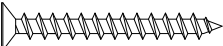
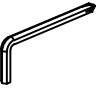

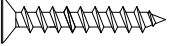

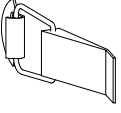






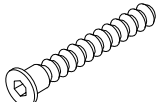
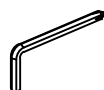


INSTALLATION GUIDE

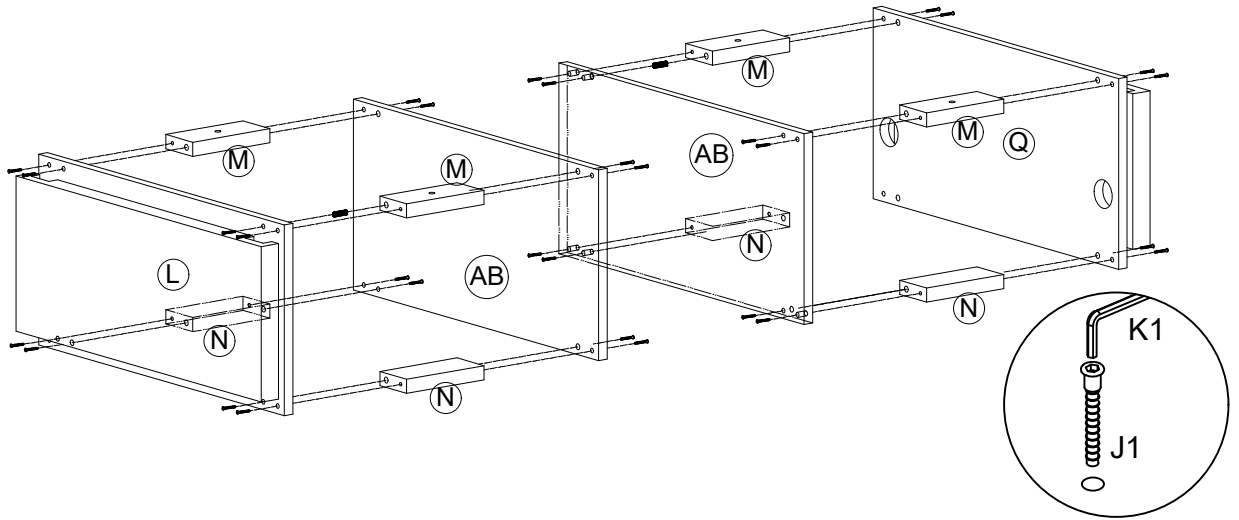








A1	 KD Cam	16PCS	I1		10PCS
B1		16PCS	J1		48PCS
C1	 #8 x 1-1/8"	41PCS	K1		1PCS
D1	 8 x 30MM	28PCS	L1	 #8 x 3/4"	6PCS
E1	 7 x 5/8	48PCS	M1		2PCS
F1	 M4 X 32mm	4PCS	N1	 #13 x 1/4"x1-1/4"	4PCS
G1		4PCS	O1	 1/4"x16x1.2T	4PCS
H1		1PCS	P1	 1/4"	4PCS

J1		32PCS	K1		1PCS
----	---	-------	----	---	------

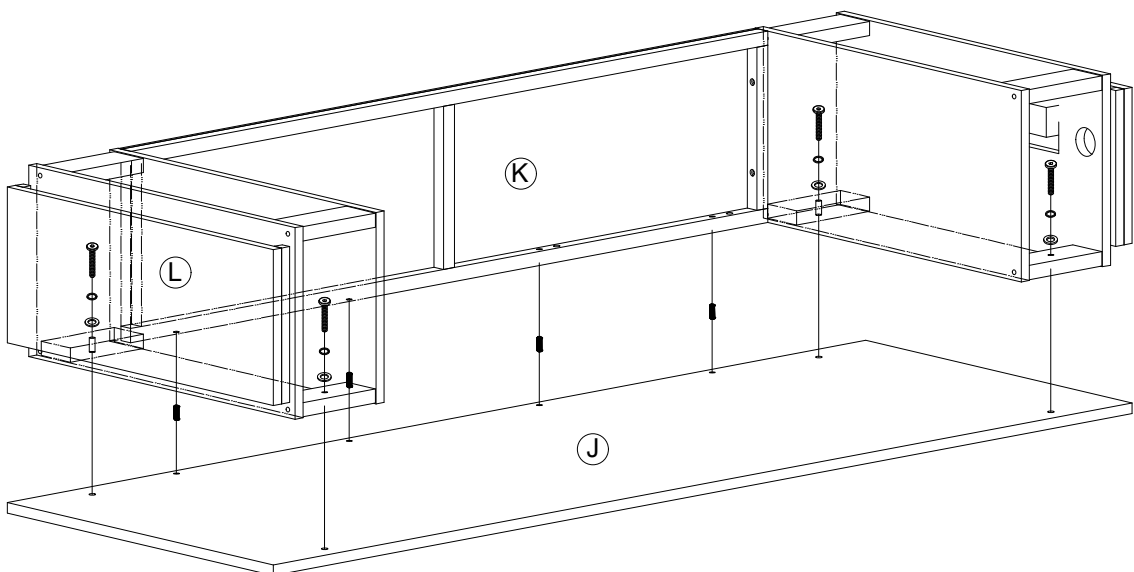
STEP 1



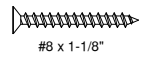
D1	 8 x 30MM	4PCS	N1	 #13 x 1/4"x1-1/4"	4PCS
----	---	------	----	--	------

O1	 1/4"x16x1.2T	4PCS	P1	 1/4"	4PCS
----	---	------	----	---	------

STEP 2

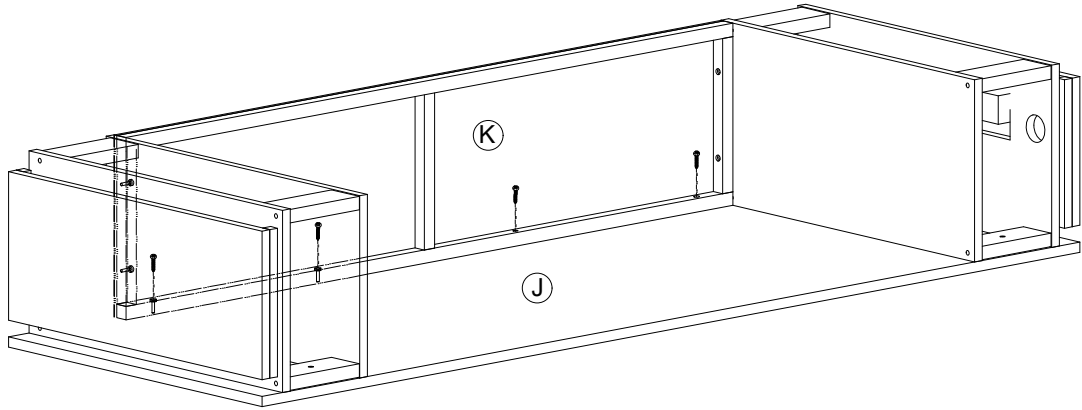


C1

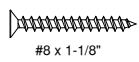


4PCS

STEP 3

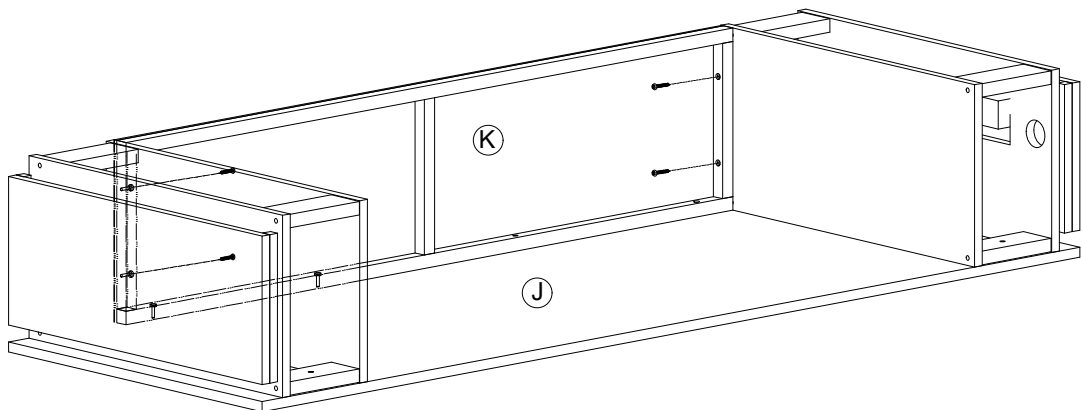


C1



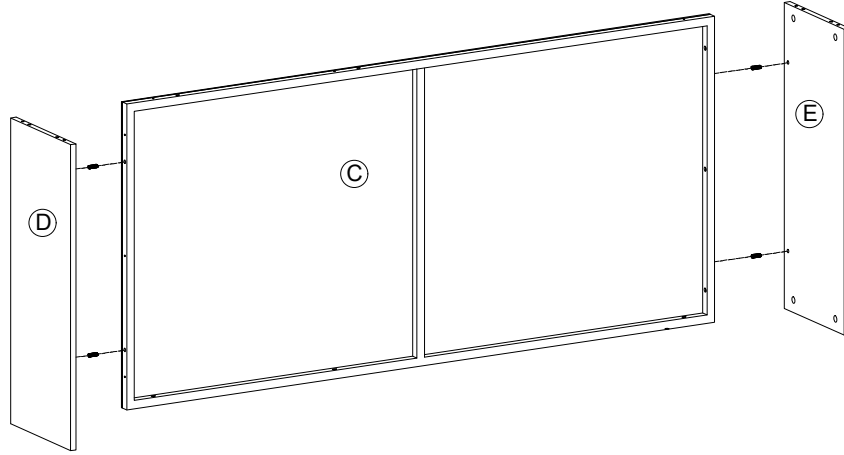
4PCS



STEP 4




D1	 8 x 30MM	4PCS			
----	---	------	--	--	--

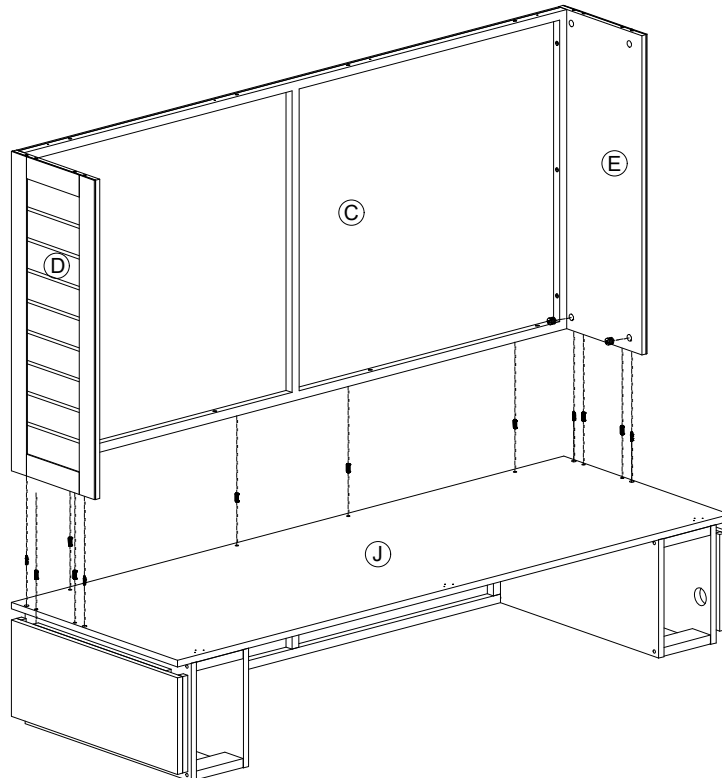
STEP 5






A1		4PCS	B1		4PCS
----	--	------	----	--	------

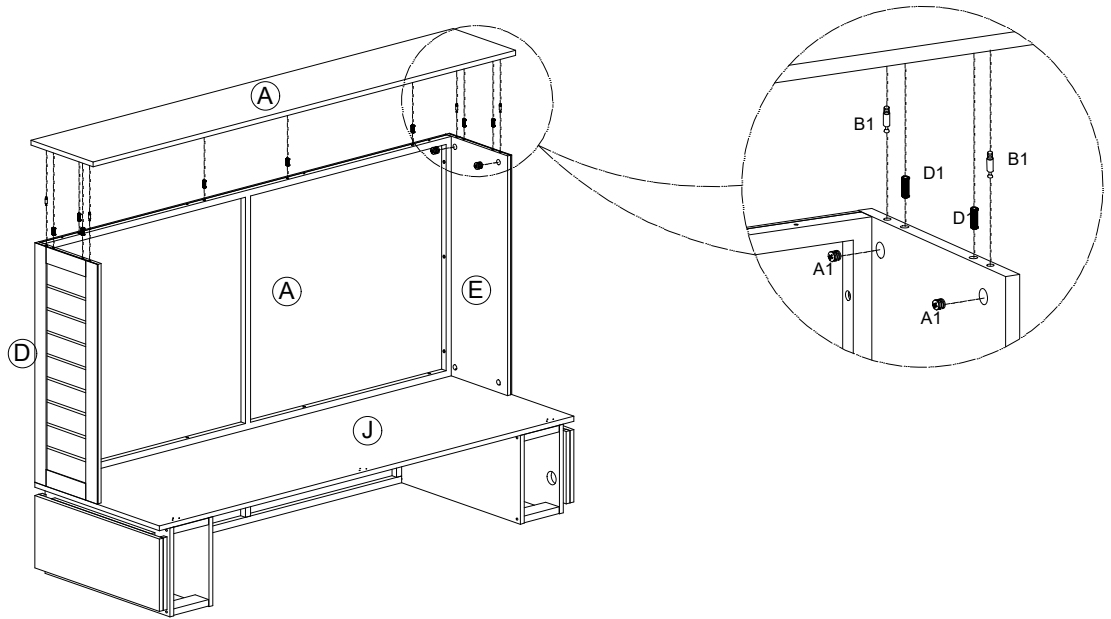
D1	 8 x 30MM	8PCS			
----	---	------	--	--	--

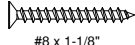

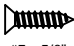
STEP 6



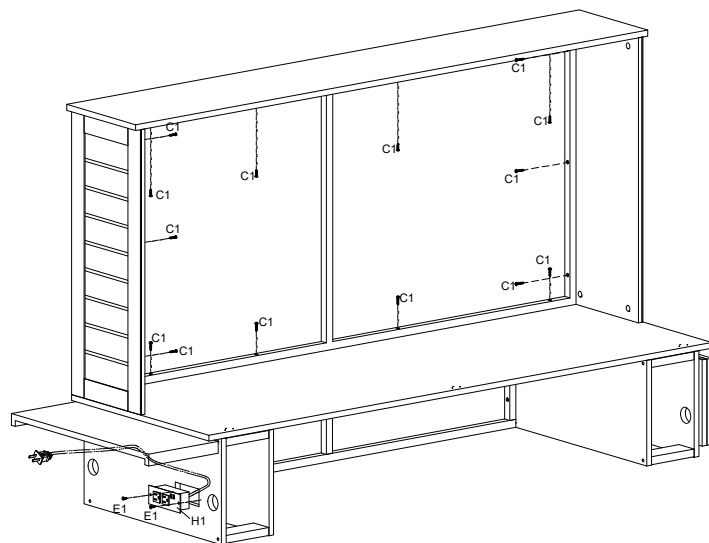
A1		4PCS	B1		4PCS
D1	 8 x 30MM	8PCS			

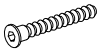

STEP 7



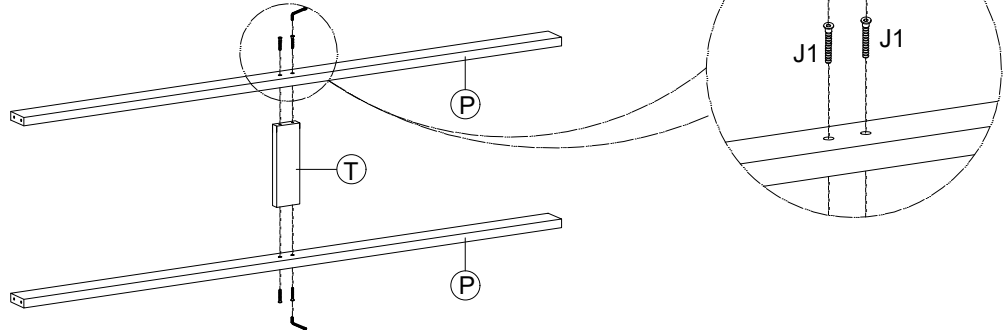
C1	 #8 x 1-1/8"	14PCS	H1		1PCS
E1	 #7 x 5/8"	2PCS			

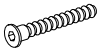

STEP 8



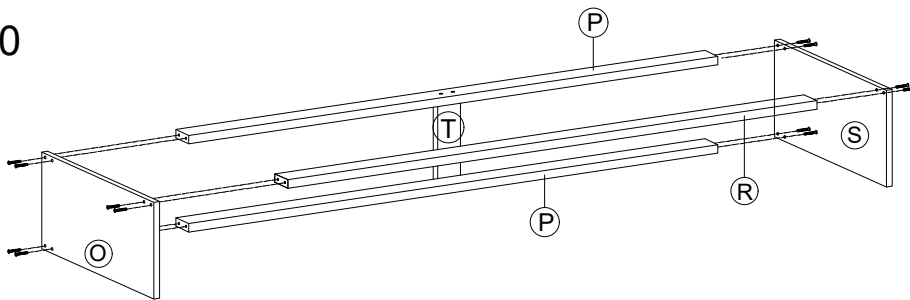
J1		4PCS	K1		1PCS
----	---	------	----	---	------



STEP 9



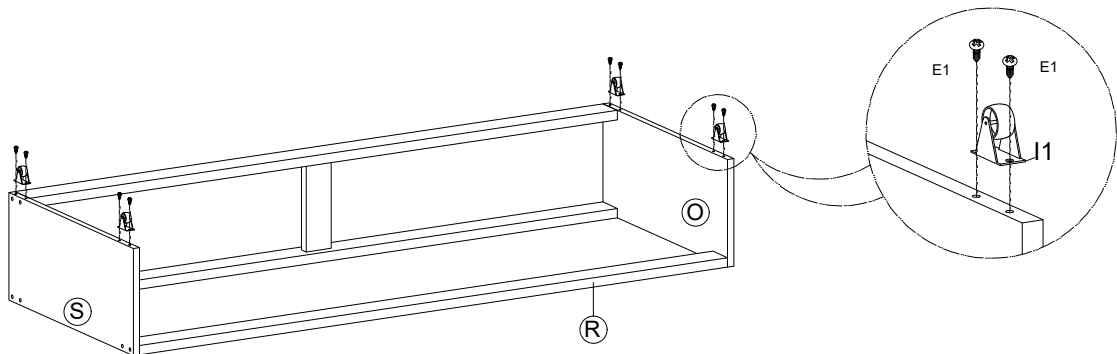
J1		12PCS	K1		1PCS
----	---	-------	----	---	------

STEP 10

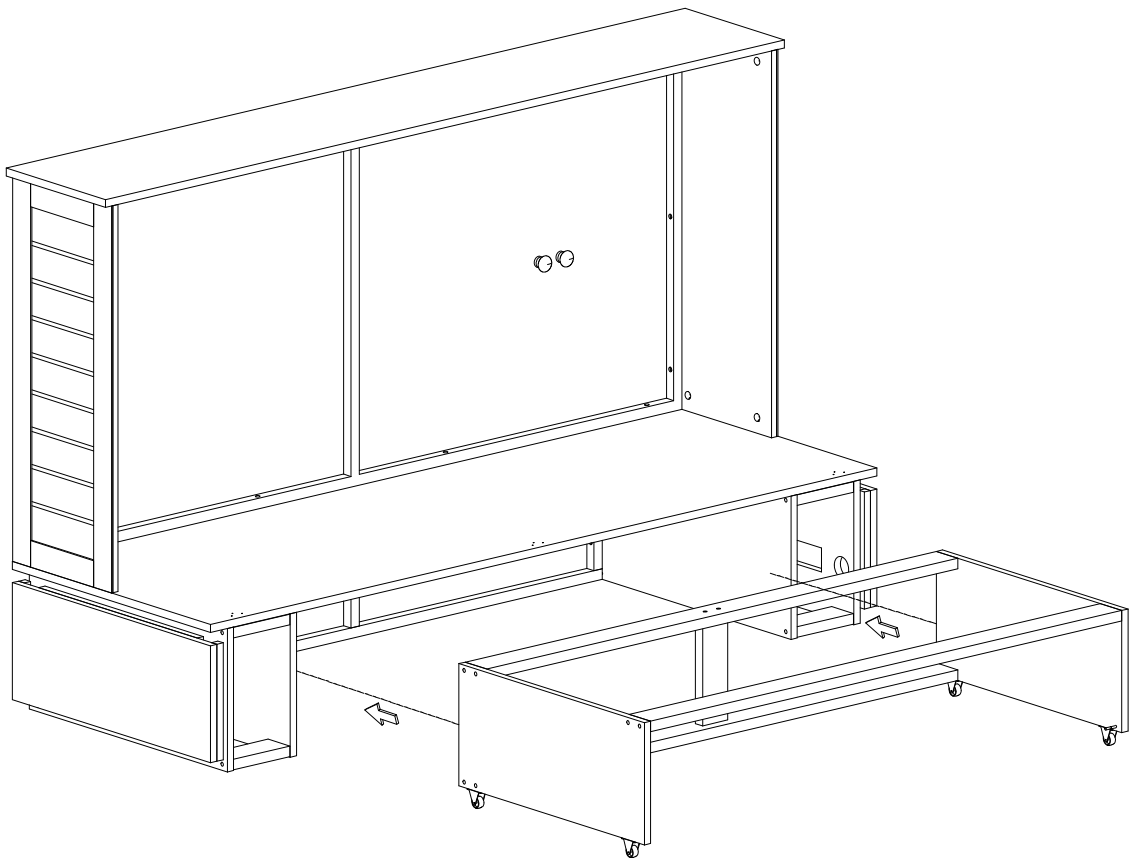


I1		4PCS	E1	 #7 x 5/8"	8PCS
----	---	------	----	--	------

STEP 11



STEP 12

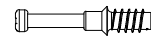


A1



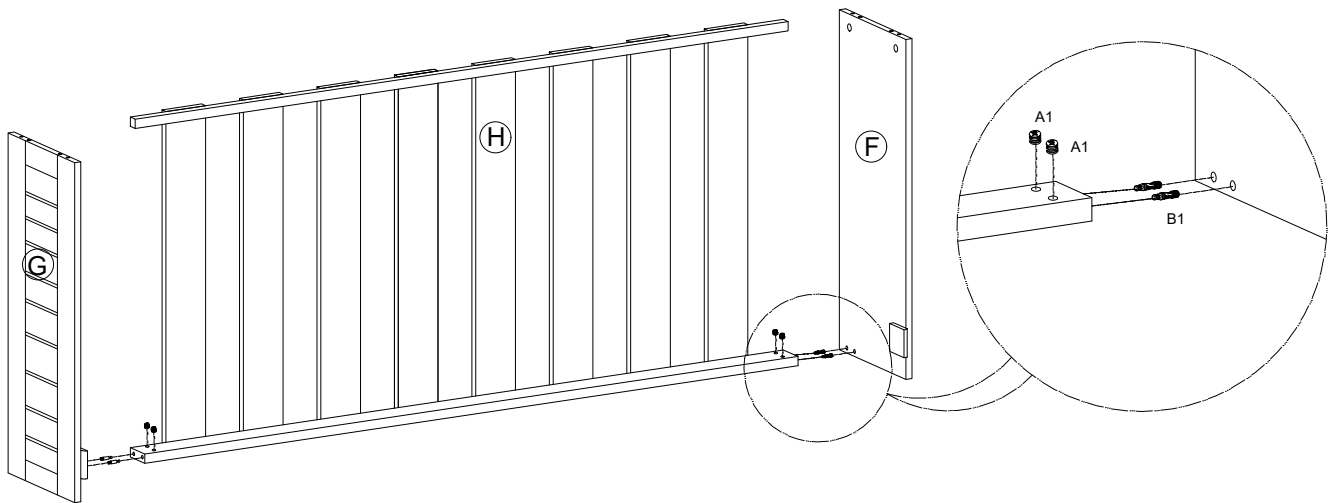
4PCS



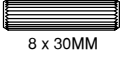
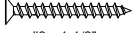
B1



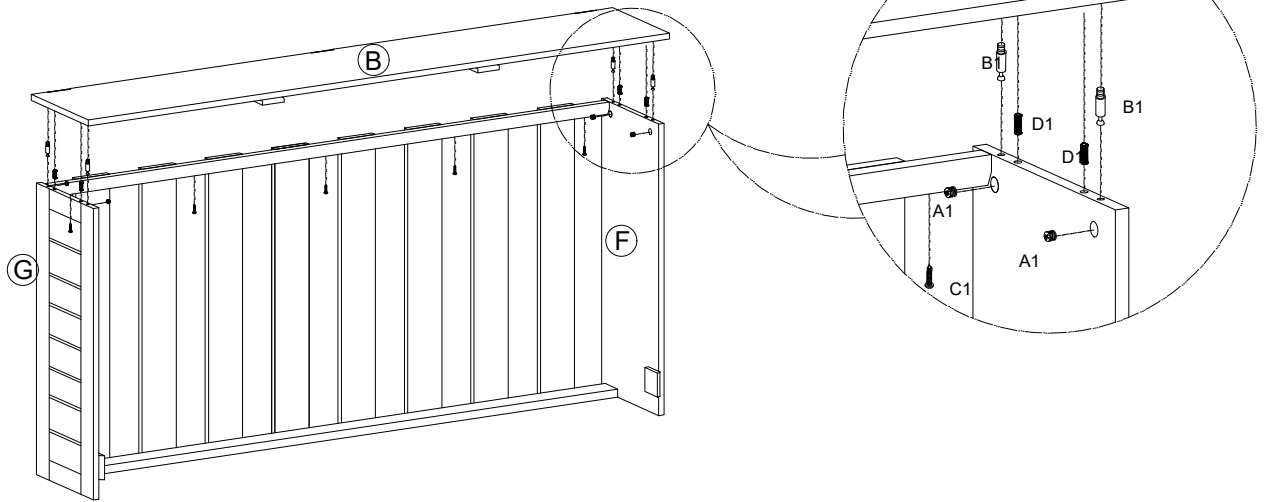
4PCS

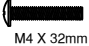

STEP 13



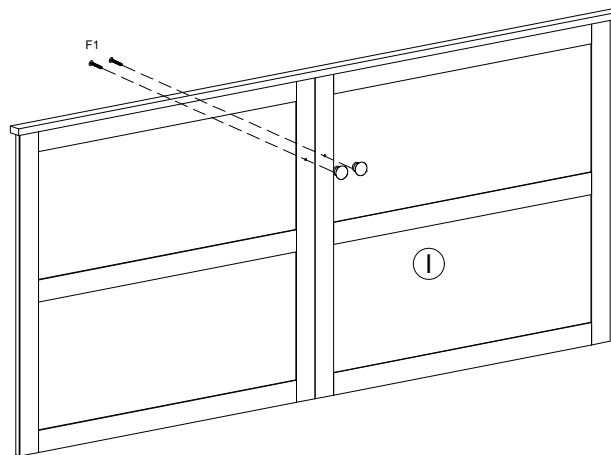
A1		4PCS	B1		4PCS
D1	 8 x 30MM	4PCS	C1	 #8 x 1-1/8"	5PCS

STEP 14



F1	 M4 X 32mm	2PCS	G1		2PCS
----	--	------	----	---	------

STEP 15



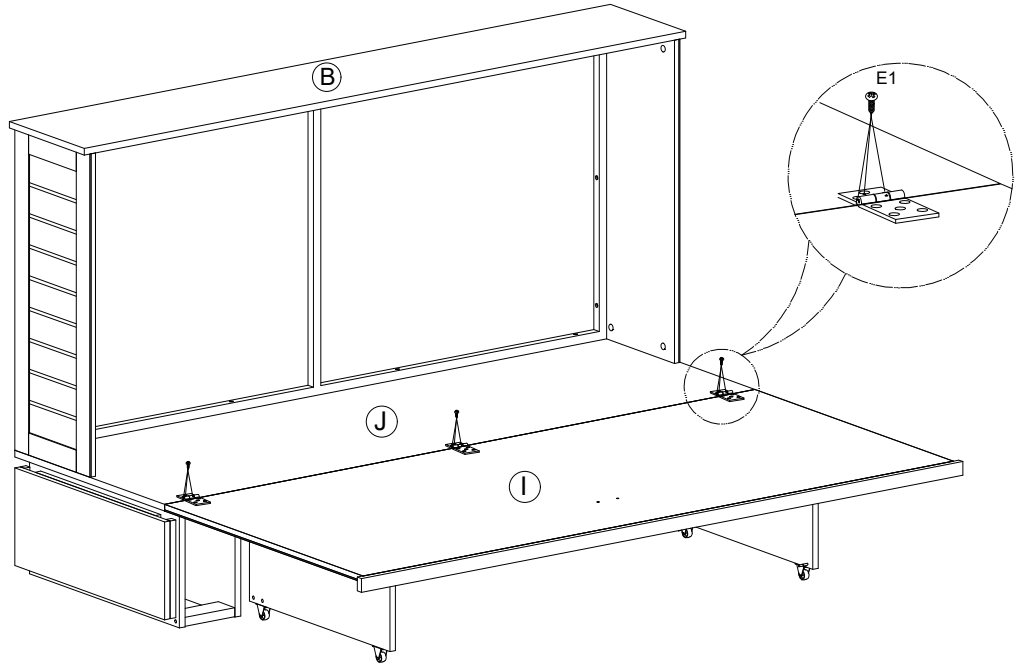
E1



#7 x 5/8"

9PCS

STEP 16



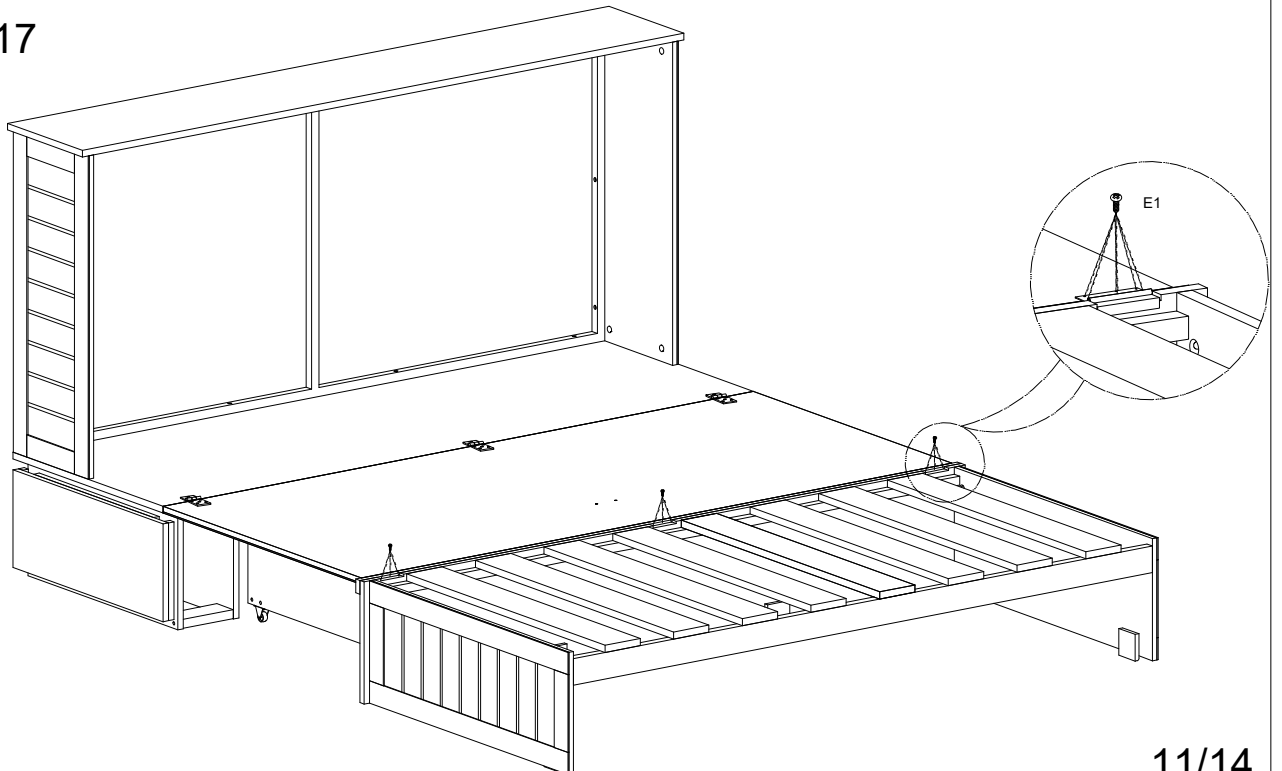
E1



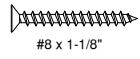
#7 x 5/8"

18PCS

STEP 17

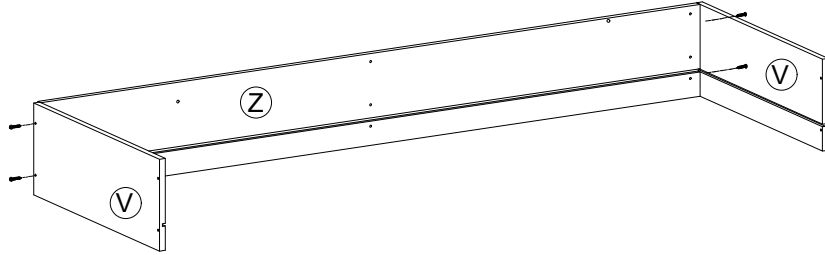


C1

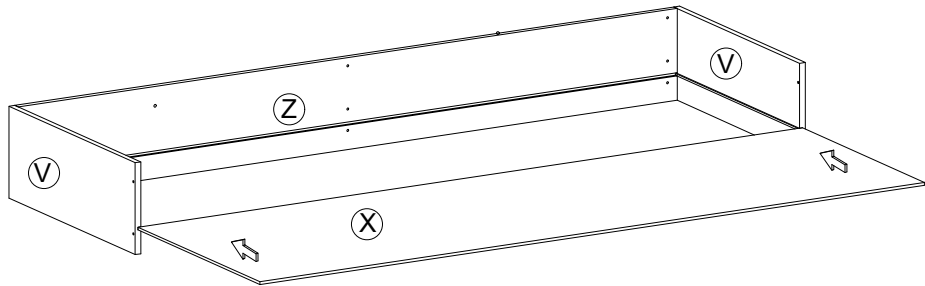


4PCS

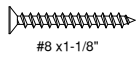
STEP 18



STEP 19

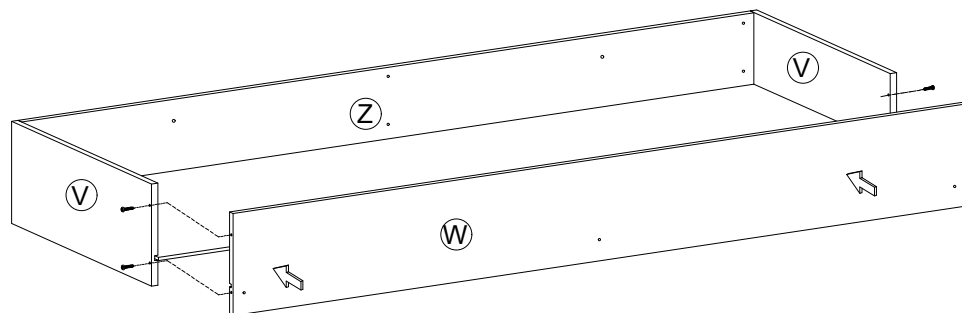



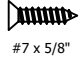
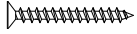
C1



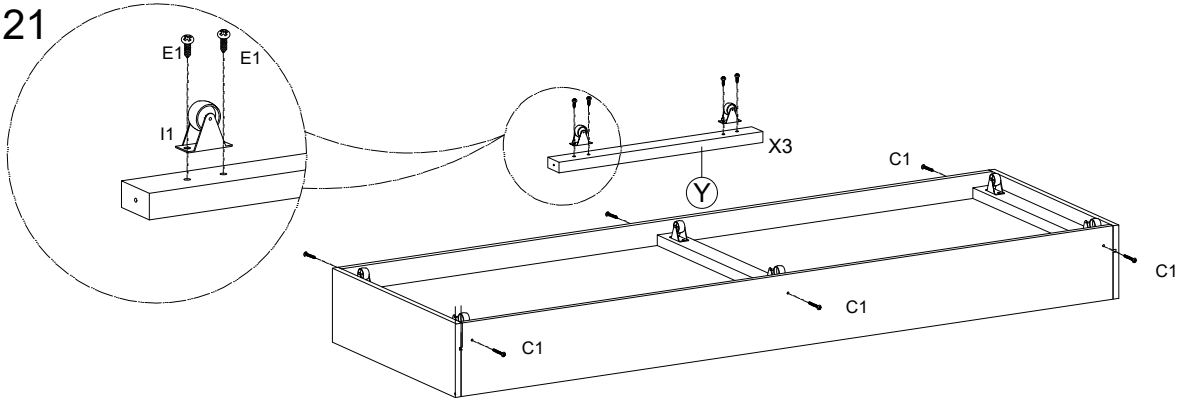
4PCS


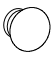
STEP 20



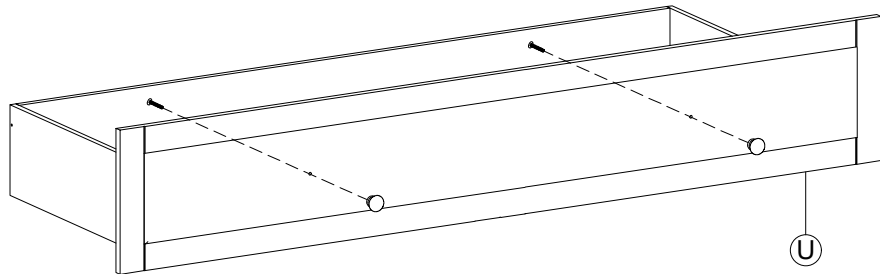
I1		6PCS	E1	 #7 x 5/8"	12PCS
C1	 #8 x 1-1/8"	6PCS			

STEP 21



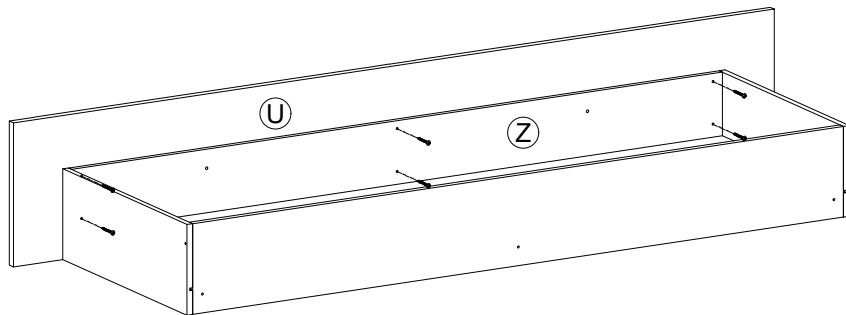
F1	 M4 X 32mm	2PCS	G1		2PCS
----	--	------	----	--	------

STEP 22

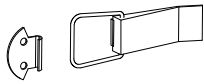


L1	 #8 x 3/4"	6PCS			
----	--	------	--	--	--

STEP 23



M1



2PCS

E1



8PCS

STEP 24

