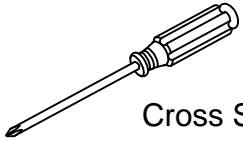


Makeup Vanity Installation Manual

Tools You Will Need:



Cross Screwdriver

During Installation

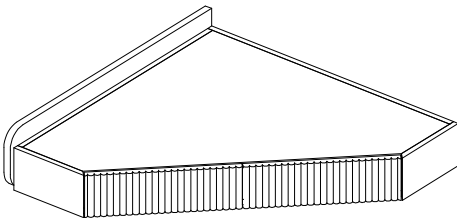
1. Do not discard packing material until assembly is complete, as small parts may loosen inside the carton during shipping. If there is a missing part, please contact our after-sales team at service@yeerole.com.
2. Please assemble this item on soft surfaces such as carpets to protect the finish.
3. Pay attention to stability when assembling to avoid falling or scratching.
4. Fully tighten all screws when all parts are in place.

Cleaning and Maintenance

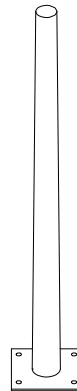
1. To protect the finish, avoid chemicals and household cleaners.
2. Keep away from the heat source to prolong the service life.
3. Wipe up any spilled liquid on top with a damp cloth.

Components

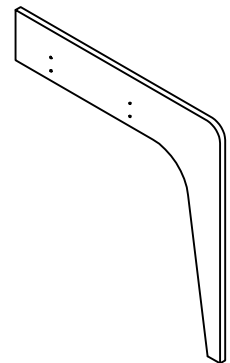
**Dressing table
(A x 1)**



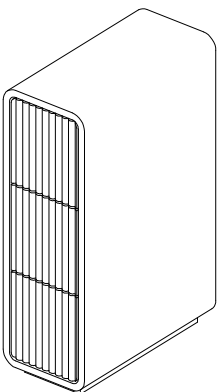
Iron frame(C x 1)



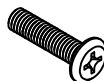
**Support feet
(D x 1)**



**Cabinet
(B x 1)**



**Cup head screws
(F x 4)**



**Self tapping screws
(G x 4)**



**Pads
(H x 4)**

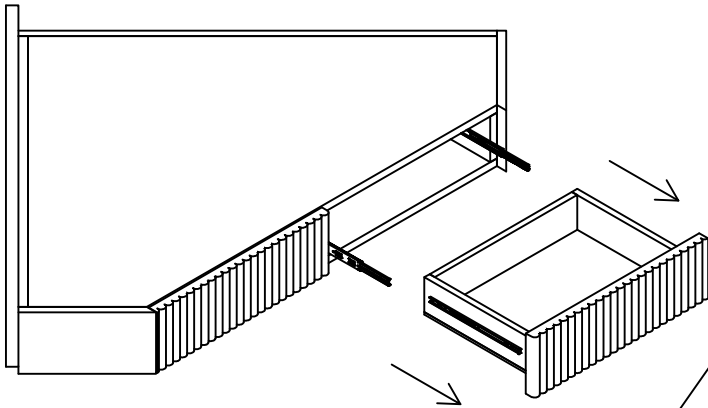


Note: Do not fully tighten all bolts until all parts are in place Failure to follow these instructions may cause the bolt to misalign during assembly.

Installation Guide

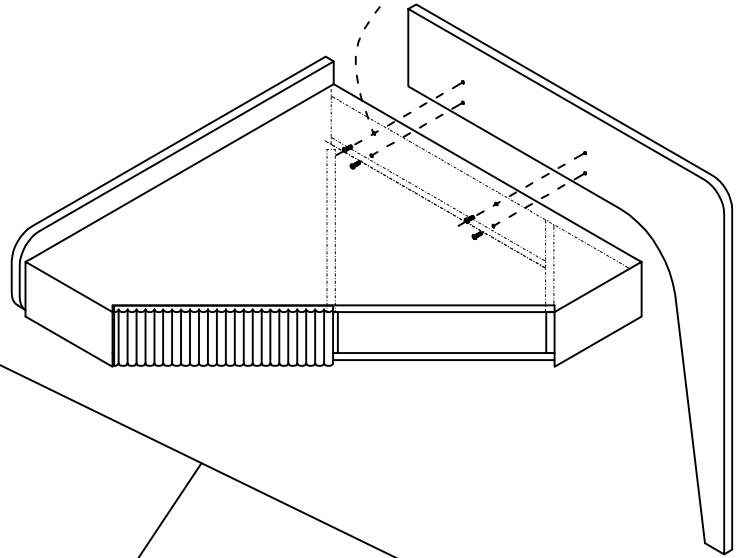
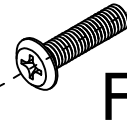
Step 1

Take out the drawer.

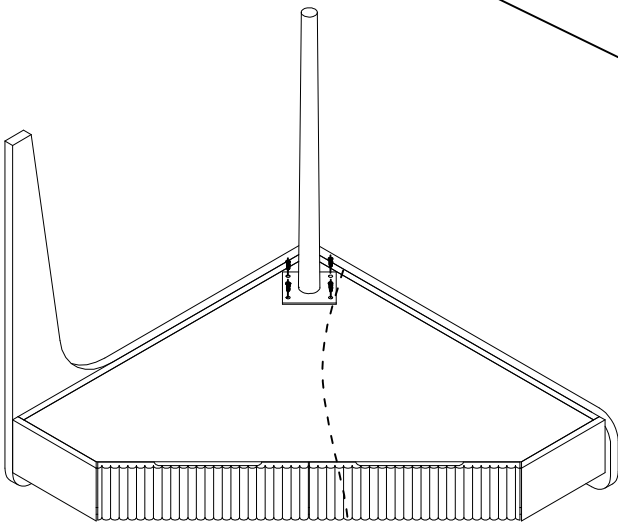


Step 2

Install the support feet with screws (F)



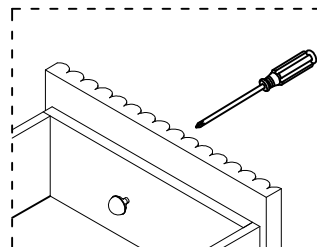
Step 3



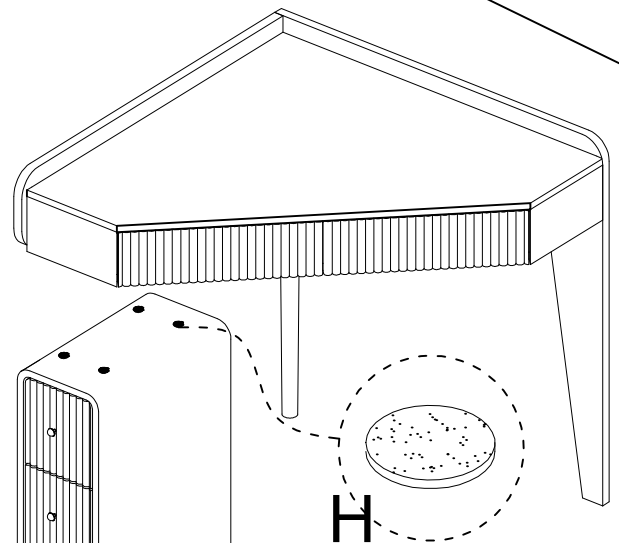
G



Install the metal foot stand with screws (G)



Step 4



H

Stick (H) anti-skid pad on the top of the side cabinet, Open the side cabinet drawer and reinstall the handle.