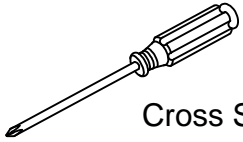


# Makeup Vanity Installation Manual

## Tools You Will Need:



Cross Screwdriver

## During Installation

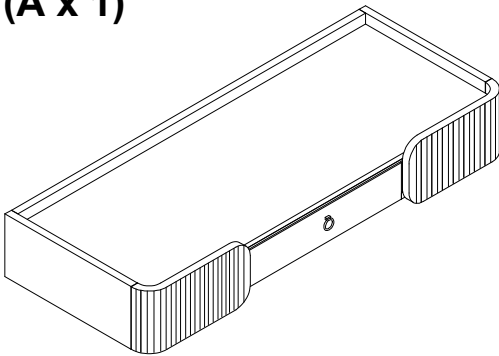
1. Do not discard packing material until assembly is complete, as small parts may loosen inside the carton during shipping. If there is a missing part, please contact our after-sales team at [yeerole\\_official@163.com](mailto:yeerole_official@163.com).
2. Please assemble this item on soft surfaces such as carpets to protect the finish.
3. Pay attention to stability when assembling to avoid falling or scratching.
4. Fully tighten all screws when all parts are in place.

## Cleaning and Maintenance

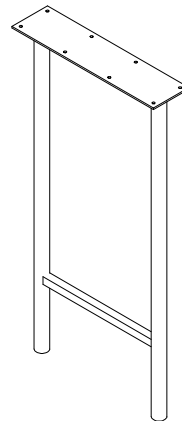
1. To protect the finish, avoid chemicals and household cleaners.
2. Keep away from the heat source to prolong the service life.
3. Wipe up any spilled liquid on top with a damp cloth.

## Components

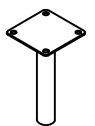
**Dressing table  
(A x 1)**



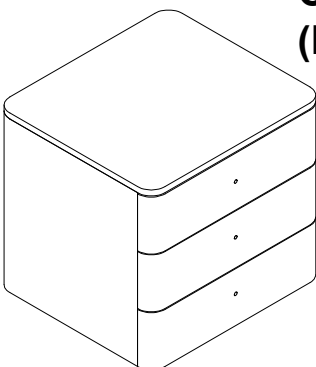
**Iron frame(C x 1)**



**Cabinet feet  
(D x 4)**



**Cabinet  
(B x 1)**



**Self tapping screw  
short(E x 24)**



**Self tapping screw  
long(F x 4)**



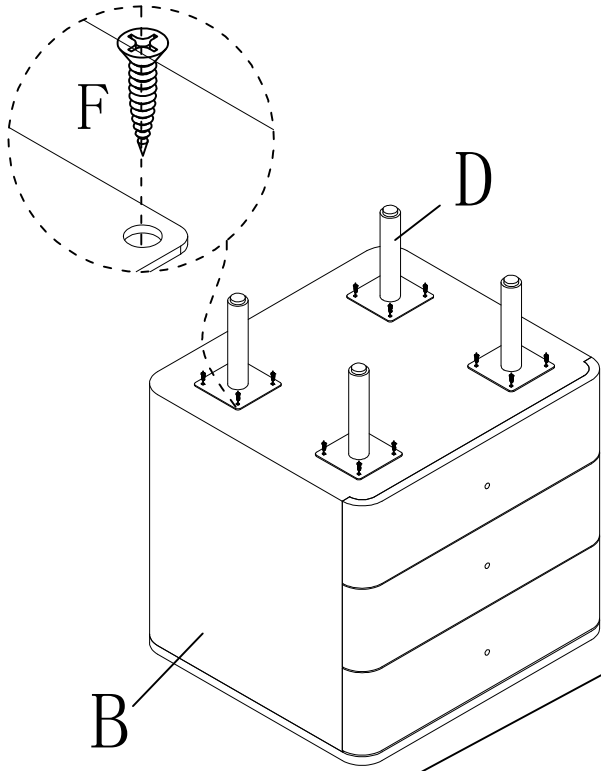
**Pads  
G x 2)**



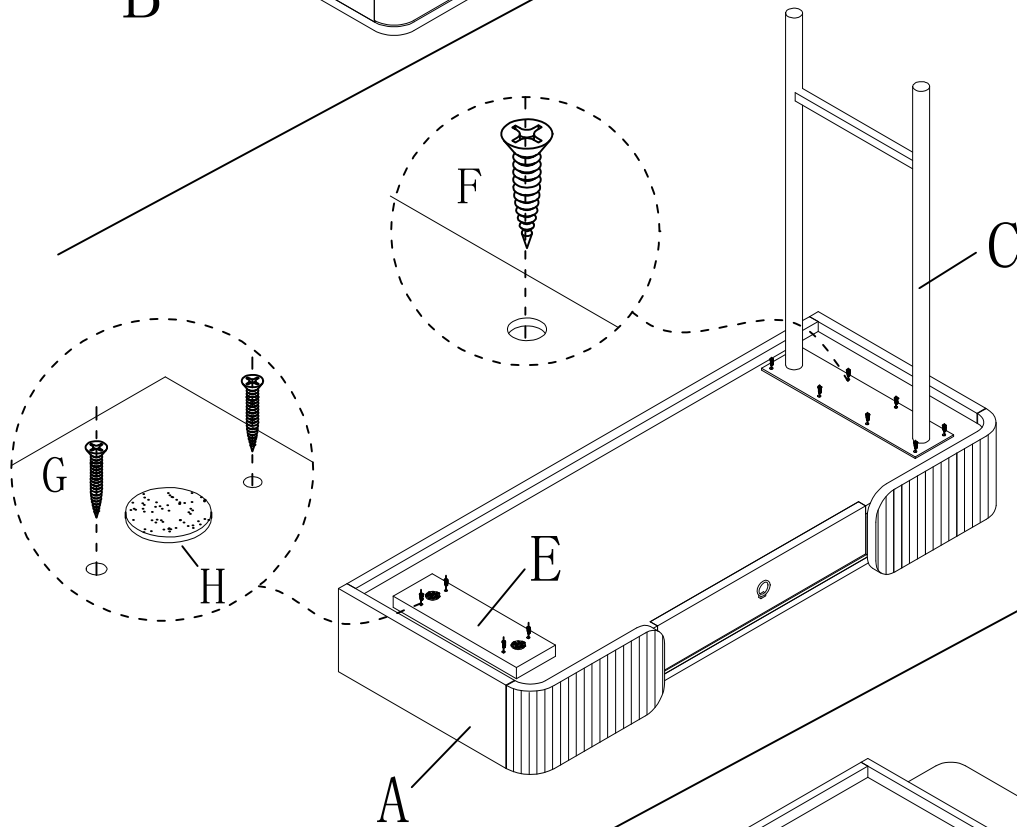
**Note:** Do not fully tighten all bolts until all parts are in place. Failure to follow these instructions may cause the bolt to misalign during assembly.

# Installation Guide

Confirm the orientation of the cabinet's base through the drawer, and then fix the cabinet feet (D) at the bottom of the cabinet with the self tapping screws (F).



Fasten the iron frame (C) to the bottom of the vanity table (select left or right as you need) with long self tapping screws (F), then fix the support plate (E) with short self tapping screws (G), and affix two pads (H) on the other side.



Finally, open the chest of the drawer of the cabinet, remove the handle and reinstall it on the front.

