

# BUTURE

## USER MANUAL

Model: VC40  
Cordless Vacuum Cleaner

Email: [tech-support@ibuture.com](mailto:tech-support@ibuture.com)





# LANGUAGE

English	05-18
Deutsch	19-32
Français	33-46
Español	47-60
Italiano	61-74
日本語	75-88

# CONTENT

1. WARNING.....	05
2. PACKAGE LIST.....	06
3. KNOW THE PRODUCT.....	07
3.1 Product Details.....	07
3.2 Digital Touch Screen.....	08
3.3 Accessories Function.....	08
4. PRODUCT ASSEMBLY.....	09
4.1 Install Vacuum Cleaner.....	09
4.2 Install Wall Mount.....	10
5. HOW TO USE .....	10
5.1 Charging.....	10
5.2 Operating.....	12
6. MAINTENANCE .....	13
6.1 Main Body Cleaning.....	13
6.2 Empty Dust Cup.....	13
6.3 Wash Dust Cup and Filters.....	14
6.4 Brush Roller Cleaning.....	15
7. SPECIFICATION .....	17
8. TROUBLESHOOTING .....	17
9. WARRANTY.....	18

# 1. WARNING

Thank you for purchasing the **BUTURE VC40** cordless vacuum cleaner.

**Before using this machine, please read the following safety warning first and take safety protection measures to avoid malfunctions caused by improper operation.**

- This BUTURE appliance is not intended for use by persons (including children) with reduced physical, sensory or mental capabilities, or lack of experience and knowledge, unless they have been given supervision or instruction by a responsible person concerning use of the appliance to ensure that they can use it safely.
- Suitable for dry locations only. **Do not** use or store outdoors with wet surfaces. **Do not** handle any part of the plug or appliance with wet hands. Store properly in a dry place indoors.
- **Do not** use a damaged cable or plug. If the device or charger does not work properly, dropped, damaged, missed or dropped into water, please contact **tech-support@ibuture.com**, BuTure after-sales team for support.
- **Do not** vacuum flammable or combustible liquids, such as petrol, or use in areas where liquids may be present.
- Turn off the power switch before plug or unplug the adapter.
- **Do not** vacuum anything that is burning or smoking, such as cigarettes, matches or hot ashes
- **Do not** use without filters or dust cup to avoid damaging the motor and contaminating the air. Wash hands after using the vacuum cleaner.
- **FIRE WARNING: Do not** place this product on or near a cooker or any other hot surface and do not incinerate this appliance even if it is severely damaged. The battery might catch fire or explode.
- Unplug the charger from the power outlet before performing routine cleaning or maintenance.
- Battery leaks may occur under extreme conditions. If any liquid gets on your skin wash quickly with soap and water. If liquid gets into your eyes, rinse with water for at least 15 minutes immediately. Seek medical attention immediately.
- Charge the unit with the charger we provided. Avoid using this product to vacuum hard, sharp objects, as this may cause damage.

**Note:** The vacuum cleaner adopted thermal protection technology to prevent overheating, will stop working when the item is over-heated.

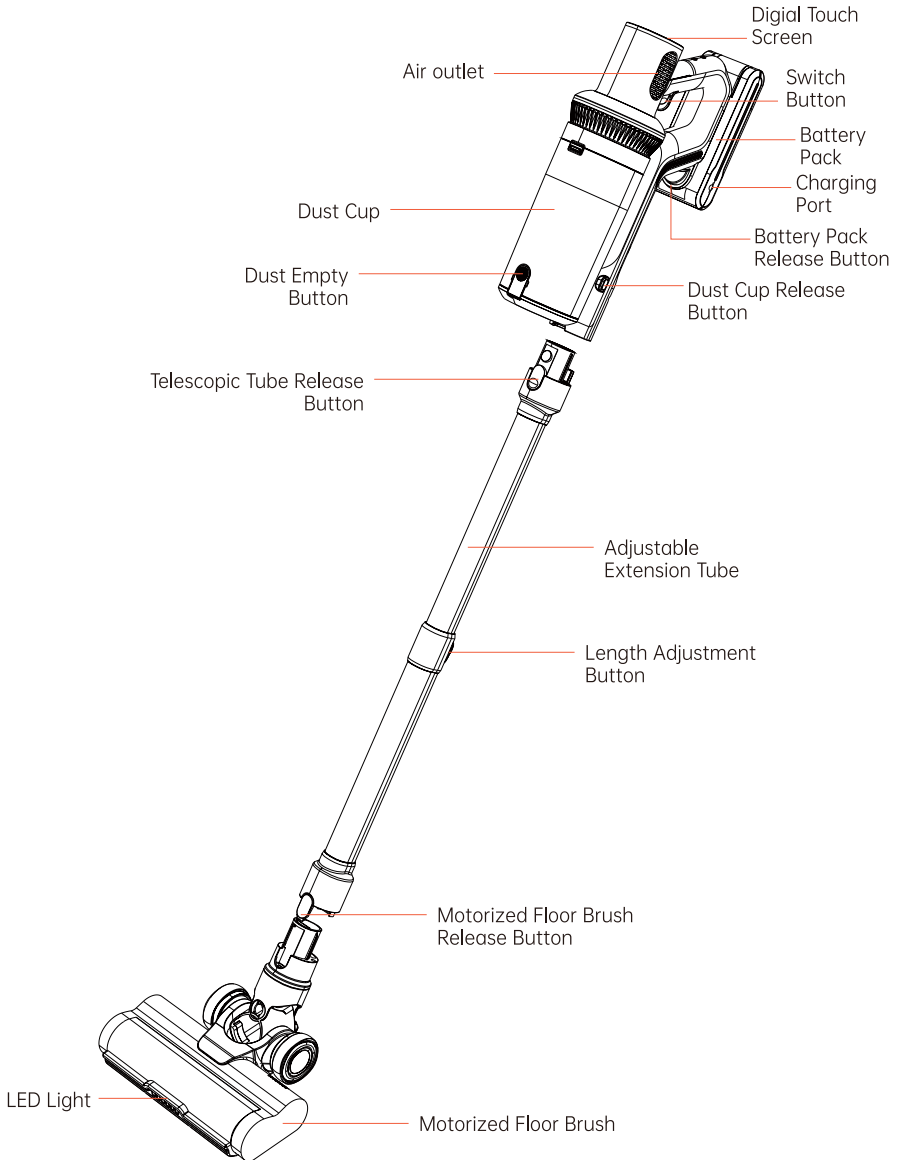
## 2. PACKAGE LIST

Please check and confirm the accessories and parts according to the following sheet before using.

PART NAME	QUANTITY
Main Body	1 pcs
Battery Pack	1 pcs
Adjustable Extension Tube	1 pcs
Motorized Floor Brush	1 pcs
Multi-fuction Rolling Brush (Installed)	1 pcs
Long Crevice Nozzle	1 pcs
2 in 1 Upholstery Brush	1 pcs
Extra Air inlet HEPA	1 pcs
Extra Air outlet HEPA	1 pcs
Mini Cleaning Brush	1 pcs
Wall Mount	1 pcs
Screw sets	1 set
User Manual	1 pcs
Charger	1 pcs

## 3. KNOW THE PRODUCT

### 3.1 Product Details



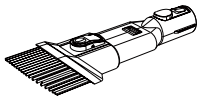
## 3.2 Digital Touch Screen



## 3.3 Accessories Function

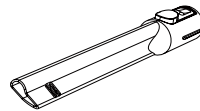
### 2 in 1 Upholstery Brush

Easy to snap-on design, can help you remove dust and hair on the carpet.



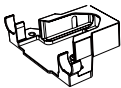
### Long Crevice Nozzle

Remove dust on the hard-to-reach areas like windows, bed feet, gaps between sofa, etc.



### Wall Mount

Hold the vacuum and accessories on the wall-mounted plate for easy storage and battery charging.



### Mini Cleaning Brush

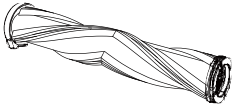
Remove hair, rubbish, and micro dust on the accessories or filters.





## Multi-fuction Rolling Brush

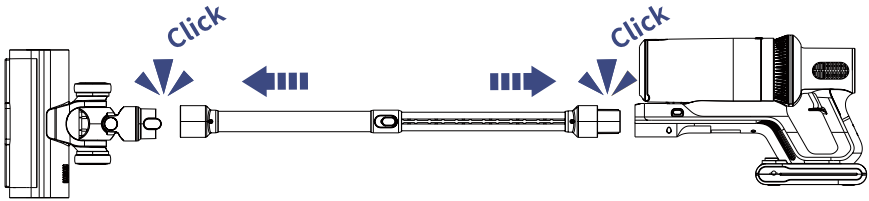
Remove dust, debris, and hair from all kinds of floors, carpets, and velvet.



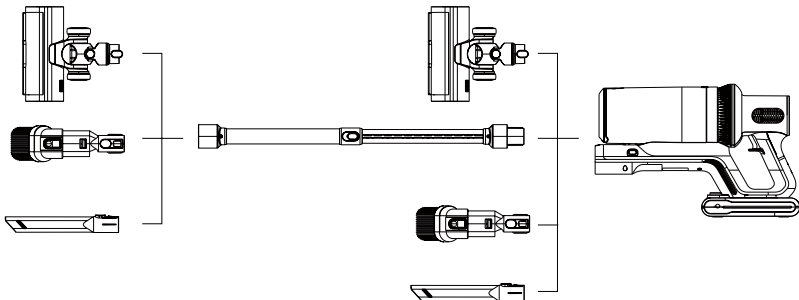
# 4. PRODUCT ASSEMBLY

## 4.1 Install Vacuum Cleaner

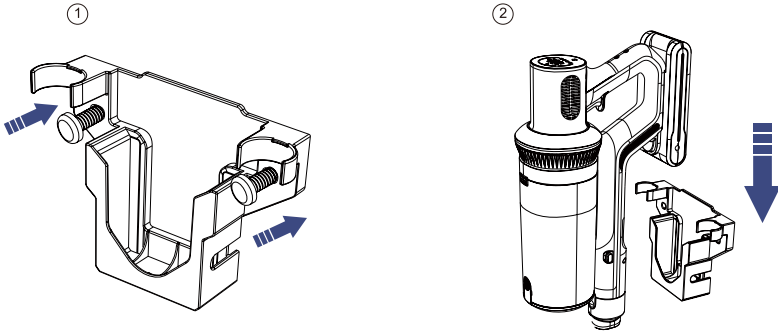
### 4.1.1 Directly Install Cleaning Accessories



### 4.1.2 Install Extension Tube & Cleaning Accessories



## 4.2 Install Wall Mount



### WARNING

- Please make sure there is no gas, water, or electrical cables and wires behind the mounting area.
- To avoid the dock dropping down, please make sure it must be installed firmly.
- Store appropriately indoors in a dry place. Do not expose the machine to sunlight or freezing temperature. Recommended temperature range: 39.2°F (4°C)-104°F(40°C).

## 5. HOW TO USE

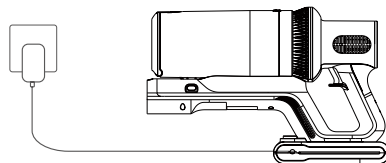
### 5.1 Charging



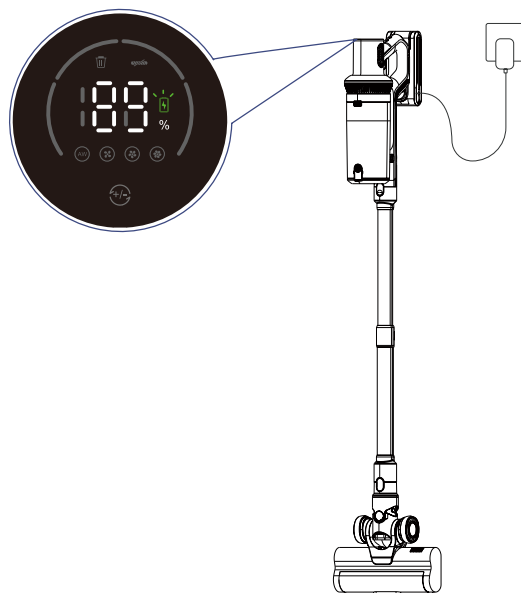
- When using a new battery or using it for the first time after long-term storage, please fully charge the battery first.
- When storing and not using the vacuum cleaner for a long time, please ensure that it is charged and discharged at least once every three months.

#### • Charging Methods

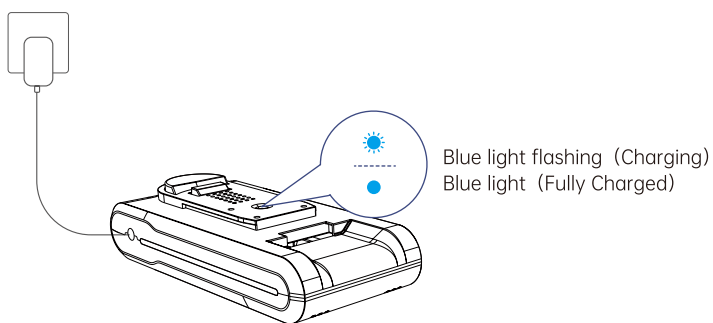
- i. Connect the main body to charge.



ii. Hang on the wall mount to charge.



iii. Charge the battery directly.



## 5.2 Operating

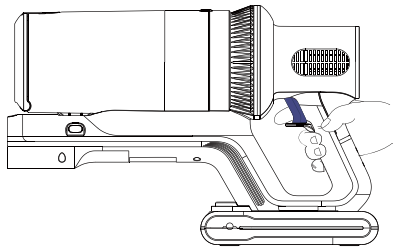


### Before each use, make sure that

- The battery is fully charged, and fixed in place.
- The dust cup and filters are cleaned, and fixed in place.

### • Start To Work

Press the switch button to turn it on and it will start Medium suction. Press again to turn it off.



### • Adjust Suction Level - Min->Mid->Max



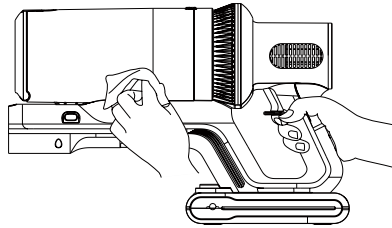
Press the switch button to turn it on and it will start minimum Mode. Press  to adjust to medium Mode. Press again to adjust to maximum Mode.

## 6. MAINTENANCE

Tip: Please clean the vacuum cleaner regularly to extend its lifespan.

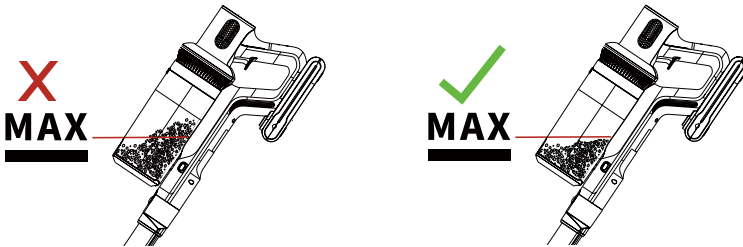
### 6.1 Main Body Cleaning

- Turn off the power before cleaning the body.
- Please use a neutral detergent, wipe the body with half-wet cloth.
- Please avoid sun exposure and store in a cool and dry place.

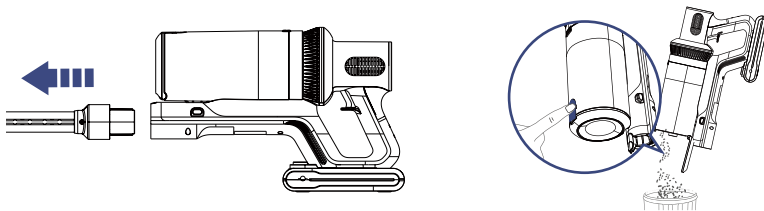


### 6.2 Empty Dust Cup

- When using, if the garbage in the dust cup exceeds MAX Line, please empty it in time.



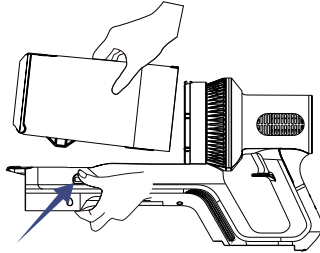
- Press the dust empty button to empty the dust.



## 6.3 Wash Dust Cup and Filters

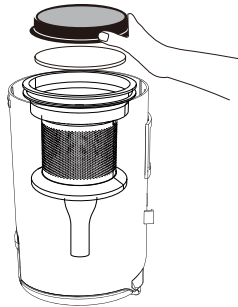
- Remove dust cup from main body.

Press the dust cup release button on the main body, then get the dust cup released from the main body.

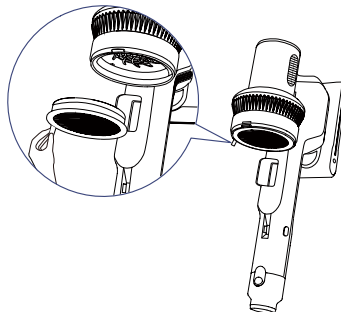


- Remove filters from dust cup.

First lift up the sponge filter, then lift up the entire cyclone filter, including the multi-cone filter. Finally, rotate the multi-cone filter counterclockwise to separate it from the cyclone filter.



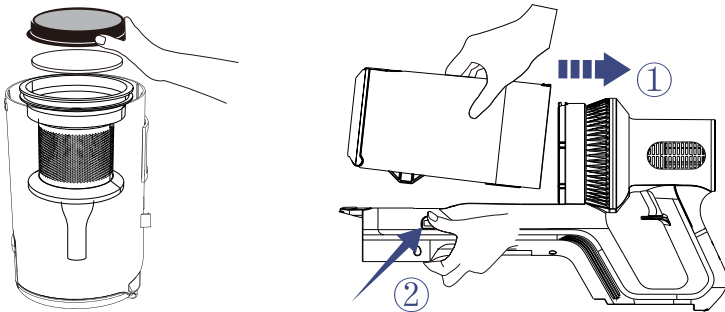
- Remove HEPA filter from main body.



- Clean dust cup and filters with water. Make sure that the dust cup and filters have dried before use.



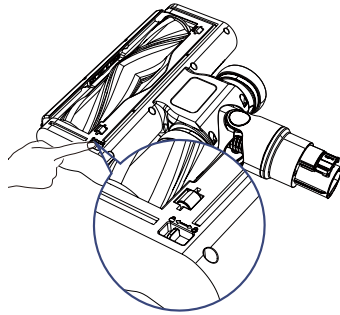
- Install the multi-cone filter and HEPA filter clockwise, aligning the clips to install the cyclone filter. Then install the sponge filter and dust cup.



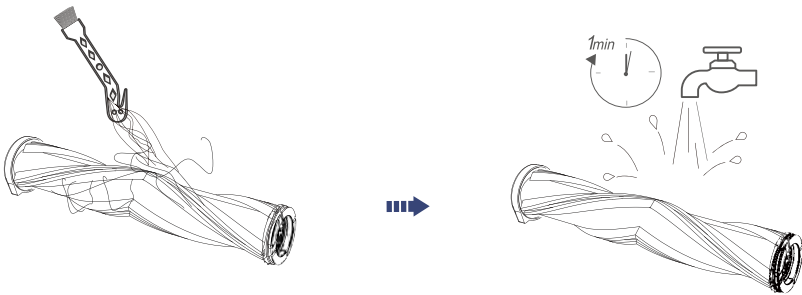
## 6.4 Brush Roller Cleaning

Tip: After long periods of use, the bristle may be jammed by hair or similar build-up. It's recommended to clean the brush roller periodically to ensure efficient operation and maintain suction.

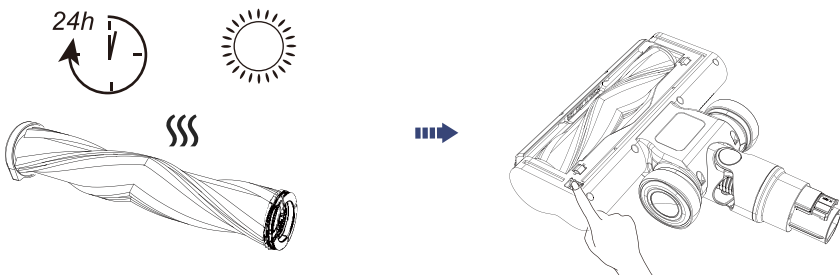
- Push the button to the "unlock" sign, remove the brush roller.



- Remove the debris wrapped around the roller with the mini cleaning brush, then flush the roller with water.



- Gently push the brush roller into the motored brush, until securely in place. Make sure the brush roller is completely dry before using.





## 7. SPECIFICATION

Model	VC40
Rated voltage	25.9V
Suction level	Min-Mid-Max
Charge time	4-5H

## 8. TROUBLESHOOTING

ISSUE	CAUSE	SOLUTION
Vacuum cleaner not work	<ul style="list-style-type: none"> <li>① Out of power.</li> <li>② Battery pack not installed in place or has failed.</li> <li>③ Motor has failed.</li> </ul>	<ul style="list-style-type: none"> <li>① Full charge the vacuum cleaner.</li> <li>② Battery pack installed in place.</li> <li>③ Contact BuTure Team via email for replacing the battery or motor.</li> </ul>
Weak suction	<ul style="list-style-type: none"> <li>① Dust cup is full of garbage.</li> <li>② Motorized floor brush, tube or filters is clogged with garbage.</li> <li>③ Low battery power.</li> <li>④ Dust cup or filter are not installed correctly.</li> </ul>	<ul style="list-style-type: none"> <li>① Empty the dust cup.</li> <li>② Clear out any garbage that is blocking the motorized floor brush, tube or filters.</li> <li>③ Full charge the vacuum cleaner.</li> <li>④ Install the multi-cone filter, HEPA filter and dust cup according to the instruction correctly.</li> </ul>
Charging is not normal	<ul style="list-style-type: none"> <li>① Charger is not correctly connected.</li> <li>② Battery pack or charger has failed.</li> <li>③ Charger is not original.</li> </ul>	<ul style="list-style-type: none"> <li>① Make sure the charger are fully plugged in socket.</li> <li>② Contact BuTure Team via email for replacing the battery or charger.</li> <li>③ Use the original charger provided by BuTure only.</li> </ul>
Insufficient use time after charging	<ul style="list-style-type: none"> <li>① Insufficient charging time.</li> <li>② Motorized floor brush, dust cup, tube or filters is clogged with garbage.</li> <li>③ Battery aging.</li> </ul>	<ul style="list-style-type: none"> <li>① Full charge the vacuum cleaner.</li> <li>② Clear out any garbage that is blocking the motorized floor brush, dust cup, tube or filters.</li> <li>③ Contact BuTure Team via email for replacing the battery.</li> </ul>
Motorized floor brush stops with four indicators on the battery pack flashing	Motorized floor brush is clogged with garbage.	Clear out any garbage that is blocking the motorized floor brush.

## 9. WARRANTY

### 9.1 The 2-Year Warranty

- Our BuTure machine has a 2-year warranty against original defects in material and workmanship, when used for private household purposes in accordance with the BuTure Instruction Manual.
- This warranty provides, at no extra cost to you, all labor and parts necessary to ensure your machine is in proper operating condition during the warranty period.

### 9.2 What is covered?

Only applies to purchases made from authorized retailers of BuTure.

This warranty will only be valid if the machine is used in the country in which it was sold.

### 9.3 How to claim?

Please keep your proof of purchase. To make a claim under our warranty, you need to provide your original purchase receipt with the purchase date and order number on it.

**If your machine is not functioning properly, or you still have any questions after reading this manual carefully, please feel free to contact us, we will reply to you in 24 hours and try our best to provide you with a satisfactory solution.**

**Email our Customer Service: [tech-support@ibuture.com](mailto:tech-support@ibuture.com)**