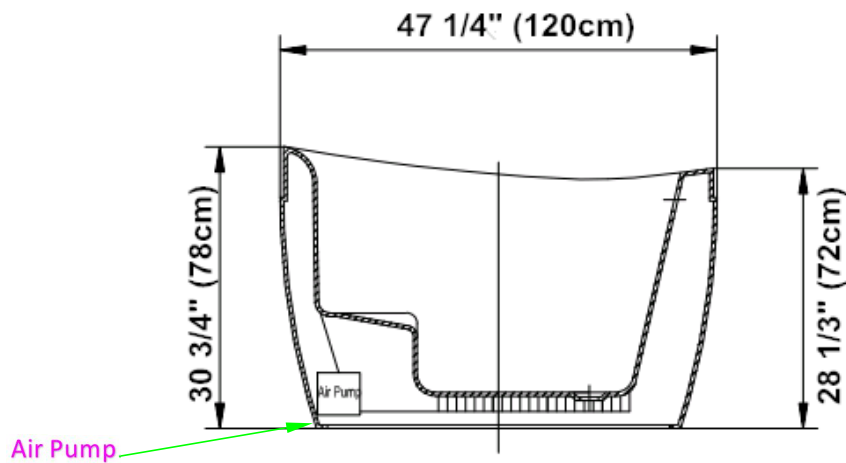
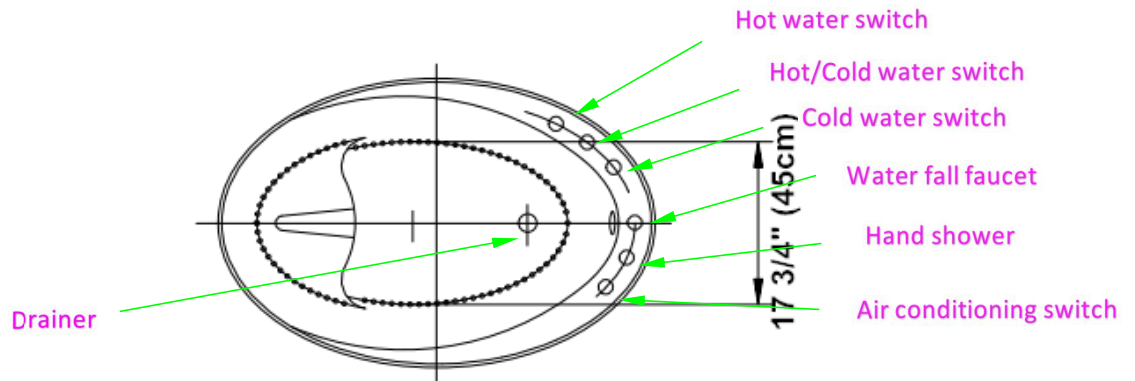


# PIN-HOLE FREESTANDING TUB INSTALLATION INSTRUCTIONS





# PIN-HOLE FREESTANDING TUB INSTALLATION INSTRUCTIONS

- ⚠ WARNING: Risk of electric shock.** Do not permit electrical appliances near any bathtub when bathtub contains water.
- ⚠ WARNING: Risk of electric shock.** Connect only to a circuit protected by a Ground-Fault Circuit-Interrupter (GFCI).
- ⚠ WARNING: Risk of injury or property damage.** Please read all instructions thoroughly before beginning installation, including the following requirements.
- ⚠ WARNING: Risk of electric shock.** A qualified electrician should make all electrical connections.

## Product information

Each bath arrives ready for installation. Factory installed components include a blower motor with power supply cord, check valve, air piping and switch. Other than electrical wiring and plumbing, no assembly is needed.

**WARNING: Unauthorized modification may cause unsafe operation or affect performance of the bath with pinhole.** Do not relocate the blower motor, or make other modifications to the system in the absence of Kit instructions, as this could adversely affect the performance and safe operation of the bath with pinhole. Empava shall not be liable under its warranty or otherwise for personal injury or damage caused by any such unauthorized modification.

## Electrical Requirements

The installation must have a Class A Ground-Fault Circuit-Interrupter (GFCI) or Residual Current Device (RCD). The GFCI or RCD protect against line-to-ground shock hazard. **Use a 110 V, 60Hz dedicated service for the bath.**

---

## Product Notices

**NOTICE:** Keep the area around the blower clean and free of debris. Ensure that the area around the blower is free of sawdust, insulation, dirt and other small loose debris. Such material can block the blower air ducts and reduce the air flow through the blower.

### 1. Prepare the Site

**NOTICE:** Measure your actual product for site preparation.

**NOTICE: Provide generous, unrestricted access to the blower. Make sure the bathtub bottom at least 1/2" above floor.** You must provide access for servicing the blower. The access must be located immediately next to the blower.

**NOTICE:** Do not lift the bath by the piping or blower, our use the piping or blower for structural support of the bath. To avoid damage to the bath, lift by the rim at the sides of the bath.



# PIN-HOLE FREESTANDING TUB INSTALLATION INSTRUCTIONS

**NOTICE:** Do not support the weight of the bath by the rim.

**NOTE:**


- Carefully unpack and inspect the new bath for damage before installation. If there is damage do not install the bath; contact your dealer.
- Make sure the flooring offers adequate support for your bath.


## 2. Install the Bath

### Install the Plumbing

- Install the faucet valve.
- Check the drain connections for leakage.

## 3. Make the Electrical Connections

 **WARNING: Risk of electric shock.** Make sure the power has been disconnected before performing the following procedures.

 **WARNING: Risk of electric shock.** Connect the blower motor to a properly grounded, grounding-type receptacle protected by a Ground-Fault Circuit-Interrupter (GFCI) or Residual Current Device (RCD). Do not remove the grounding pin from the plug. Do not use a grounding adapter.

**NOTICE:** The blower motor is equipped with a cord and plug. A qualified electrician must install a GFCI- or RCD-protected, 110V, 60Hz, grounded outlet for the blower. No other load should be on this circuit.

- Install an electrical outlet behind the bath, at least 1-1/2" above the floor, and within reach of the 24" (610mm) power cord.
- Plug the blower into this outlet.

## 4. Complete the Installation

### Test Run the Bath

- Fill the bath to a level at least 4" (102mm) above the top of the highest pinhole.
- Press Start
- Operate the bath for 5 minutes and check all bath piping connections for leaks. Check for leakage all around the bath.

### Clean-up After Installation

- When cleaning up after installation, **do not use abrasive cleansers**, as they may scratch and dull the bath surface. Use warm water and a liquid detergent to clean the surface of the bath.
- **Do not allow cleaners containing petroleum distillates to remain in contact with any bath surface for long periods of time.** Do not use metal scrapers, wire brushes,



# PIN-HOLE FREESTANDING TUB INSTALLATION INSTRUCTIONS

or other metal tools. Use a powder-type detergent on a damp cloth to provide mild abrasive action to any residual plaster.

## Cleaning and Maintenance:

- **System drain and purge air immediately after use.** Re-tart the air pump after the bath has been drained. 2 minutes later stop it, the purge system would blows any residual water out of the air channels.
- **Do not use powdered cleaners unless the cleaner is fully dissolved in water.** Solid substances could block the air jets.
- **Do not use wire brushes, knives or sharp objects to remove stains or other surface blemishes.**
- **Do not use full strength bleach or ammonia cleaning solutions.** Chemically active cleaning solutions can damage the bath surface.
- **Do not use abrasive cleansers or solvents on acrylic surfaces.**
- Do not allow nail polish remover, acetone, dry-cleaning fluid, paint remover or other solvents to come into contact with the bath surface.

## Maintain the PINHOLE

- If cleaning the pinhole is required due to hard water deposits, use a small toothbrush and white vinegar. Dip the brush in the vinegar, brush the hole, rinse the brush in clean water, and then use the wet rinsed brush to rinse the hole.

## Important Safety Instructions

- ⚠ **DANGER: Risk of accidental injury or drowning.** To reduce the risk of injury, do not permit children to use this unit unless they are closely supervised at all times.
- ⚠ **DANGER: Risk of personal Injury.** To avoid injury, exercise care when entering or exiting the bath.
- ⚠ **WARNING: Risk of electric shock.** Do not permit electric appliances (such as a hair dryer, lamp, television, or radio) within 5' (1.5m) of this bath.
- ⚠ **WARNING: No Food or Alcoholic Beverages.** Use of your bathtub immediately after meals is not recommended. Avoid alcohol consumption before or during bathing. Alcoholic beverages can cause drowsiness or hyperthermia resulting in loss of consciousness or even drowning.
- ⚠ **WARNING: Risk of hyperthermia or drowning.** Water temperature in excess of 100°F (38°C) may cause injury. Test and adjust the water temperature before use.
- ⚠ **WARNING: Pregnancy.** If you are or think you may be pregnant, consult your physician before using the bathtub.