

Tignes

LK90TTBLACK • LK90TTGREEN • LK90TTPINK • LK90TTRED

91L Retro Mini Fridge with Built-In Freezer Compartment



Available Colors

- Black**
LK90TTBLACK
- Green**
LK90TTGREEN
- Red**
LK90TTRED
- Pink**
LK90TTPINK

Signature Features

Retro Style & Practical Design

• Eclectic color options with a smooth glossy finish adding a pop of fun to any kitchen design or concept. Ideal for dorms, offices, bedrooms, RVs, and garages.

Deep Vegetable Crisper & Detachable Shelf

• Telescopic drawer to keep the freshness of stored items for longer.

Energy Efficient & Quiet Operation

• Rated 3.5 Star in energy efficiency. R600a compressor is highly efficient and low energy consumption. Energy efficient LED light for better visibility in all corners of the fridge.

Sub-Tropical (SN/N/ST) Rating

• 7 temperature settings ranging from 2-8°C, mini fridge is rated for use in sub-tropical conditions to stay cool in the Australian climate.

Mechanical Temperature Control System

• Ease of use with innovative design. Adjust for optimal control of temperature allowing food longer lasting freshness.

Important: The temperature of the freezer is affected by the temperature settings of the cooler. Select the most beneficial temperature setting to keep the food fresh while saving money on electricity.

Features



linärie

PRODUCT FEATURES

Tignes Retro Mini Fridge • LK90TTGREEN

 Retro Style	<h1 style="font-size: 2em; margin: 0;">91L</h1> <p>Capacity</p>	 Removable Shelves
 Vegetable Crisper	 Adjustable Temperature	<h1 style="font-size: 2em; margin: 0;">ST</h1> <p>Sub-Tropical Rating</p>
 Quiet Operation	 Glass Shelves	 Interior Light
 Egg Tray	 Easy to Clean	 Australian Plug

Tignes

LK90TTBLACK • LK90TTGREEN • LK90TTPINK • LK90TTRED

91L Retro Mini Fridge with Built-In Freezer Compartment

Specifications

- Net Capacity: 91L
- Free-standing installation
- Power source: 220-240W / 50Hz
- 105kWh annual energy consumption
- 0.28kWh of power required per day
- R600a (20g) Refrigerant
- 3.5 Energy Star
- 1A Ampere
- Mechanical control system
- SN/N/ST Climate class
- 7 temperature settings; 2-8°C range
- < 42db Noise level

Product Features

- 91L Capacity
- Built-in freezer compartment
- 1 Ice box
- 1 Water collection tray
- Semi-automatic defrosting of the fresh food compartment
- Manual defrosting of the built-in freezer
- 1 Detachable tempered glass shelf
- 1 Vegetable crisper with tempered glass cover
- 3 Door balconies + 1 egg tray
- Lamp Power: 10W max

Aesthetics

- Rounded corners and a retro integrated frame
- Upper recessed door handle
- Indoor temperature control
- Cyclopentane insulation foam (C5H10)
- Metal insulated side panels
- Right side hinge
- Door is not reversible
- Free-standing installation
- 2 Adjustable front feet

Warranty

- Two (2) Year Parts and Labor
- *Extend your warranty by registering your product linarie.com.au*

Product Dimensions & Weight

- Outside: 448 (W) x 508 (D) x 874 (H) mm
- Weight: 21 kg

Shipping Dimensions & Weight

- Dimensions: 477 (W) x 550 (D) x 940 (H) mm
- Weight: 24 kg



Actual color may vary. Design, specifications, and color availability are subject to change without notice, check linarie.com.au for up-to-date information. © Linärie Appliances | Australia NOV22.V01

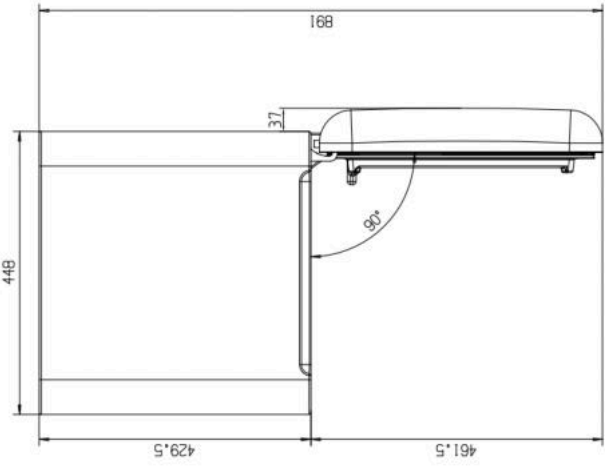
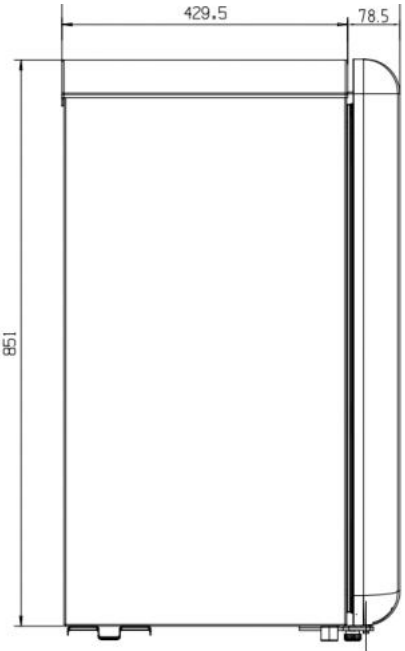
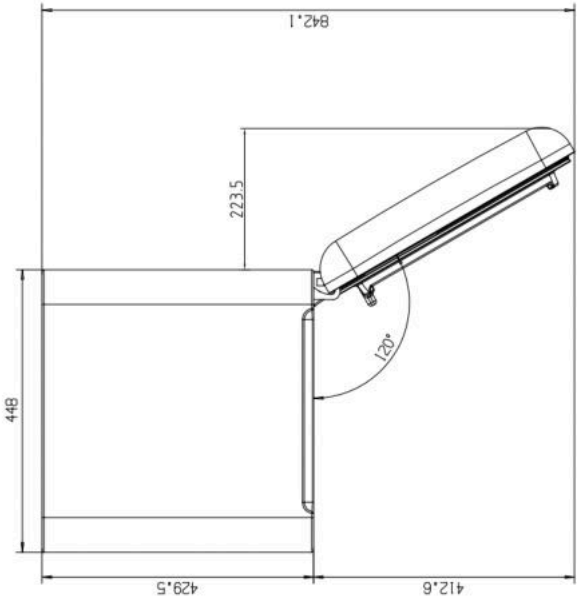
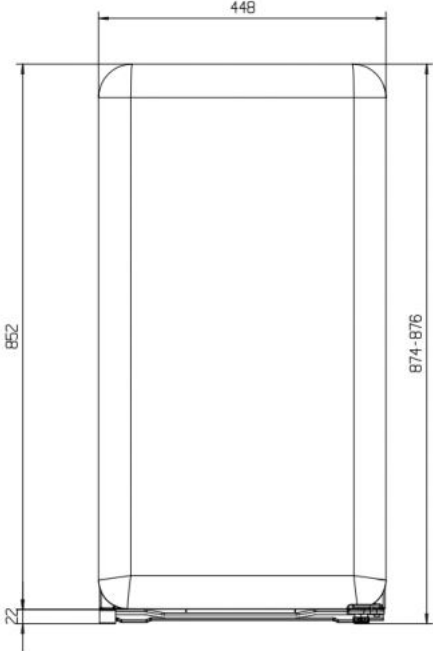
Tignes

LK90TTBLACK • LK90TTGREEN • LK90TTPINK • LK90TTRED

91L Retro Mini Fridge with Built-In Freezer Compartment

Installation Drawing

Check the user manual for detailed installation directions



● LK90TTBLACK



● LK90TTGREEN



● LK90TTPINK



● LK90TTRED

Actual color may vary. Design, specifications, and color availability are subject to change without notice, check linarie.com.au for up-to-date information. © Linärie Appliances | Australia NOV22.V01