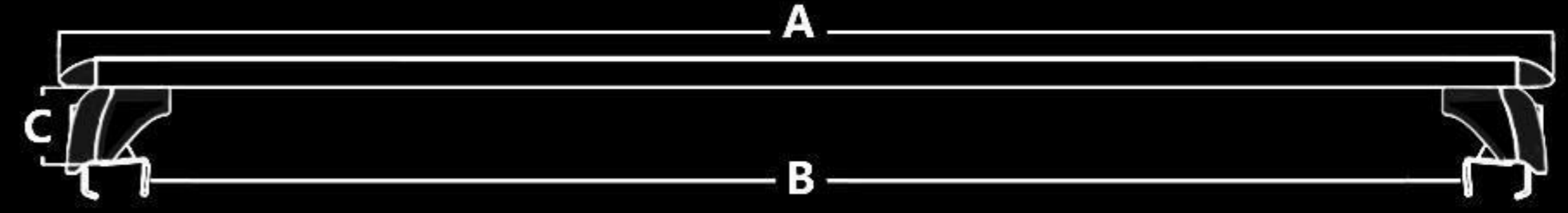
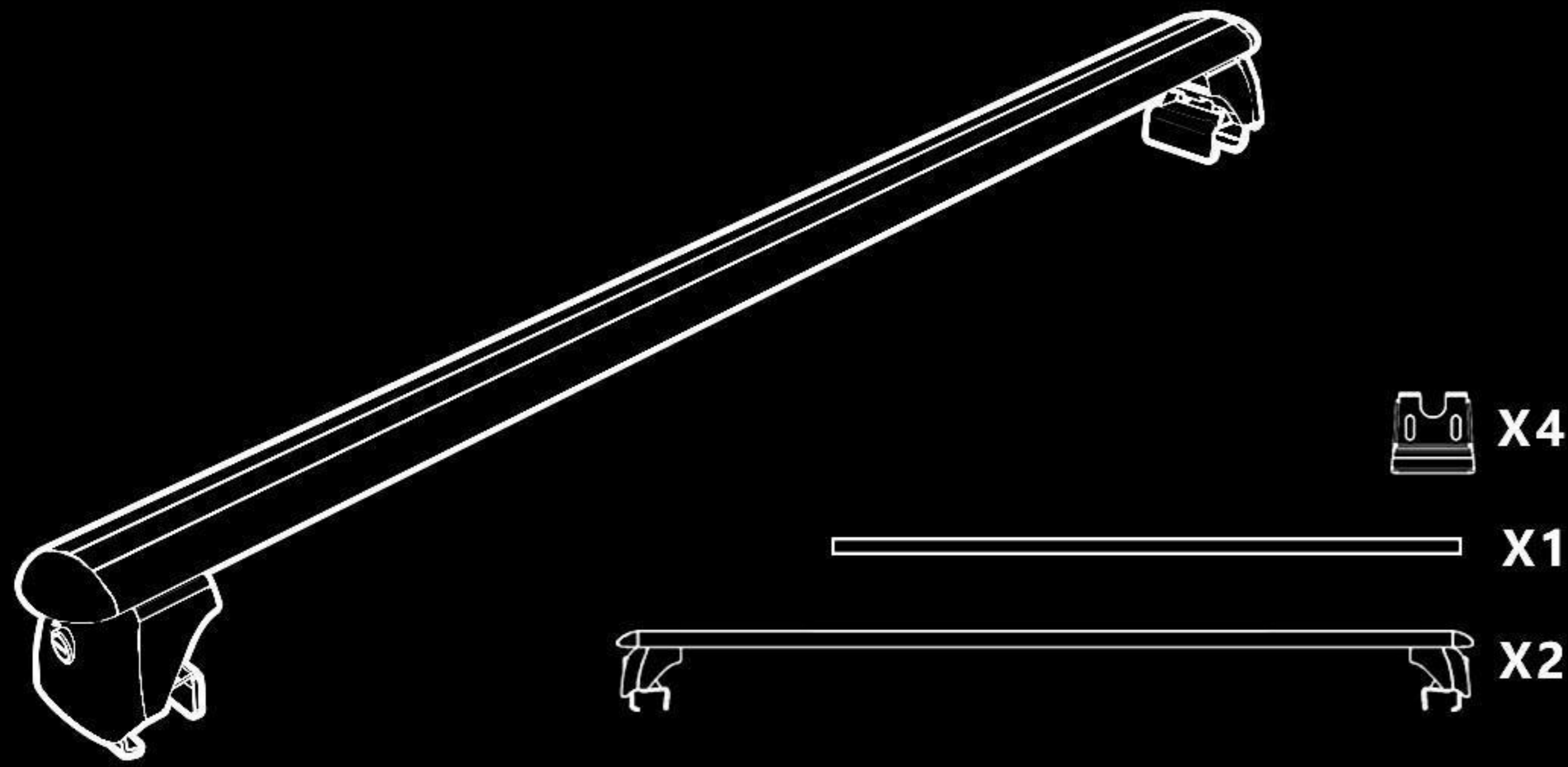


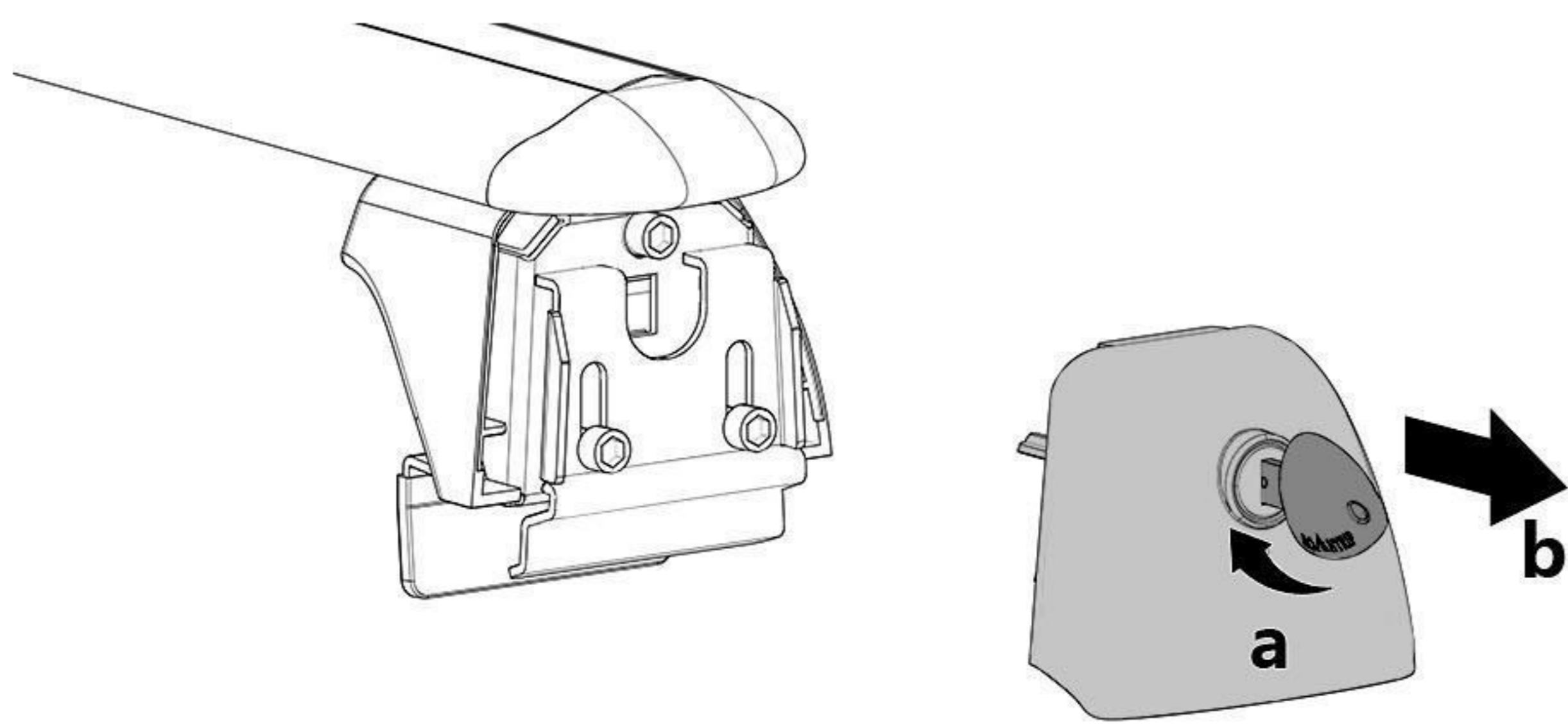


WINGLET UNIVERSAL ROOF RACK SYSTEM

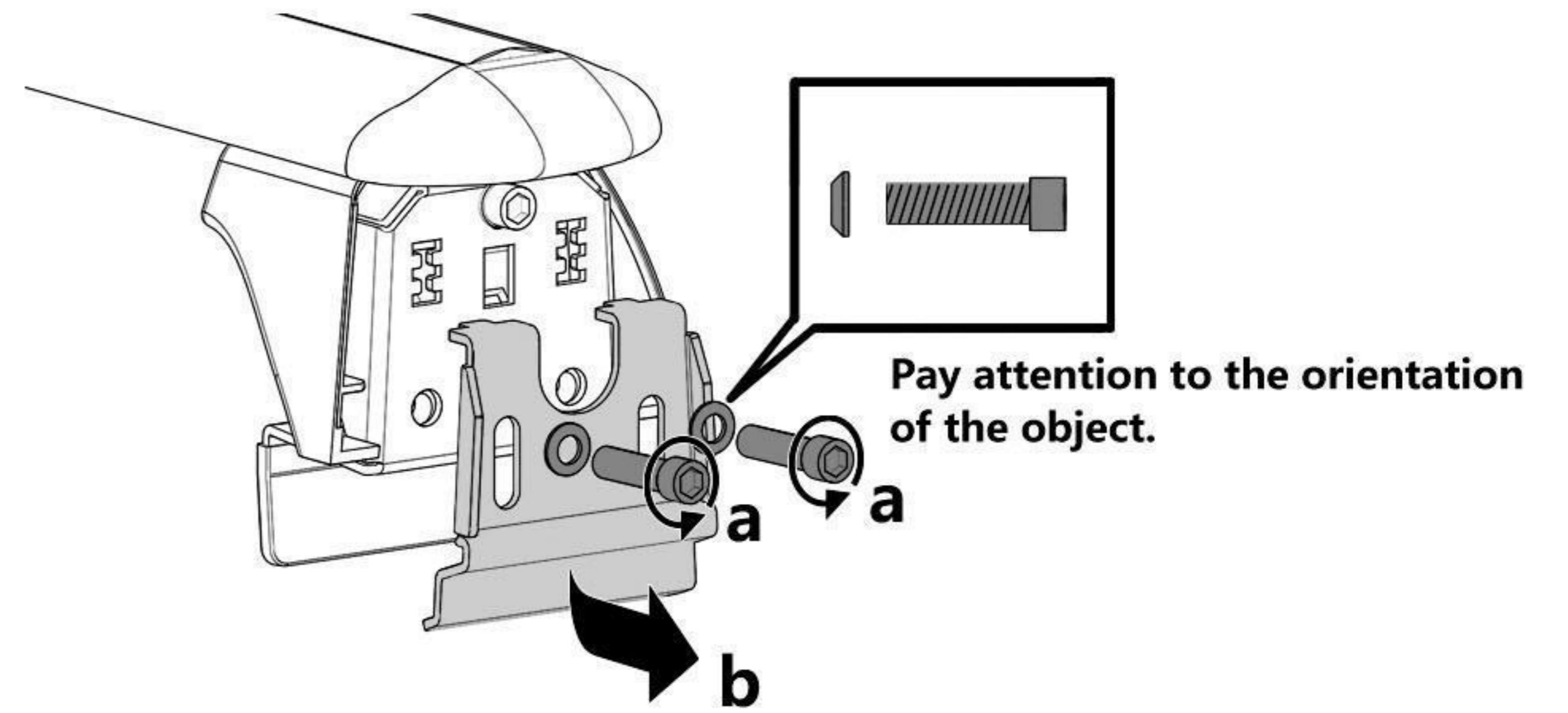
Installation instructions



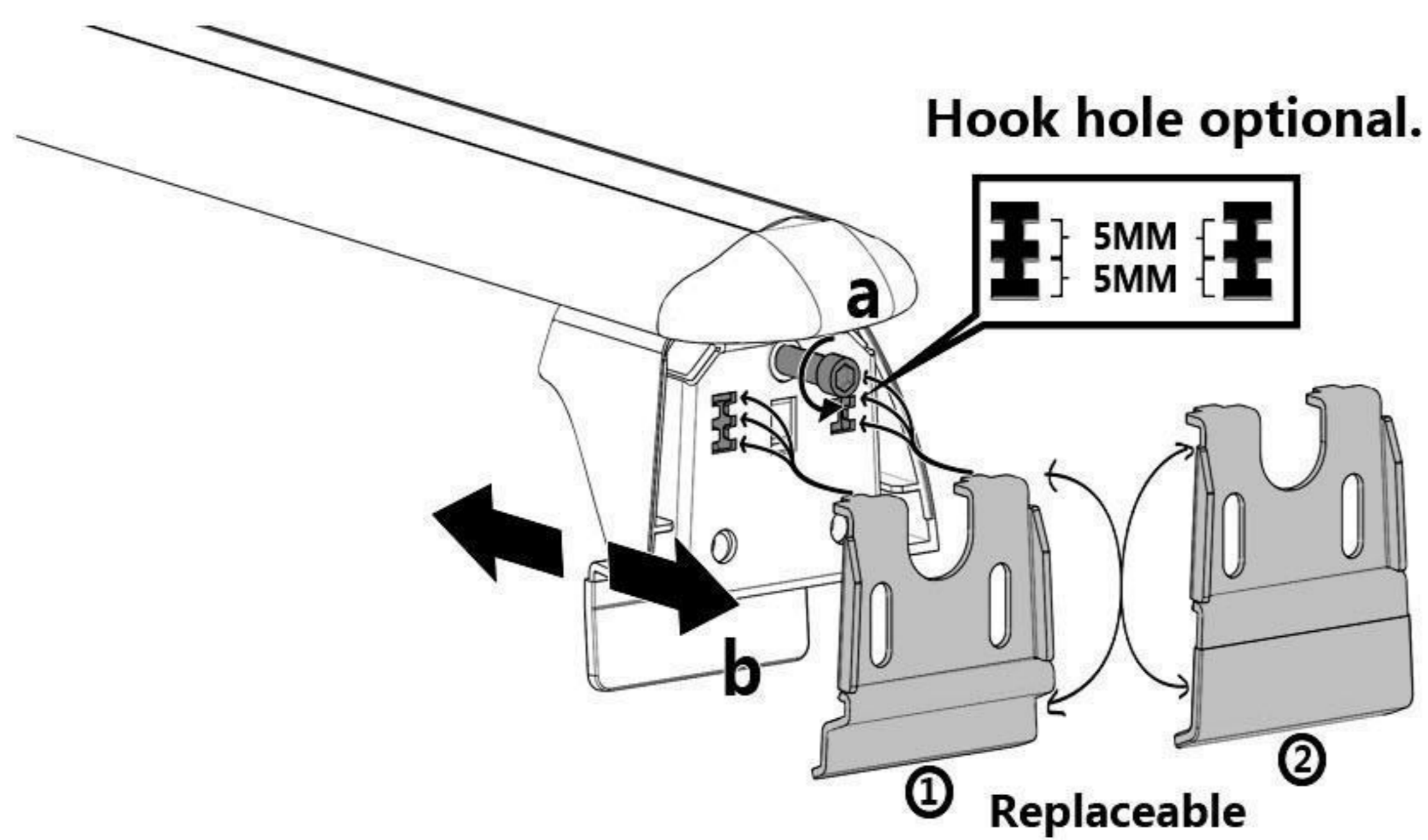
Model	A	B	C
BH-JYB115	45.54 inch	30.15-37.63 inch	2.58 inch
BH-JYB125	47.64 inch	34.25-41.73 inch	2.58 inch
BH-JYB135	51.57 inch	38.19-45.67 inch	2.58 inch
BH-JYB145	55.51 inch	42.13-49.61 inch	2.58 inch



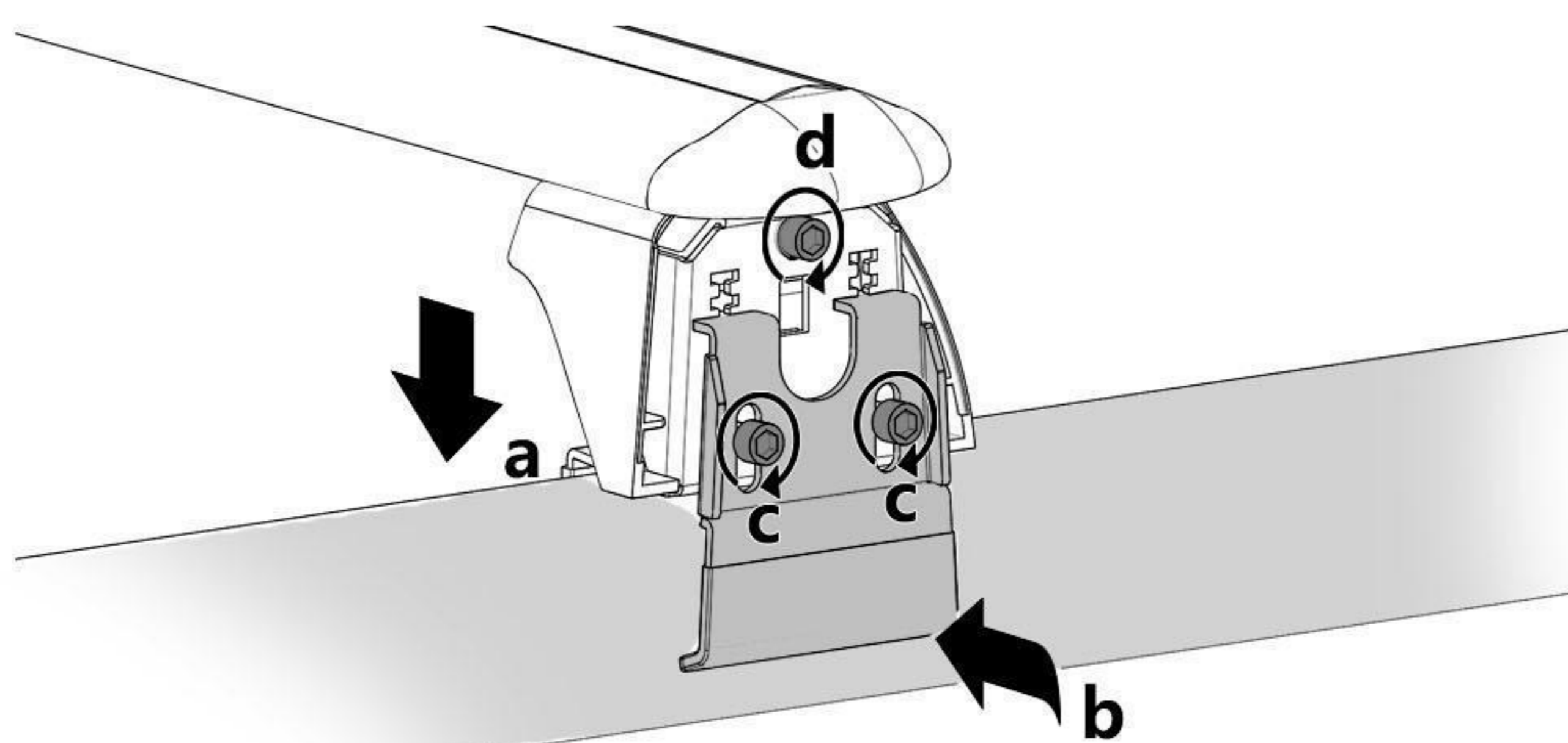
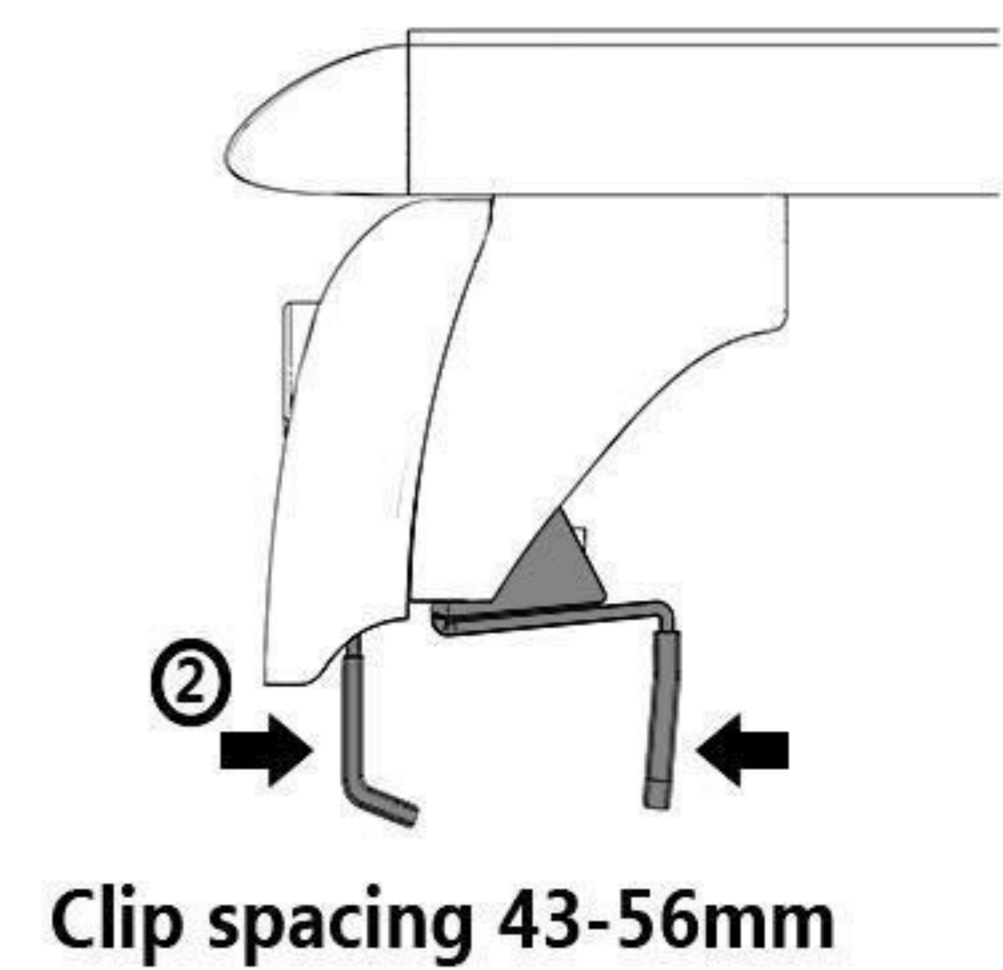
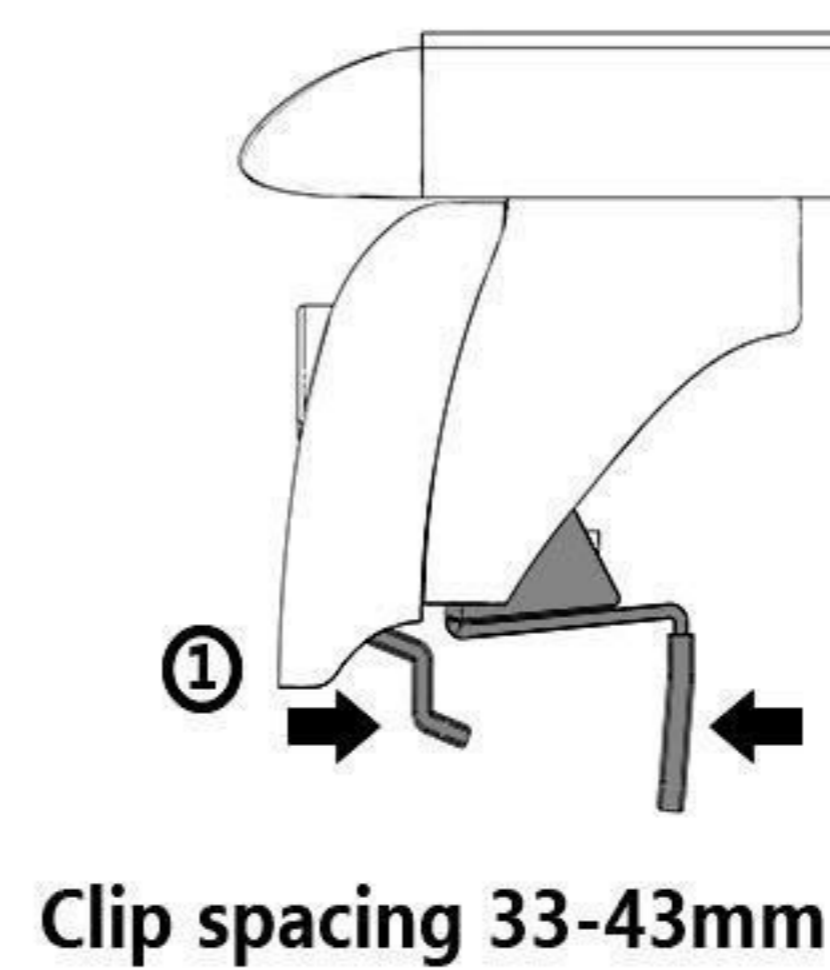
a: Turn the key to unlock. b: Remove the lock mask.



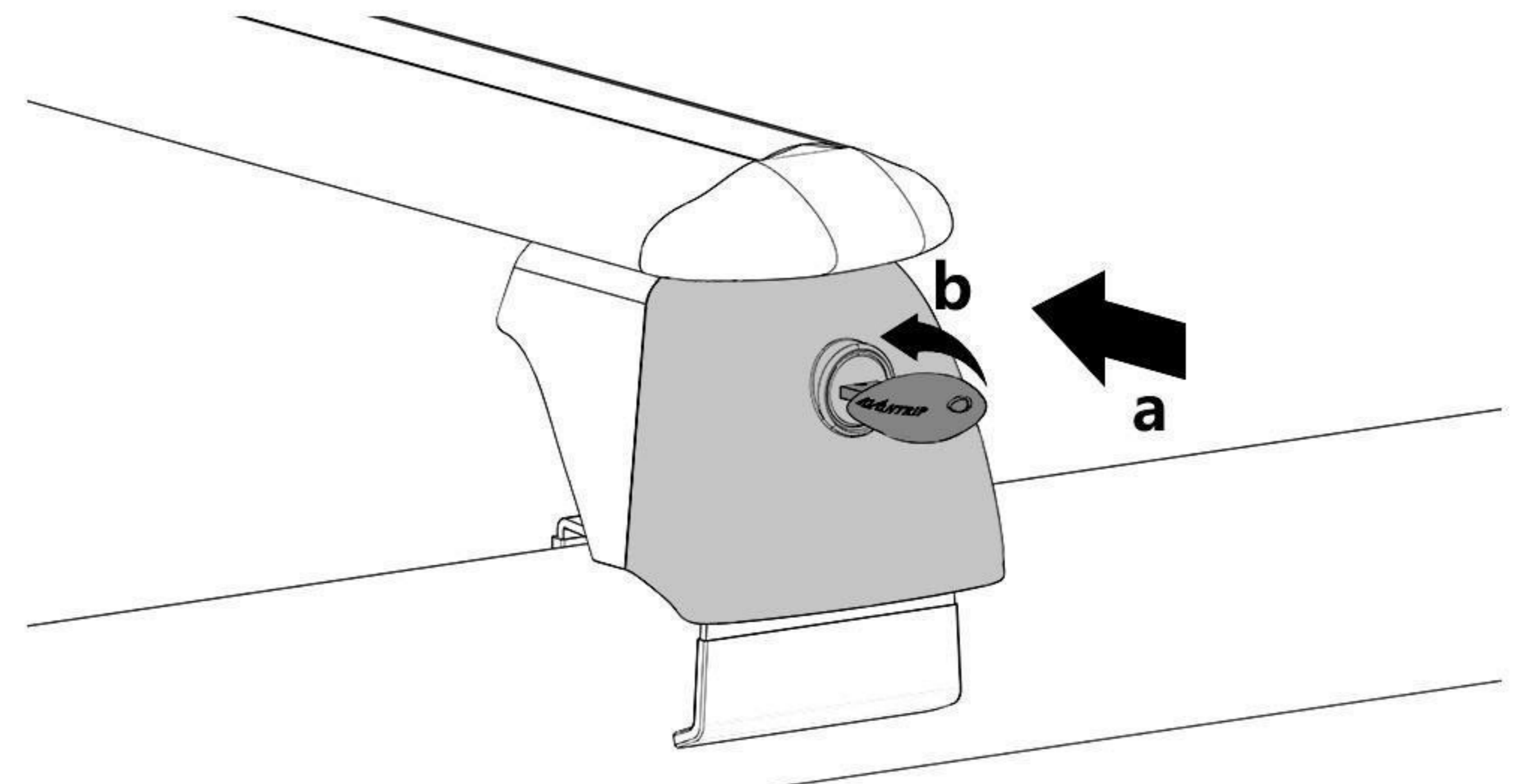
a: Unscrew the screws. b: Remove the clip.



a: Loosen the screws (not necessary to remove) until the base can be moved.
b: Adjust the base to fit the distance between the roof side rails.



a: Place the cross bar on the side rail.
b: Install the selected clip.
c: Tighten the screws to secure the clip.
d: Tighten the screw to secure the base.



a: Close the lock mask.
b: Pull out the key after turning the key to lock.

Plastic strips at both ends are used as a positioning aid to help position the roof cross bars.

