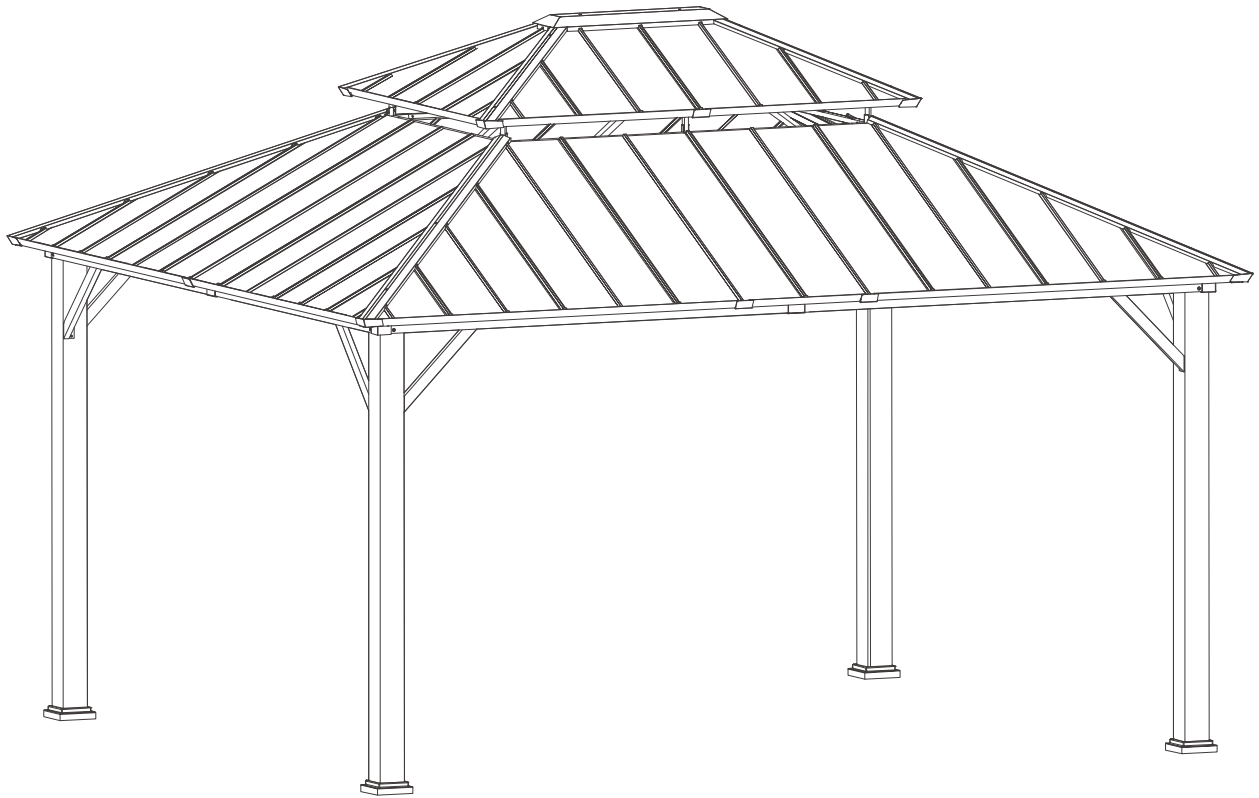




ITEM#
SGS-D00201-5

12'×14'

Andes Hardtop Gazebo with Double Roof



Assembly Manual



Thank you

Thank you for your purchase of Olilawn Gazebo and follow this assembly and operation guide.

To reduce personal injury and damage to your gazebo, please attach your gazebo curtain to the post when it is incoming over **20 mph** wind.

We recommend a **five-person team** for assembly and disassembly.

If you like our products,
please follow more.



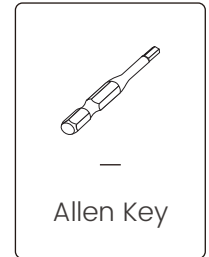
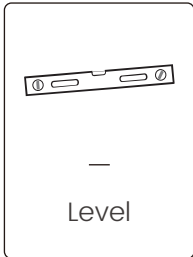
Warnings and Cautions

- Please retain this instruction for future usage and read carefully before assembly.
- Make sure you have all the parts & hardware as the item list shows.
- 5 adults or more are recommended to install your gazebo.
- Do not discard any of the packaging until you have checked that you have all the parts and pack of fittings.
- Check all bolts for tightness before use, and periodically check and tighten bolts to ensure your gazebo works properly.
- Some parts might have sharp edges/corners. Please follow basic safety precautions to reduce the risk of hurt.
- It is essential to place the gazebo on level ground and not less than 6 feet from any obstruction such as fences, garages, the house, overhanging branches, laundry lines, or electrical wires.
- Lastly, be careful the parts are not swallowed by pets and kids.

Pre-assembly

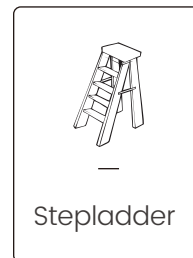
TOOLS THAT MAY BE REQUIRED (NOT included in the boxes)

*NOTE: Tools / equipment are not shown to actual size and scale



EQUIPMENT REQUIRED (NOT included in the boxes)

*NOTE: Equipment are not shown to actual size and scale



Matters needing attention

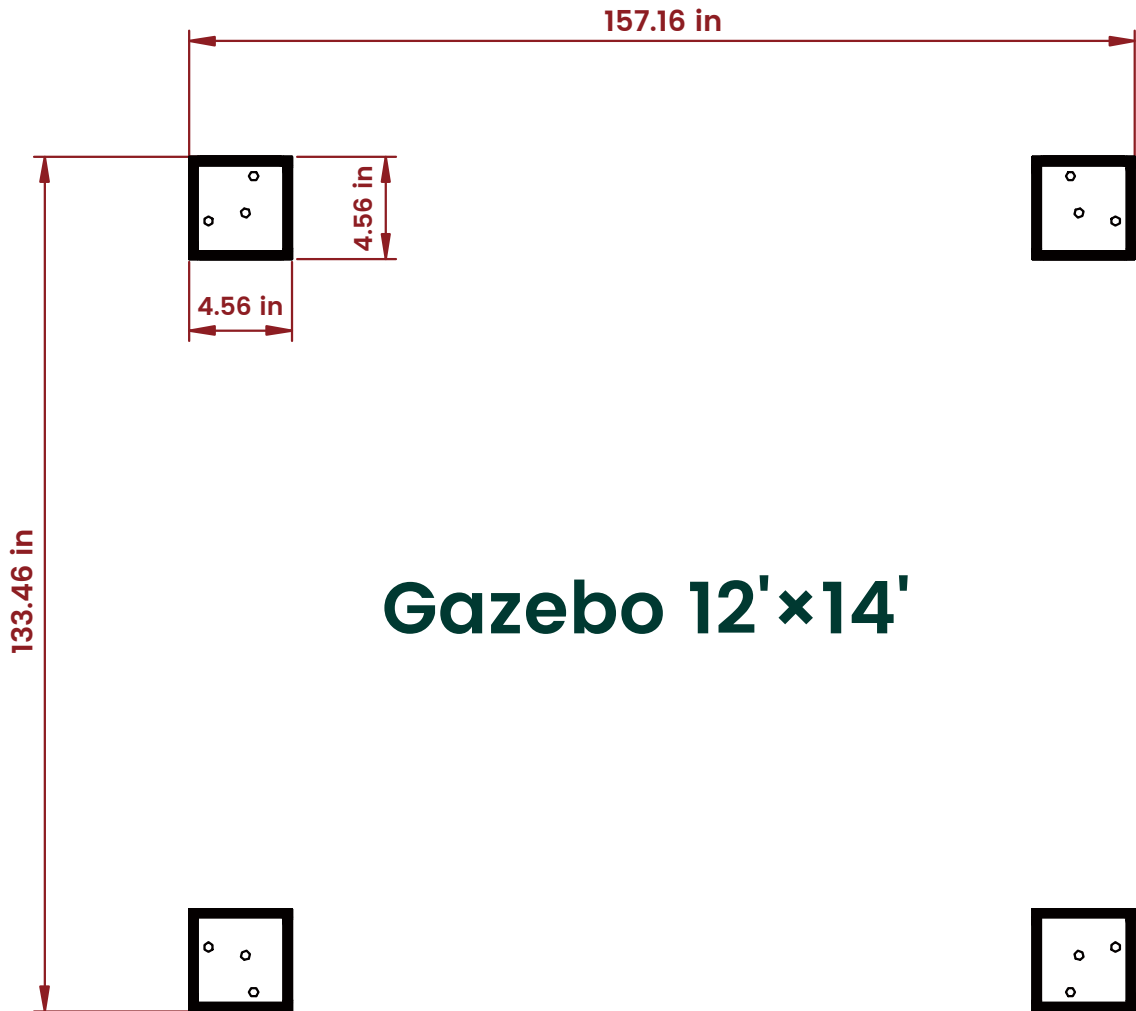


Five or more people are required for assembly.

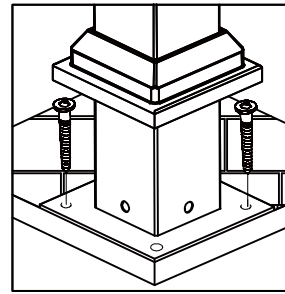
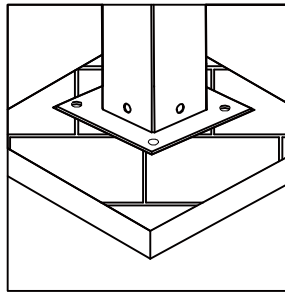


Do not fully tighten screws prior to complete assembly.

Mounting Blueprint

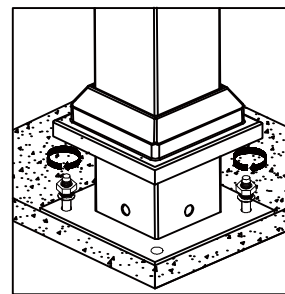
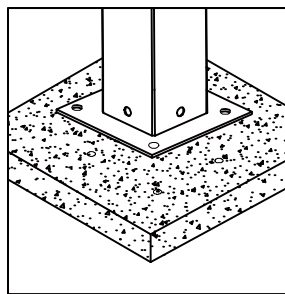


1



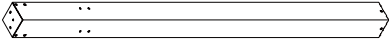

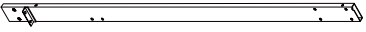

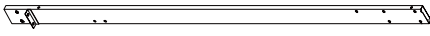
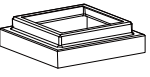
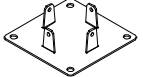
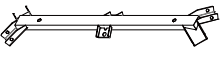
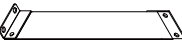
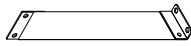



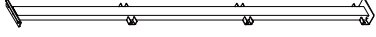







If the deck is hard wood, you can use M6×80 expansion bolts to mount the gazebo.
(Not included in the parts)





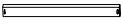






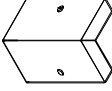


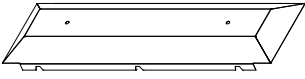
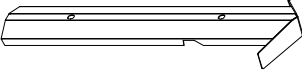
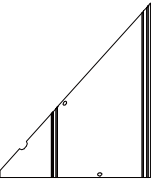
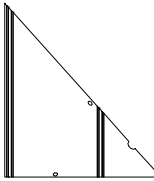
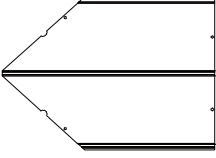
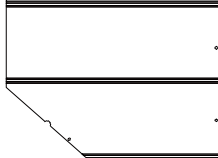
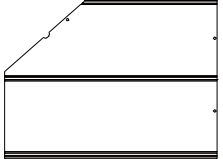
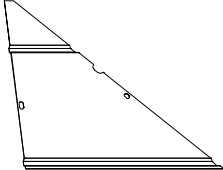
2

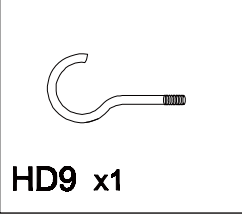
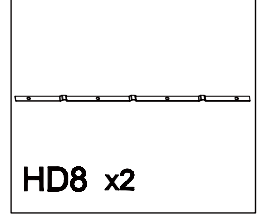
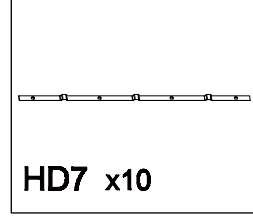
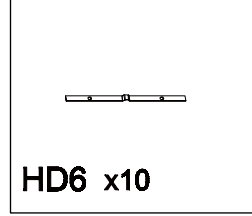
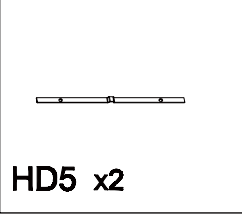
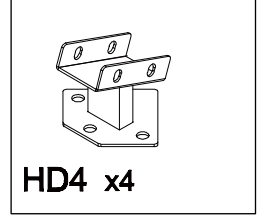
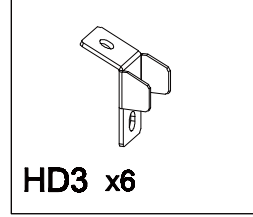
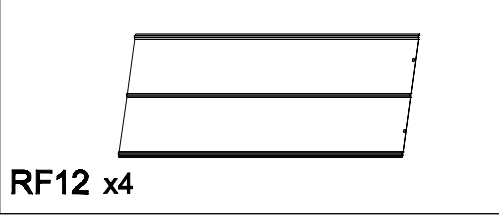
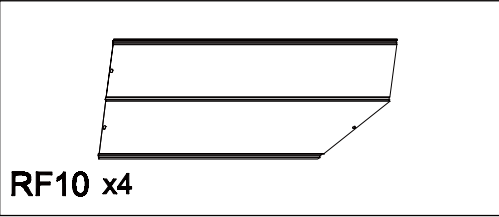
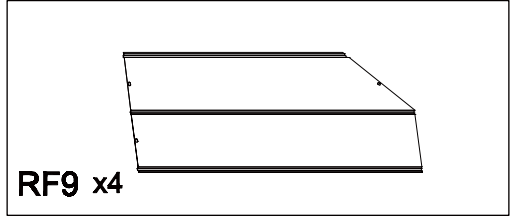
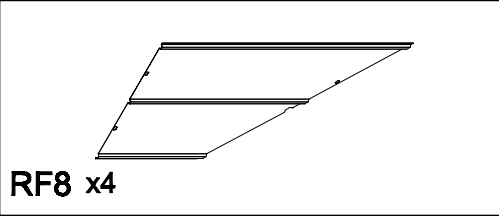
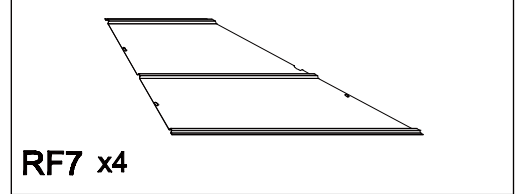
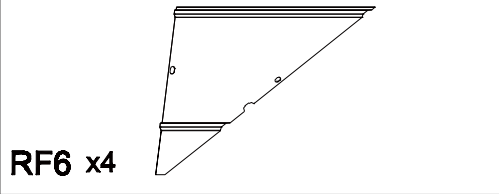






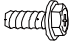
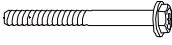
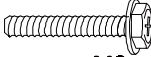

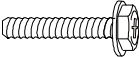


If the ground is concreted, you can use M6×80 hexagon bolt to mount the gazebo.

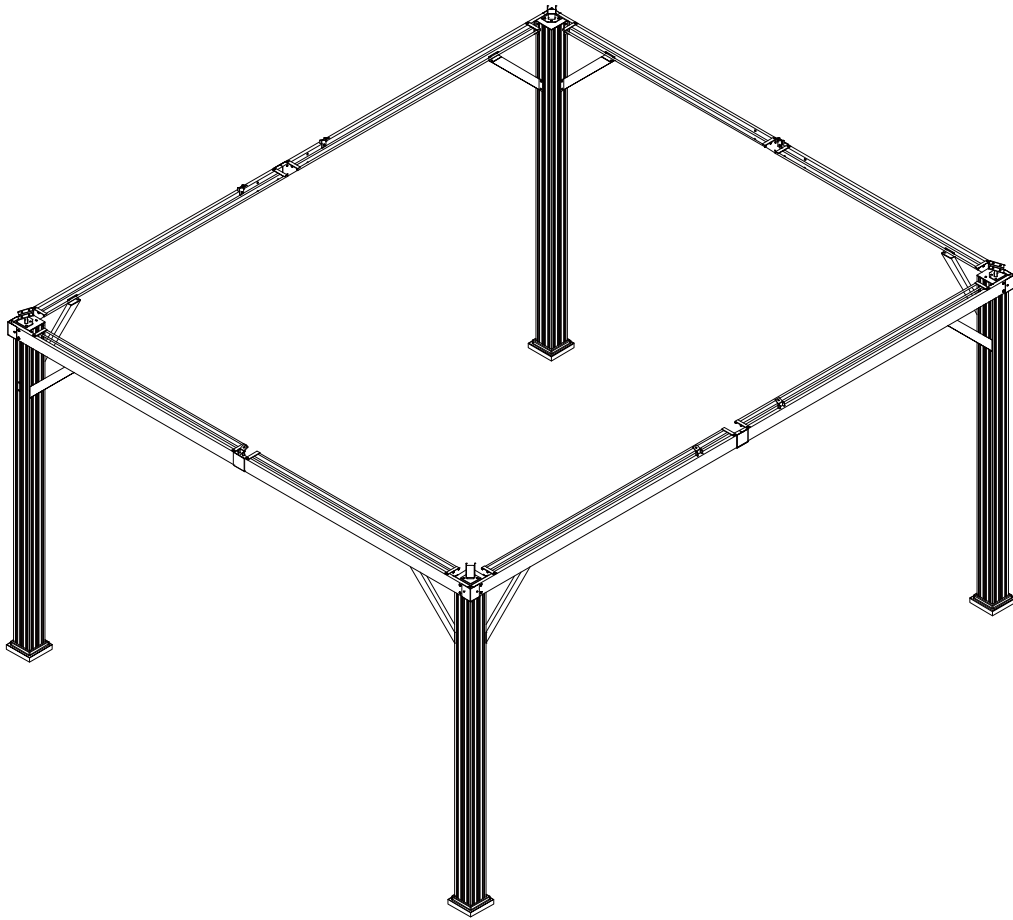
Checklist

	 A x4		 B x2	
	 C x2		 D1 x2	
	 E1 x2		 B2 x4	 C2 x4
	 D x1		 F1 x4	 F2 x4
	 G x4		 H1 x2	
	 H2 x2		 J x6	
	 K1 x4		 K2 x2	
	 LA x4		 LB x2	
	 M1 x2		 M2 x2	
				

	 M3 x2	 H3 x4	 R x8	 S x8
	 U1 x4	 W1 x4	 W2 x4	 W3 x2
	 X x4		 Y1 x4	 Y2 x4
	 Y3 x4	 Z1 x4	 Z2 x4	
	 RA x1		 RB x4	
	 Q1 x4	 Q2 x4		
	 Q3 x2	 Q4 x2		
	 Q5 x2	 RF5 x4		
2				



 <p>ST5 * 15 AA x16</p>	 <p>M6 BB x12</p>	 <p>M6 DD x12</p>	 <p>M6 x 20 FF x322</p>
 <p>M6 x 15 GG x54</p>	 <p>M6 x 55 JJ x12</p>	 <p>M6 x 45 KK x2</p>	 <p>D8 * 180 PP x8</p>
 <p>M6 x 40 QQ x32</p>	 <p>M6 x 80 UU x8</p>	 <p>M6 Z1 x2</p>	



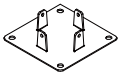
STEP 1



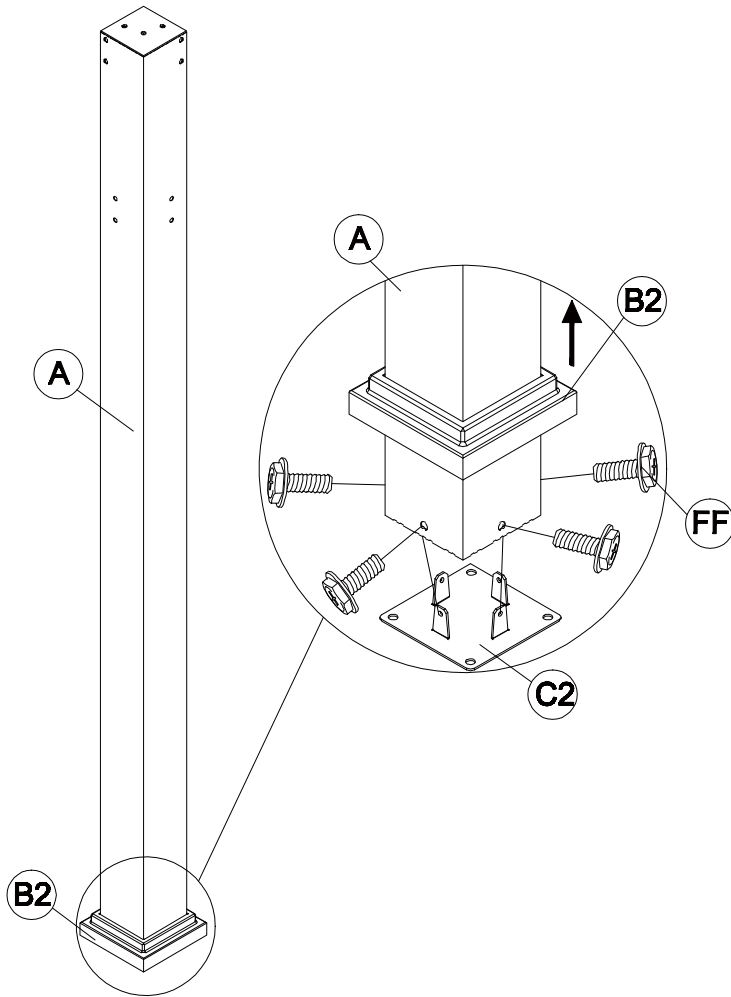
A x4



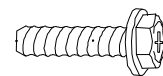
B2 x4



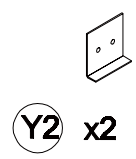
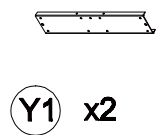
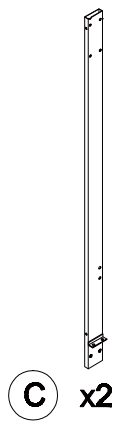
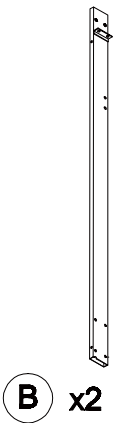
C2 x4



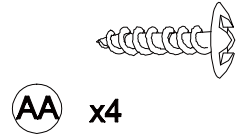
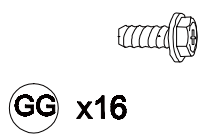
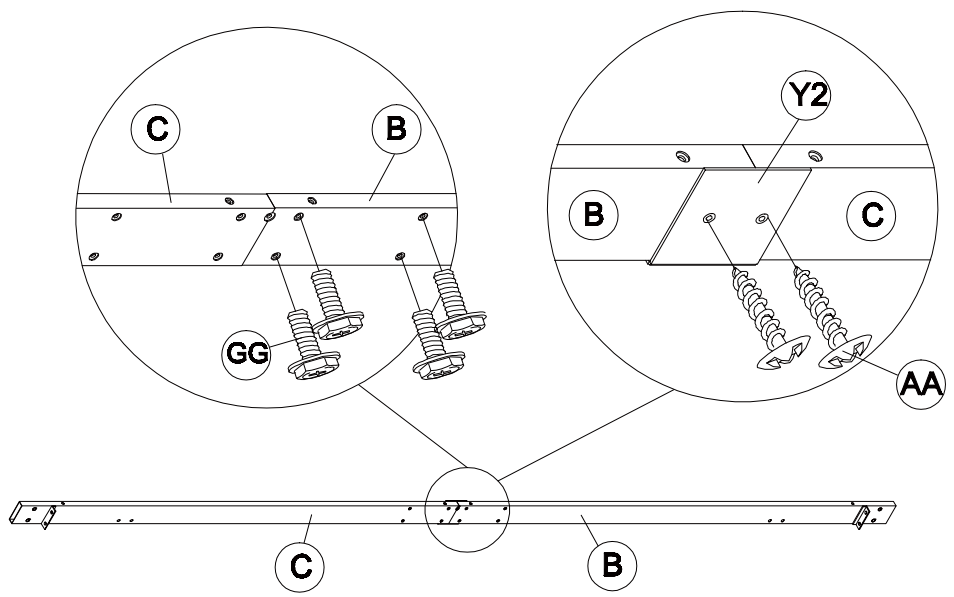
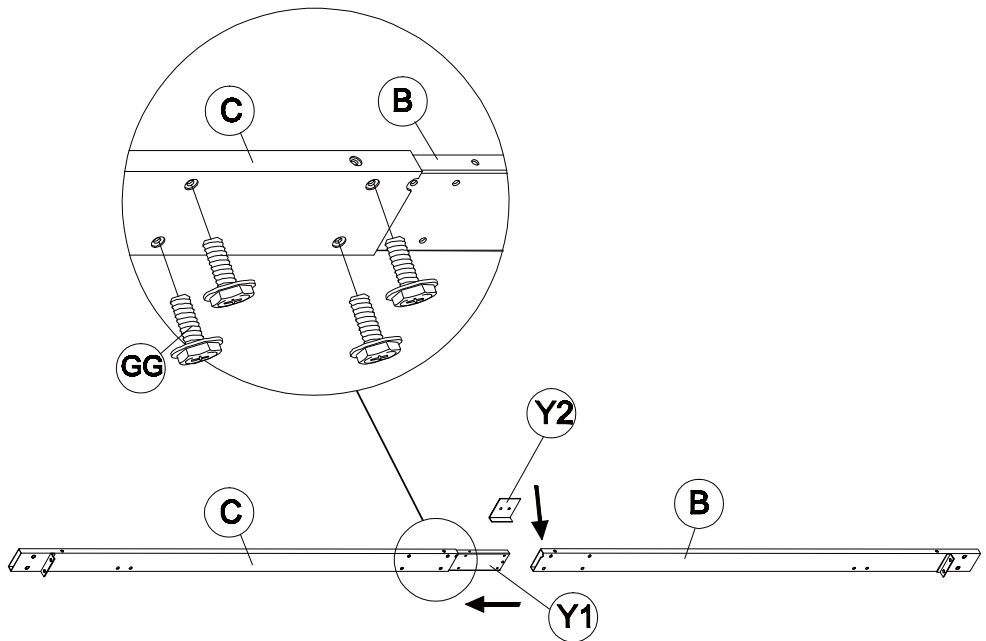
STEP1-1

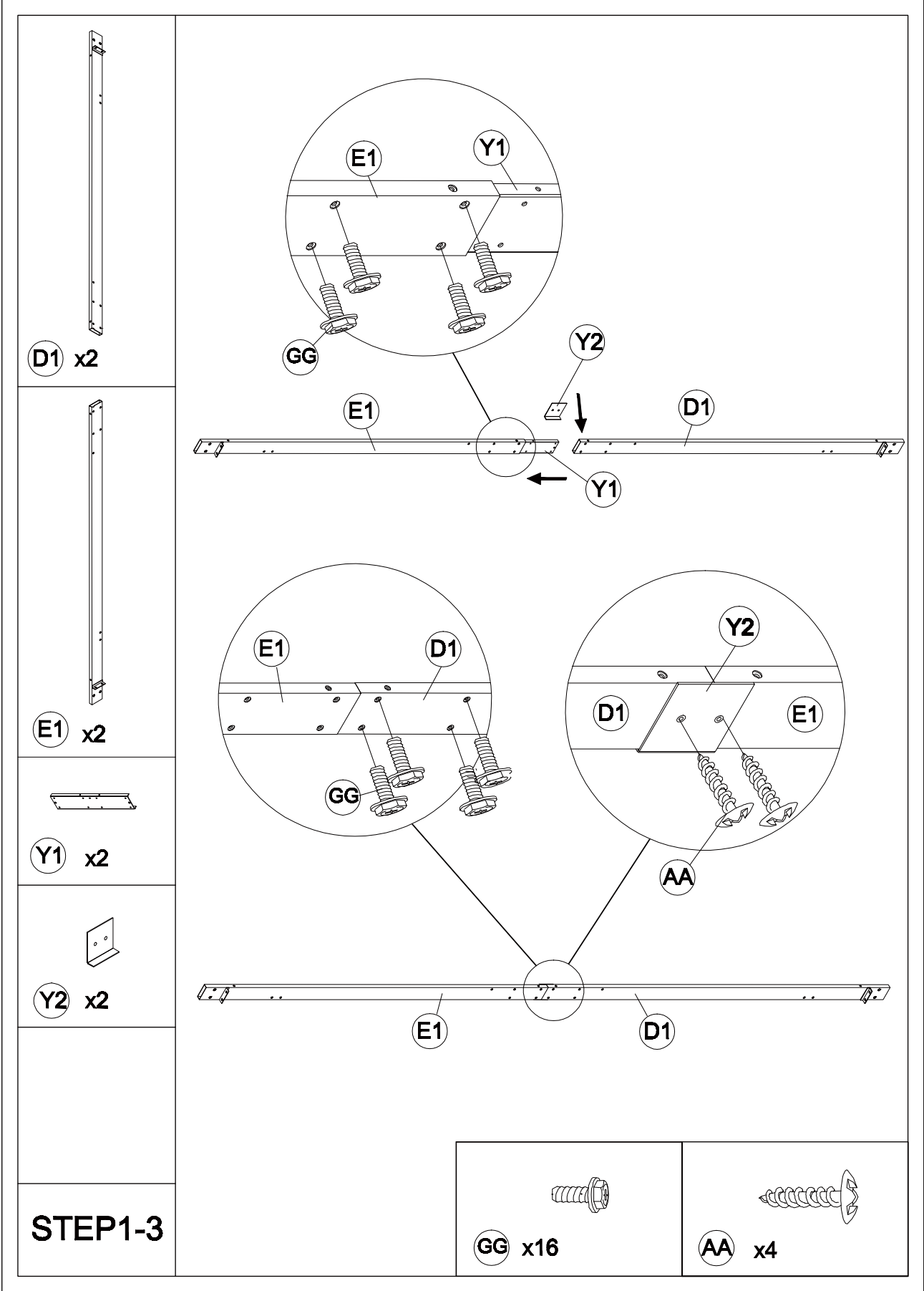


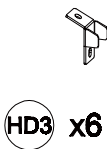
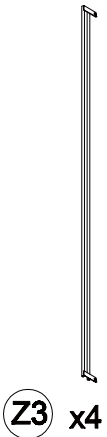
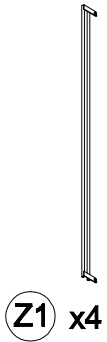
FF x16



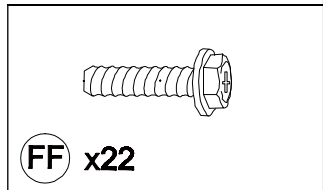
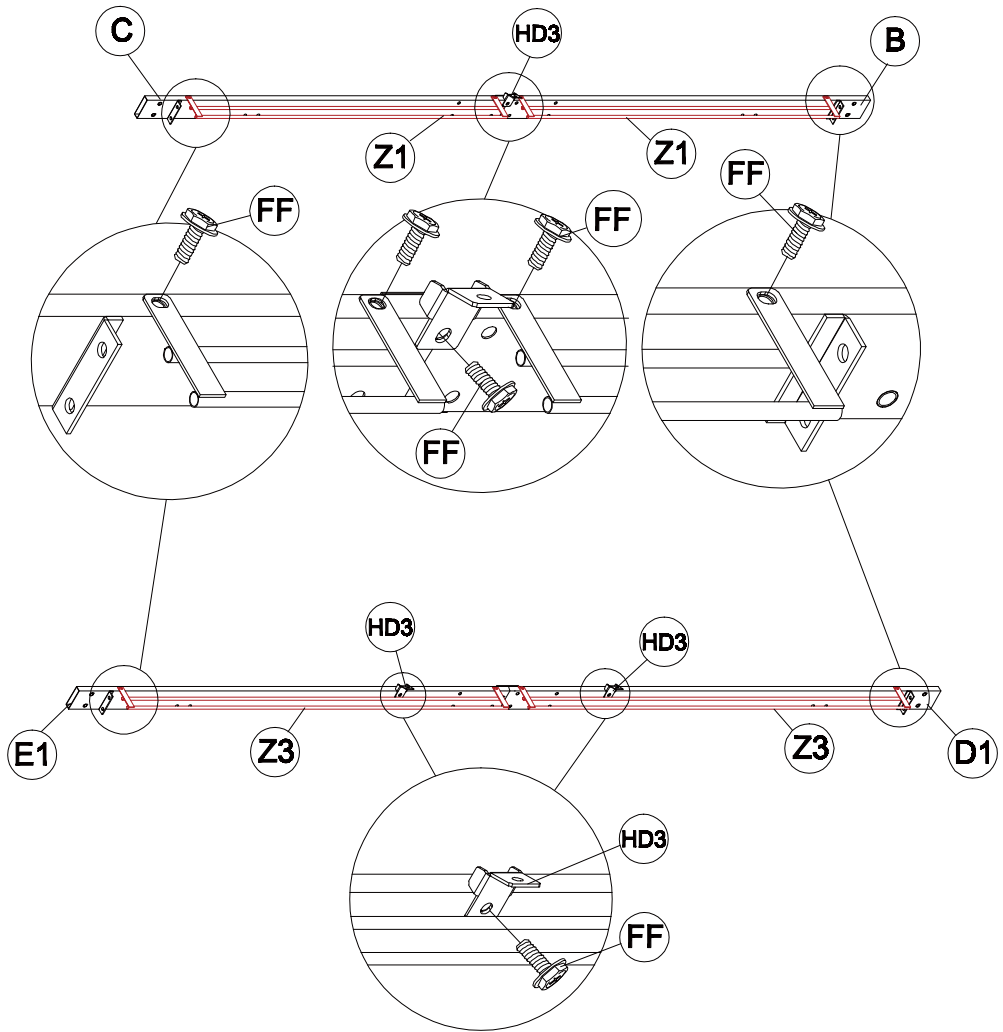
STEP1-2







STEP1-4

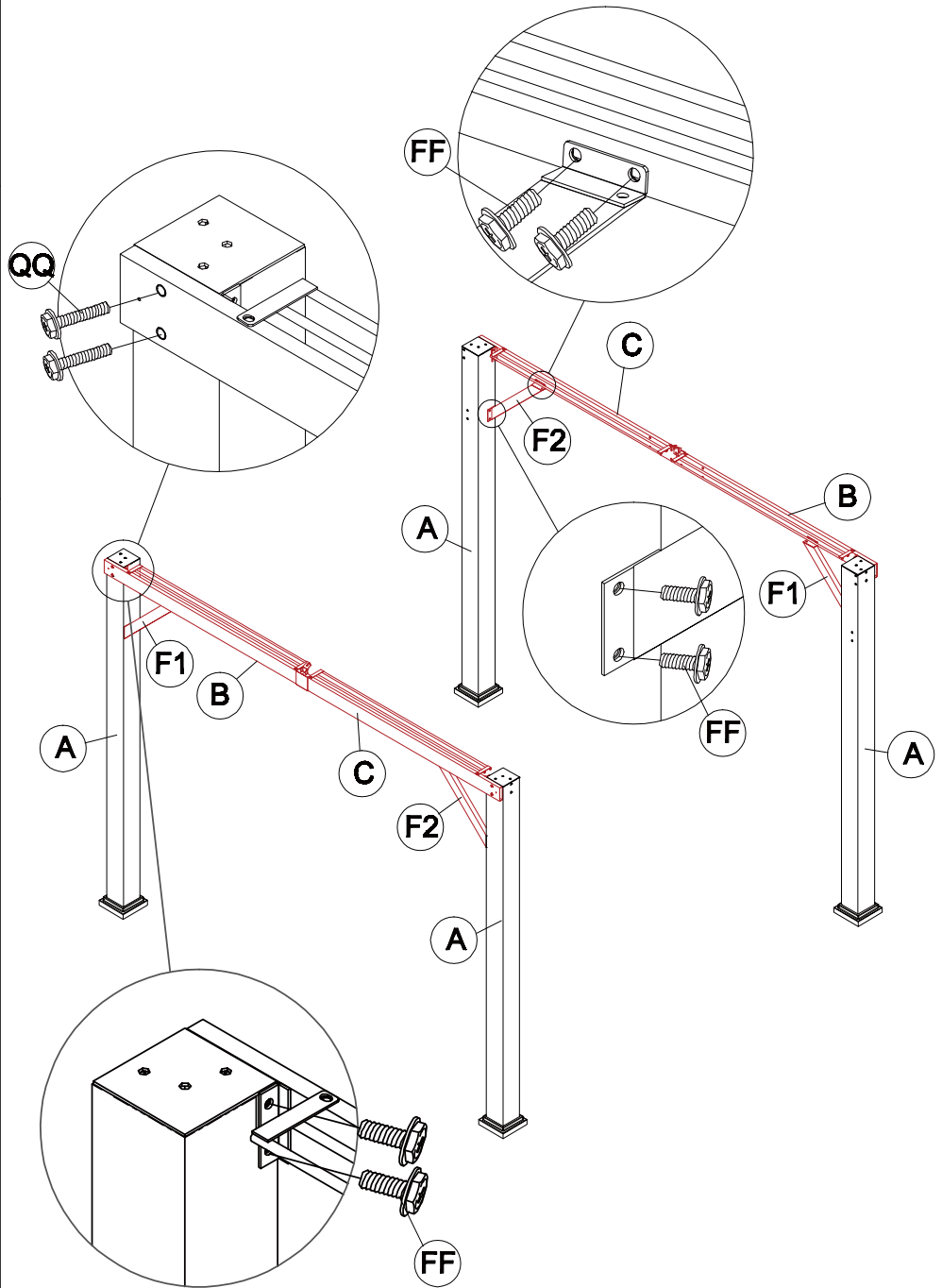




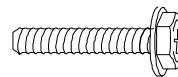
F1 x2



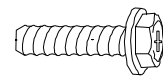
F2 x2



STEP1-5



QQ x8



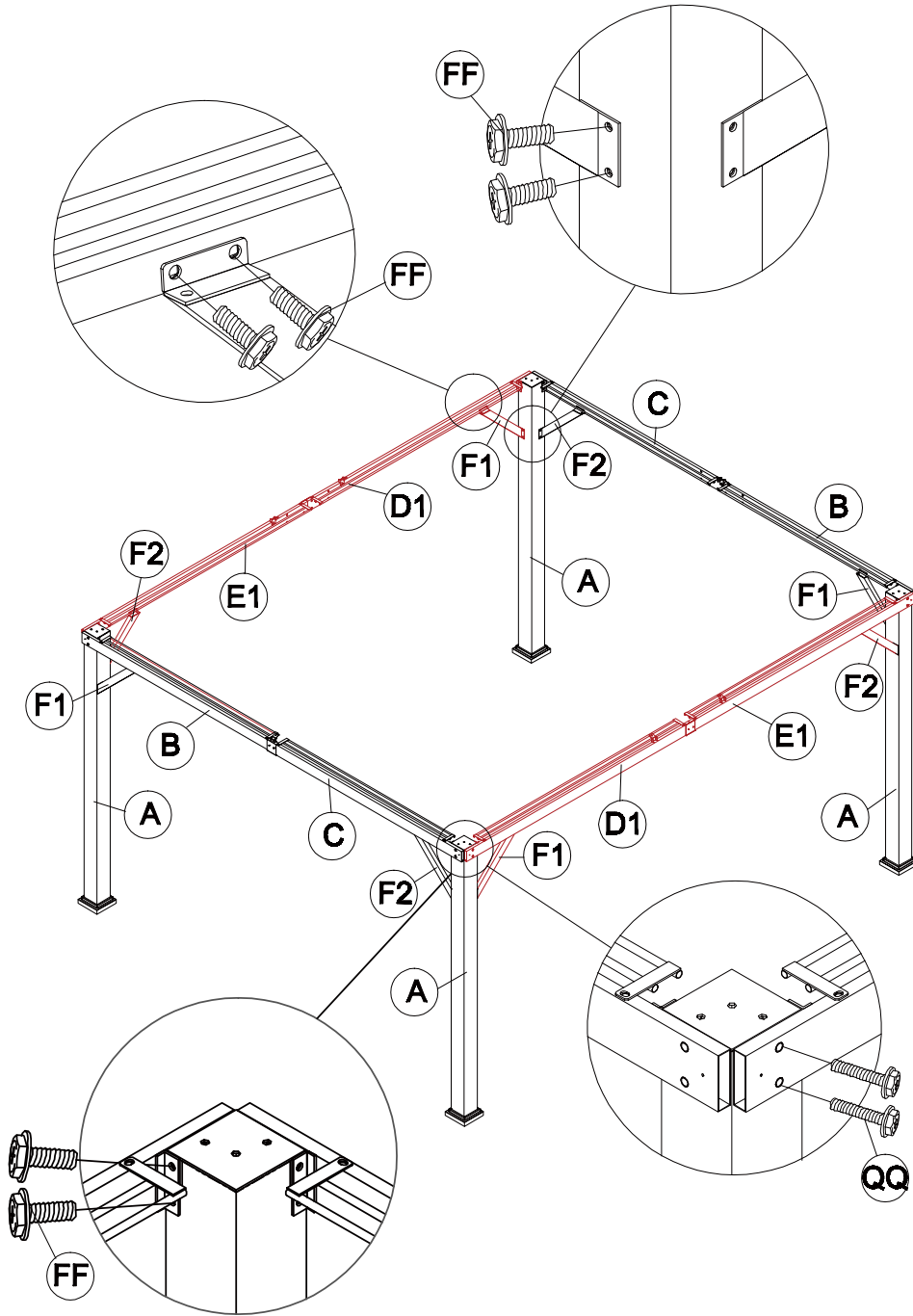
FF x24



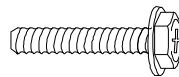
F1 x2



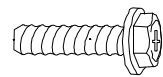
F2 x2



STEP1-6



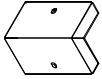
QQ x8



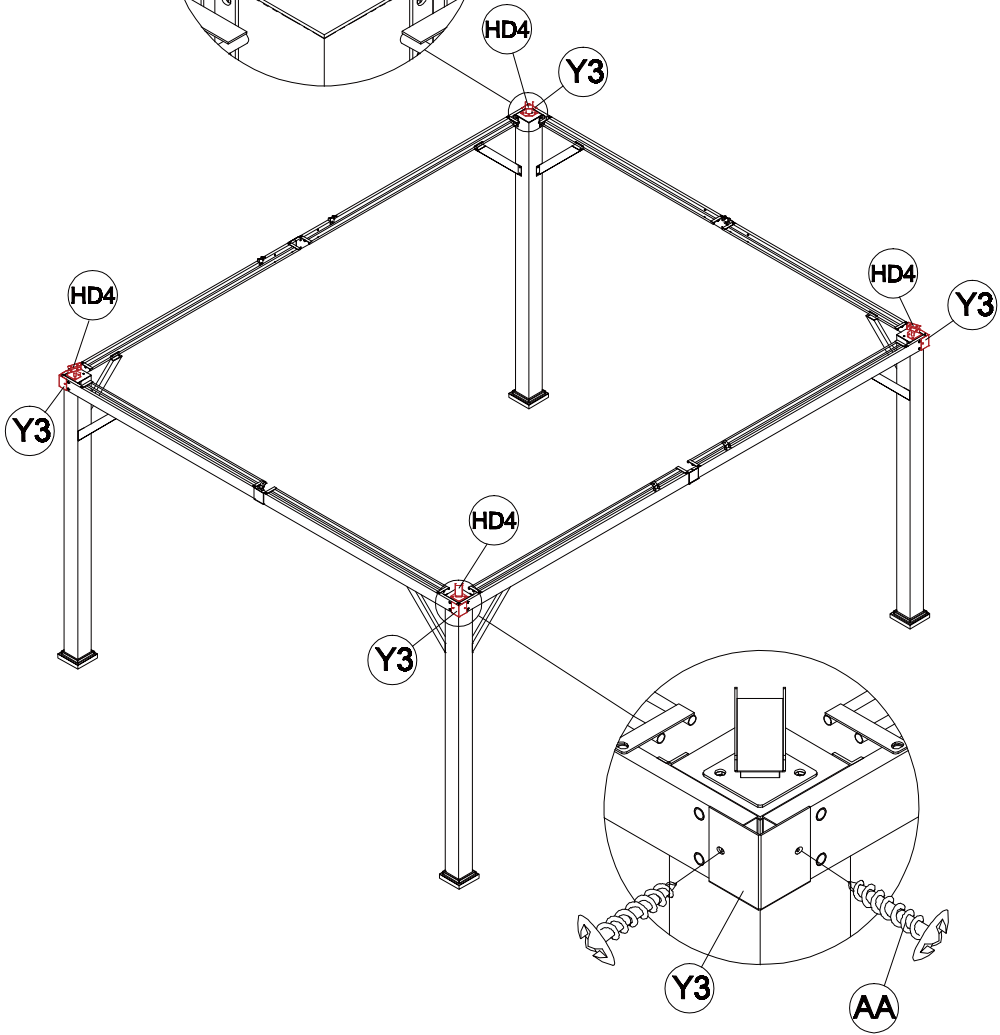
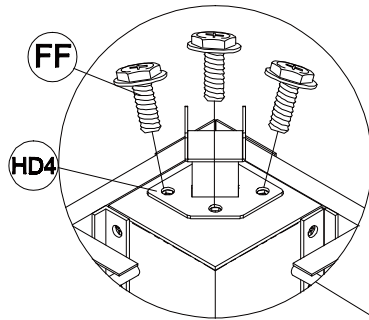
FF x24



HD4 x4



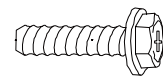
Y3 x4



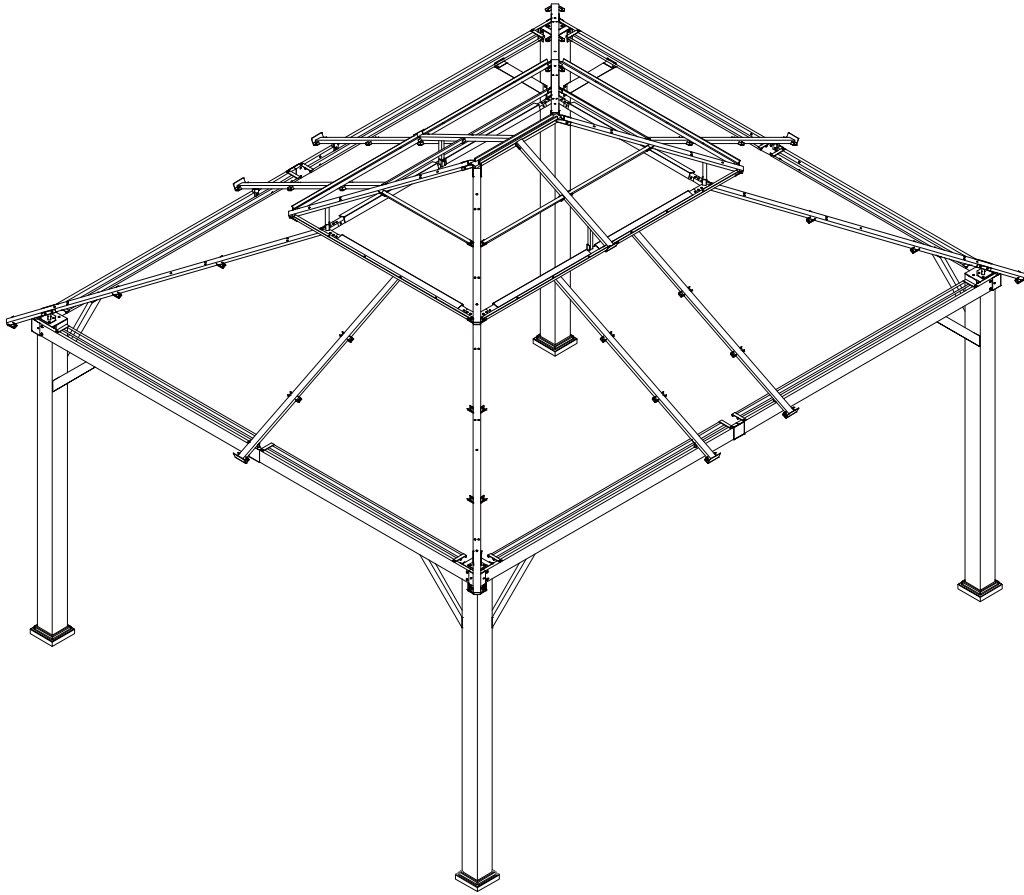
STEP1-7



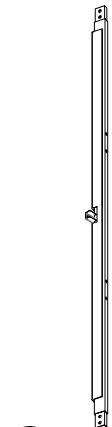
AA x8



FF x12



STEP 2



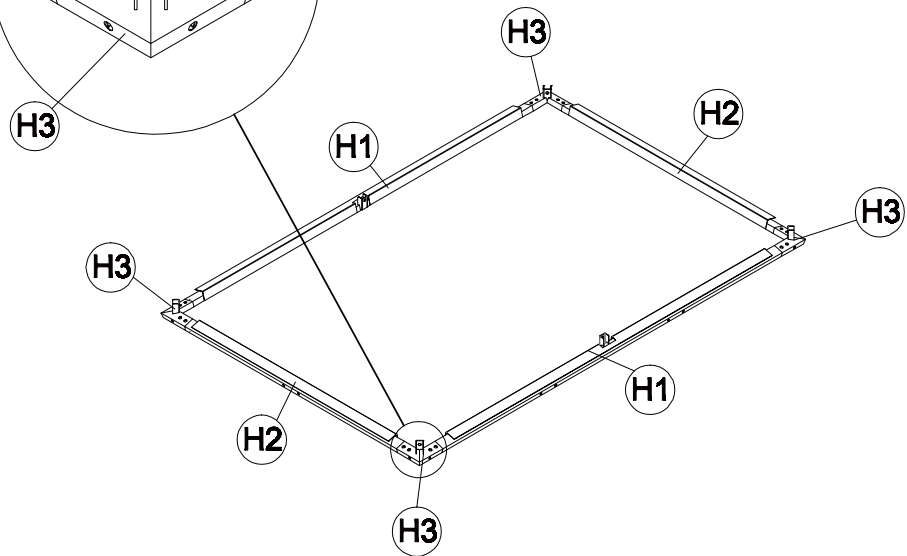
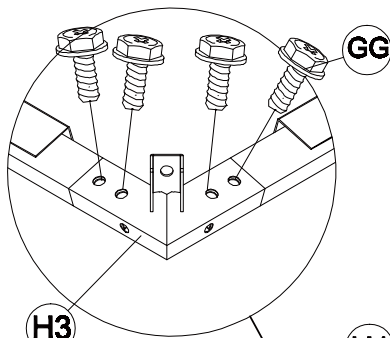
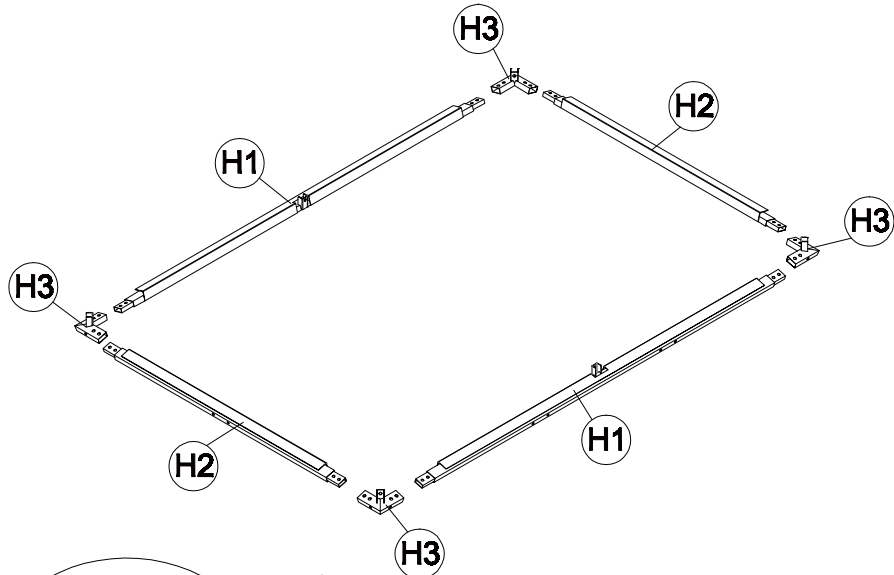
H1 x2



H2 x2



H3 x4



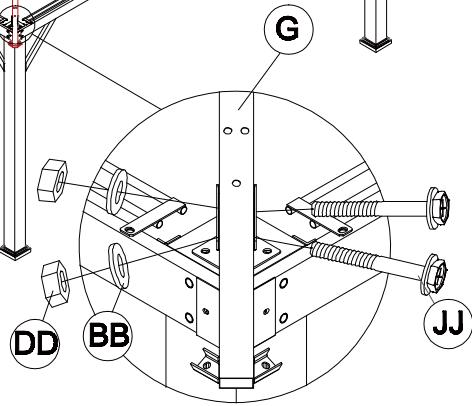
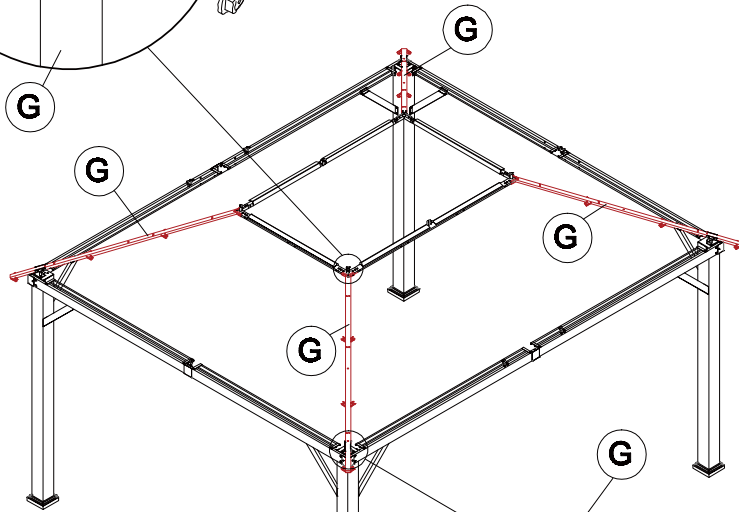
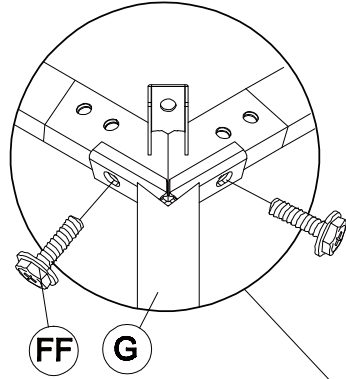
STEP2-1



GG x16



G x4



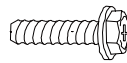
STEP2-2



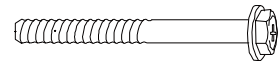
DD x8



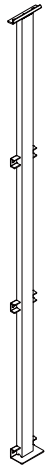
BB x8



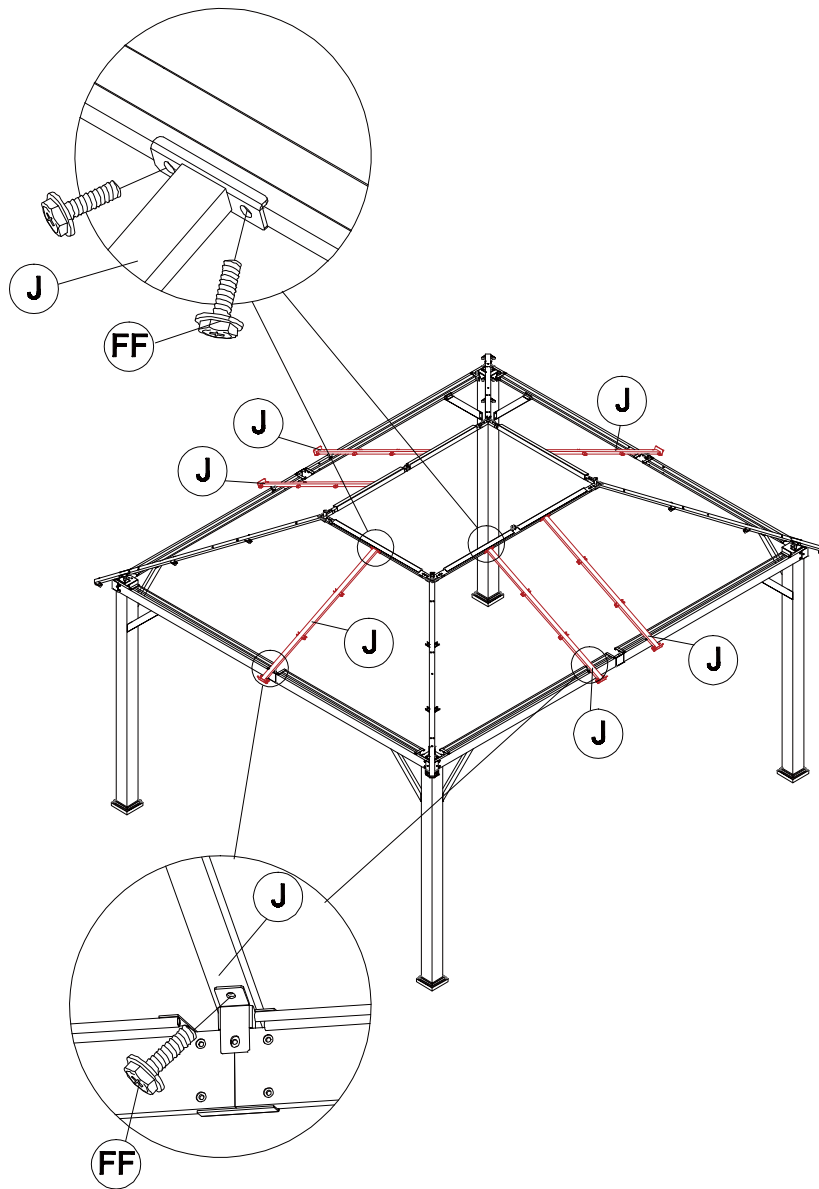
FF x8



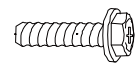
JJ x8



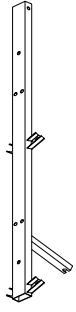
J x6



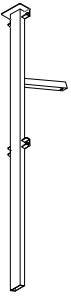
STEP2-3



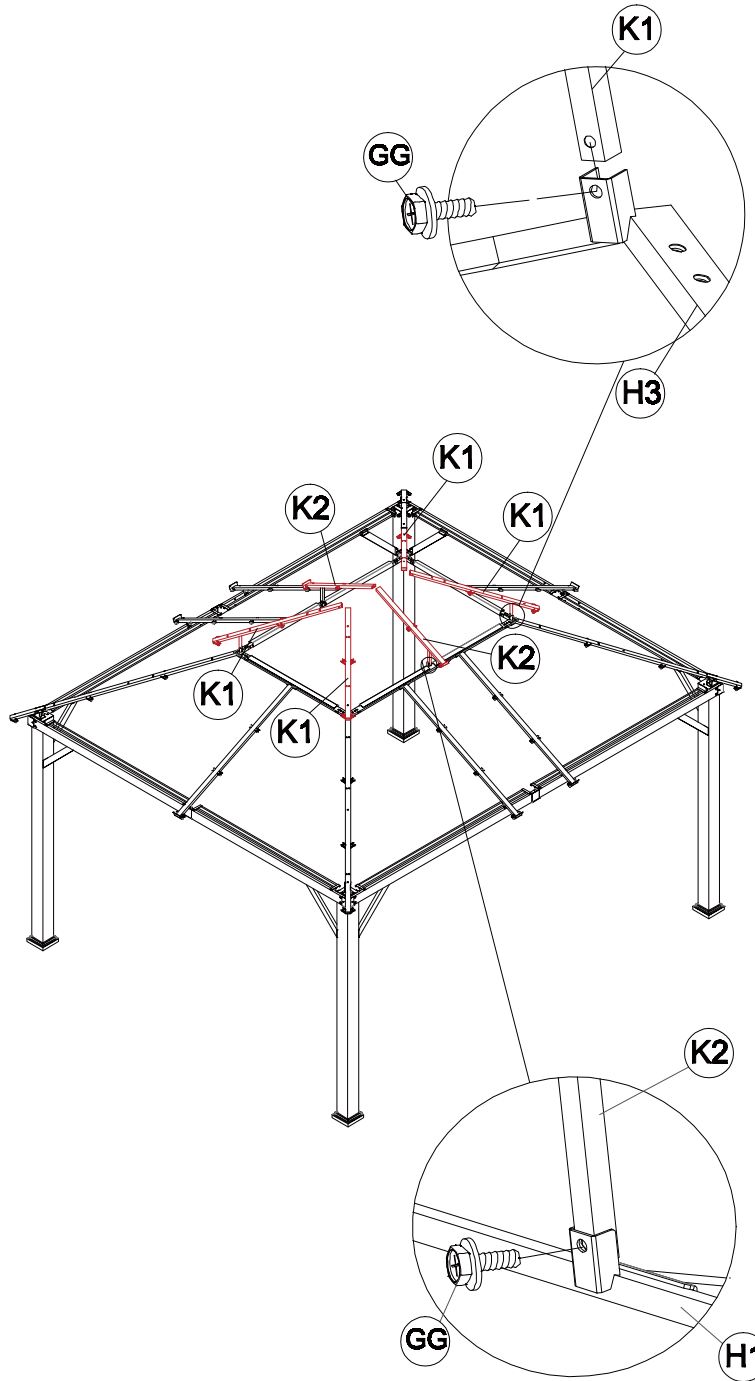
FF x18



K1 x4



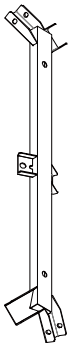
K2 x2



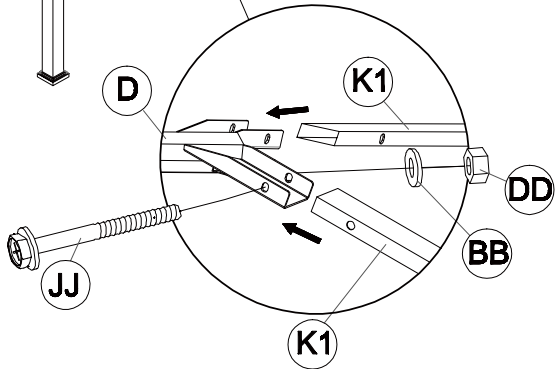
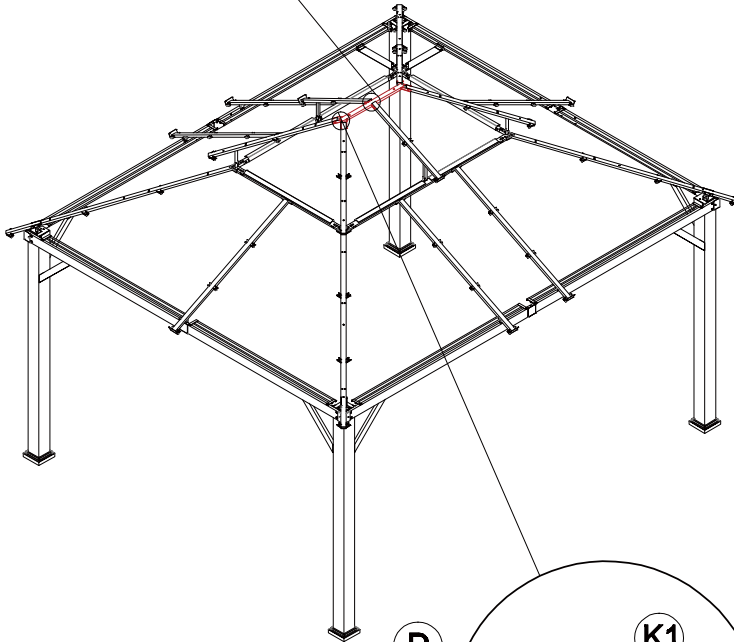
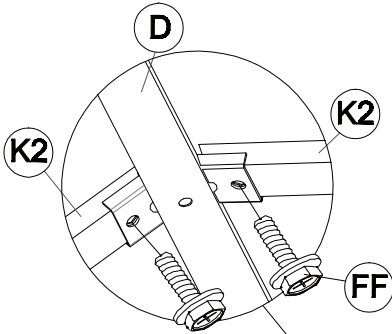
STEP2-4



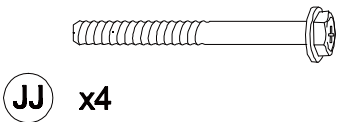
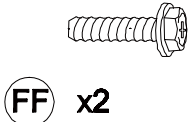
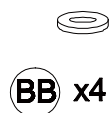
GG x6

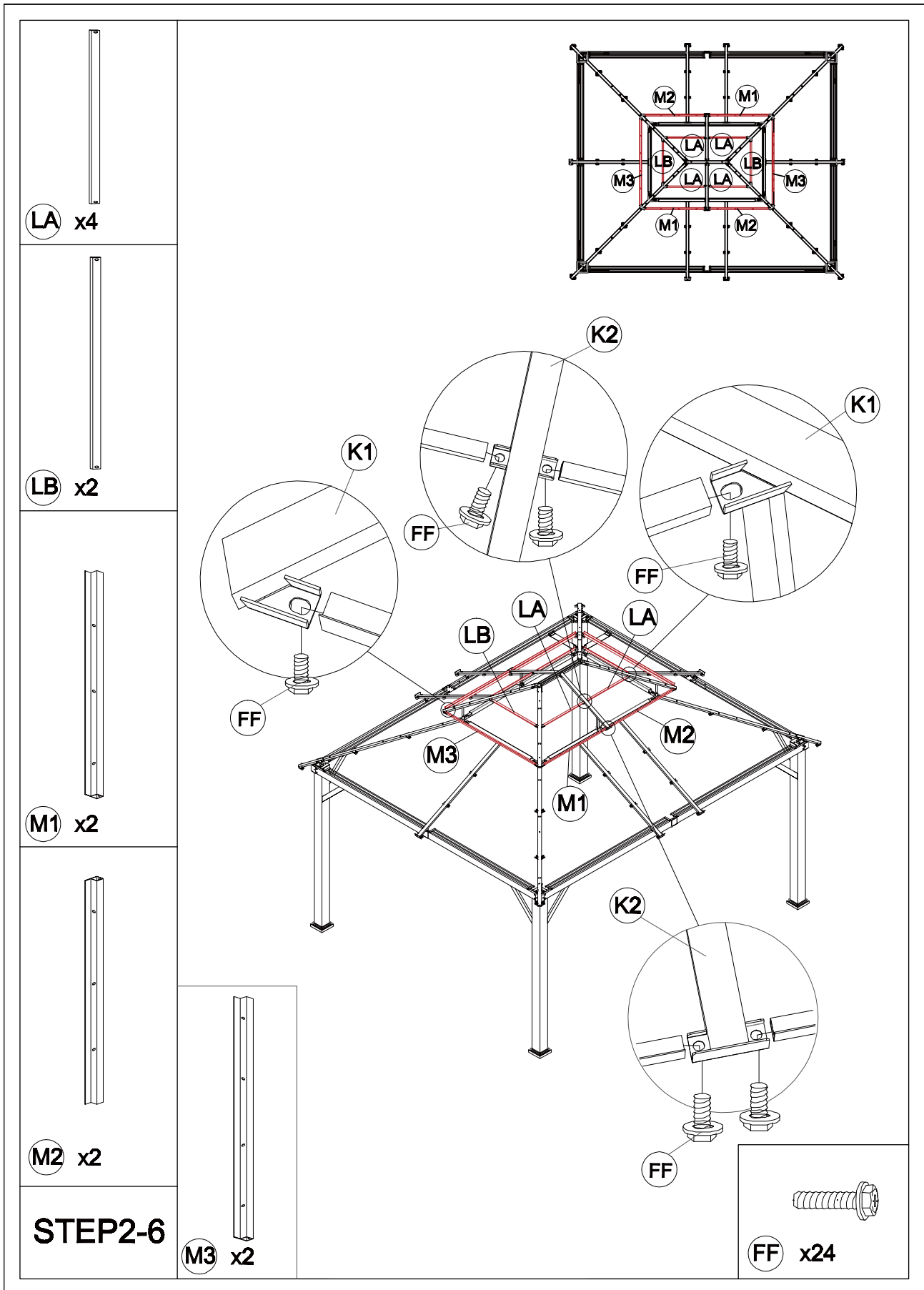


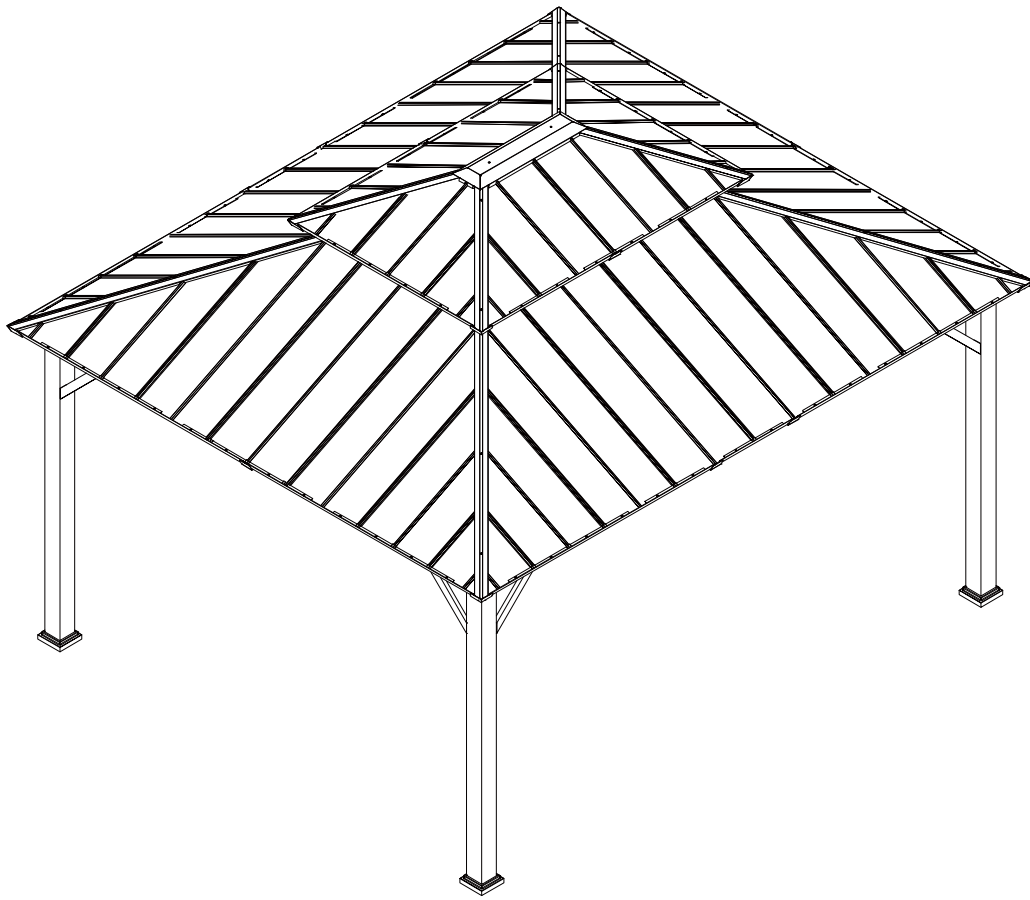
D x1



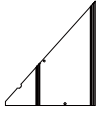
STEP2-5



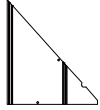




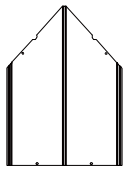
STEP 3



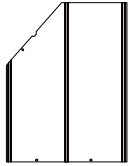
Q1 x4



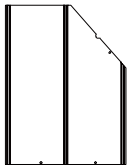
Q2 x4



Q3 x2

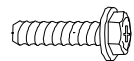
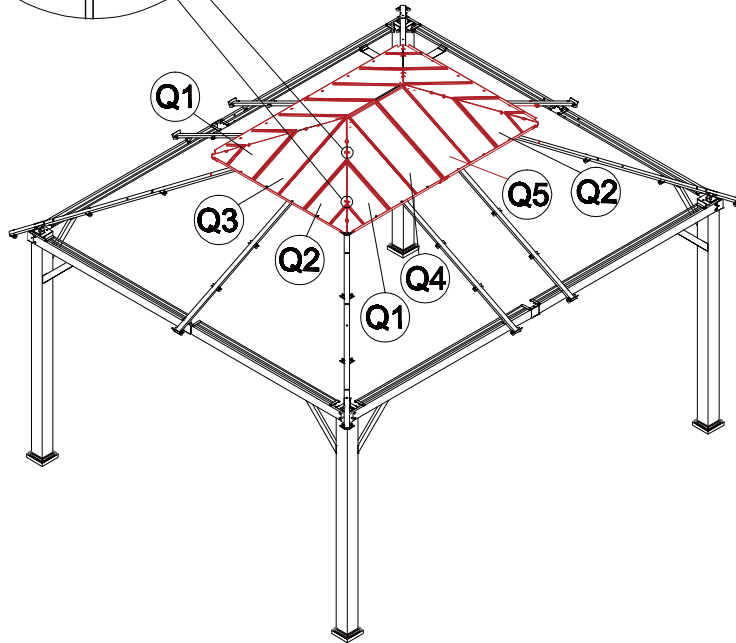
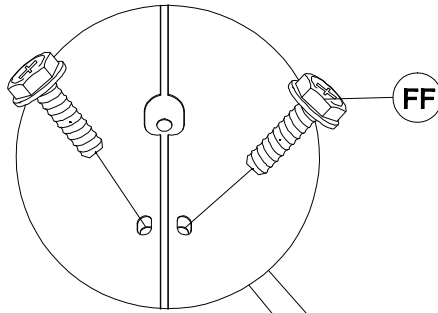
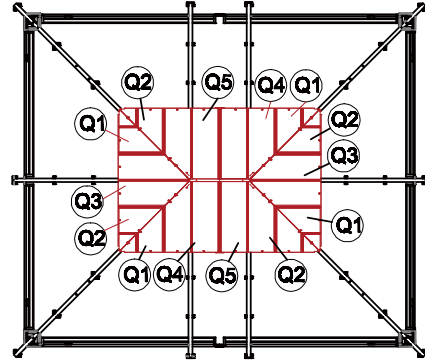


Q4 x2

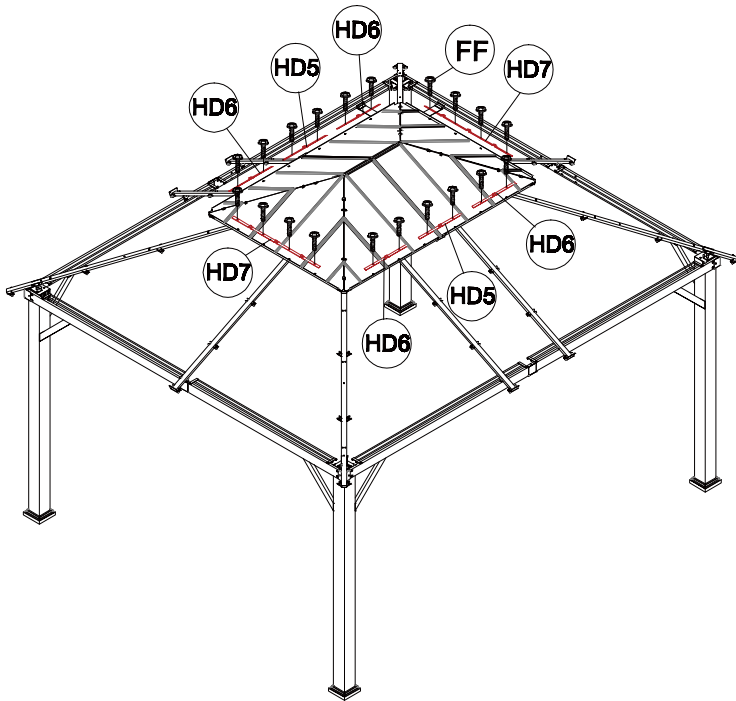
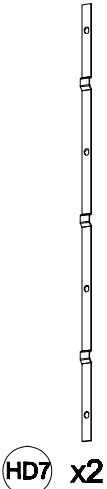
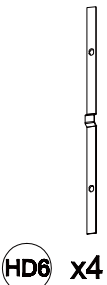
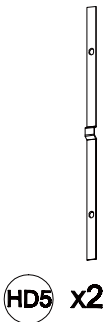


Q5 x2

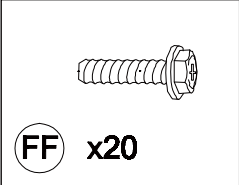
STEP3-1

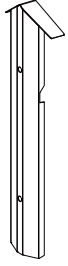


FF x16

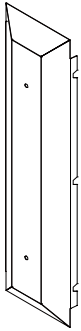


STEP3-2





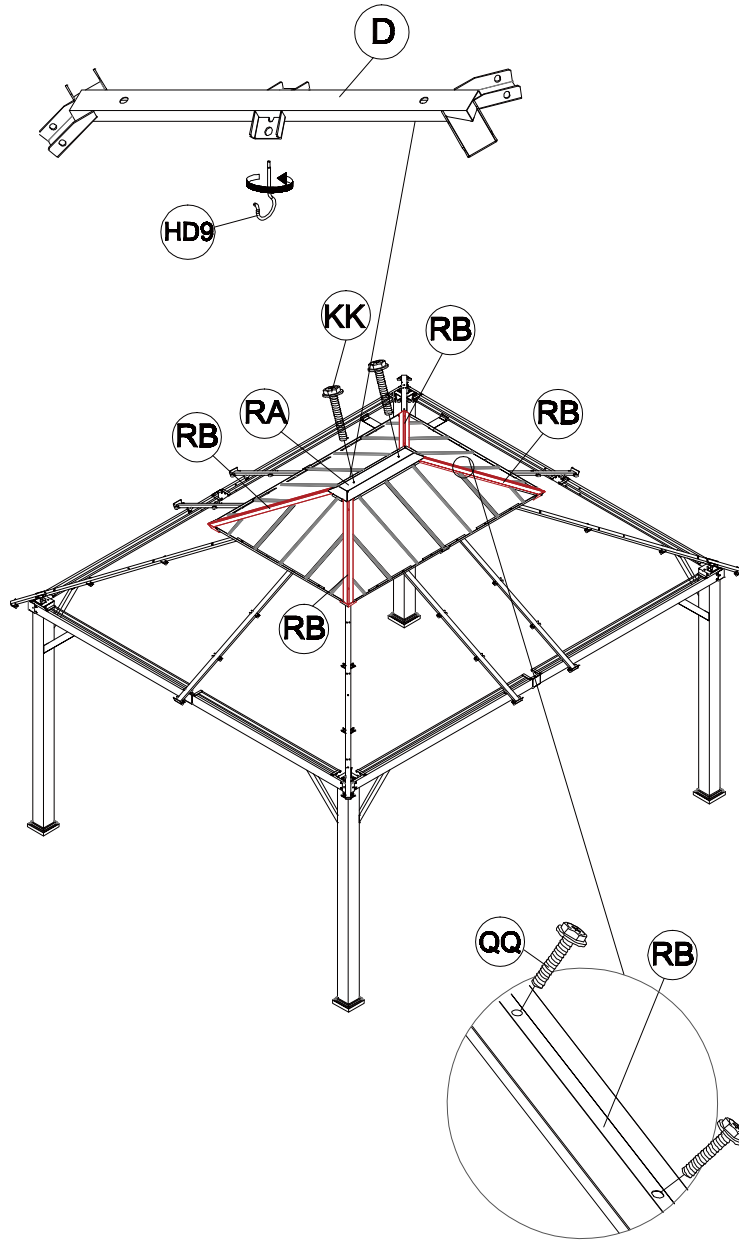
RB x4



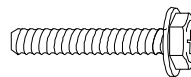
RA x1



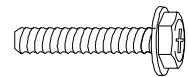
HD9 x1



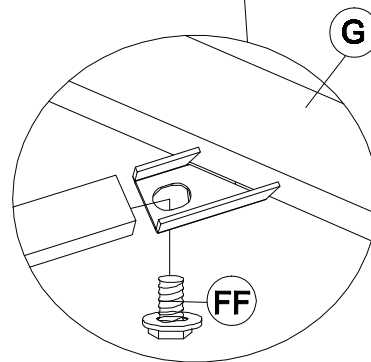
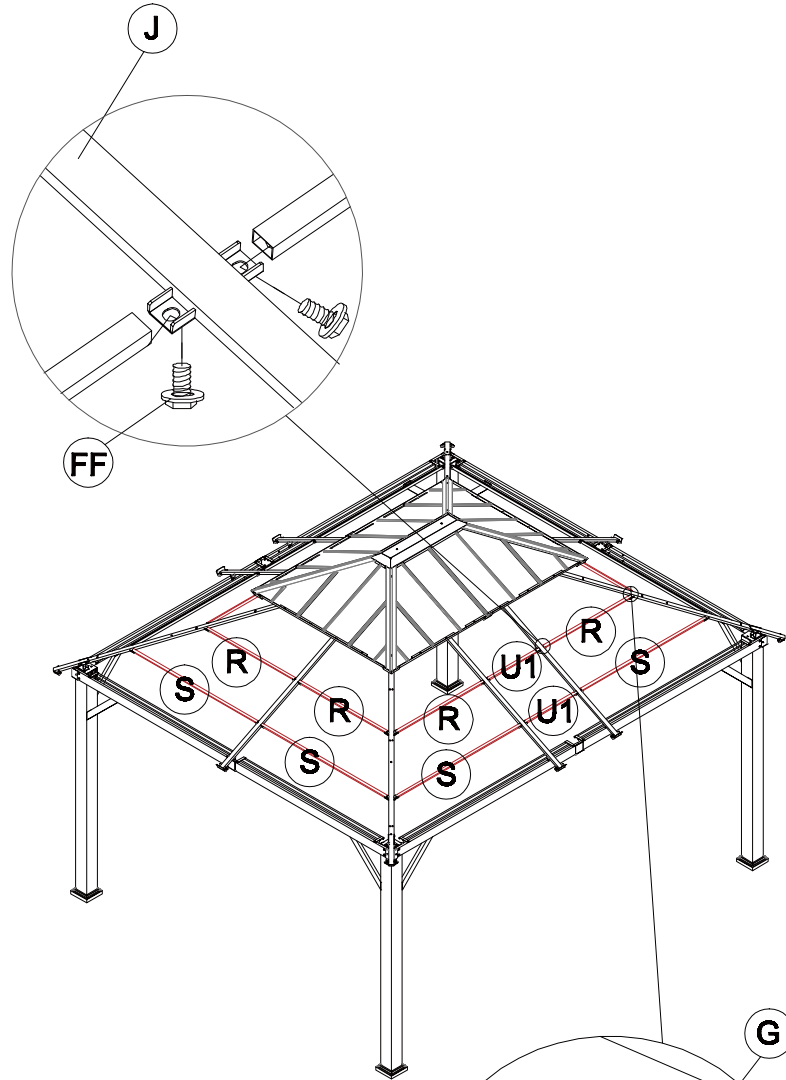
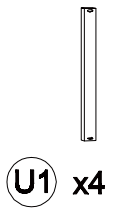
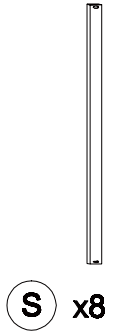
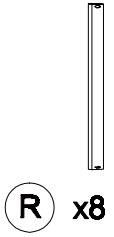
STEP3-3



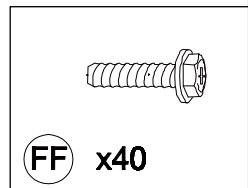
KK x2

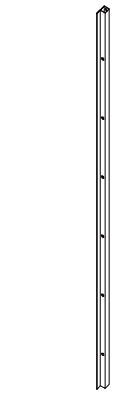


QQ x8

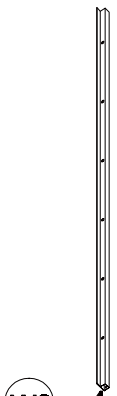


STEP3-4

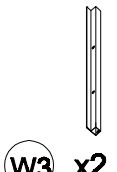




W1 x4

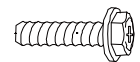
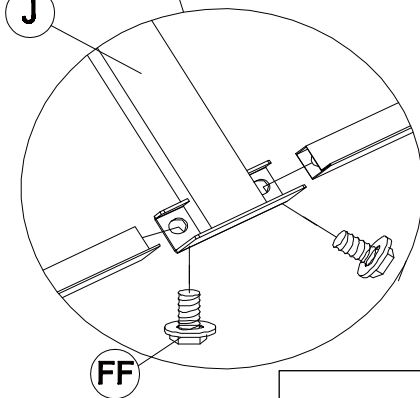
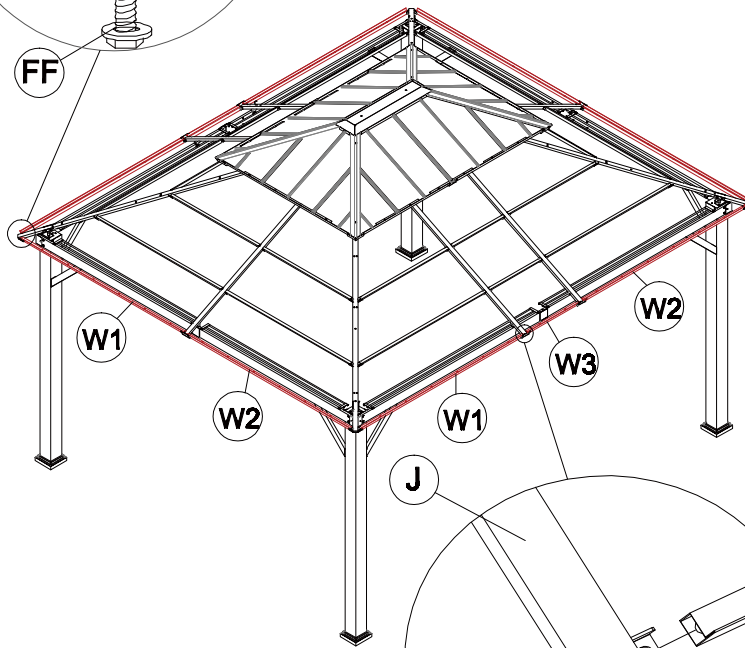
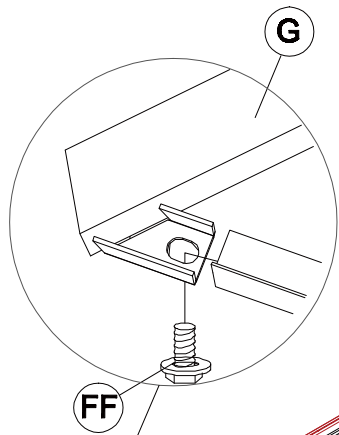
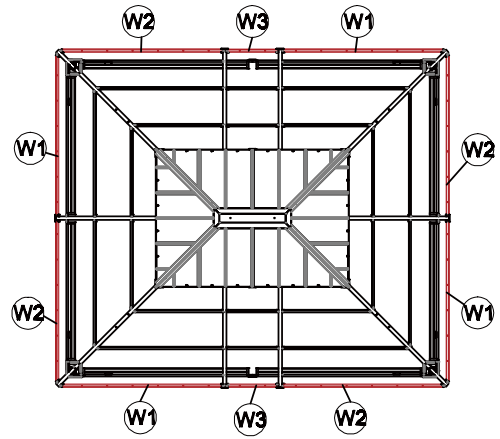


W2 x4

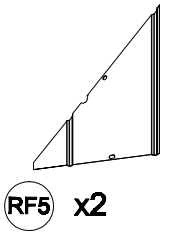


W3 x2

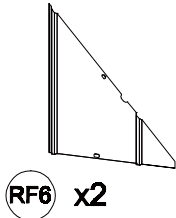
STEP3-5



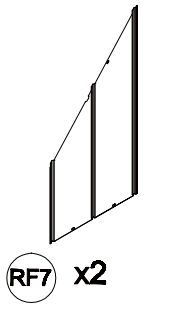
FF x20



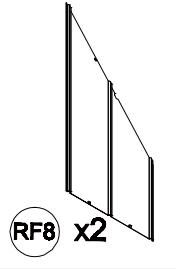
RF5 x2



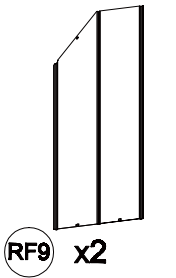
RF6 x2



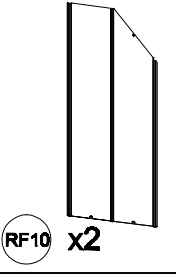
RF7 x2



RF8 x2

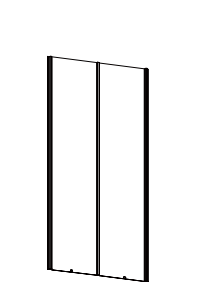


RF9 x2

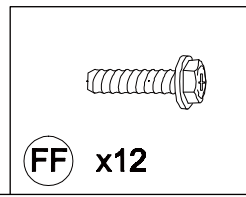
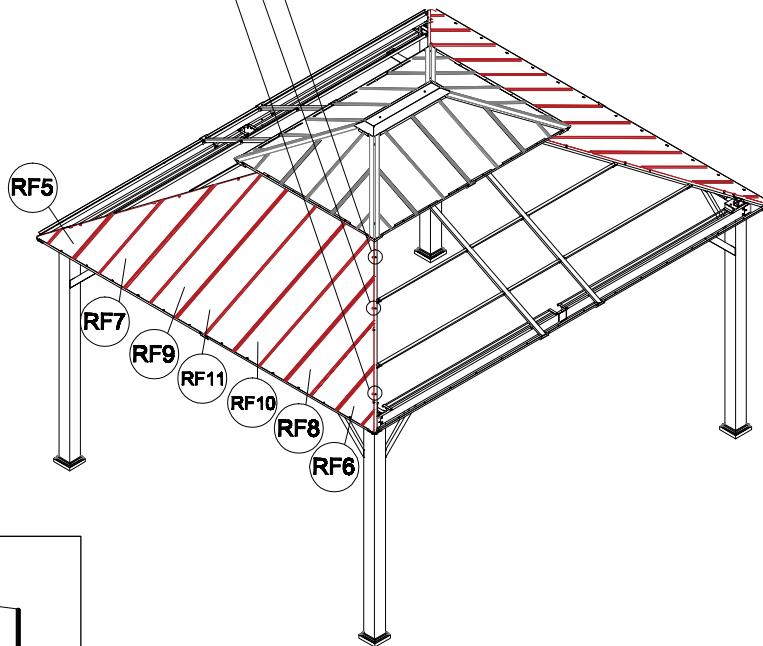
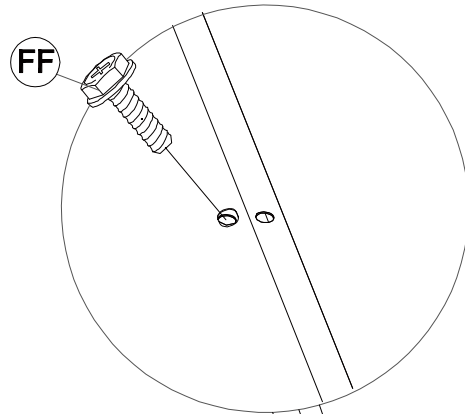
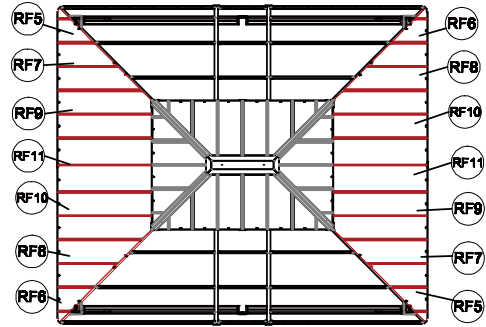


RF10 x2

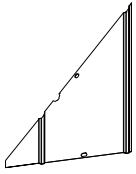
STEP3-6



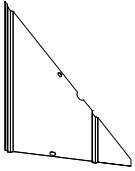
RF11 x2



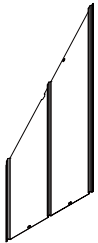
FF x12



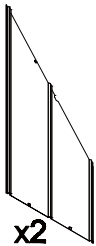
RF5 x2



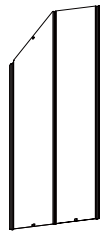
RF6 x2



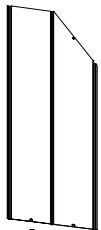
RF7 x2



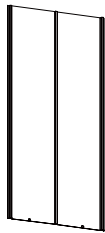
RF8 x2



RF9 x2

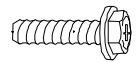
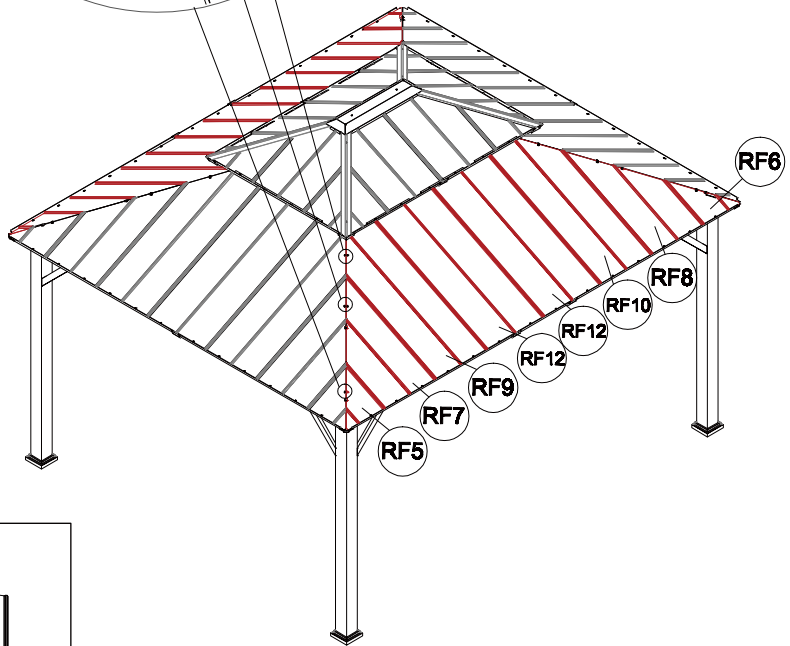
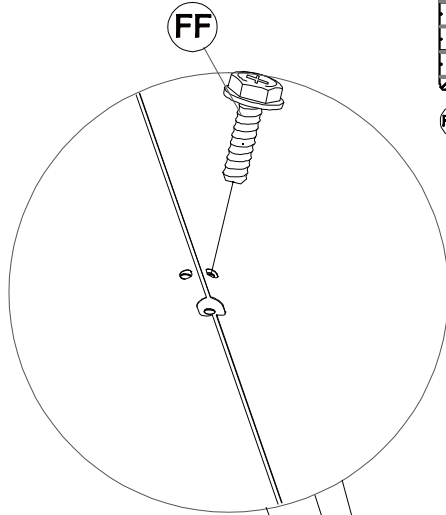
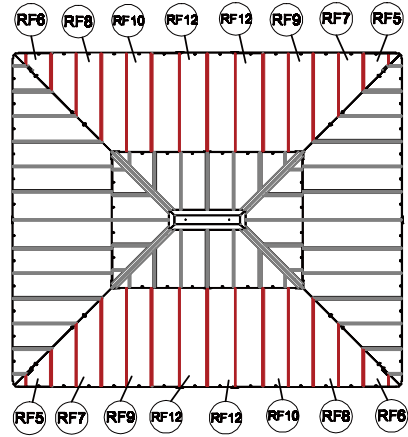


RF10 x2

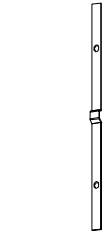


RF12 x4

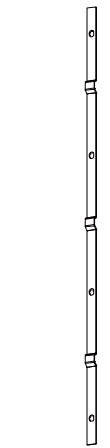
STEP3-7



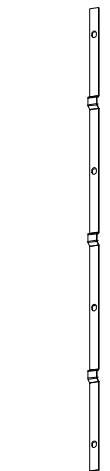
FF x12



HD6 x6

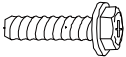
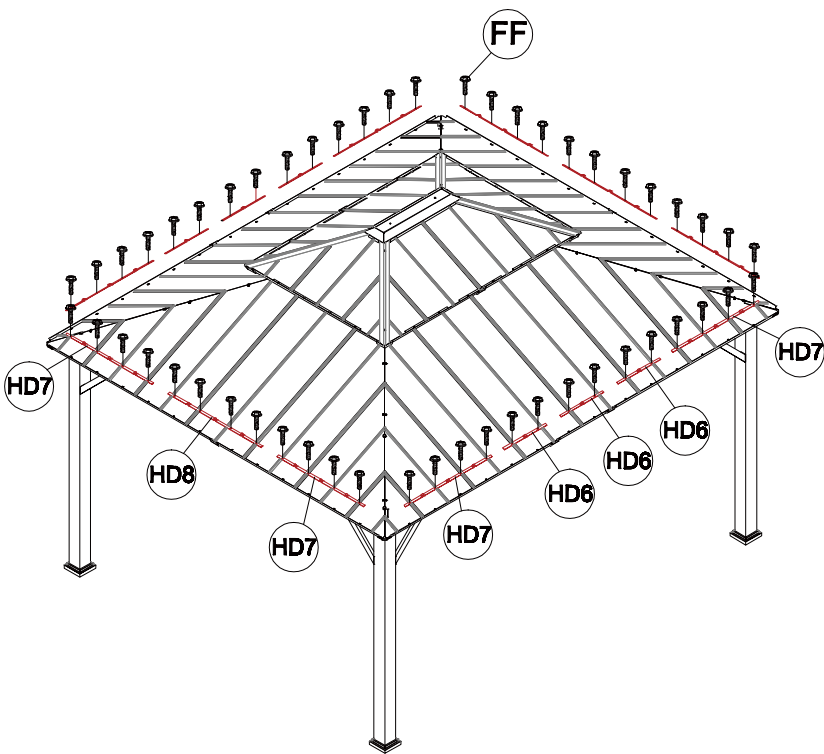


HD7 x8

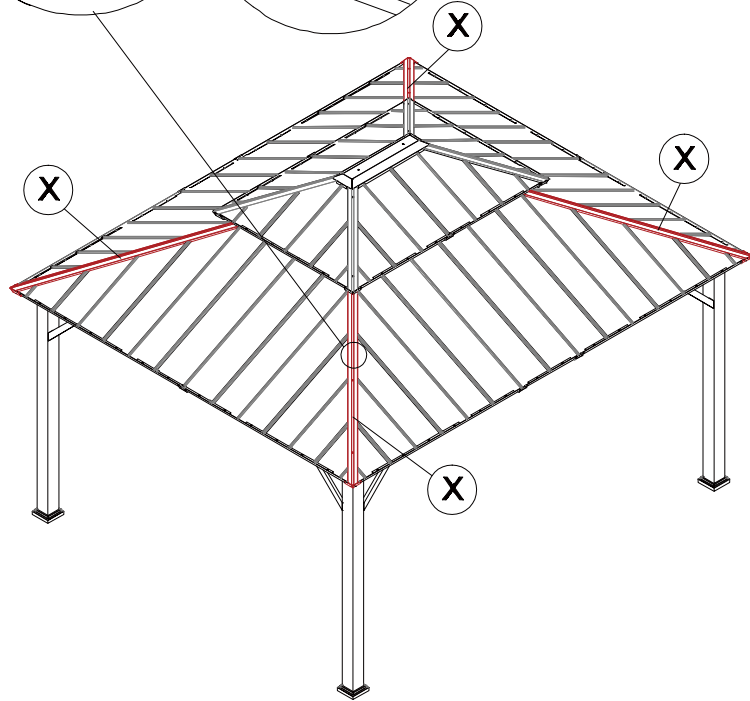
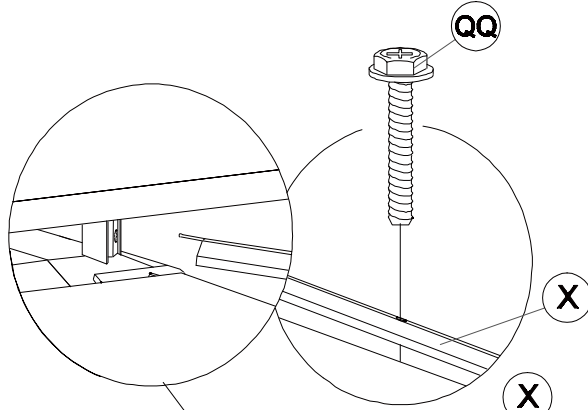
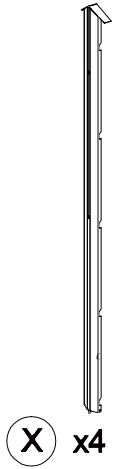


HD8 x2

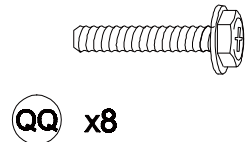
STEP3-8

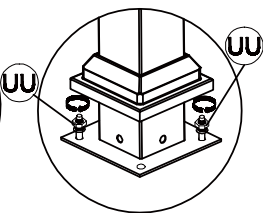
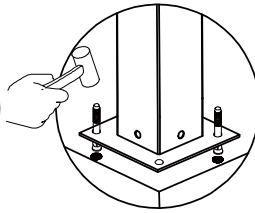
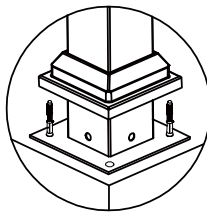
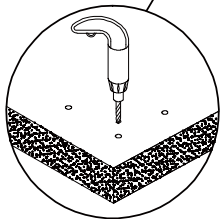
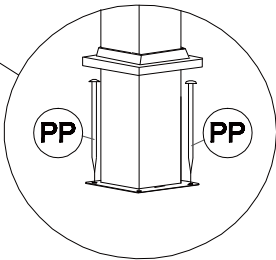
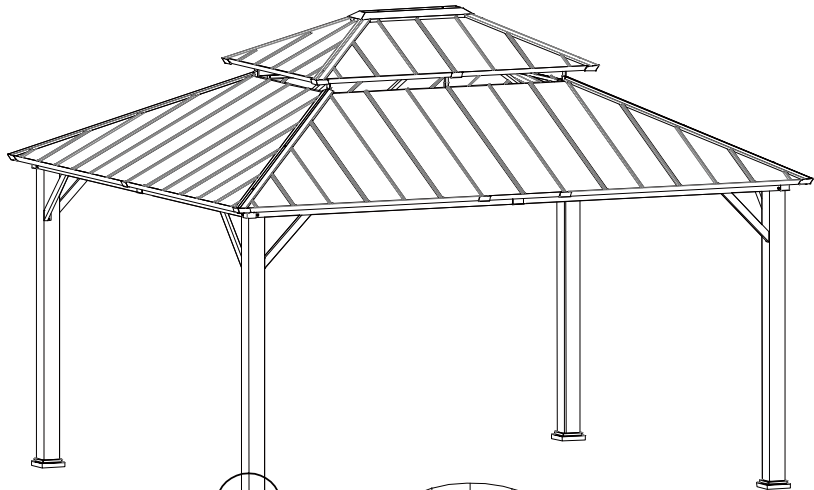


FF x52



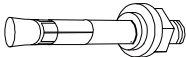
STEP3-9



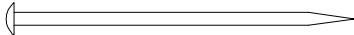


STEP3-10

UU x8

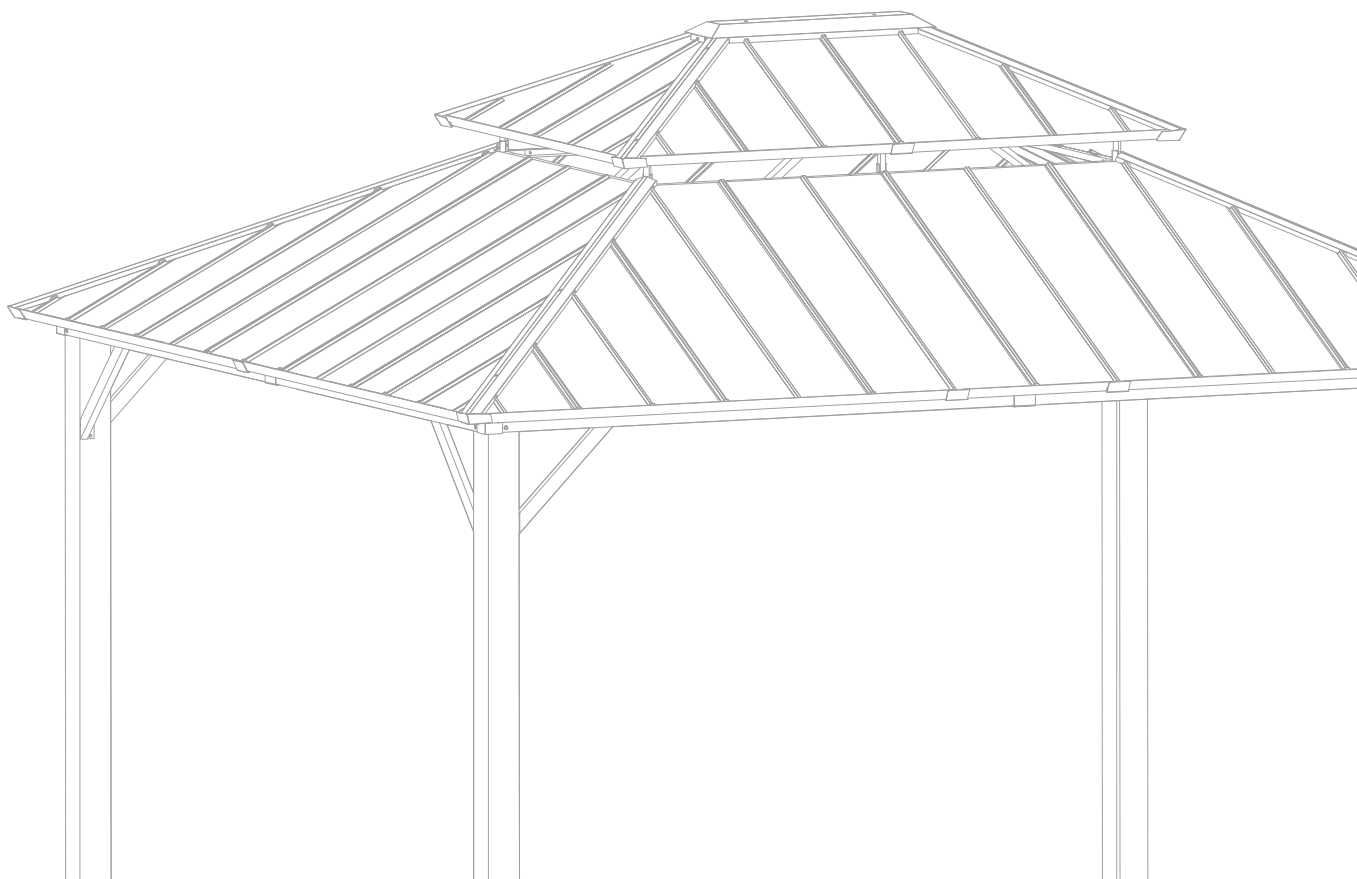


PP x8



Care and Cleaning

- Wash frame parts and fabric with mild soap and water, rinse thoroughly.
- Dry the frame completely and allow the fabric to drip dry.
- Do not use bleach, acid, or other solvents on the fabric or frame parts.
- Please inspect and tighten all bolts or fasteners on a regular basis to ensure the proper performance and safety of your gazebo.



Warranty

One Year Warranty

Frames

Frames constructions are warranted to be free from defects in material and workmanship for 1 year from item purchased. Damage to frame from negligence won't be covered by this warranty.

Bolts & nuts

Bolts and nuts are warranted to be free from defects in material and workmanship for 1 year from item purchased. Damage from exposure to chemicals (including not only oils ,spills, fluids) won't be covered by this warranty.

Curtains & Netting

Curtains and netting are warranted to be free from defects in material and workmanship for 1 year from item purchased. Damage from exposure to chemicals (including but not only oils, spills, fluids) won't be covered by this warranty.

Warranty Limitation

This warranty is for the original purchase order only. (Order number required). This warranty is non-transferable. Olilawn is responsible for the free replacement part including shipping charges for the 1 year warranty.

Warranty Exclusion

This warranty does not cover products subject to negligence, abuse usage, inappropriate installation, extreme weather condition. Olilawn reserves the right to explain warranty exclusions. When the replacement item is applied, the 1 year warranty automatically expires. Please feel free to contact us for applying warranty.



 **Website**
www.oilawn.com

 **Contact**
support@oilawn.com

 **Address**
Room 1003, No.209, Baoyuan Road, Baoan District, Shenzhen

 **Copyright**
Copyright © Shenzhen Xinfeng Innovation Technology Co., Limited

