



**NEW T42  
OWNERS MANUAL**

V 1.1 | 2022

[www.g-forcebike.com](http://www.g-forcebike.com)

# TABLE OF CONTENTS

|   |    |
|---|----|
| <b>Table of Contents</b>                  | 2  |
| <b>WARNING</b>                            | 4  |
| <b>Unboxing</b>                           | 6  |
| What's in the Box                         | 6  |
| Frame Number and Motor Number             | 7  |
| <b>EBike Structure Introduction</b>       | 7  |
| Installation of Integral Body             | 8  |
| How to Fold                               | 10 |
| How to Take Out and Put in the Battery    | 11 |
| How to Adjust the Seat Height             | 12 |
| How to Adjust the Height of the Handlebar | 12 |
| How to Adjust the Suspension Fork         | 13 |
| How to Charge                             | 13 |
| <b>Instrument Introduction</b>            | 14 |
| On/Off Meter                              | 15 |
| Up/Downshift                              | 15 |
| Single Mileage Clearing                   | 16 |
| Backlight Brightness Adjustment           | 16 |
| Mile Kilometer Switch                     | 17 |
| Speed Limit Setting                       | 17 |
| Assist Ratio Setting                      | 18 |
| <b>Safety Notes</b>                       | 19 |
| OPERATING SAFETY                          | 20 |
| Helmets and Local Laws                    | 20 |
| Pre-ride Safety Check and Inspection      | 20 |
| Riding in Wet Conditions                  | 20 |
| Riding at Night                           | 21 |
| Max Weight                                | 21 |

|                                  |    |
|----------------------------------|----|
| <b>PRE-RIDE SAFETY CHECK</b>     | 21 |
| <b>ERROR CODES</b>               | 23 |
| <b>WARRANTY</b>                  | 23 |
| <b>Electric Bike Maintenance</b> | 25 |
| Regular cleaning                 | 25 |
| Lubrication                      | 25 |
| Check the bolts                  | 25 |
| Tire pressure                    | 25 |
| Brake Pads                       | 26 |
| Waterproofing                    | 26 |
| Battery care                     | 26 |
| <b>DISCLAIMER</b>                | 27 |

# WARNING!

Read this entire manual before assembling or using your new electric bike. Do not modify, disassemble, or replace the original electrical components on your bike. Doing so will invalidate your warranty and could put you in danger. Riding any type of bike comes with some risks which can't be predicted or avoided. Taking proper care of bike components can lower the risk of sudden failure of components but cannot prevent it. These sudden failures could cause serious harm, injury, or death to the rider. If you notice abnormalities in any component on the bike, take it to a licensed mechanic to be repaired or replaced immediately.

G-force Inc assumes no liability for harm, injury, or death of the rider. This manual is not intended to function as a detailed service manual.

G-force recommends having your local bike shop mechanic perform a detailed safety check of your bike before your first ride. Ensure your local mechanic is experienced and reputable. G-FORCE NEW T42 can withstand most rain showers without sustaining damage. The bike has an IP rating of 65. This means it is dust tight and can withstand jetting water. See the IP code for more details. It does not mean that the bike and its mechanical and electrical components are waterproof. We do not recommend storing or using the bike in excessively wet conditions. The warranty for the G-FORCE NEW T42 does not cover water damage.

# **THANK YOU FOR YOUR PURCHASE!**

We appreciate your purchase and we hope you thoroughly enjoy riding your E-Bike.

If you need any assistance or have any questions please feel free to contact us.

## **CONTACT INFORMATION**

Email: [support@g-forcebike.com](mailto:support@g-forcebike.com)


Website: [www.g-forcebike.com](http://www.g-forcebike.com)

Phone: (909)330-6521

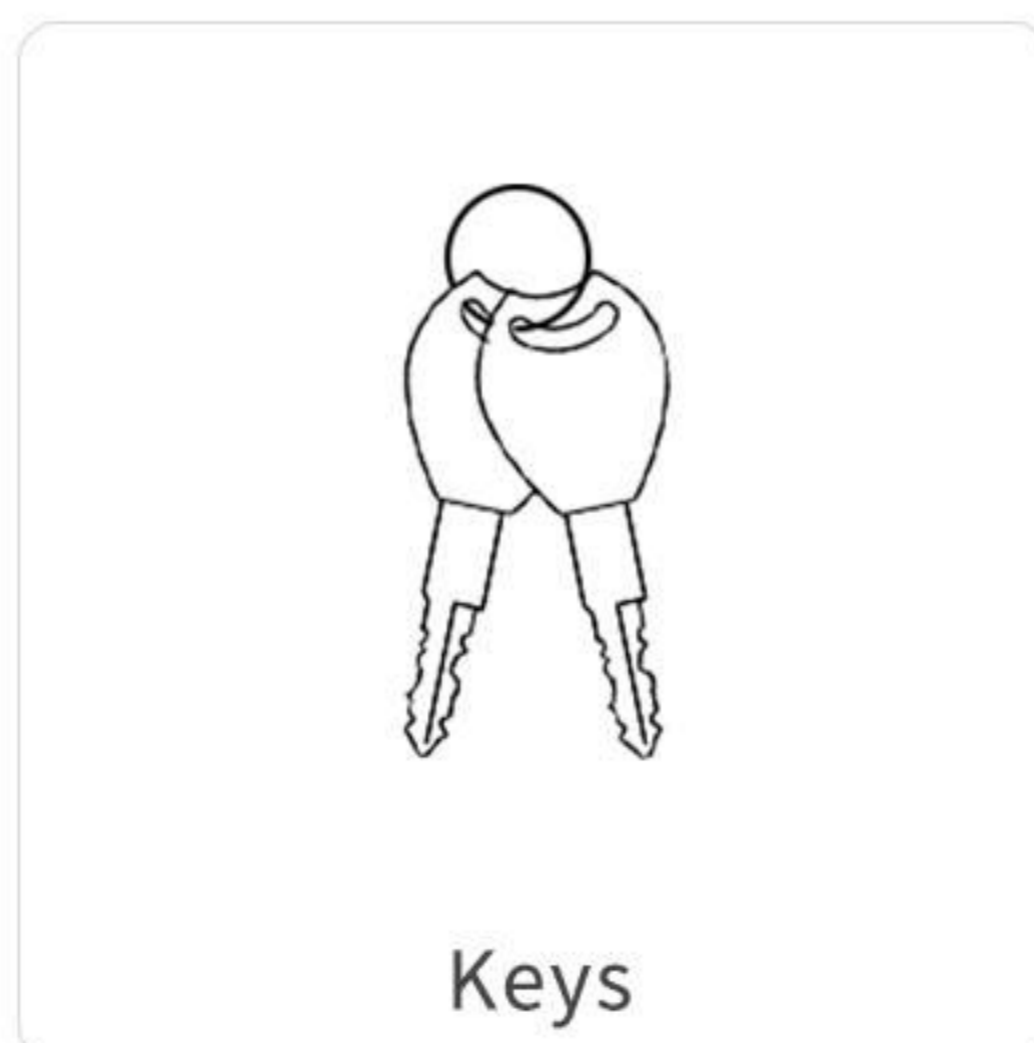
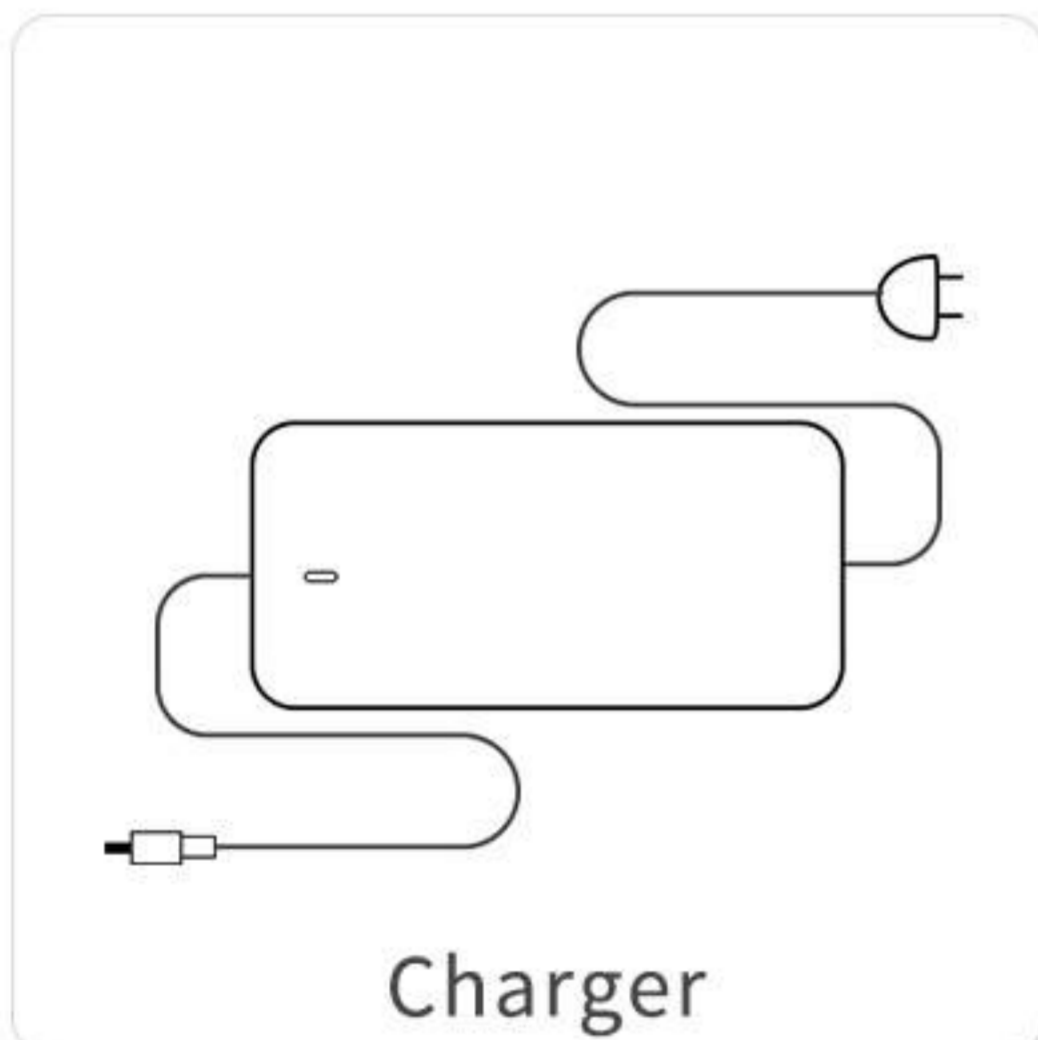
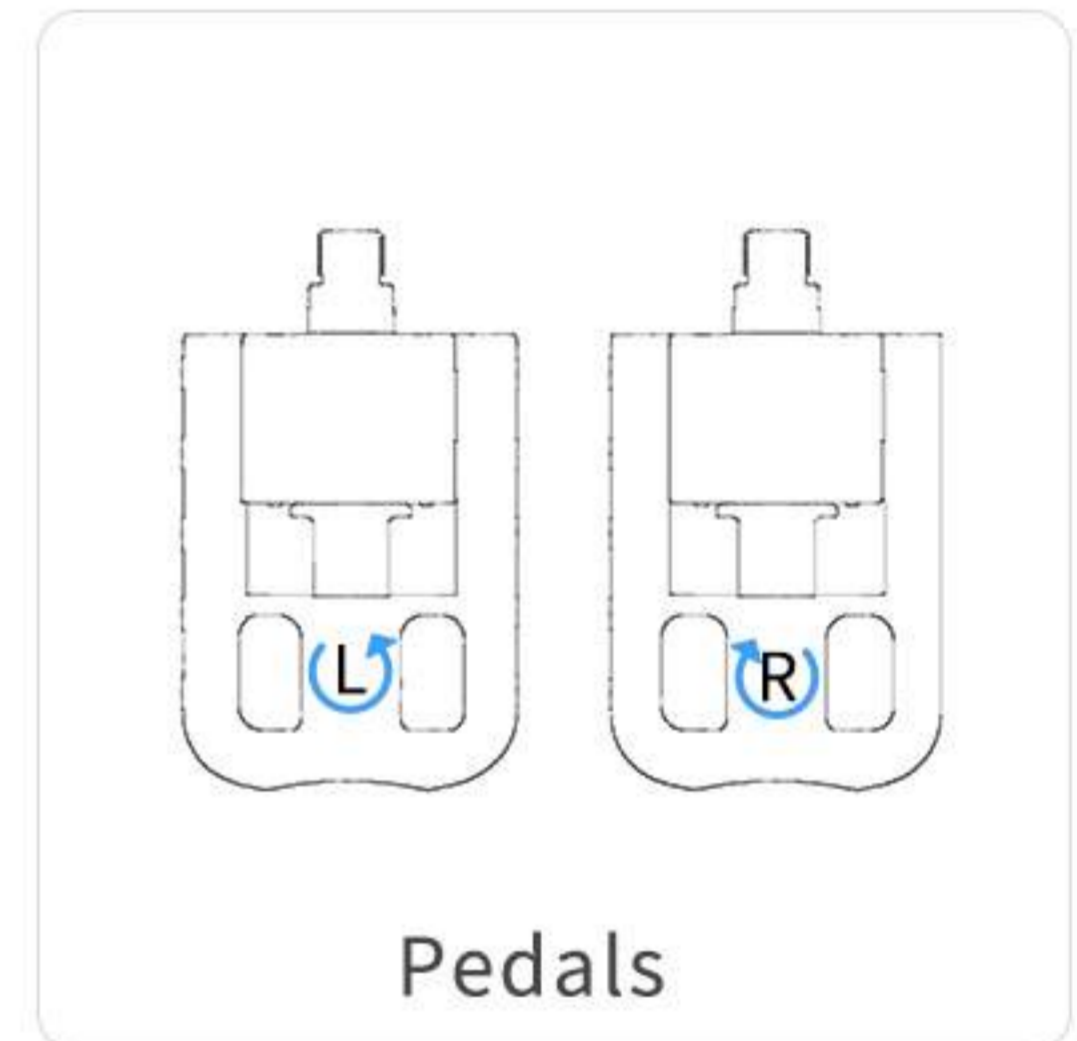
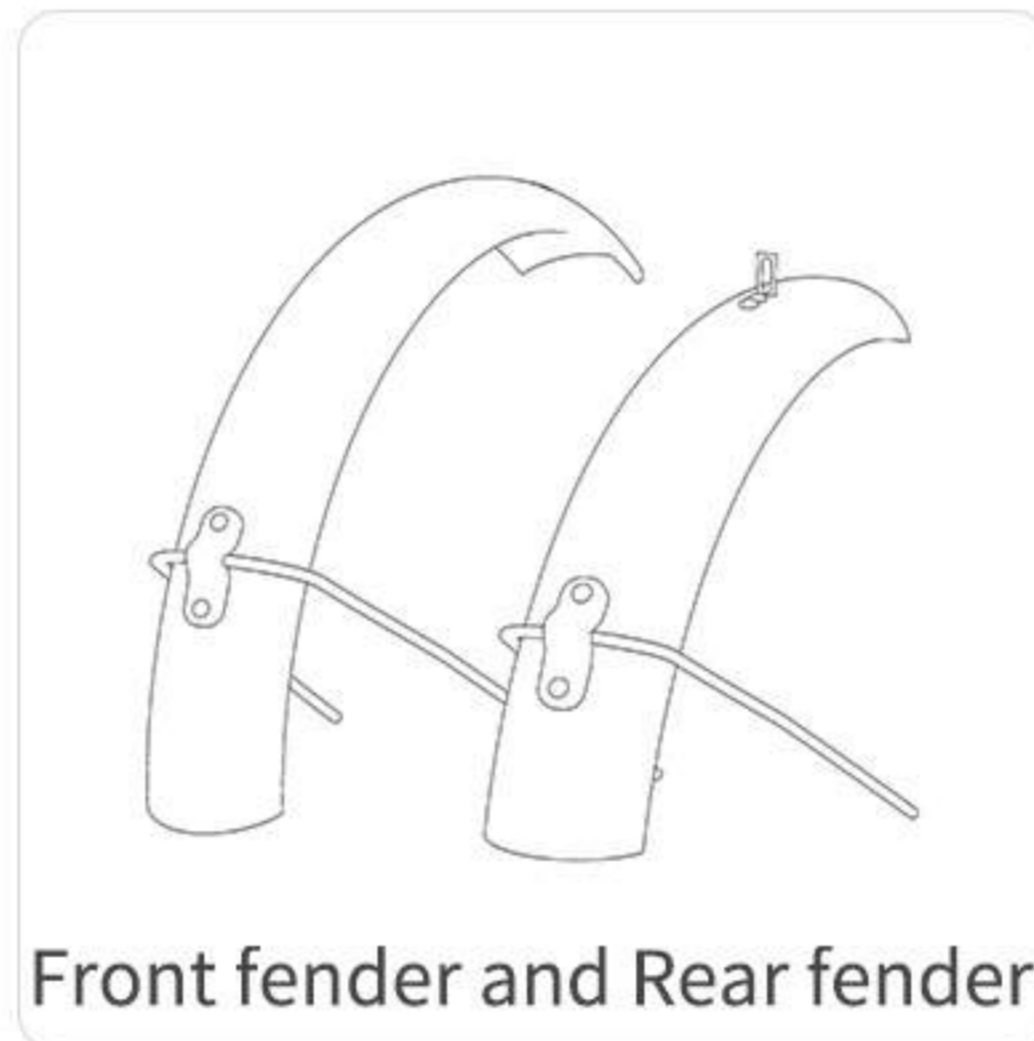
## UNBOXING

Congratulations on your purchase of a new G-Force E-Bike! Your bike and related accessories are inside your box, and the instructions below are meant to show you all the parts inside the box. Before removing the packing foam, please take out all the parts to confirm if there are any missing parts.

If any parts are missing or damaged, please contact G-Force customer service as soon as possible.

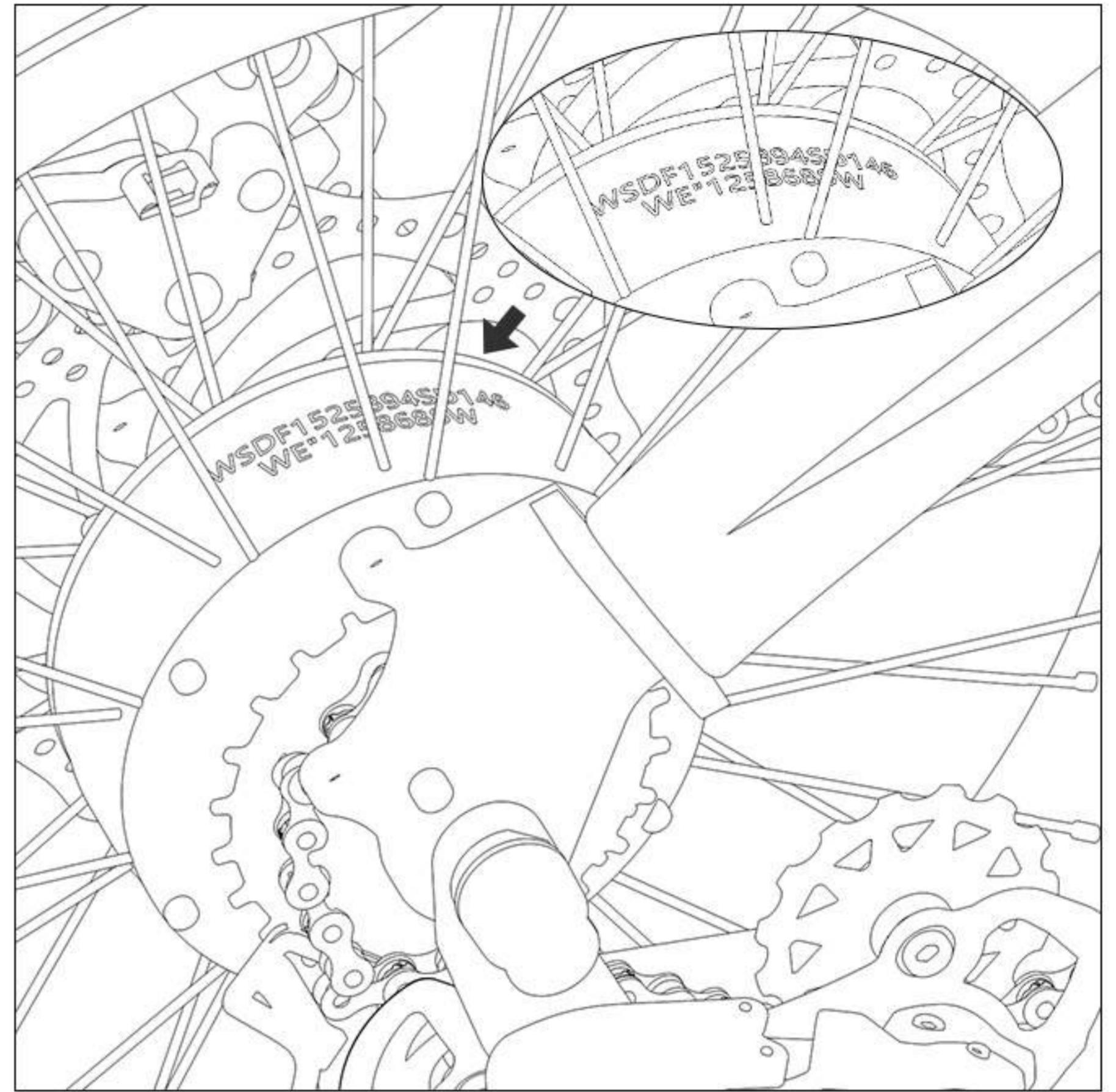
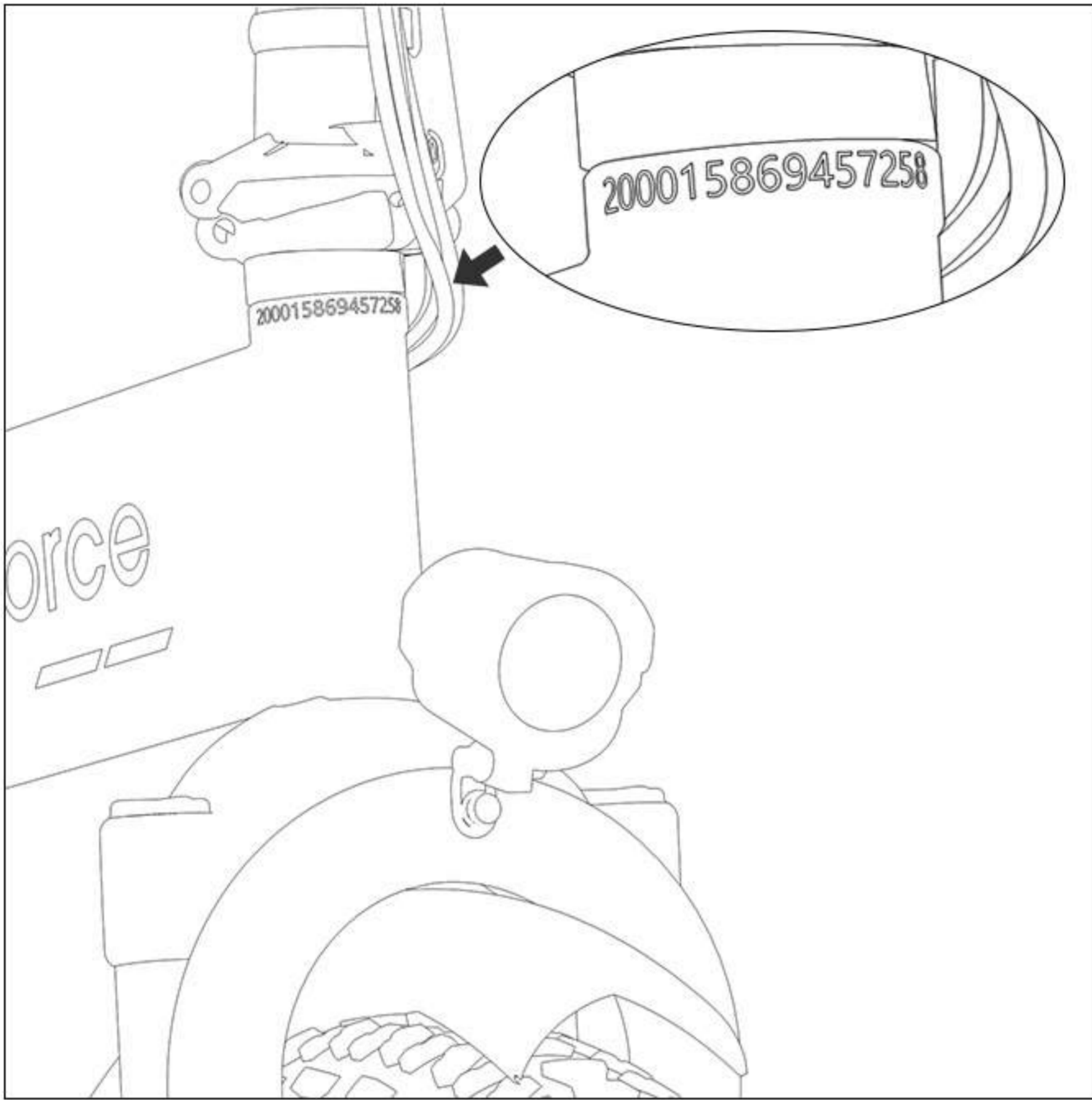
 **Note:** If you are installing or riding a bike for the first time, we recommend that you seek professional help, preferably from a certified bike mechanic.

### What's in the box:



## FRAME NUMBER AND MOTOR NUMBER

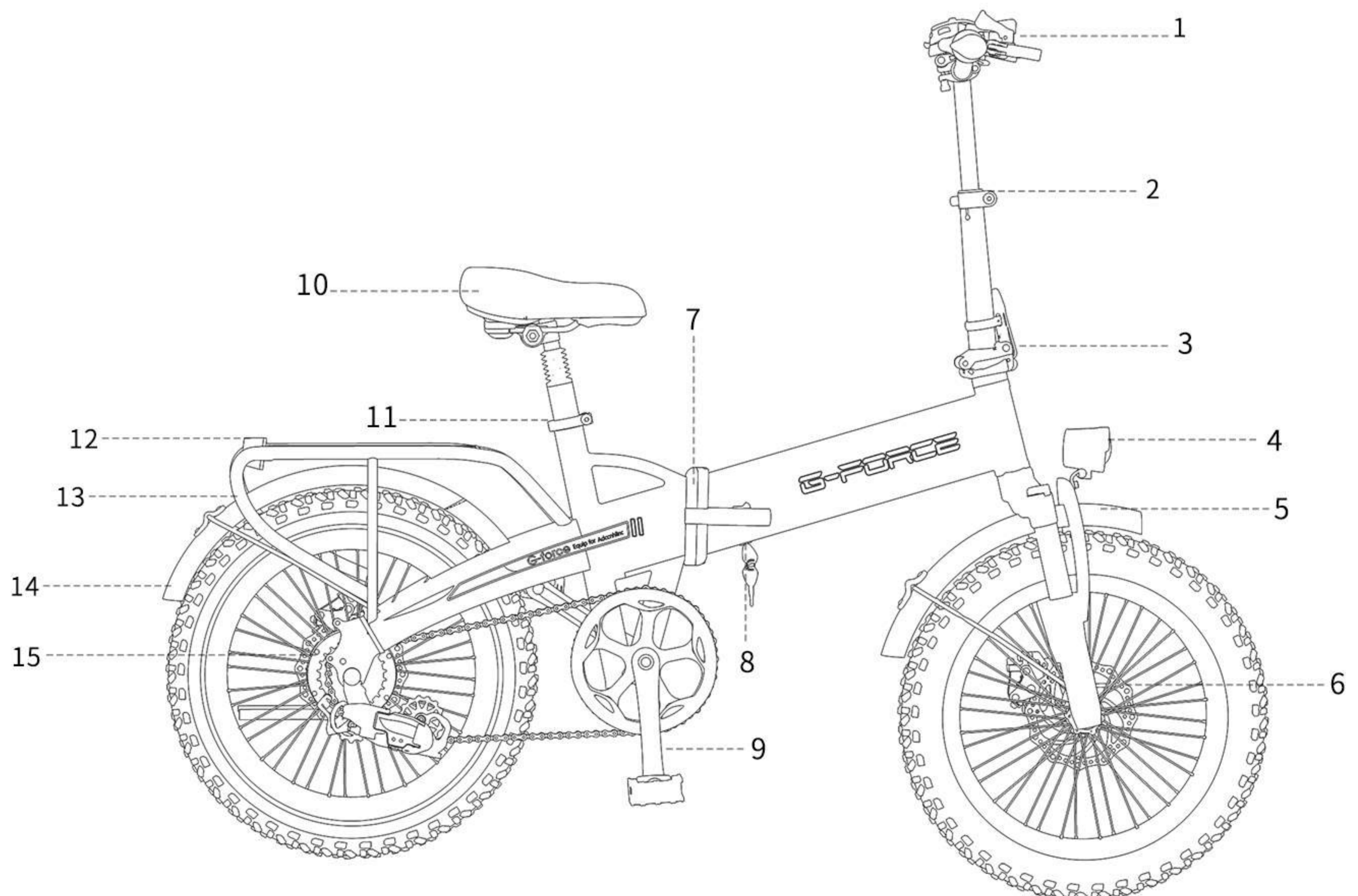
Your bike has two unique serial numbers on the frame and on the motor. As shown in the picture



Please find the serial number and motor number on your bike and record them. The motor number and frame number will be the proof of the warranty.

Also, electric car is stolen, you can provide the frame number for law enforcement.

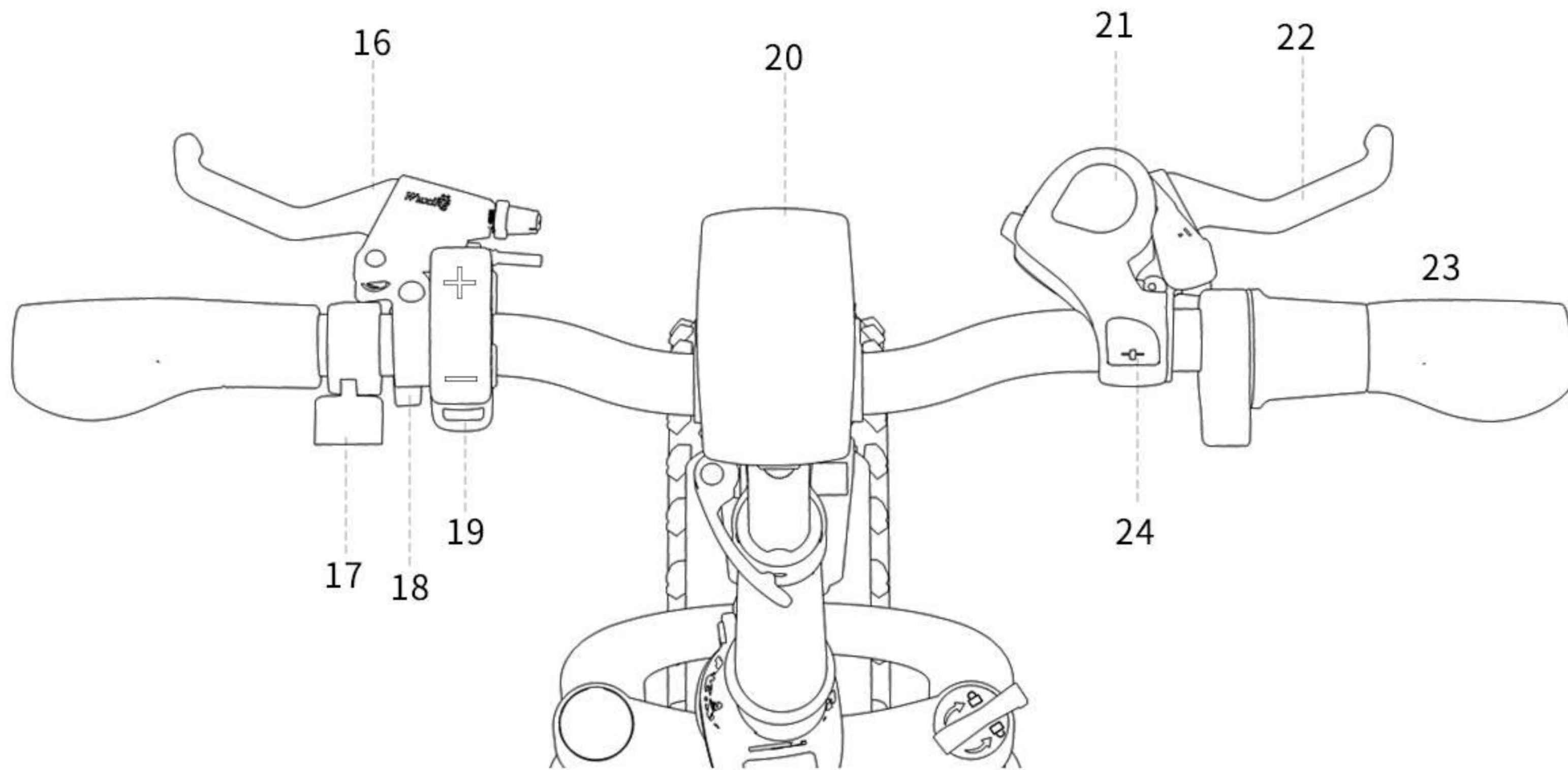
## EBIKE STRUCTURE INTRODUCTION



1. Handlebar
2. Quick release lever
3. Handlebar post
4. Headlight
5. Front fender

6. Brake disc
7. Folding latch
8. Keyhole
9. Crank shaft
10. Saddle

11. Seatpost clamp
12. Brake light
13. Rear rack
14. Rear fender
15. Motor

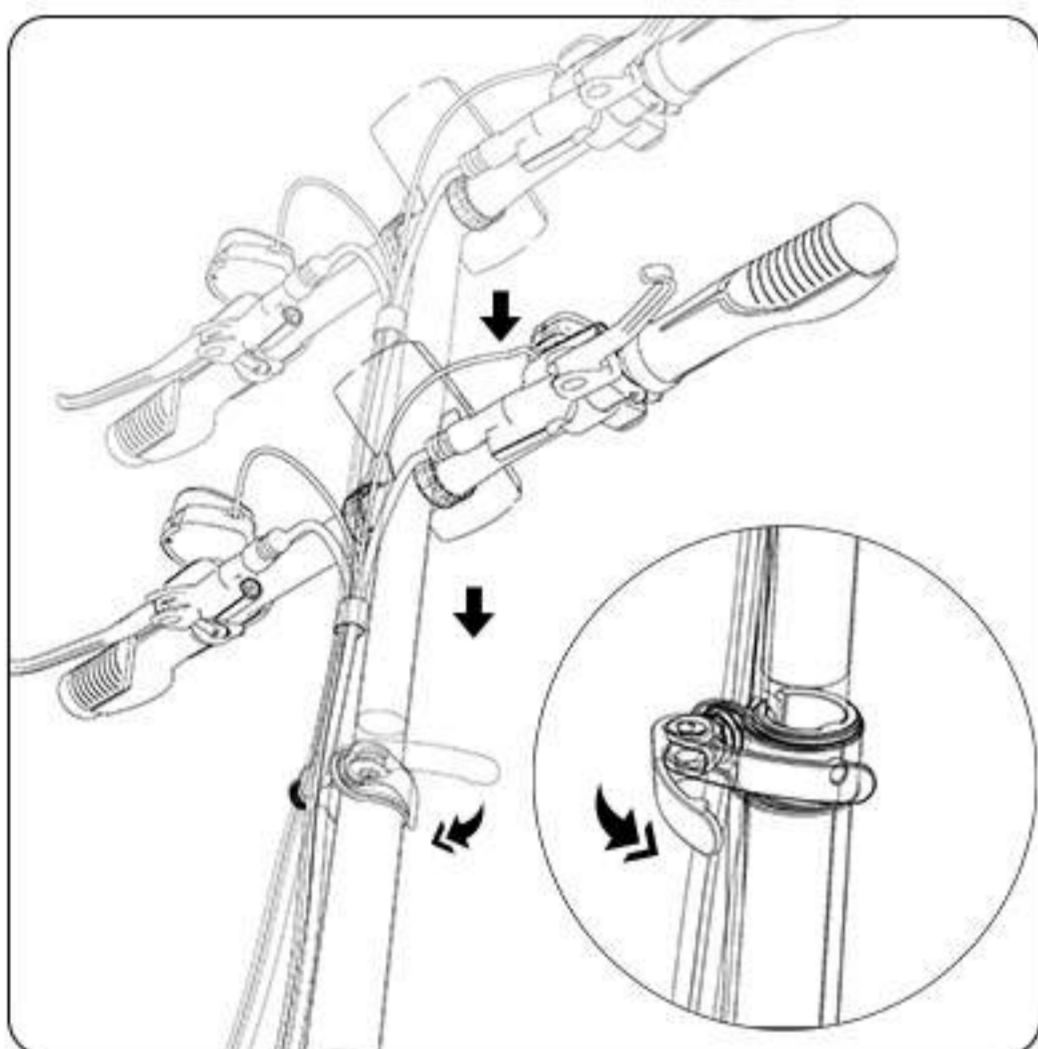


16. Front brake lever
17. Thumb throttle
18. Horn button

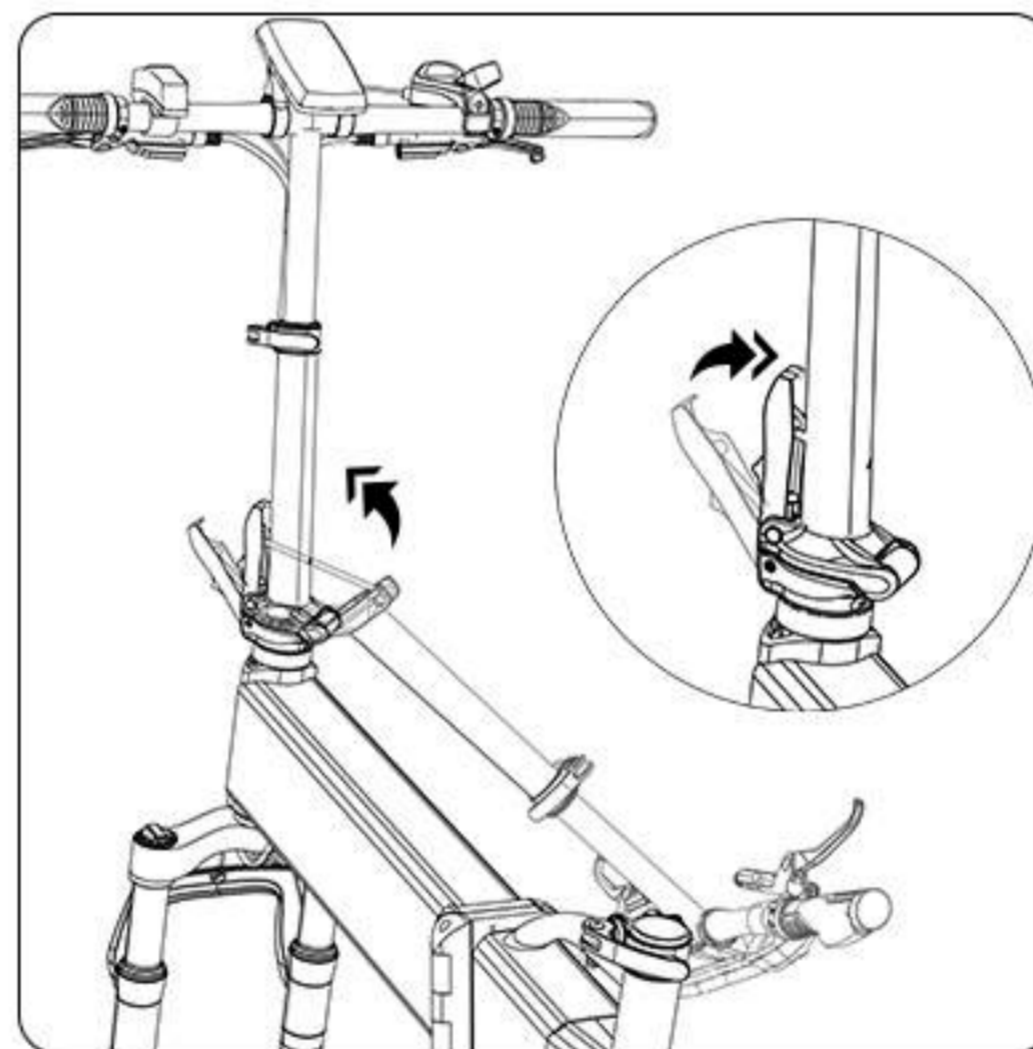
19. On/Off Button
20. Display
21. Thumb shifter

22. Rear brake lever
23. Downshifting Button
24. Upshifting Button

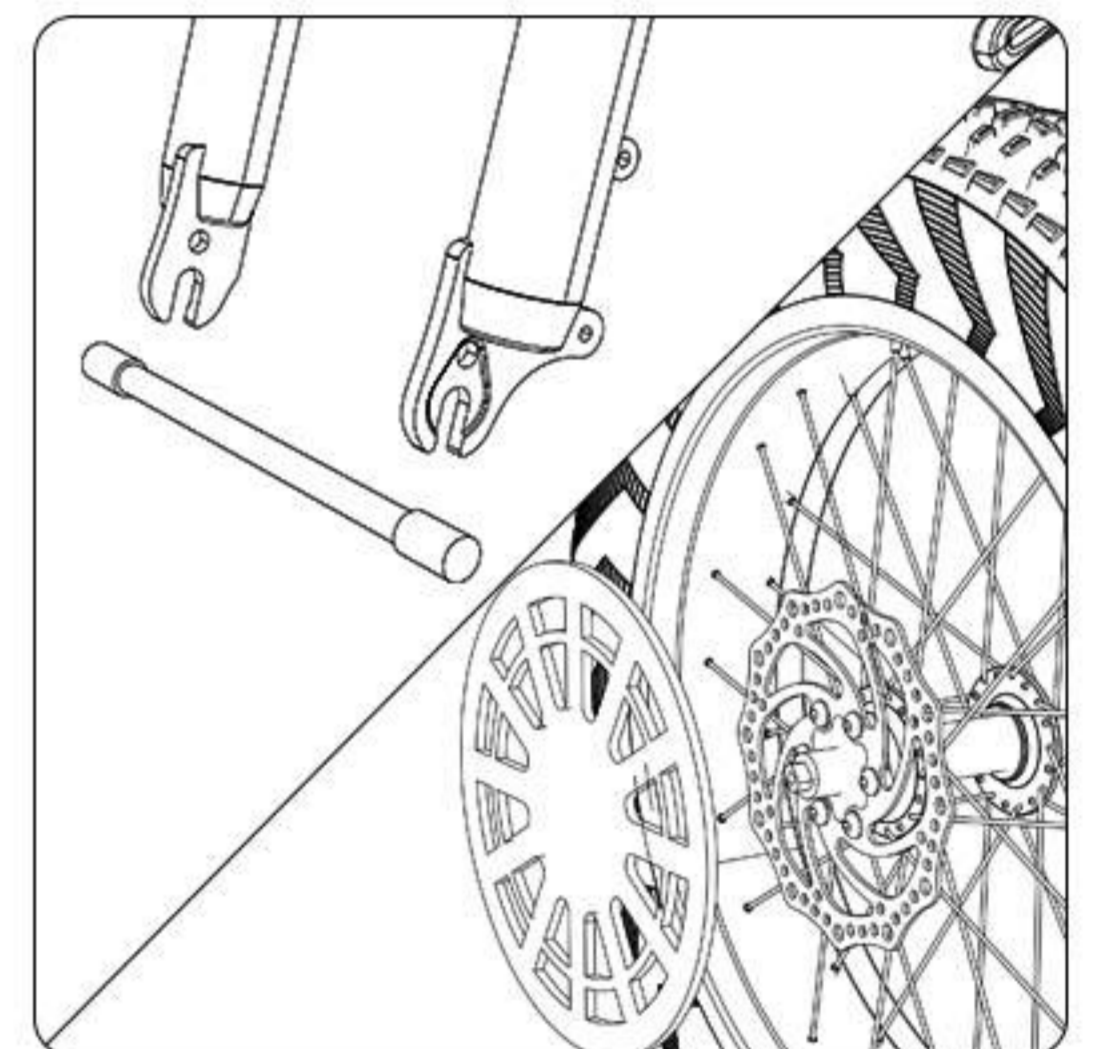
## INSTALLATION OF INTEGRAL BODY



1. Slot the top handlebar stem into the down stem riser. then secure the T-tube by using its quick-release stem riser clamp.



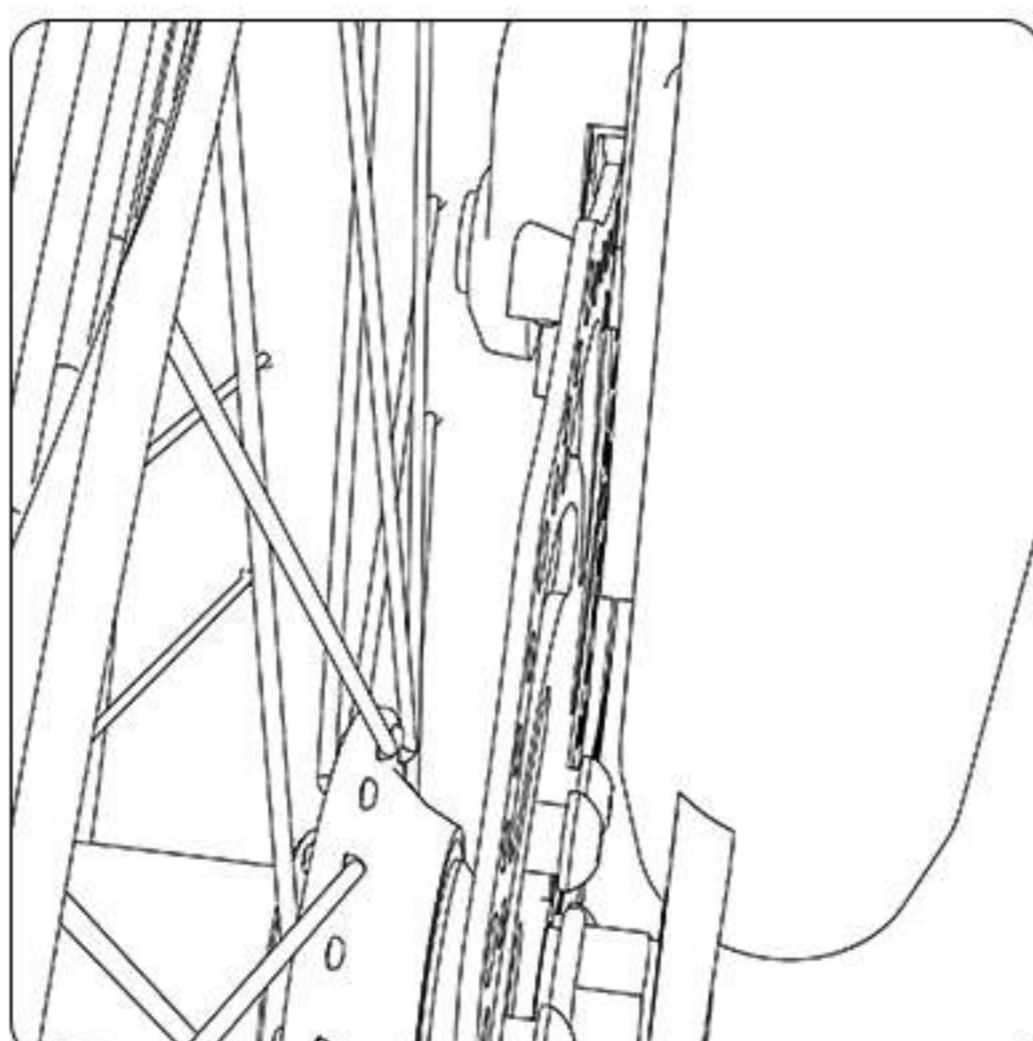
2. Lift the stem riser up, then fold the hinge release lever up and press it into the stem.



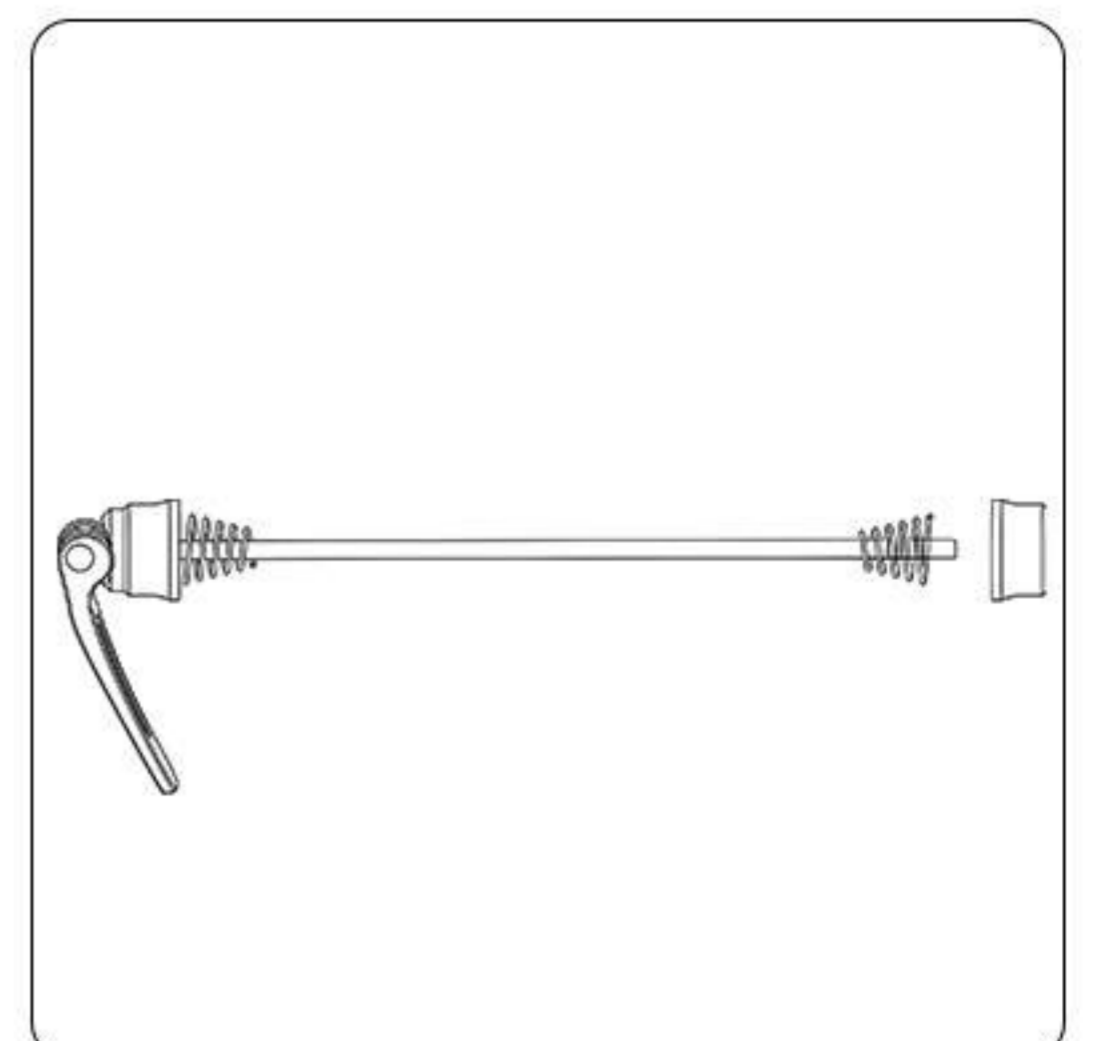
3. Lift up the front fork, then take down the front fork protector, and Remove the plastic protector from the front wheel.



4. Lift up the front of the bike and install the wheel. The dropouts should line up with both sides of the axle.

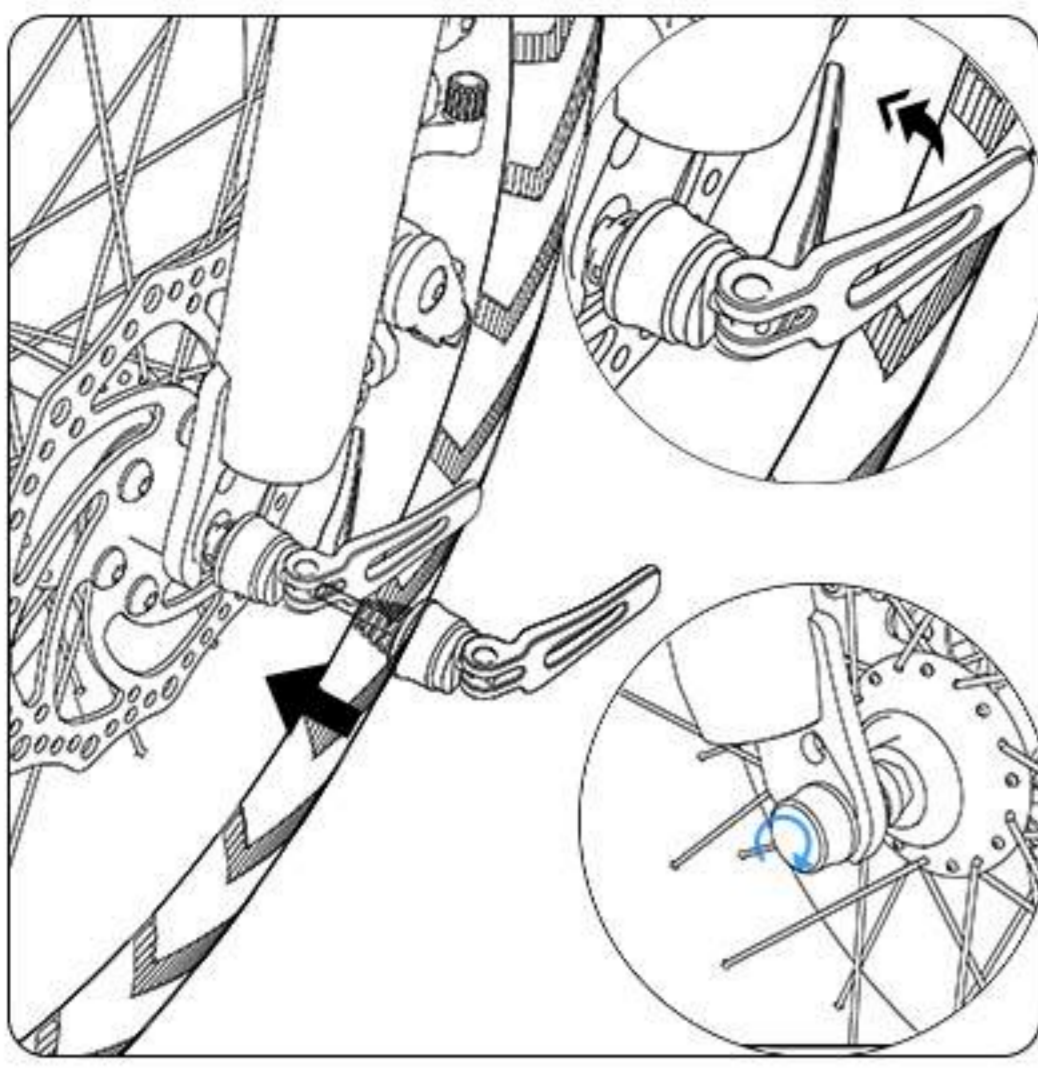


5. Take a look at the brake rotor and make sure that the rotor slides through in between the brake pads inside the caliper.

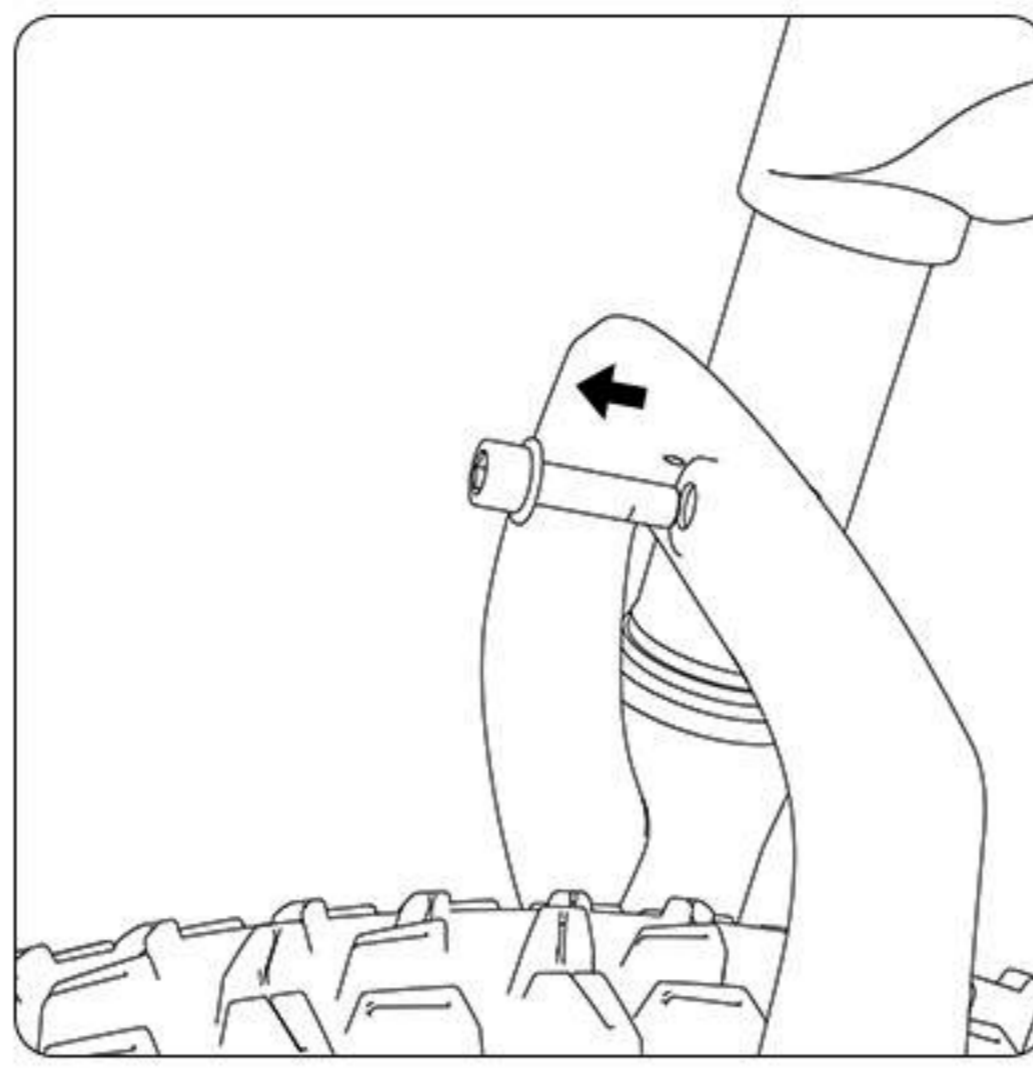


6. Pick up the quick-release skewer which is in your small parts box.

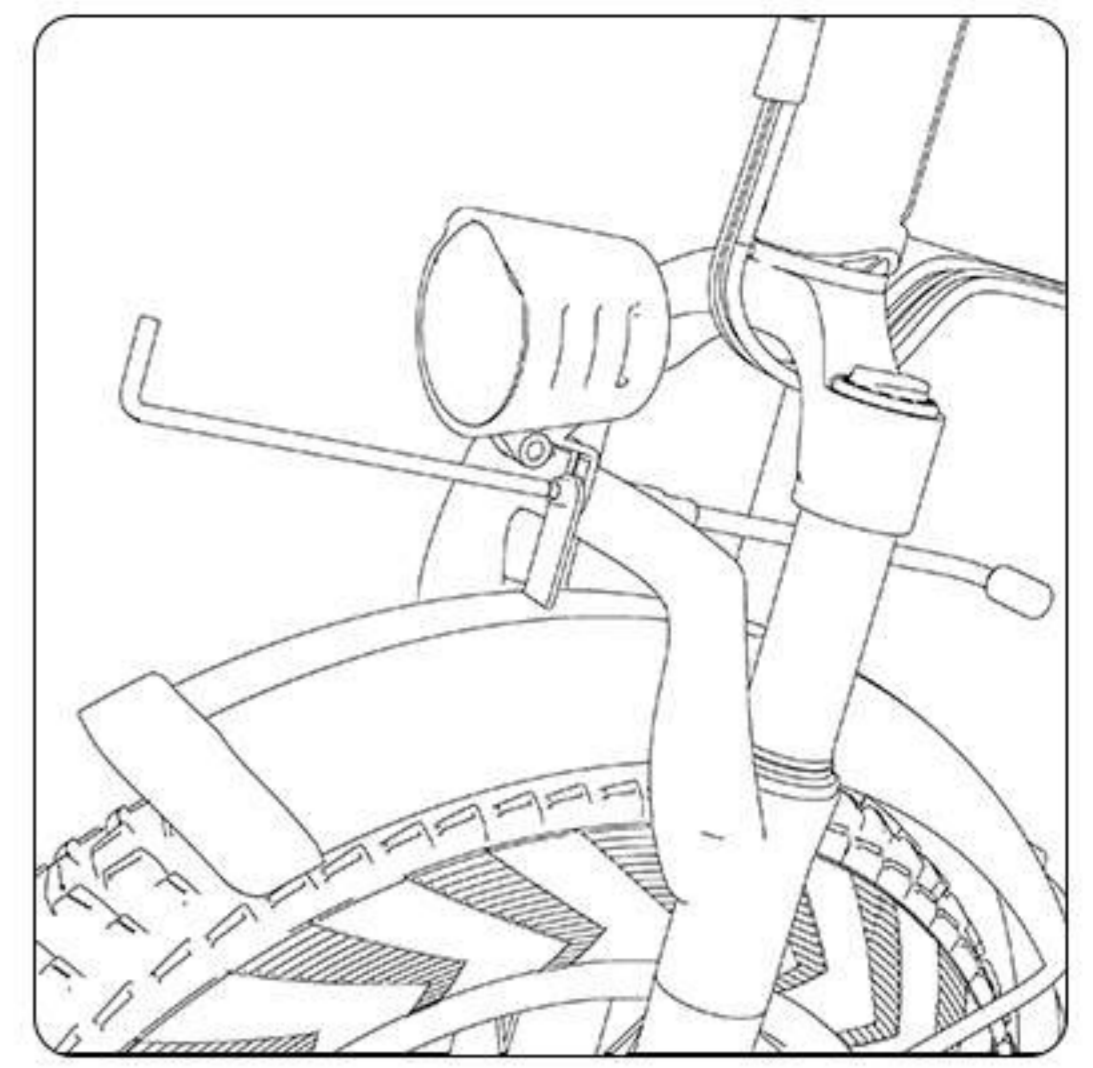




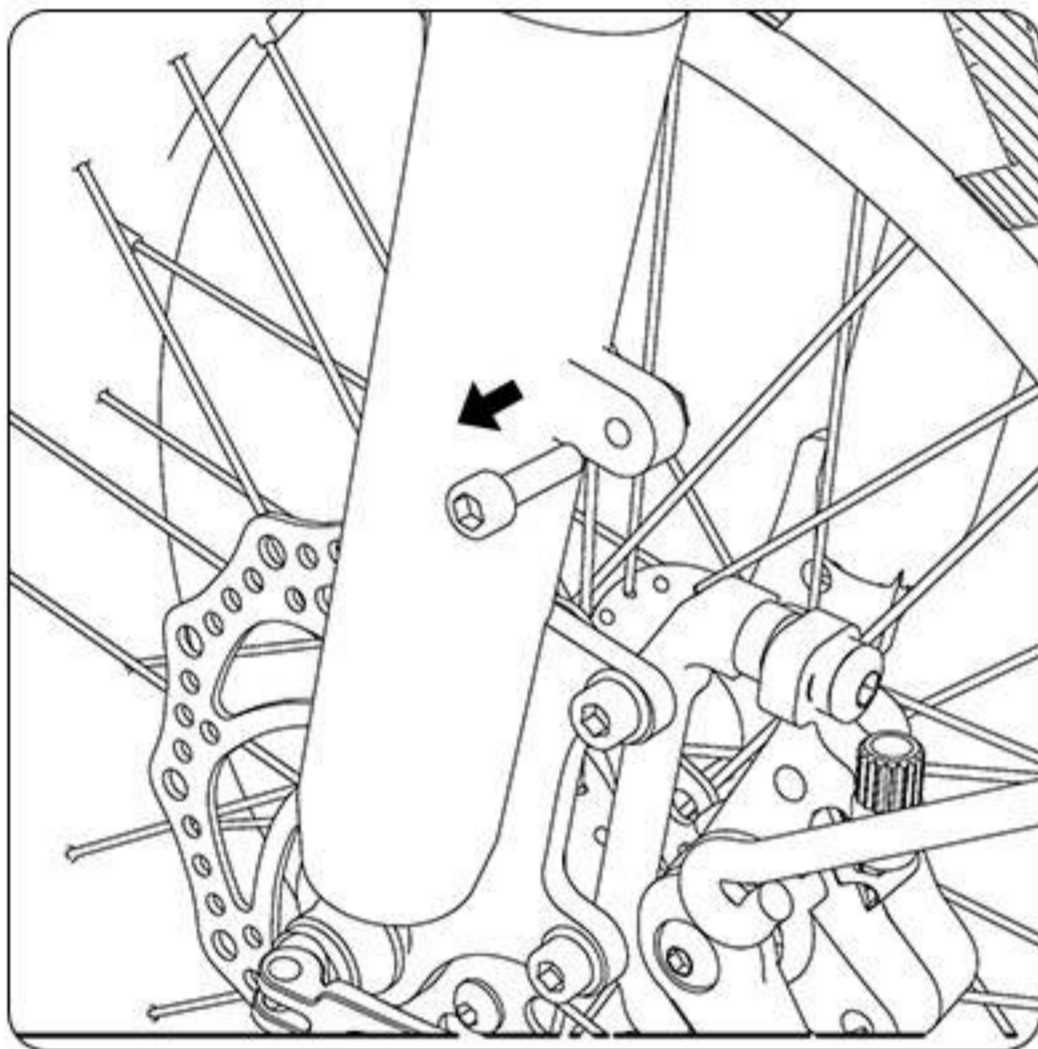
7. Install the quick-release skewer, Then push the lever to the closed position.



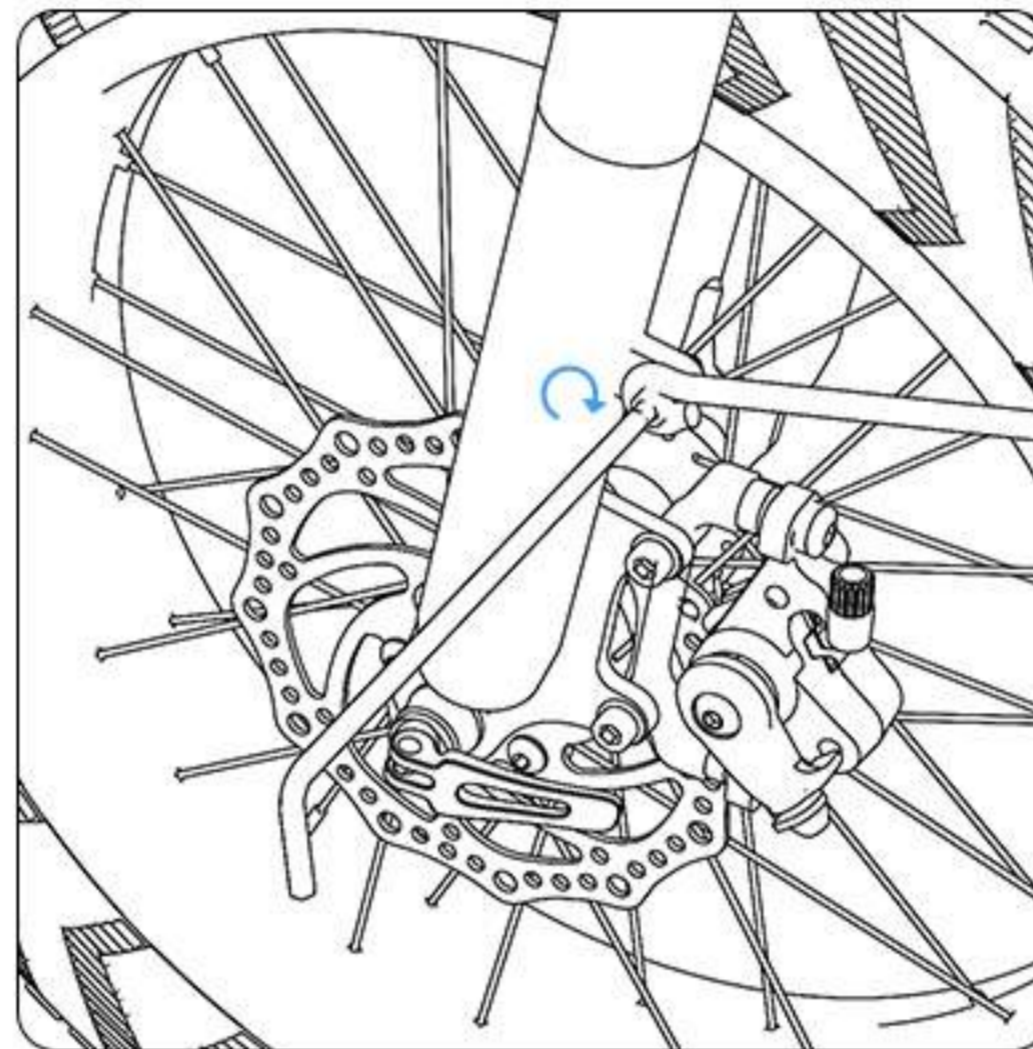
8. Remove the mounting hardware from the crown of the fork.



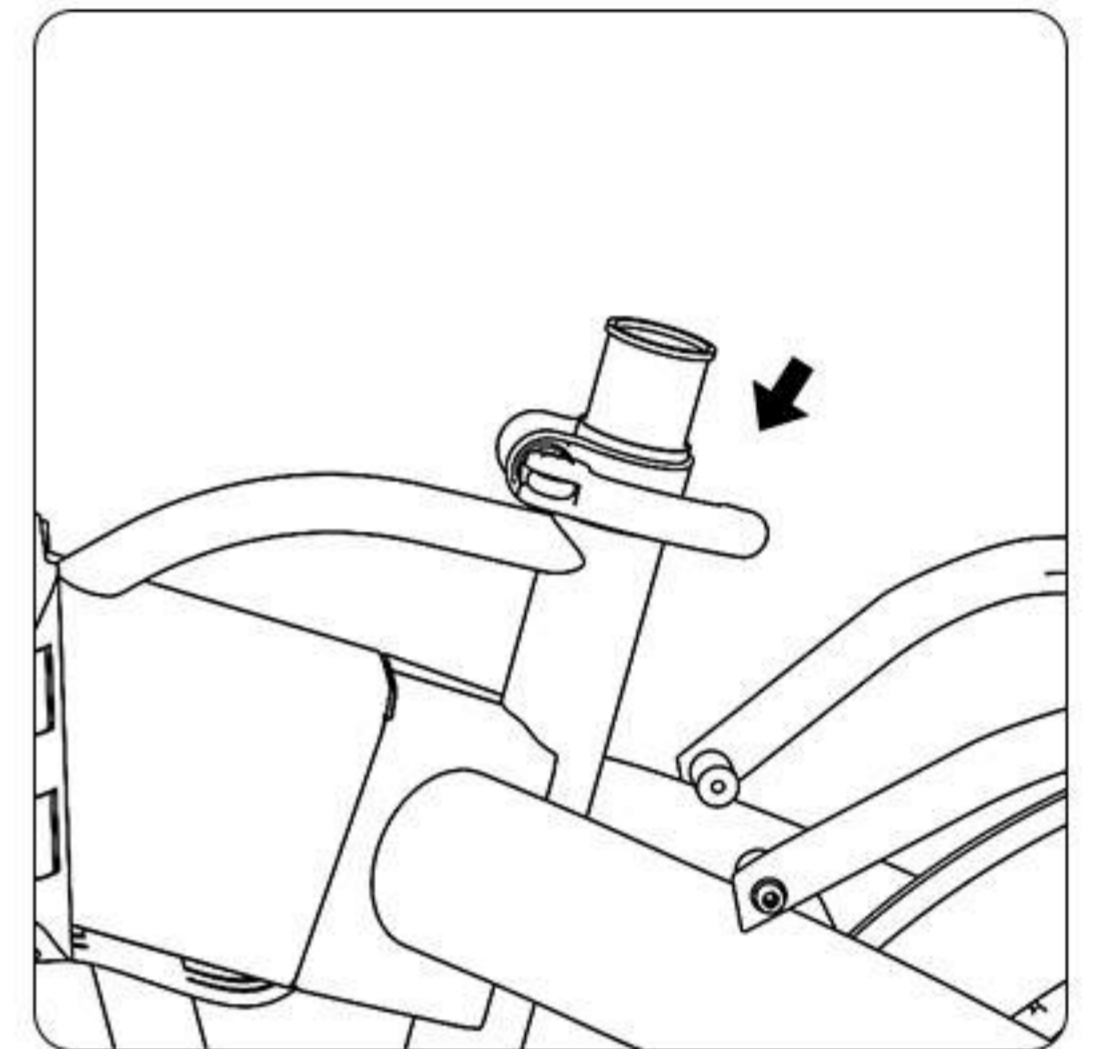
9. Then locate a socket wrench and Allen that comes with the bike as auxiliary tools to tighten the nut.



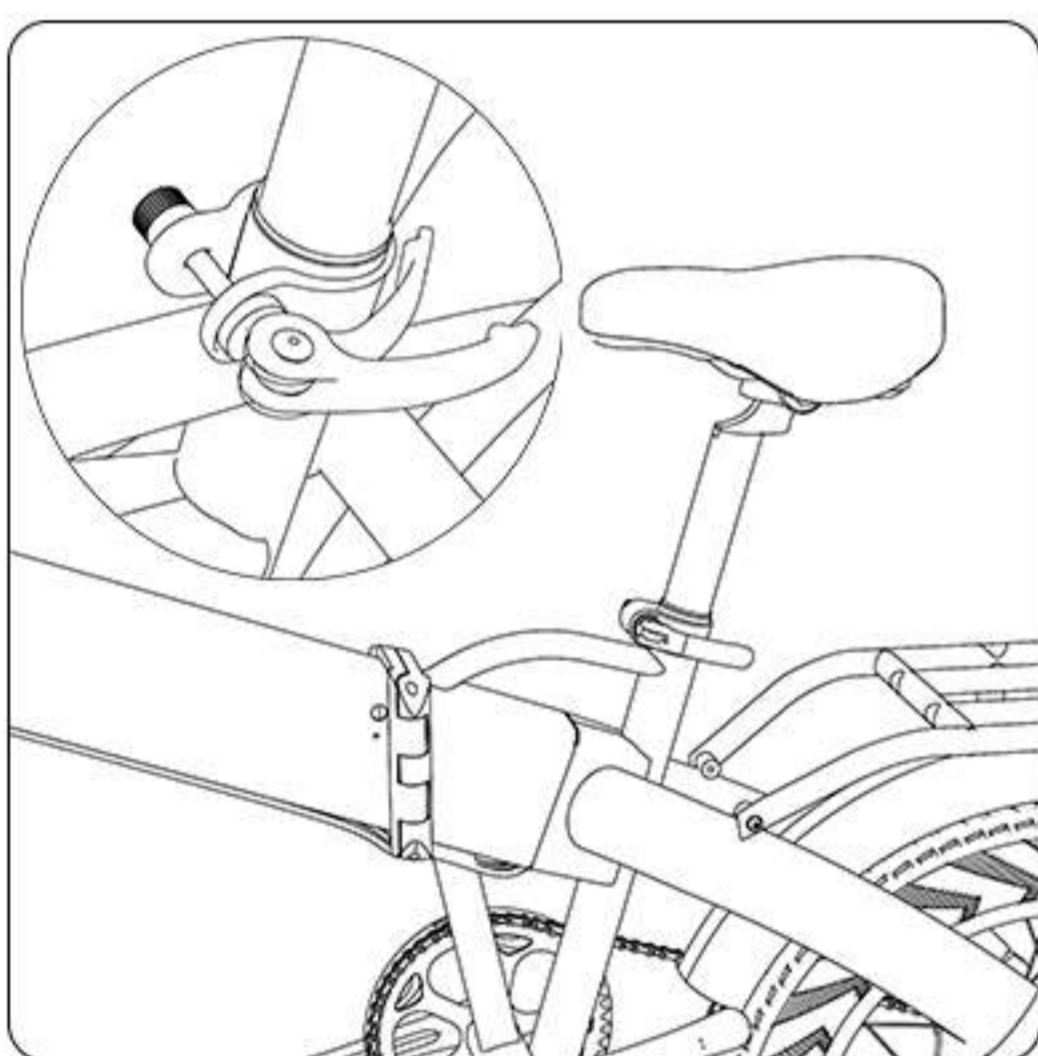
10. Remove the fender brace mounting hardware from the legs



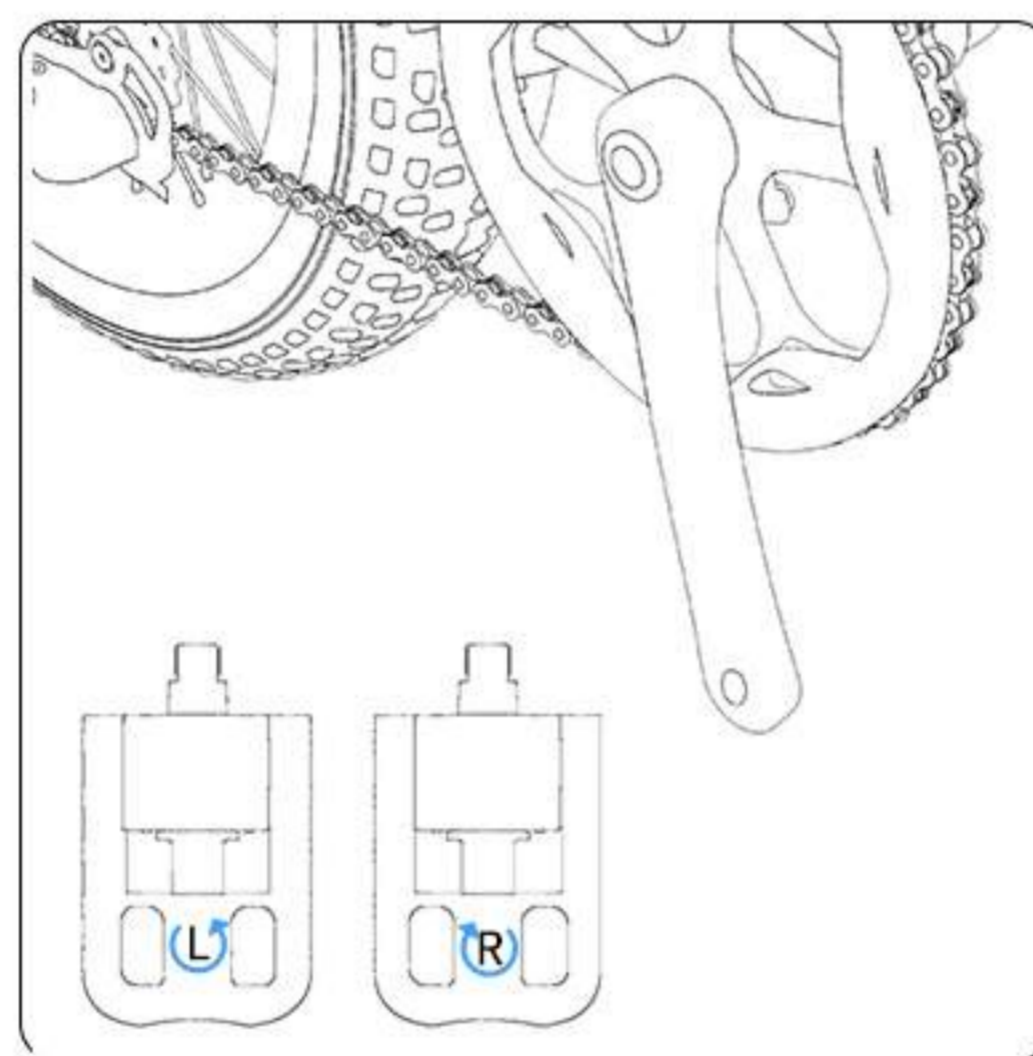
11. Pass the bolts through the fender arm eyelets, and attach the fender braces onto the bike.



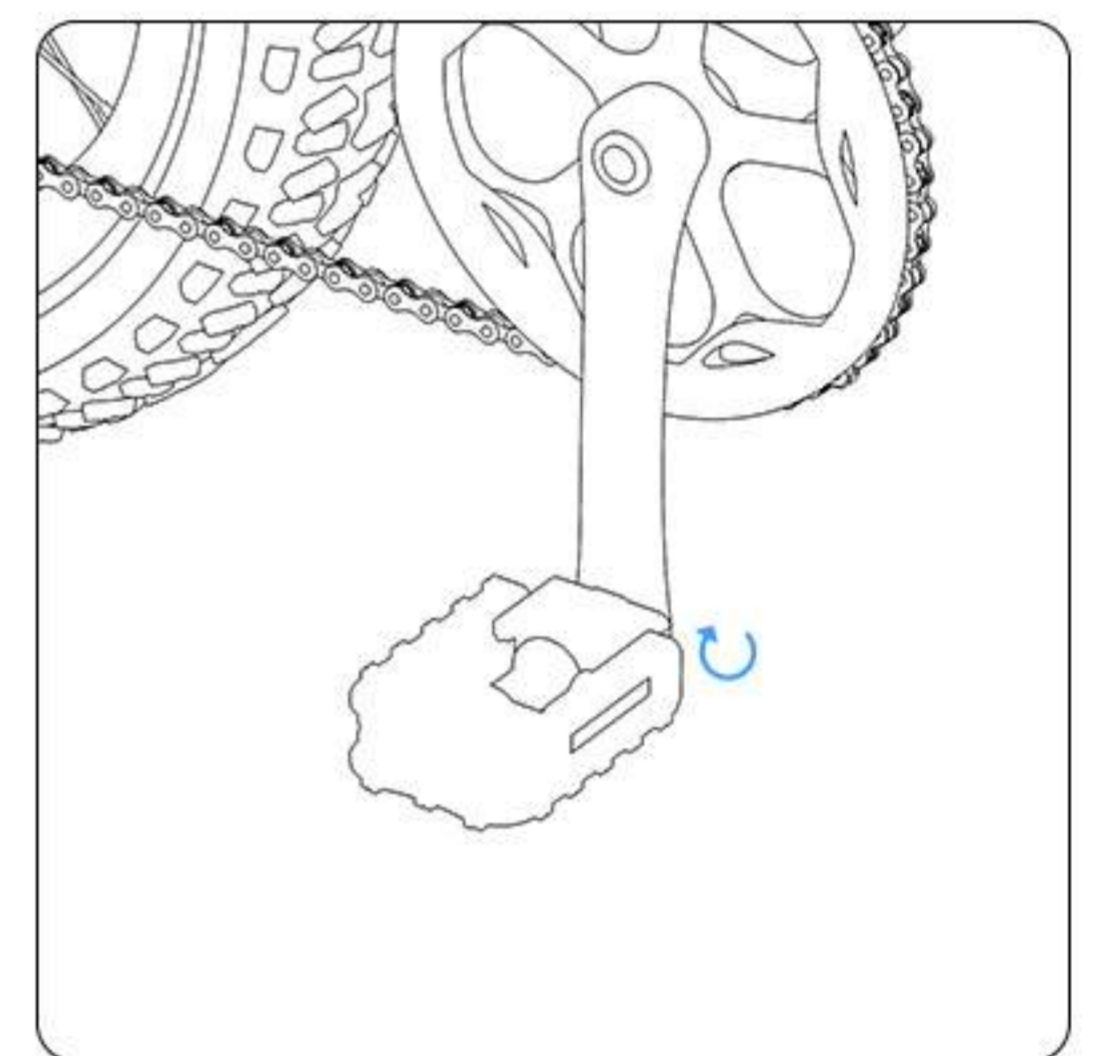
12. Check if there is a seatpost sleeve inside the seat tube.



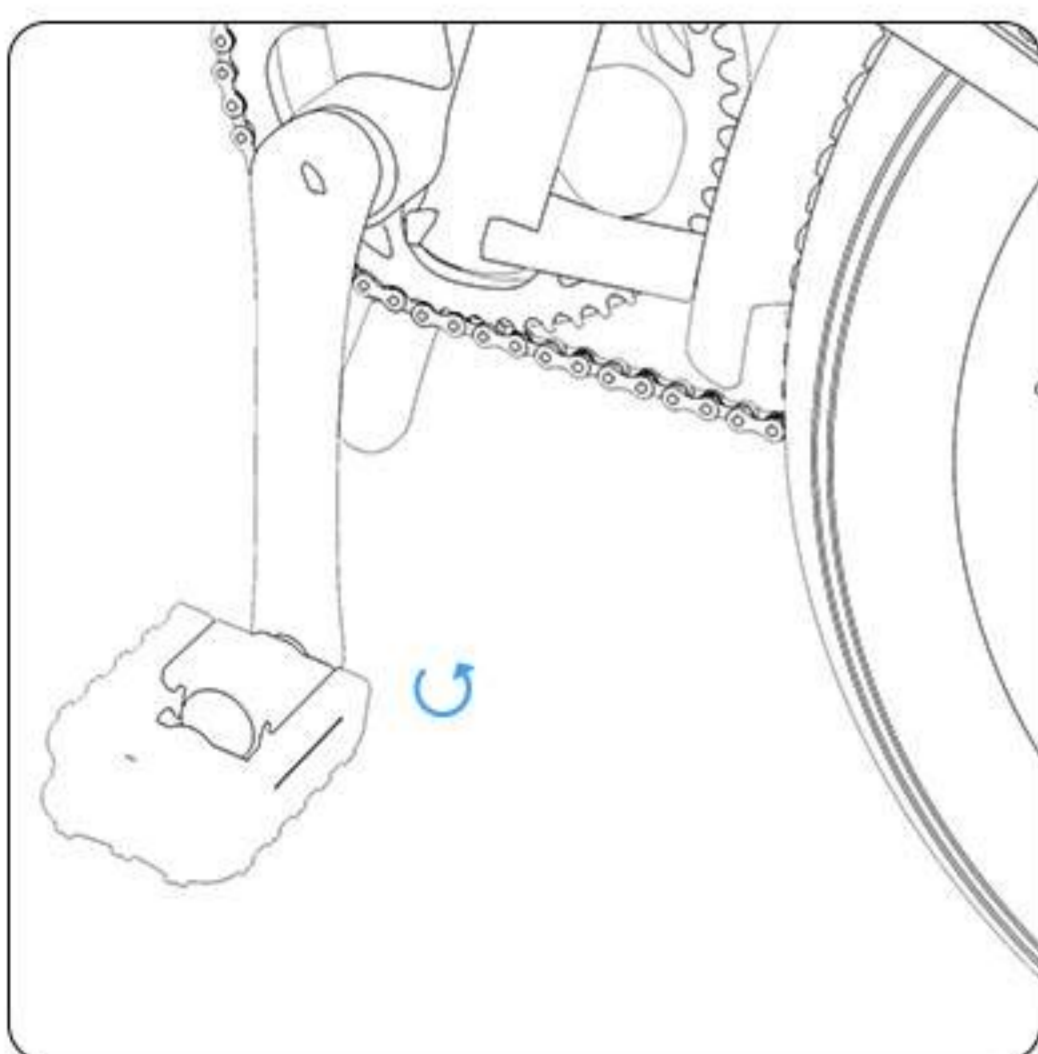
13. Install the seat tube and fold the quick-release seat post clamp to lock the seat post into position.



14. Identify the left (L) and right (R) pedals The left and the right pedals are marked on both ends



15. First install the right pedal by tightening the pedal in clockwise direction

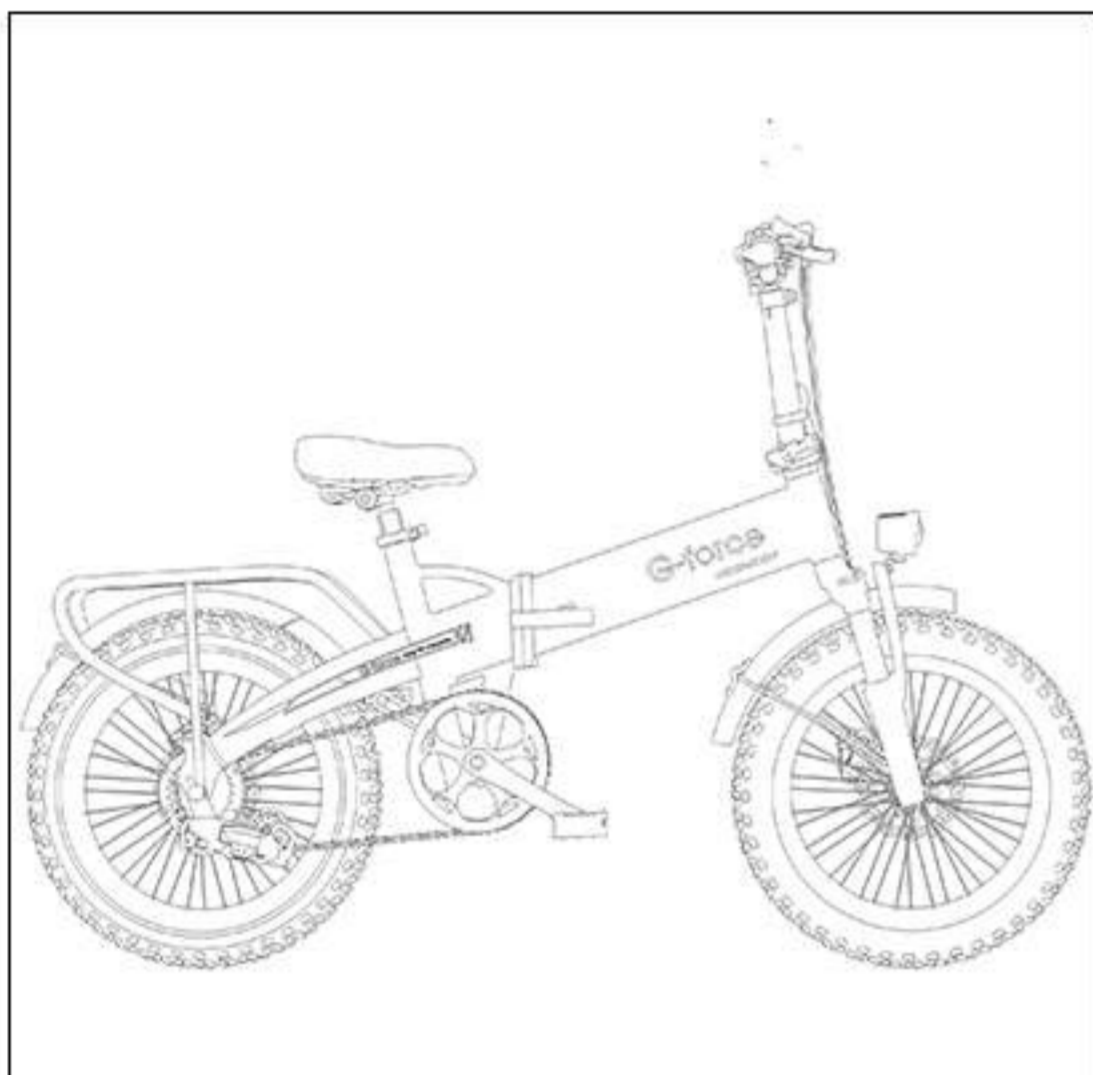
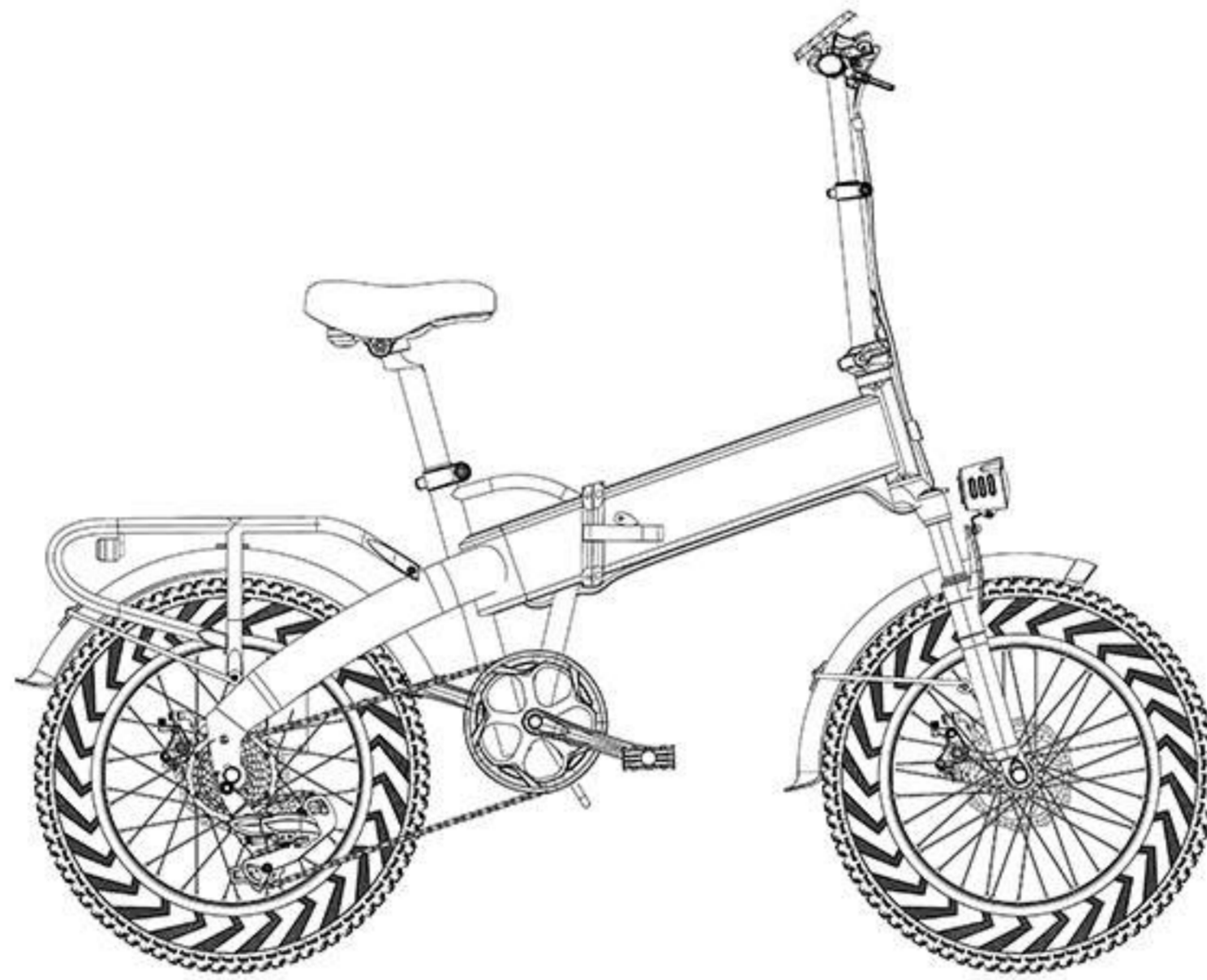


16. The Left pedal by tightening the pedal in a counterclockwise direction

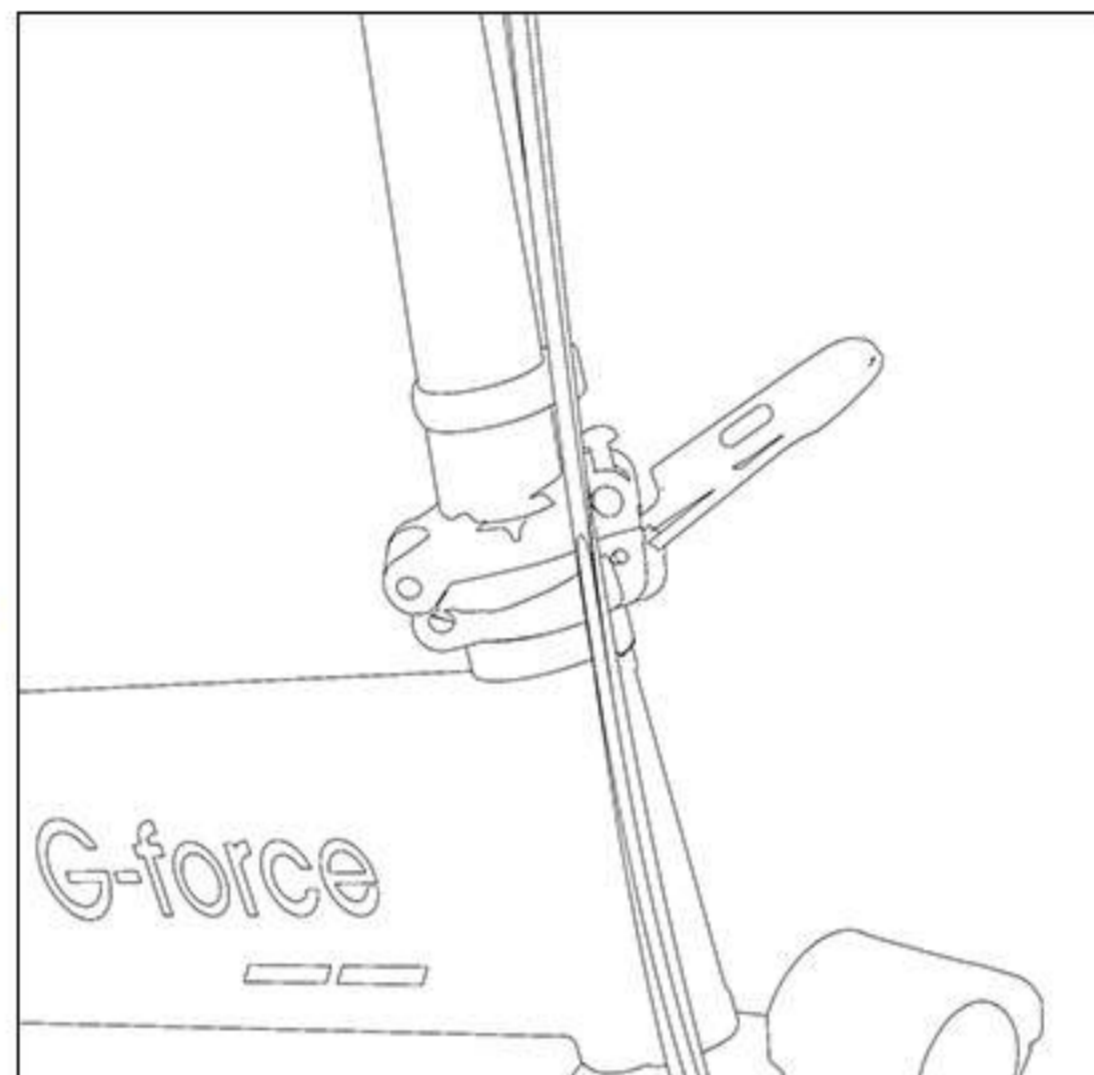


Note: The recommended tire pressure range is 20-28PSI, with a peak pressure of 30PSI. you can choose the right tire pressure based on weight, terrain, and other factors.

## HOW TO FOLD



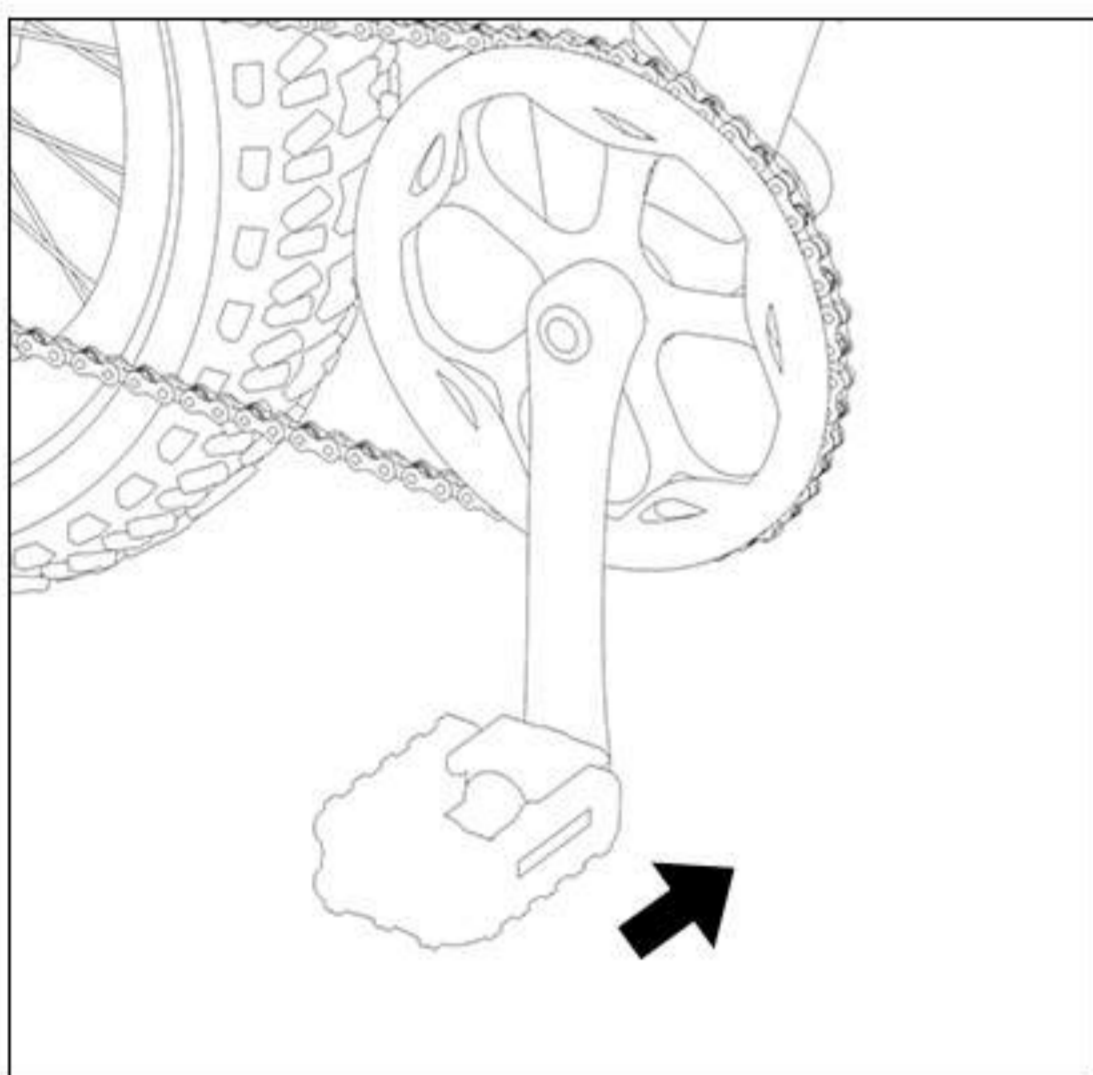
1.Lower seat and handle height



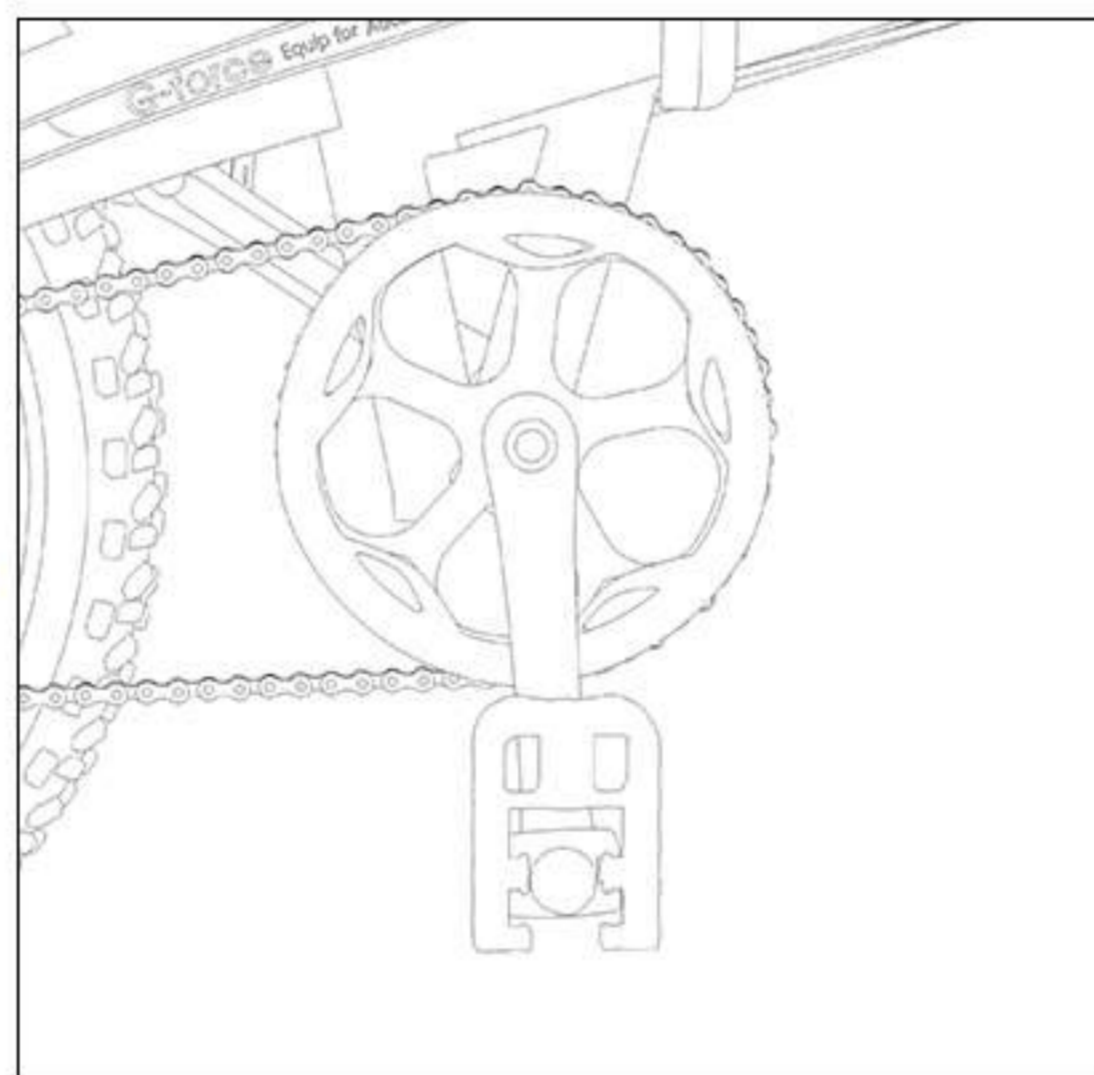
2.Open the handle fixed buckle



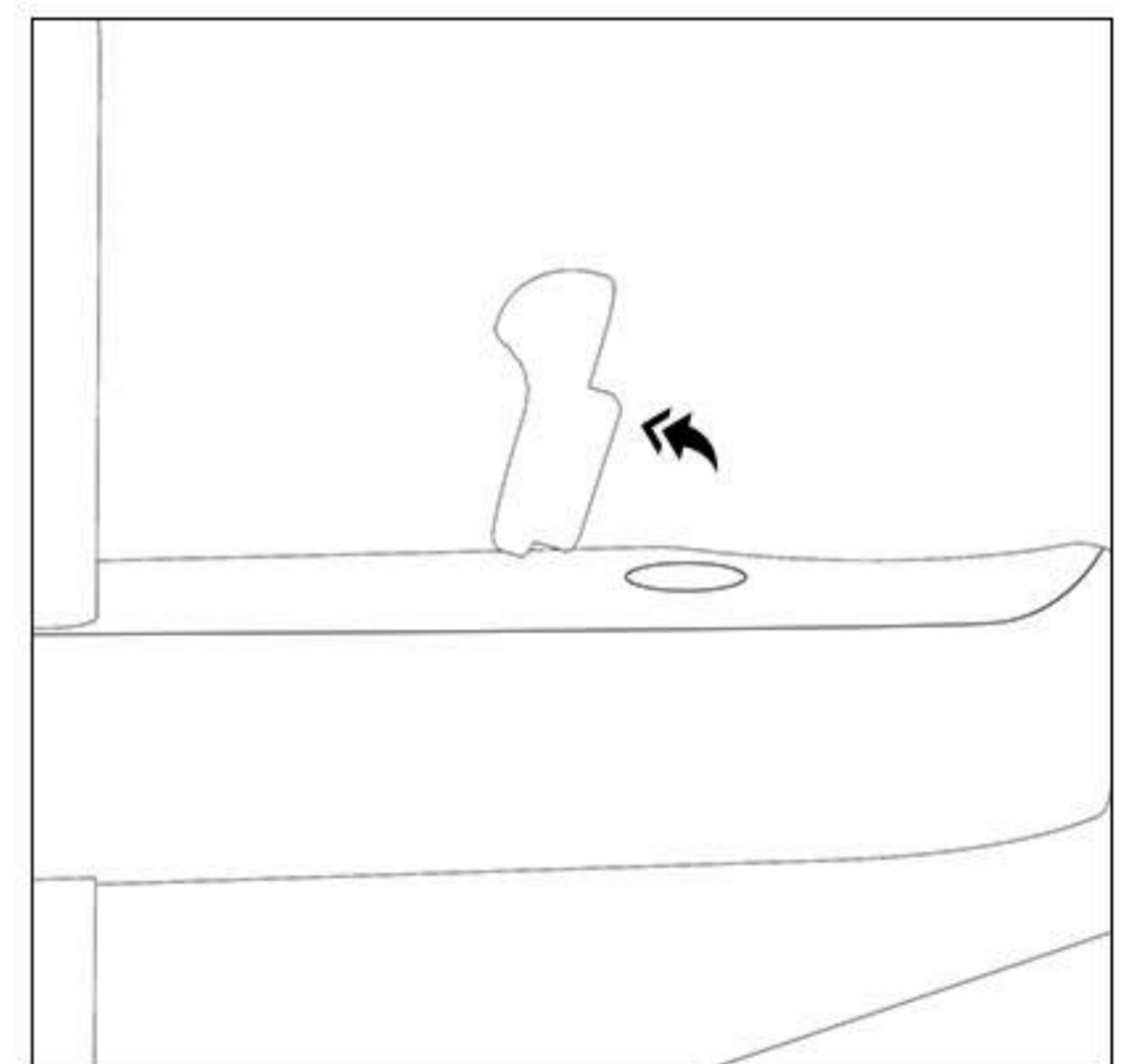
3.Fold down the handle to the front wheel position



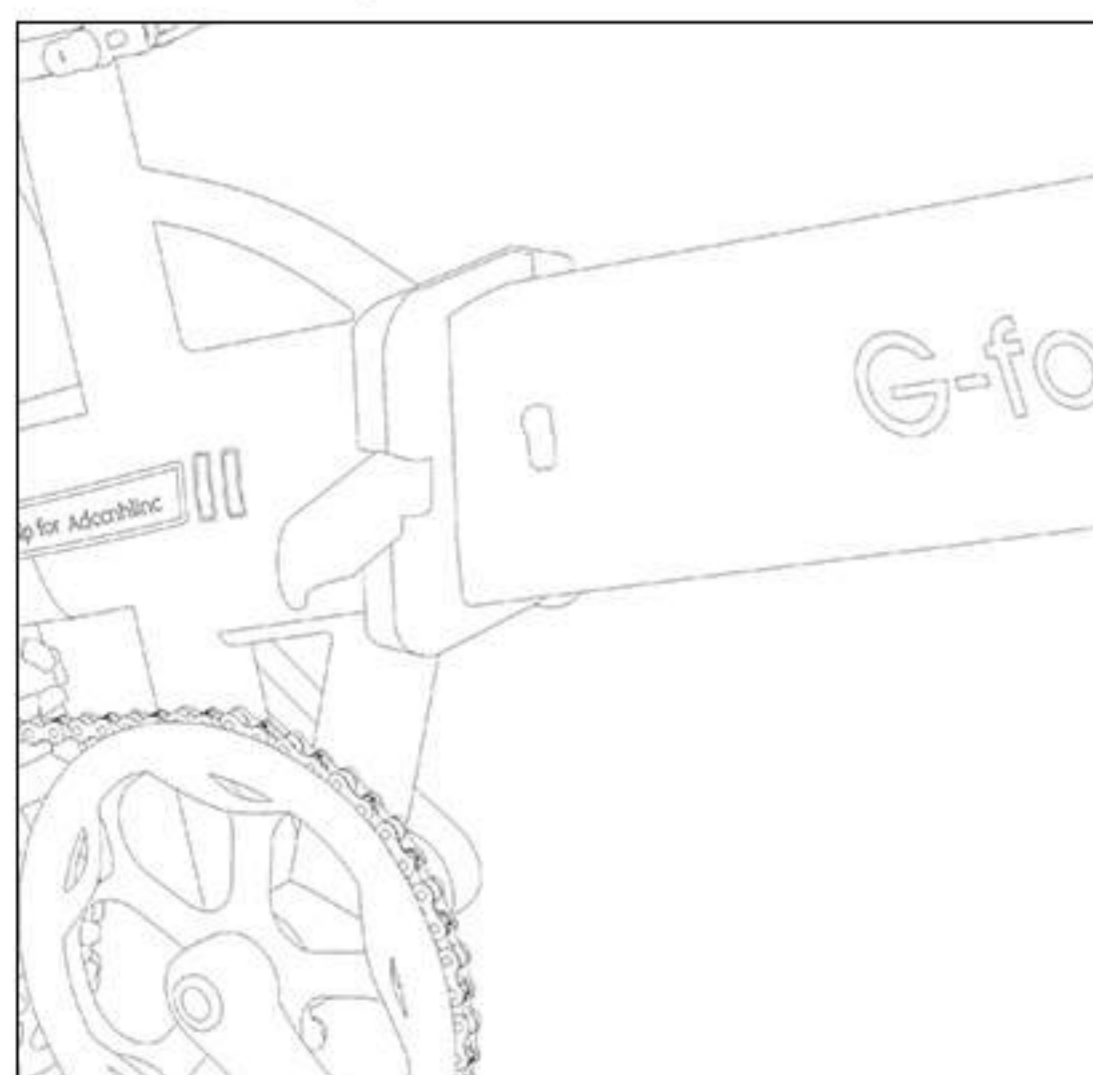
4.Squeeze the pedal pressing the foot pedal



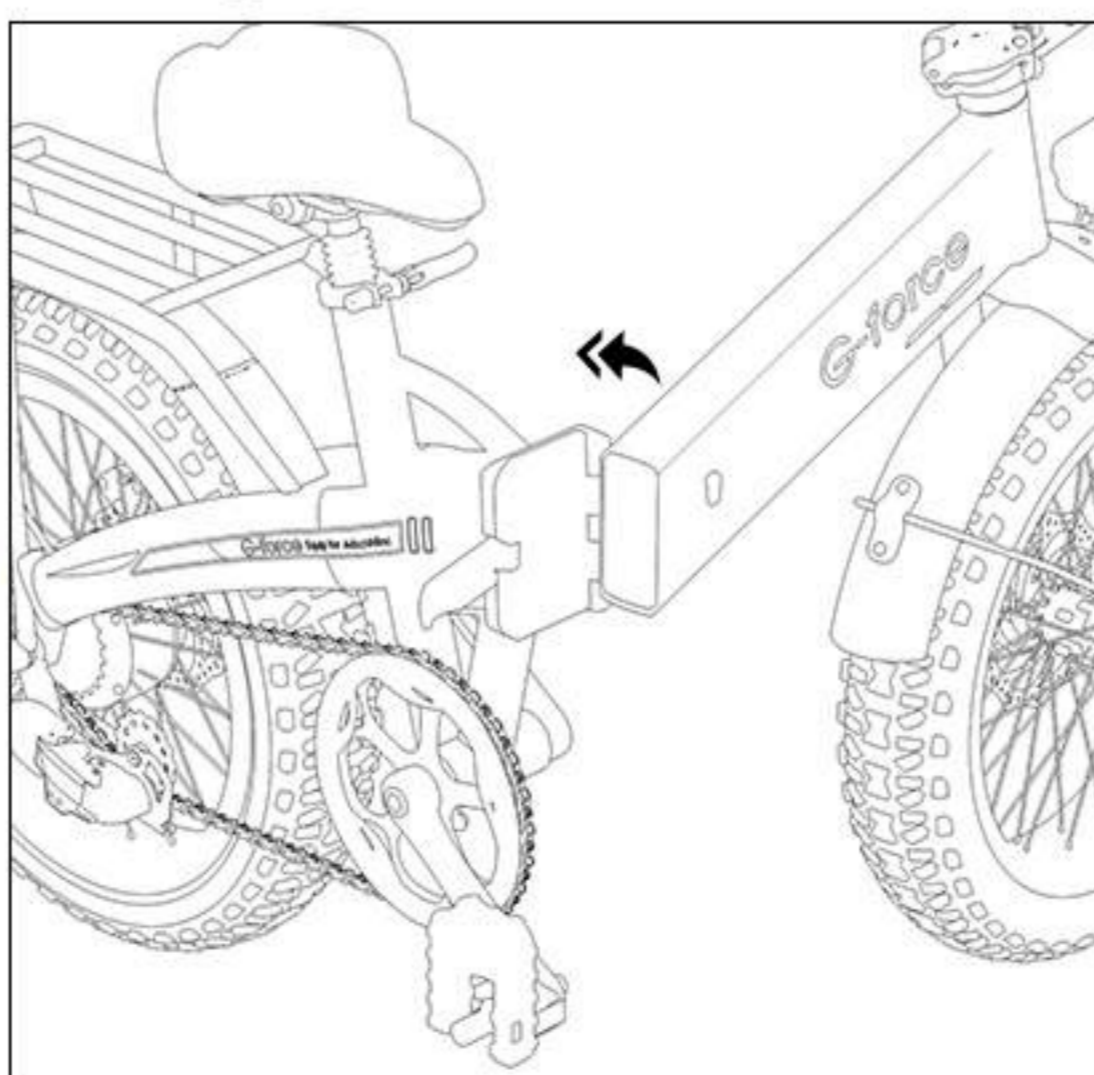
5.Lift up the pedal the frame fixing buckle



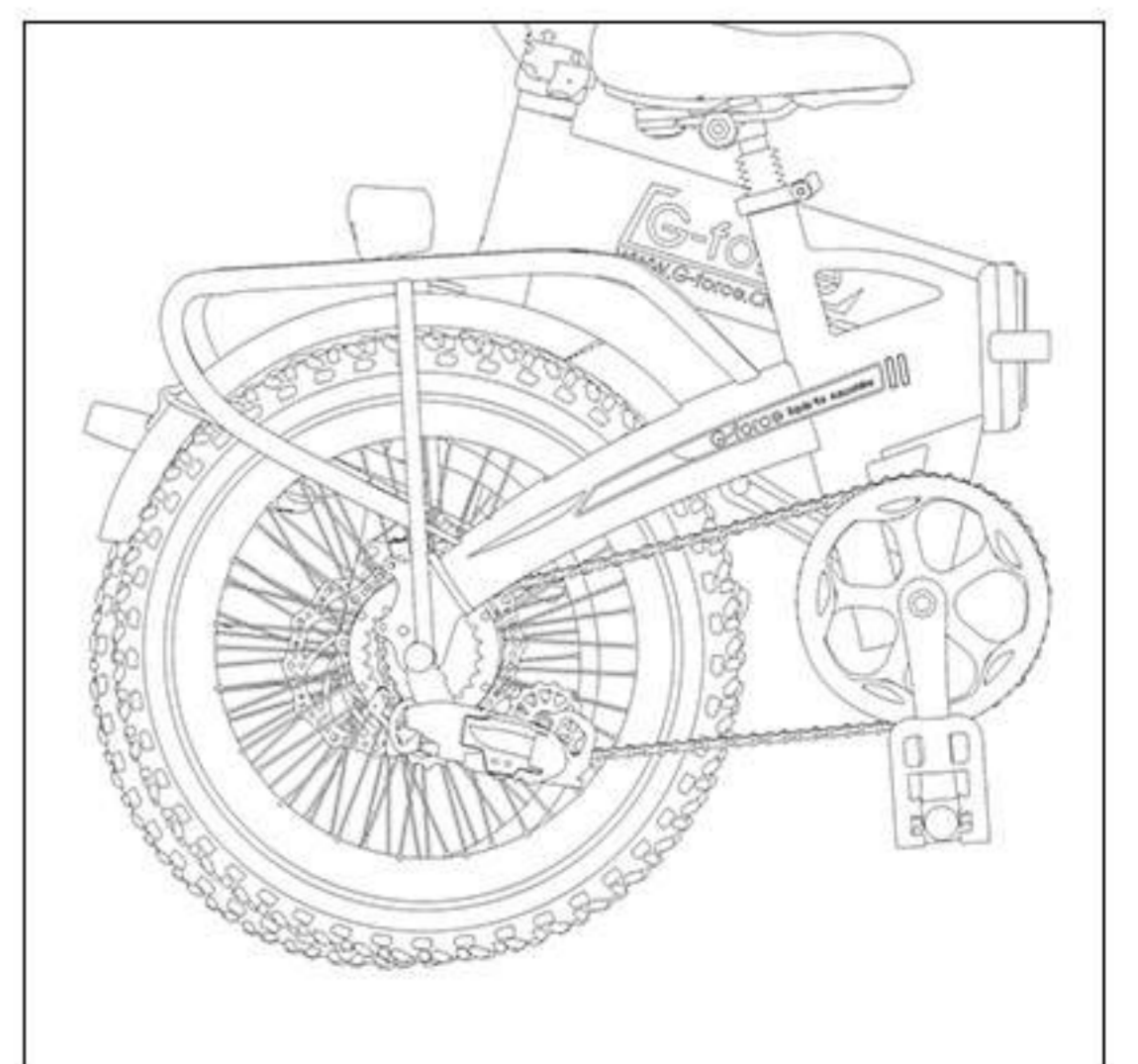
6.Open the folding handle



7.Open the folding latch the frame fixing buckle

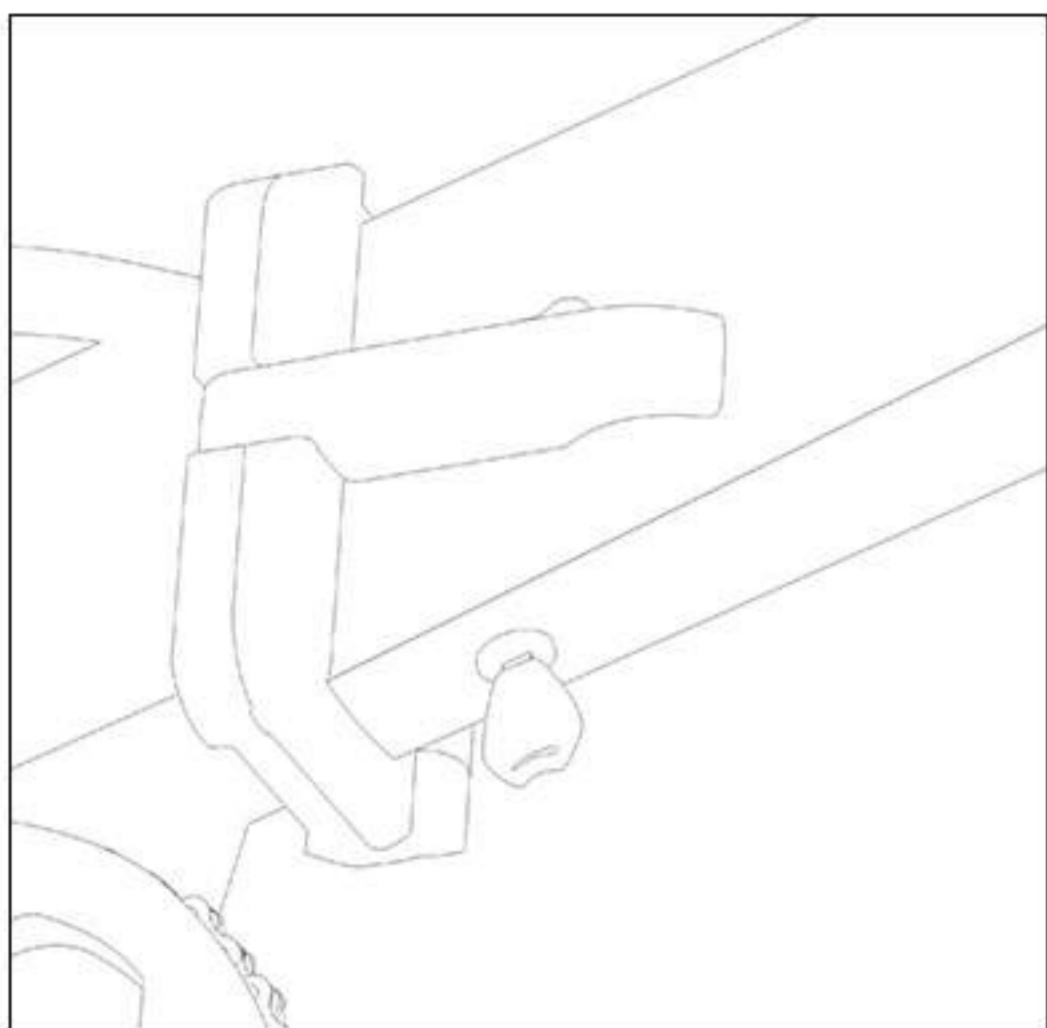


8.Fold the front half back and fold the frame

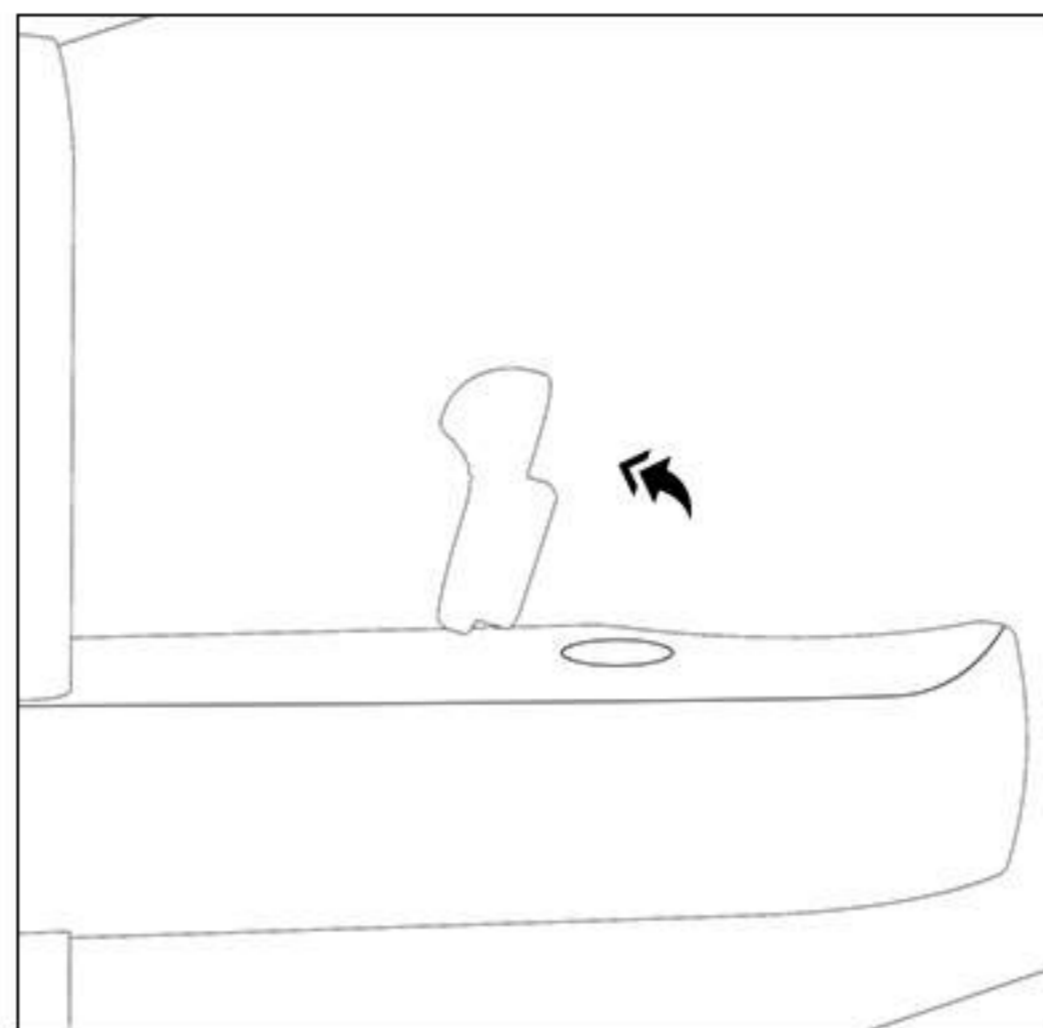


9.Folded over

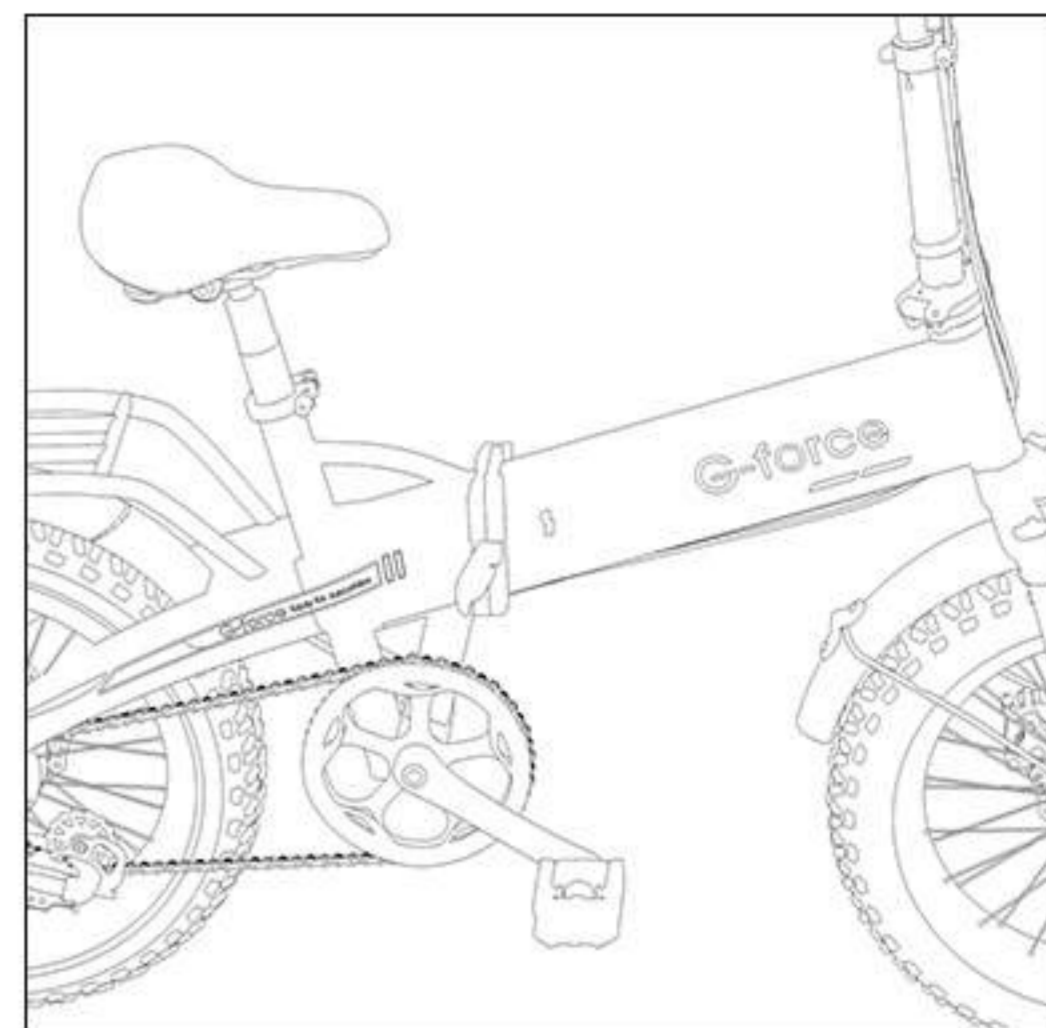
## REMOVE THE BATTERY



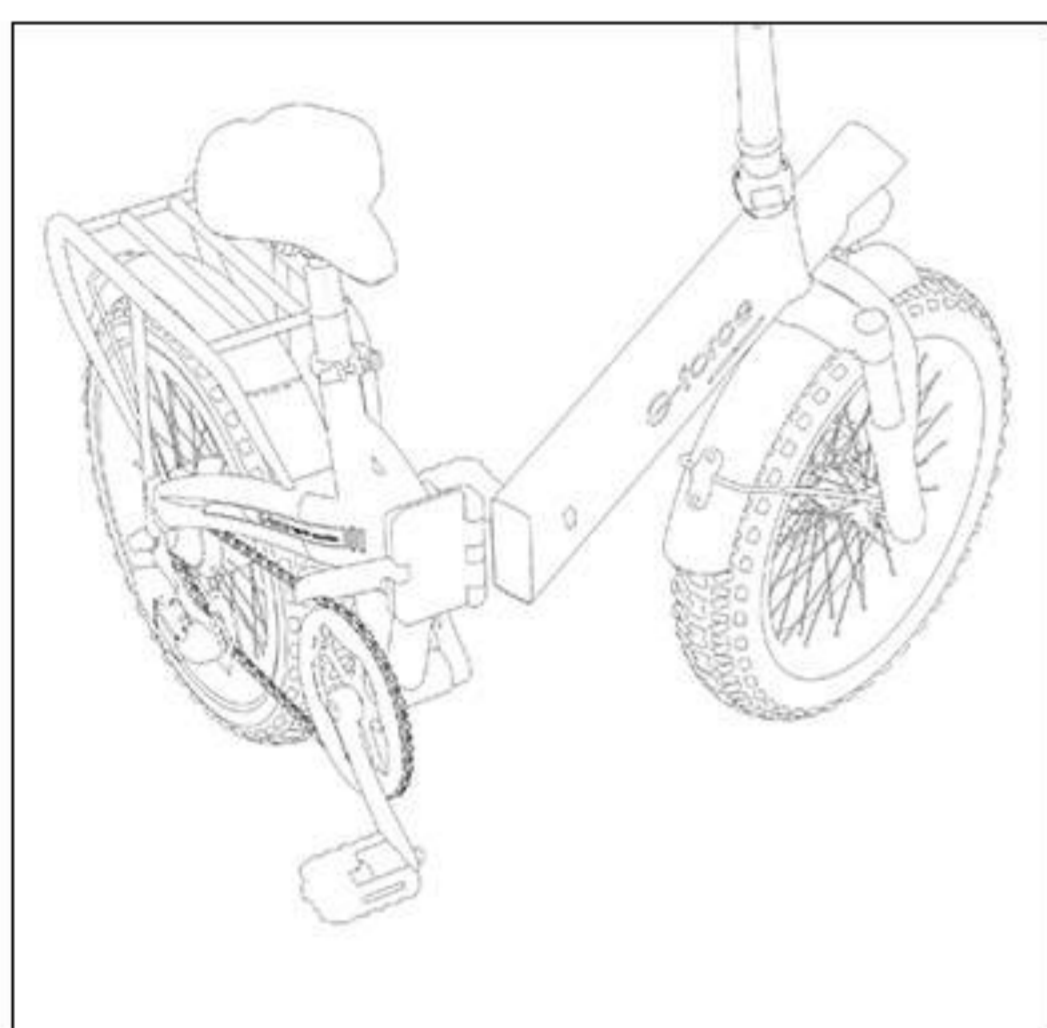
1. Insert the key into the keyhole on the underside of the frame.



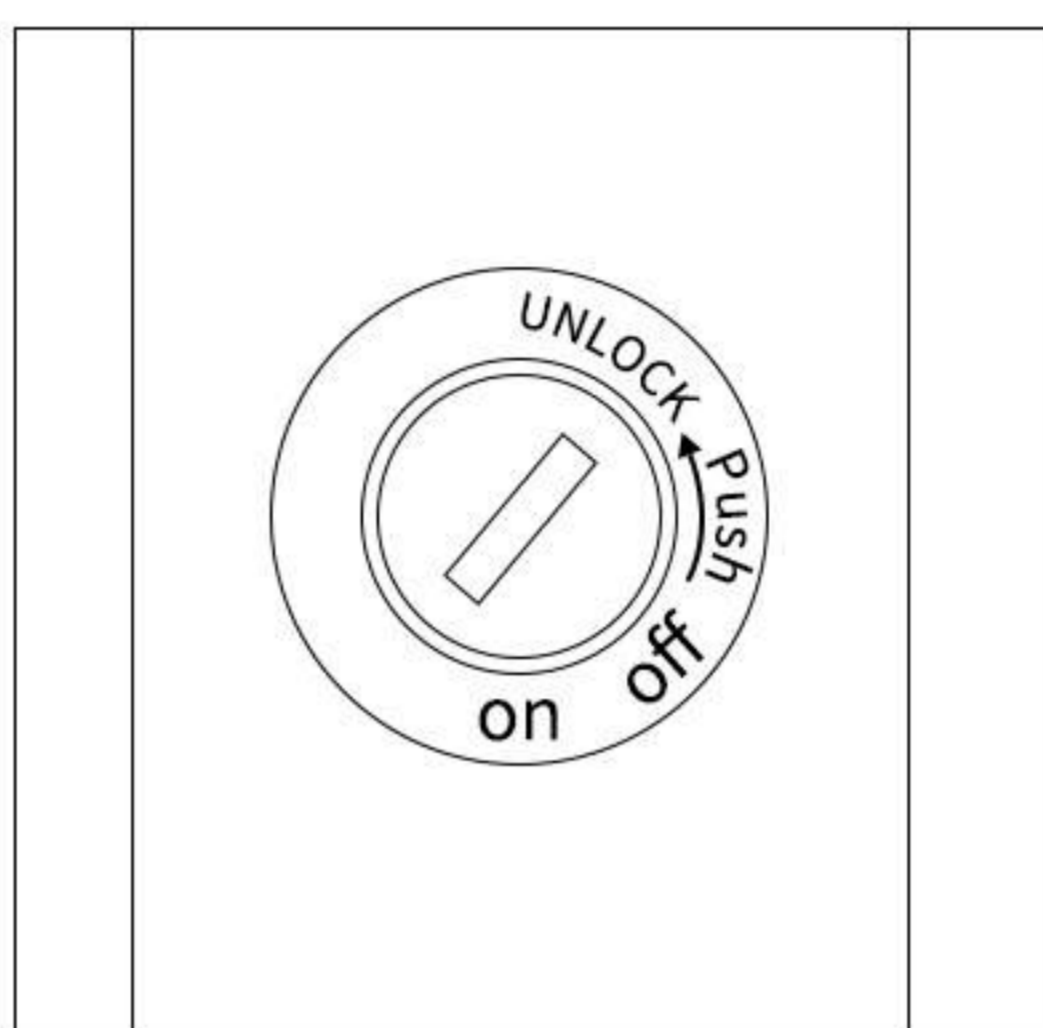
2. Open the folding handle



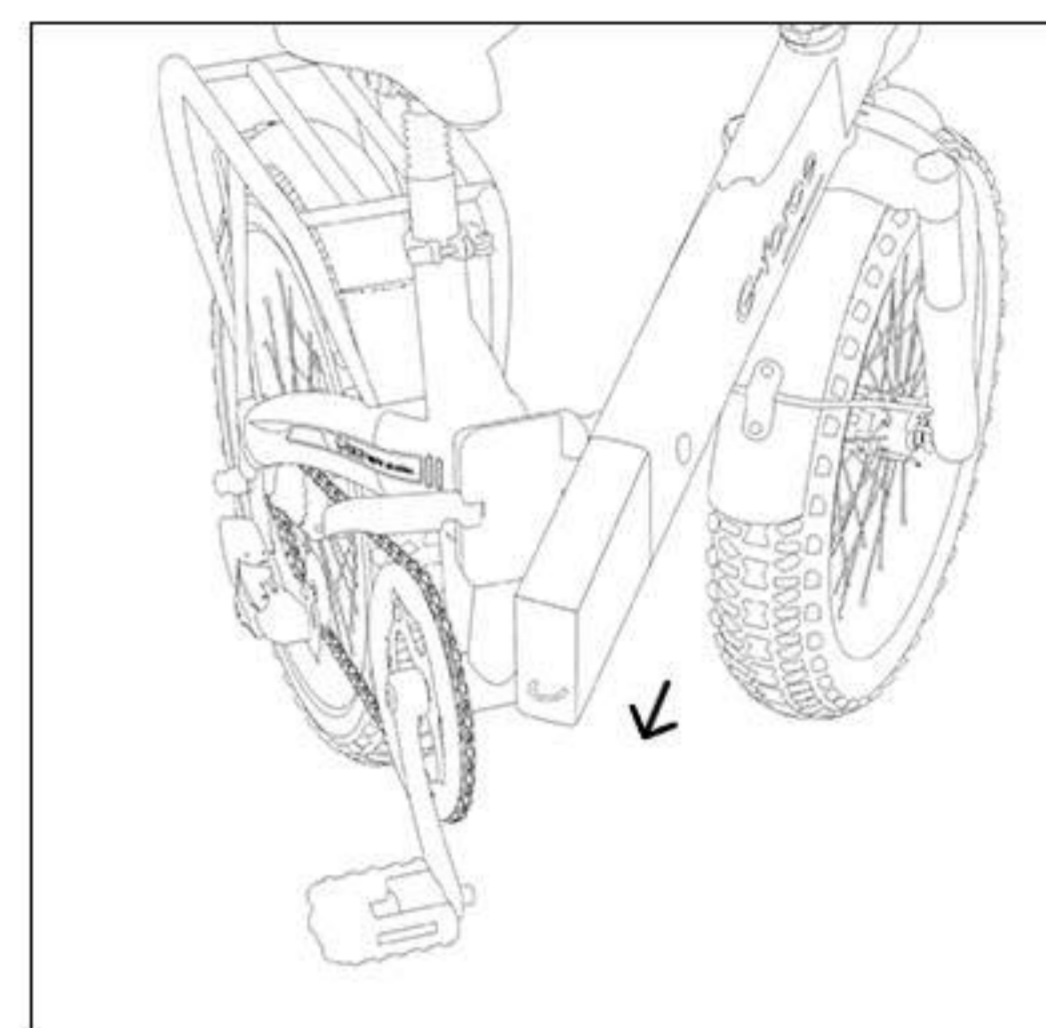
3. Folding frame.



4. Folding frame.

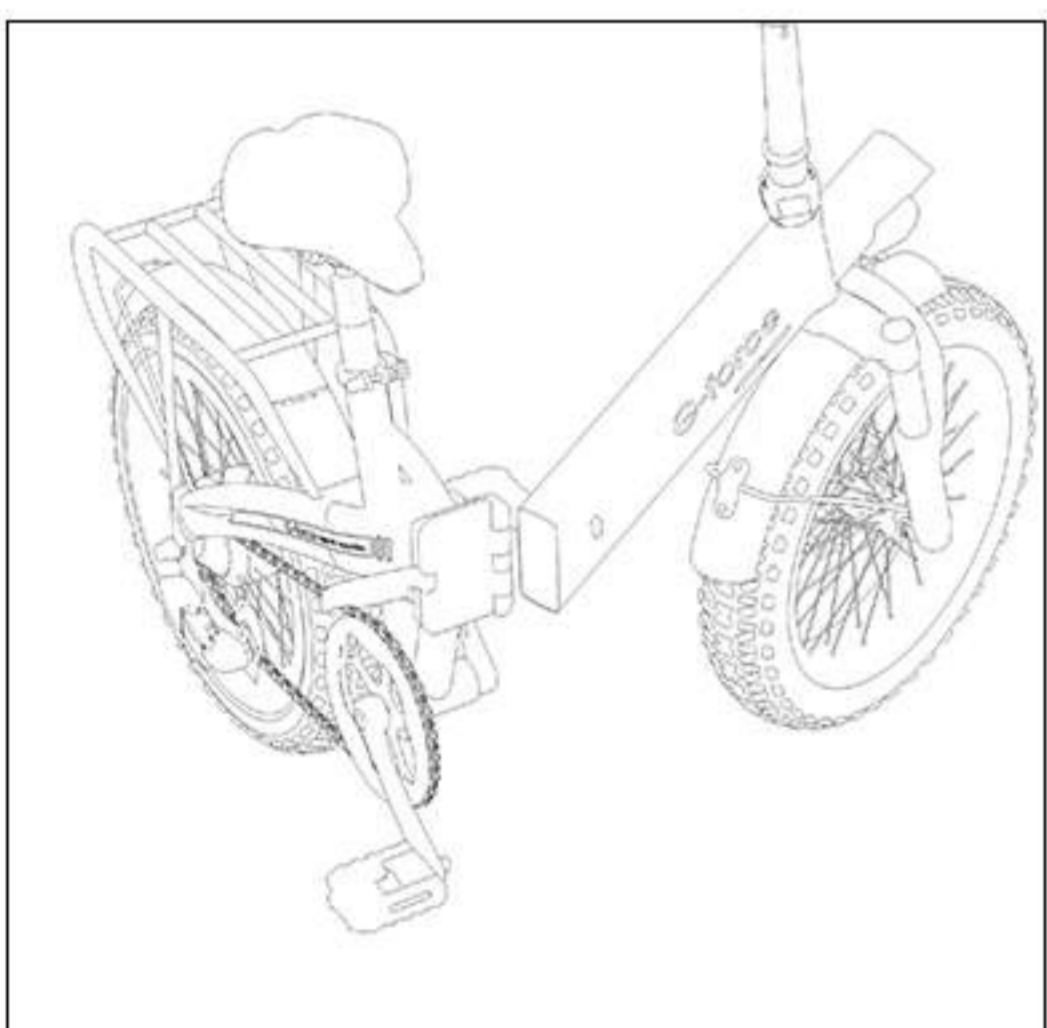


5. Press the key until it is recessed while twisting it to the left.

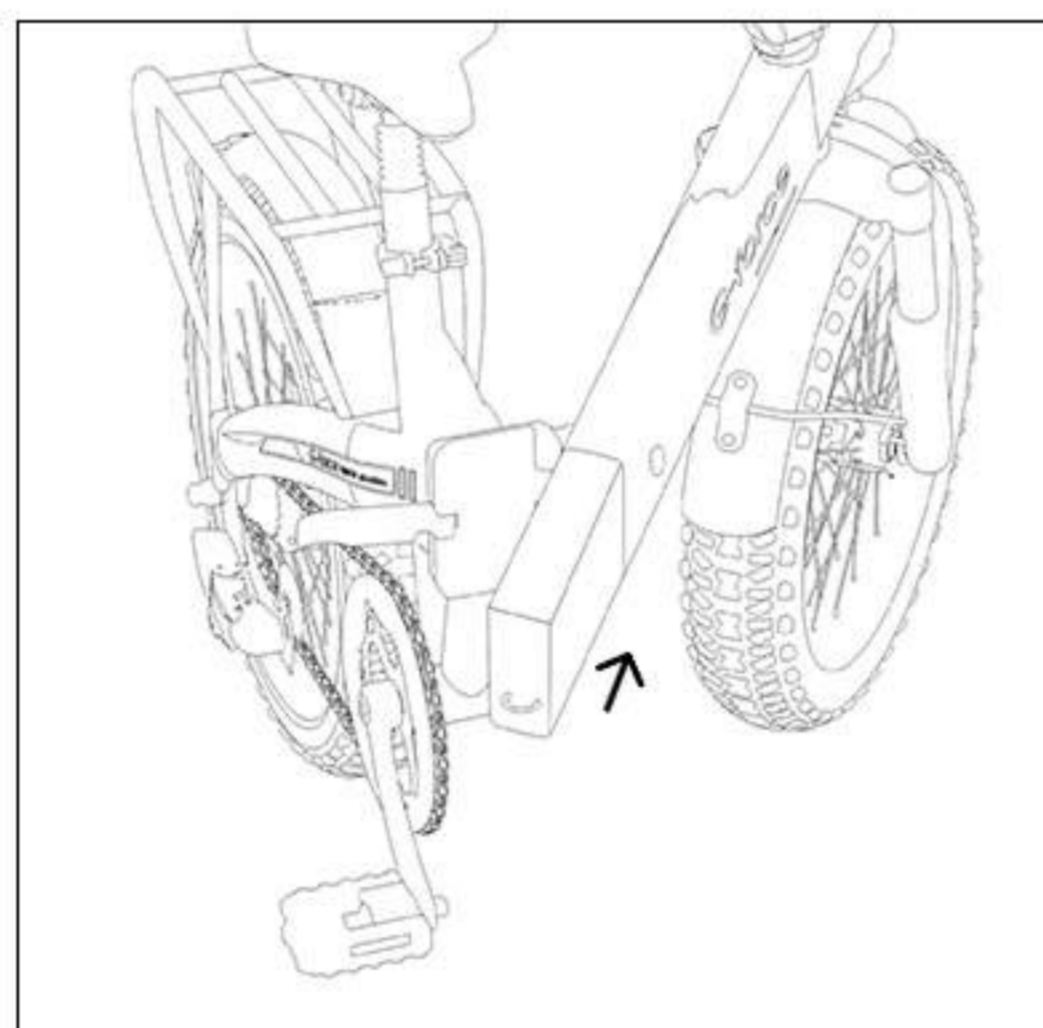


6. Snap out the pull ring and raise the battery.

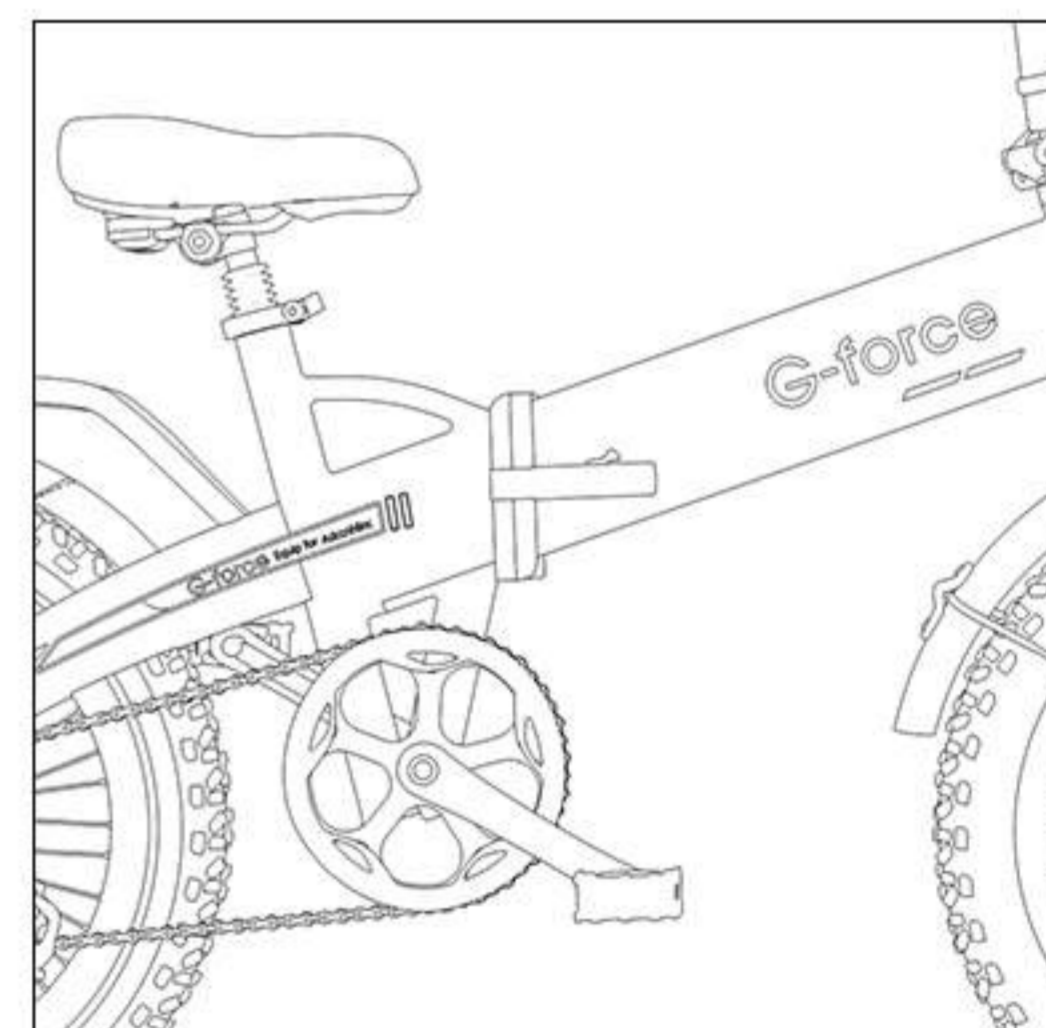
## INSTALLED BATTERIES



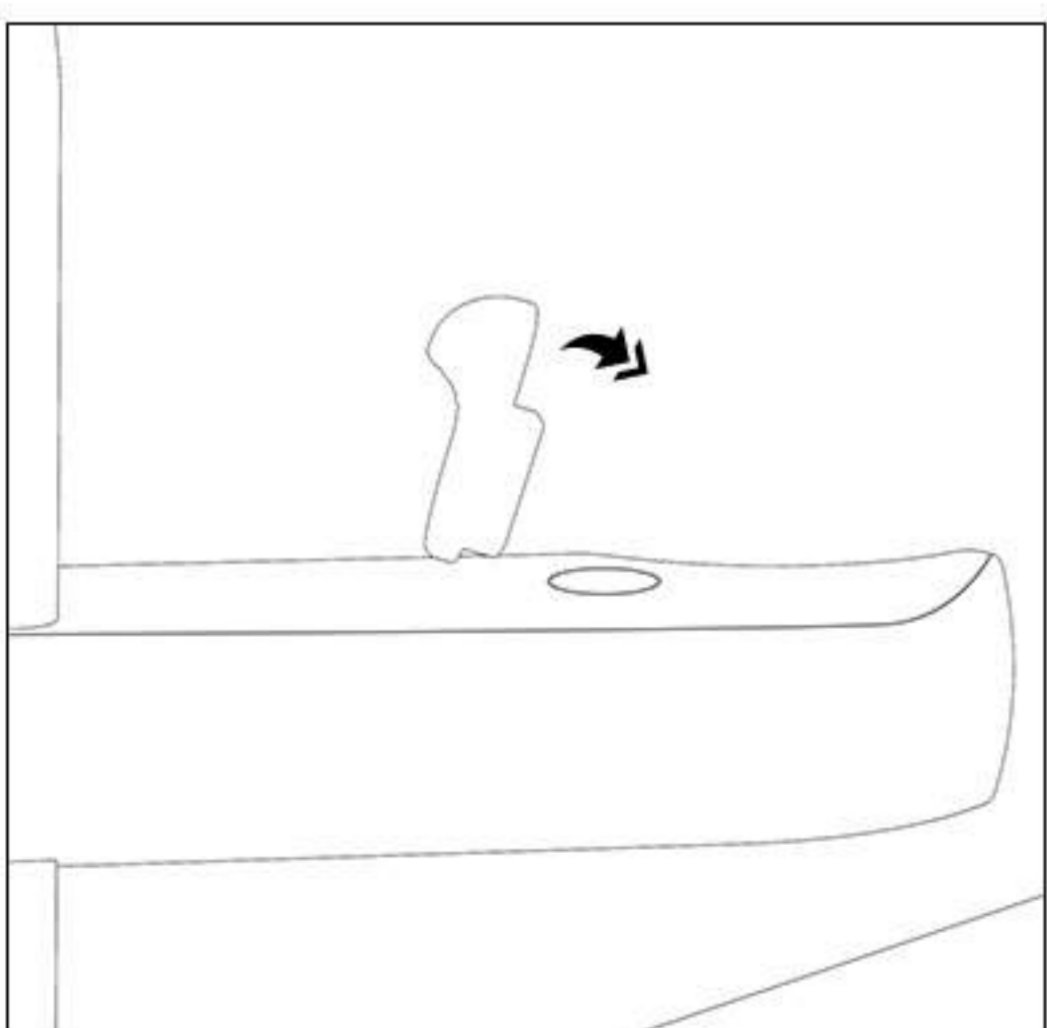
1. Folding frame



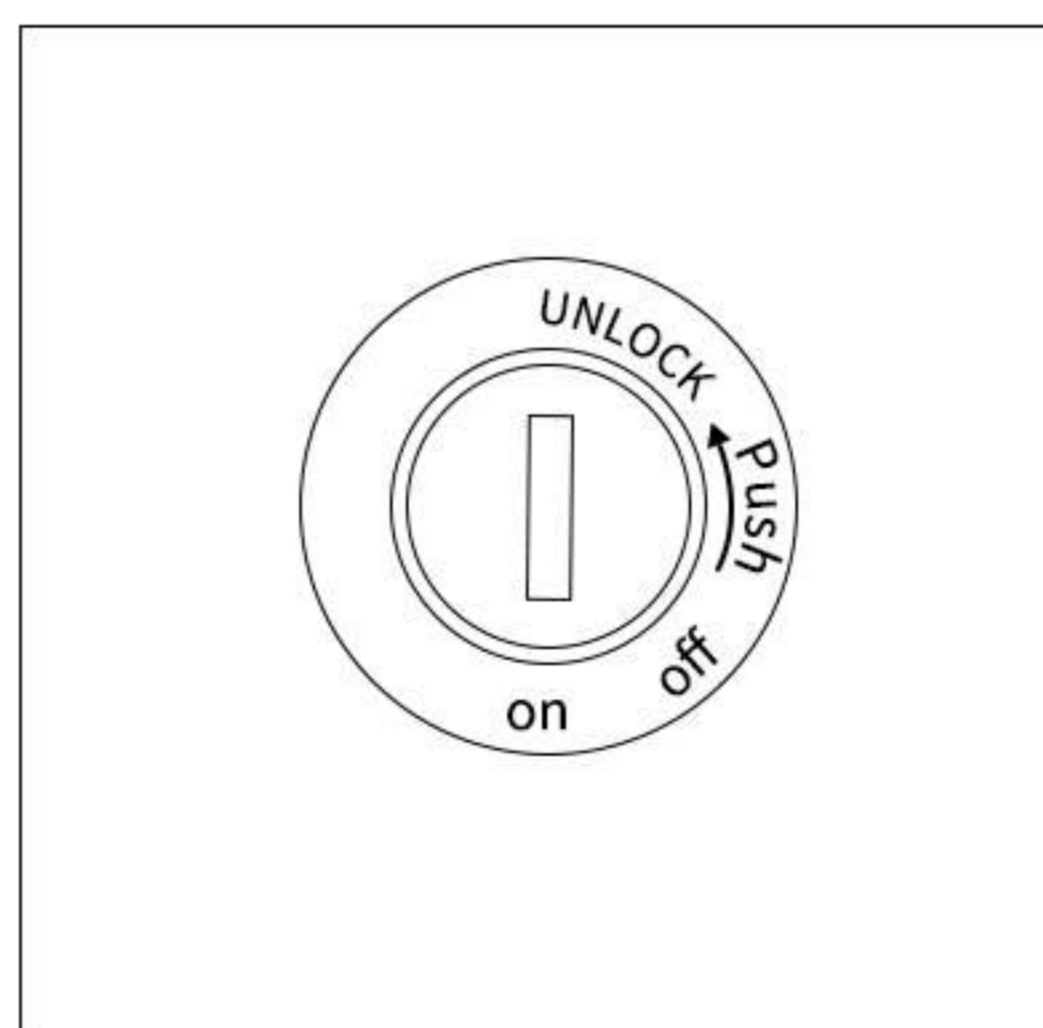
2. Keyhole aligned with the ground loaded with batteries



3. Install the frame and fasten the fixed buckle

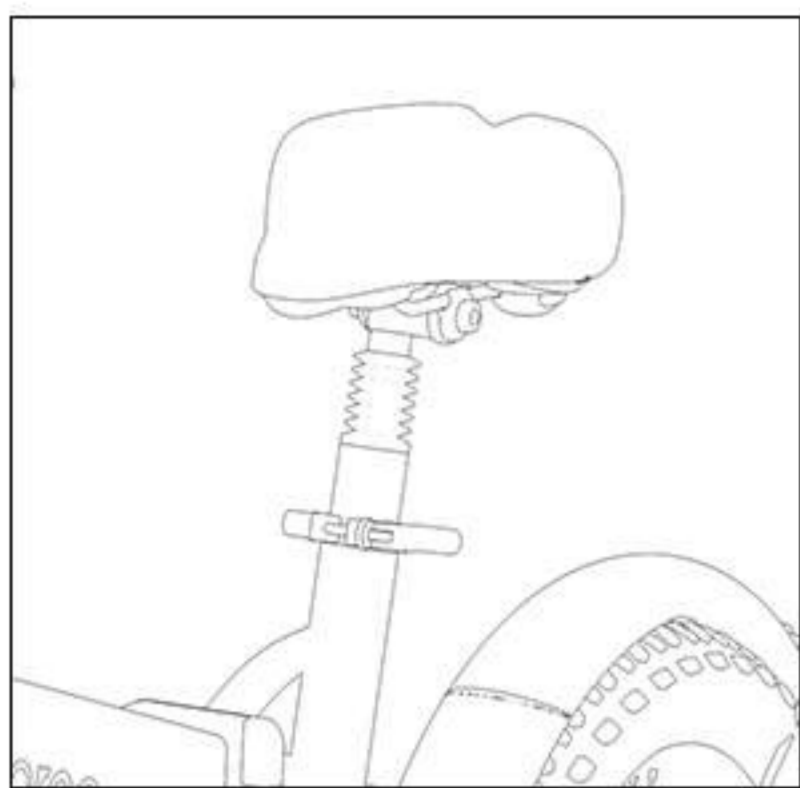


4. Lock the folding handle

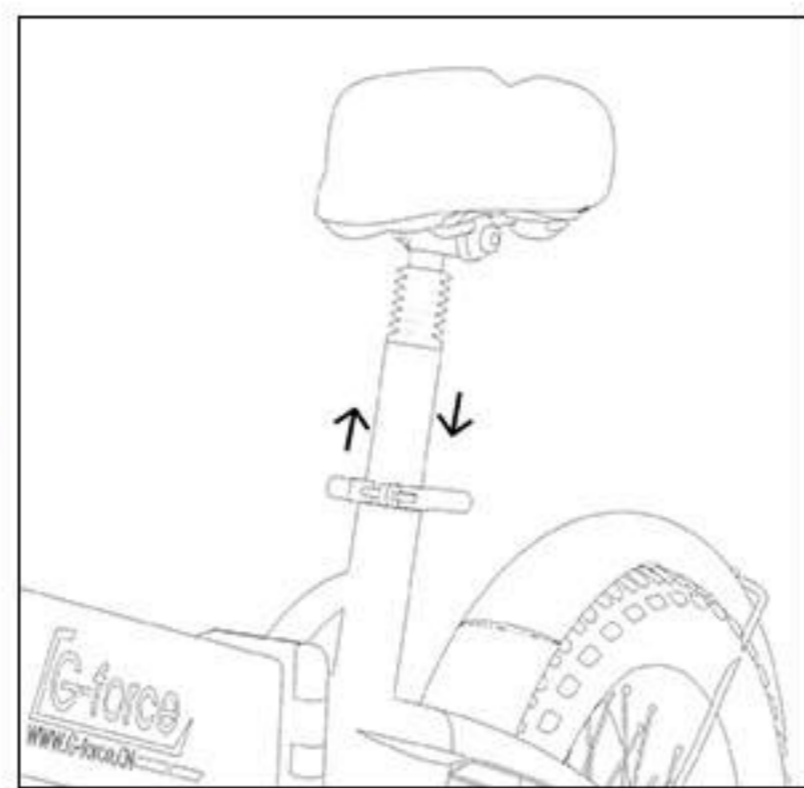


5. Insert the key into the keyhole and twist it to the right to lock the battery.

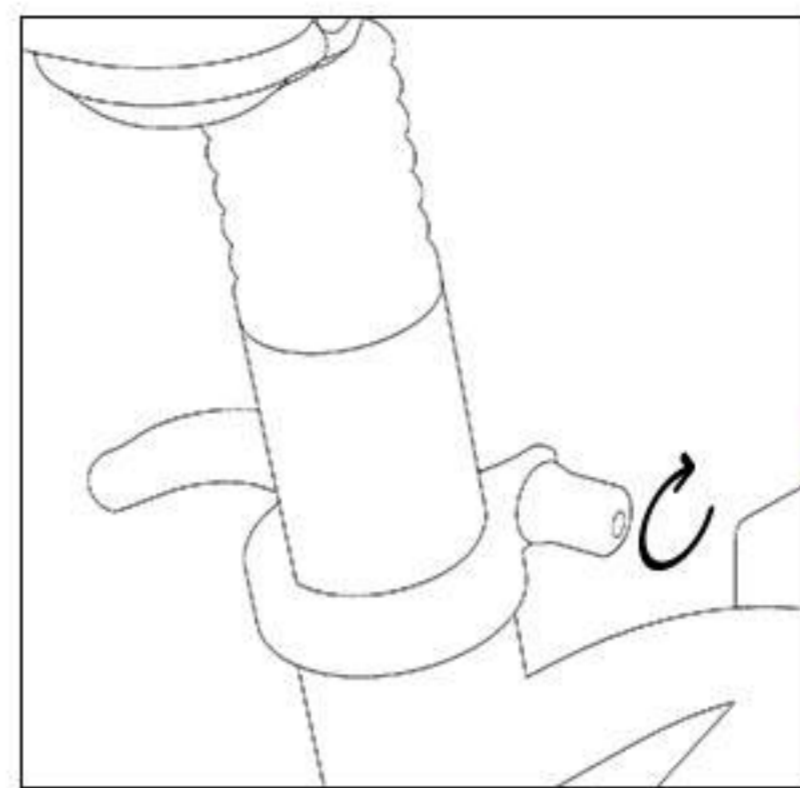
## HOW TO ADJUST THE SEAT HEIGHT



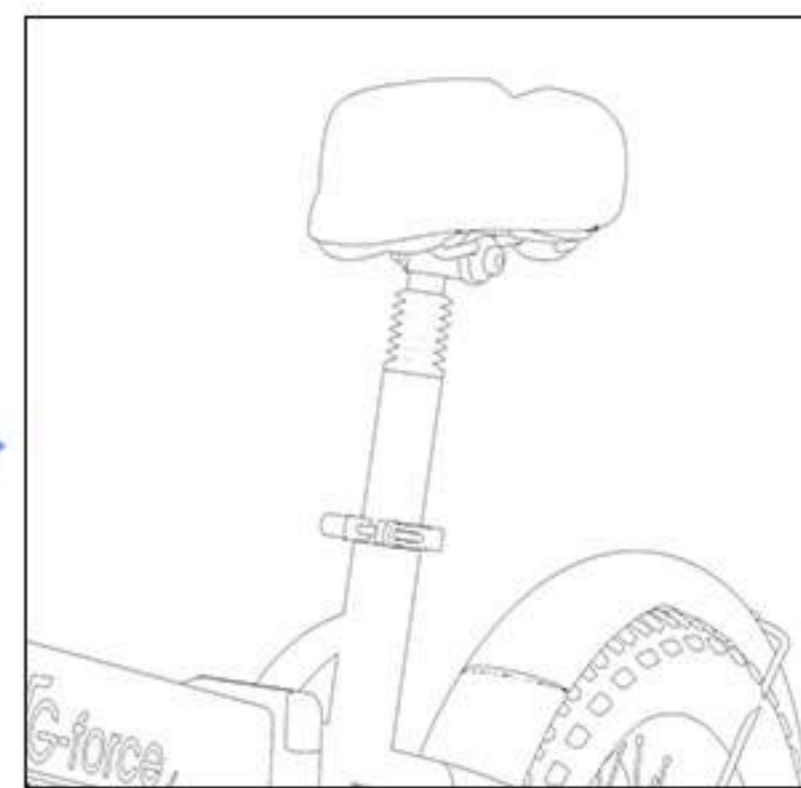
1. Open the seat below the fixed buckle



2. Adjust the height up or down as needed

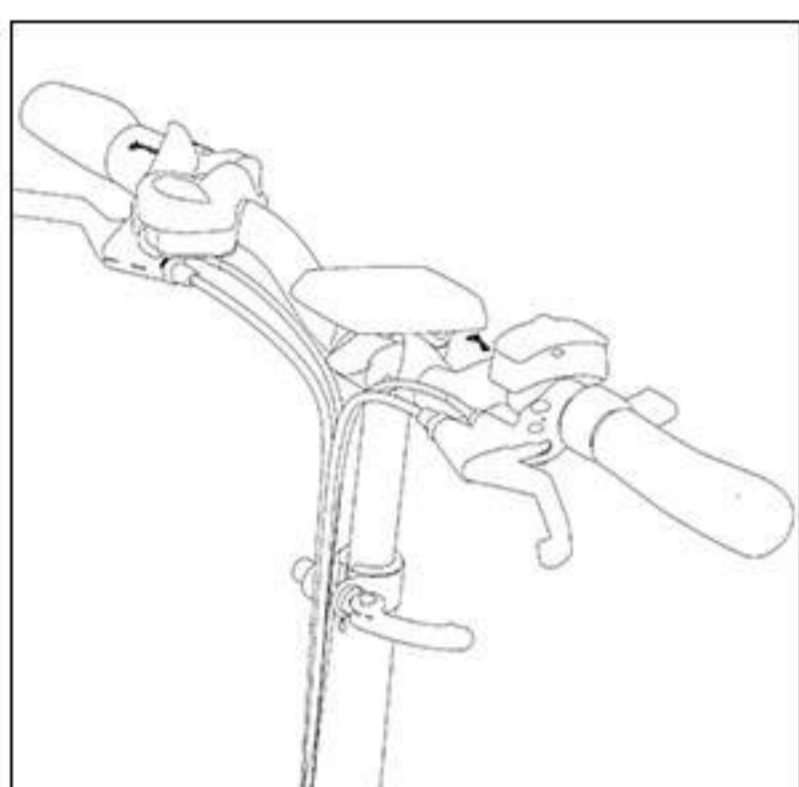


3. Properly tighten the seatpost clamp to prevent the seatpost from slipping.

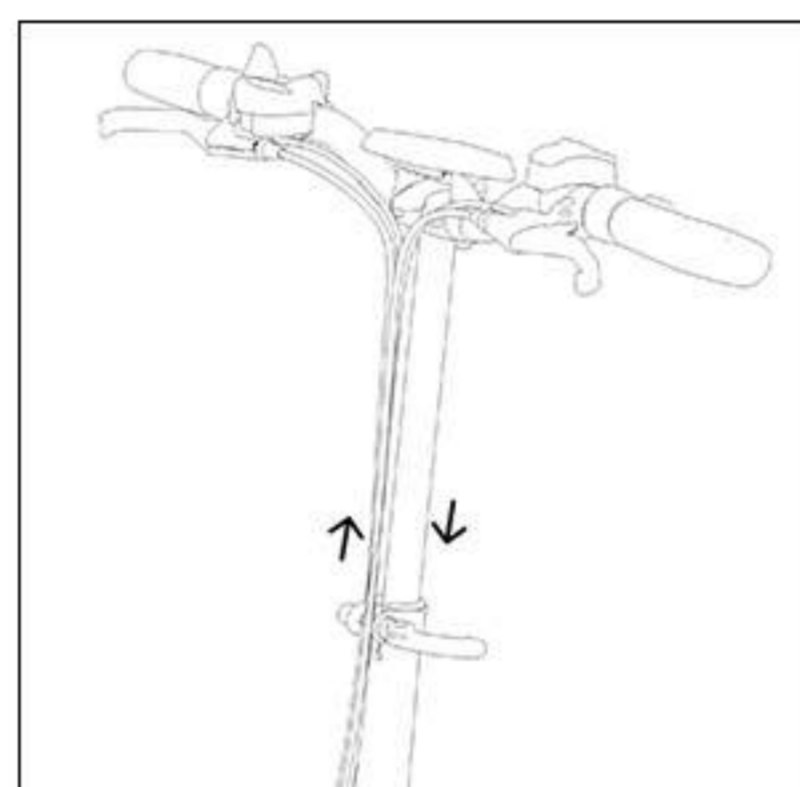


4. Fasten the fixed buckle

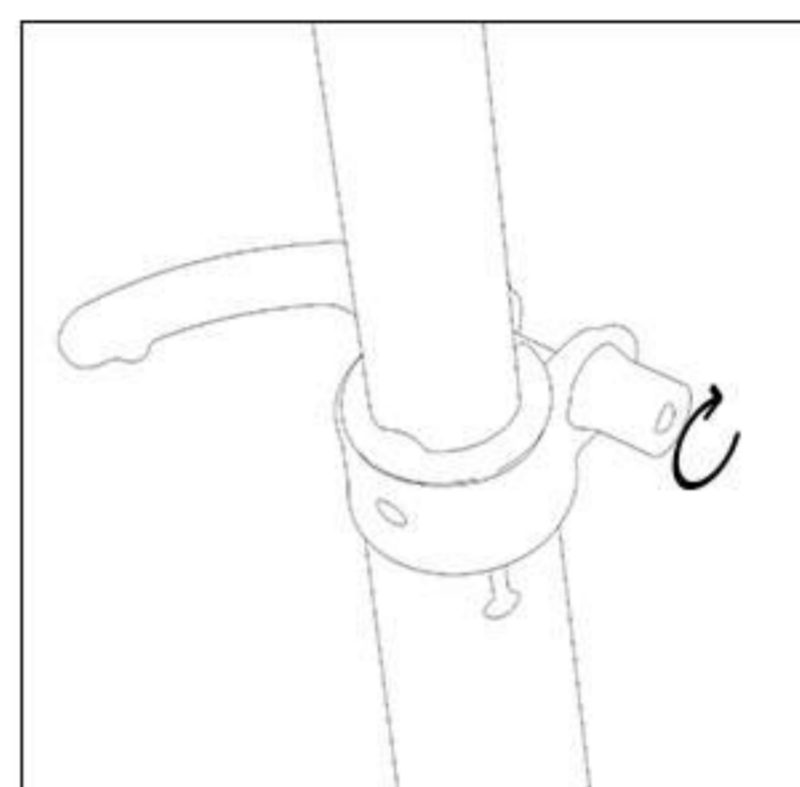
## HOW TO ADJUST THE HEIGHT OF THE HANDLEBAR



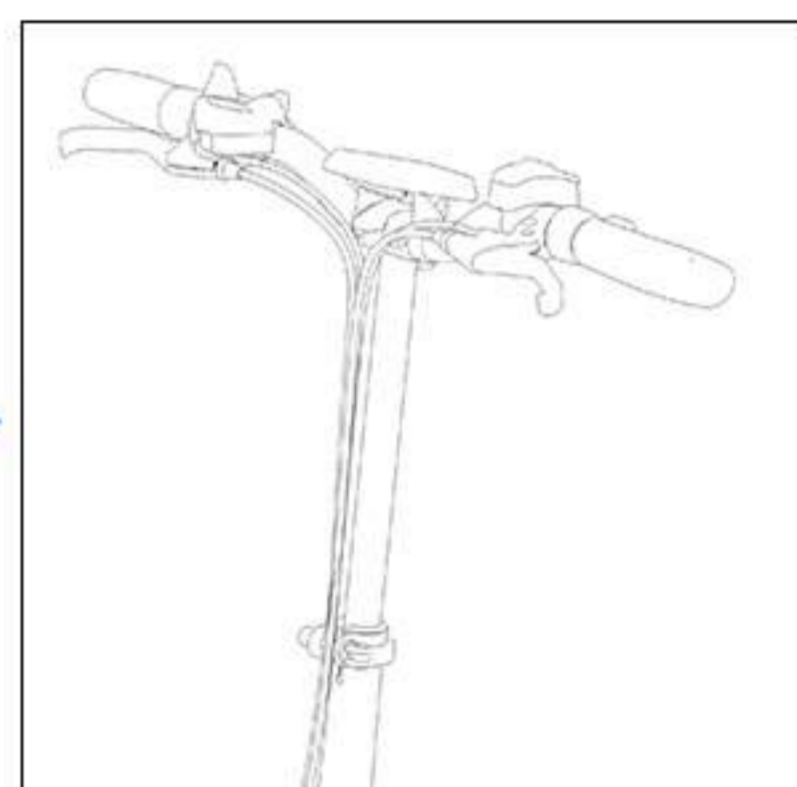
1. Open the handle below the fixed buckle



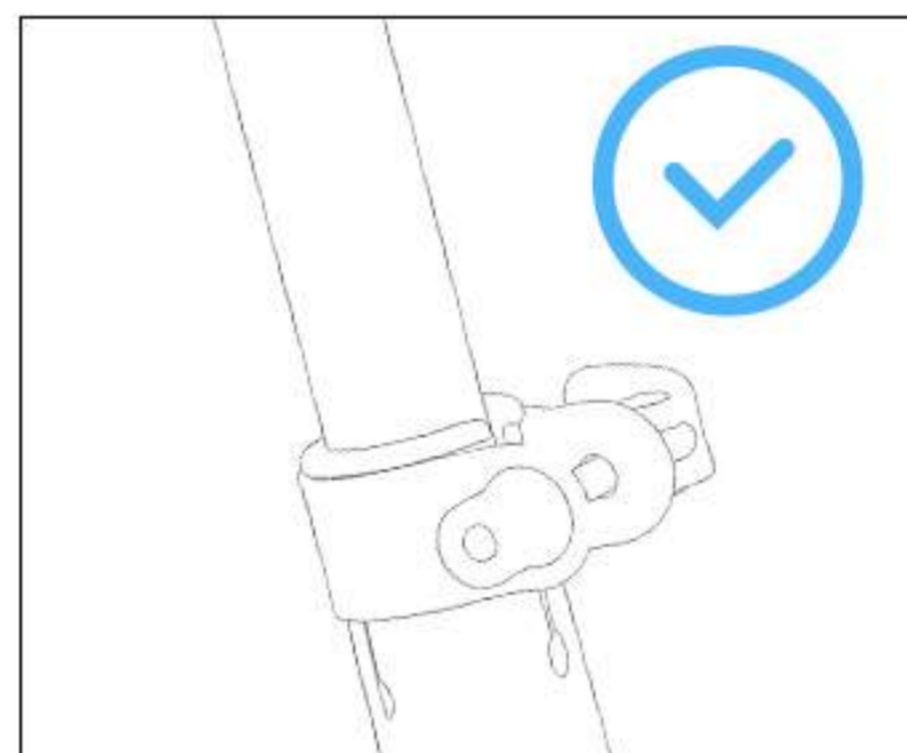
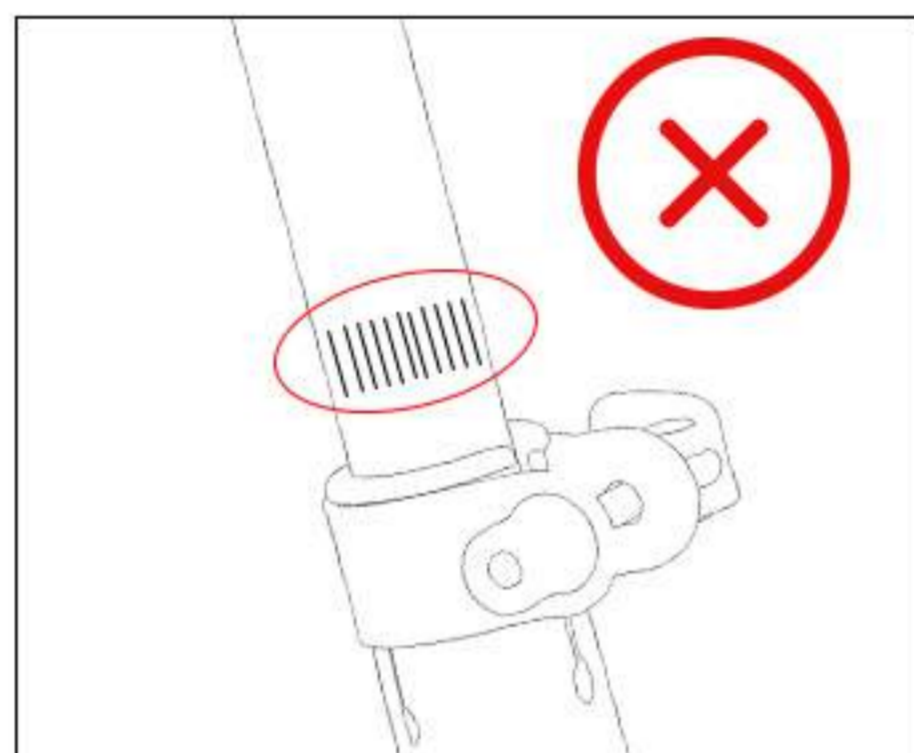
2. Adjust the height up or down as needed



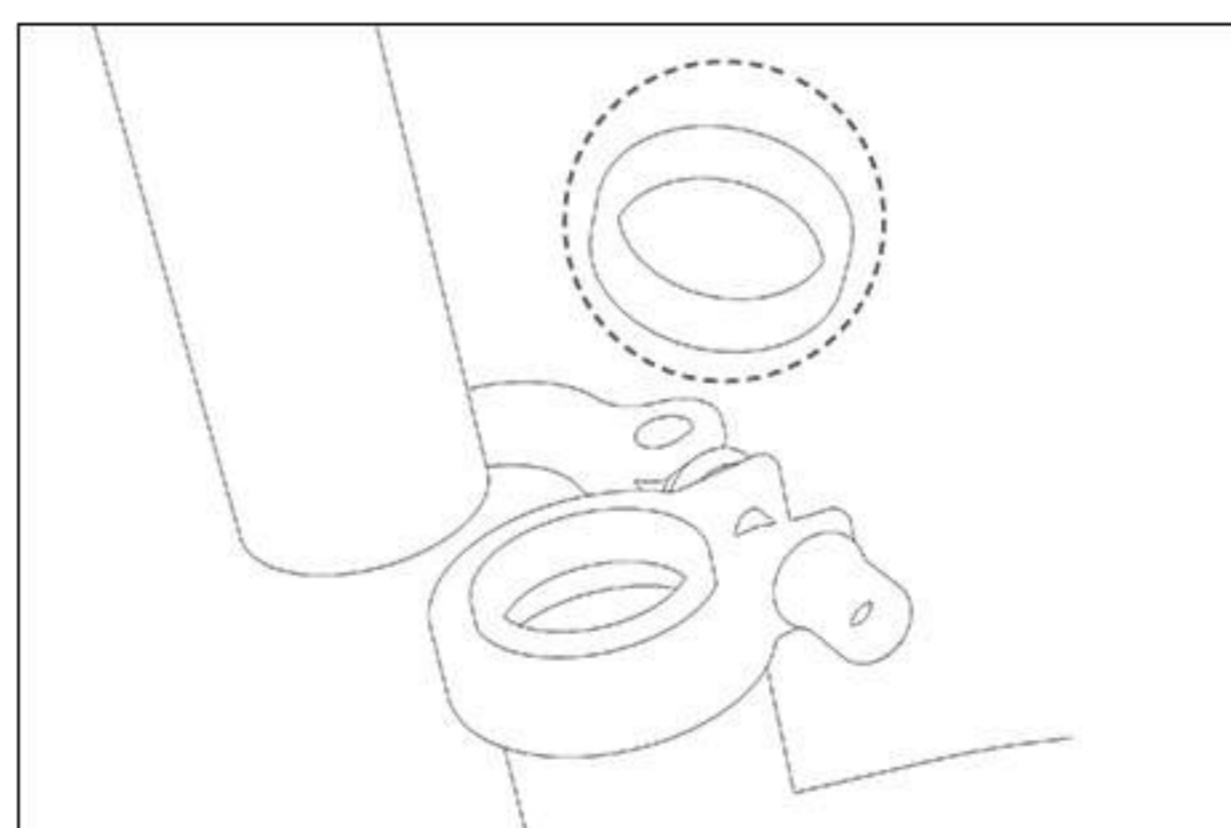
3. Properly tighten the handlebar stem clamp to prevent the handlebar stem from slipping.



4. Fasten the fixed buckle



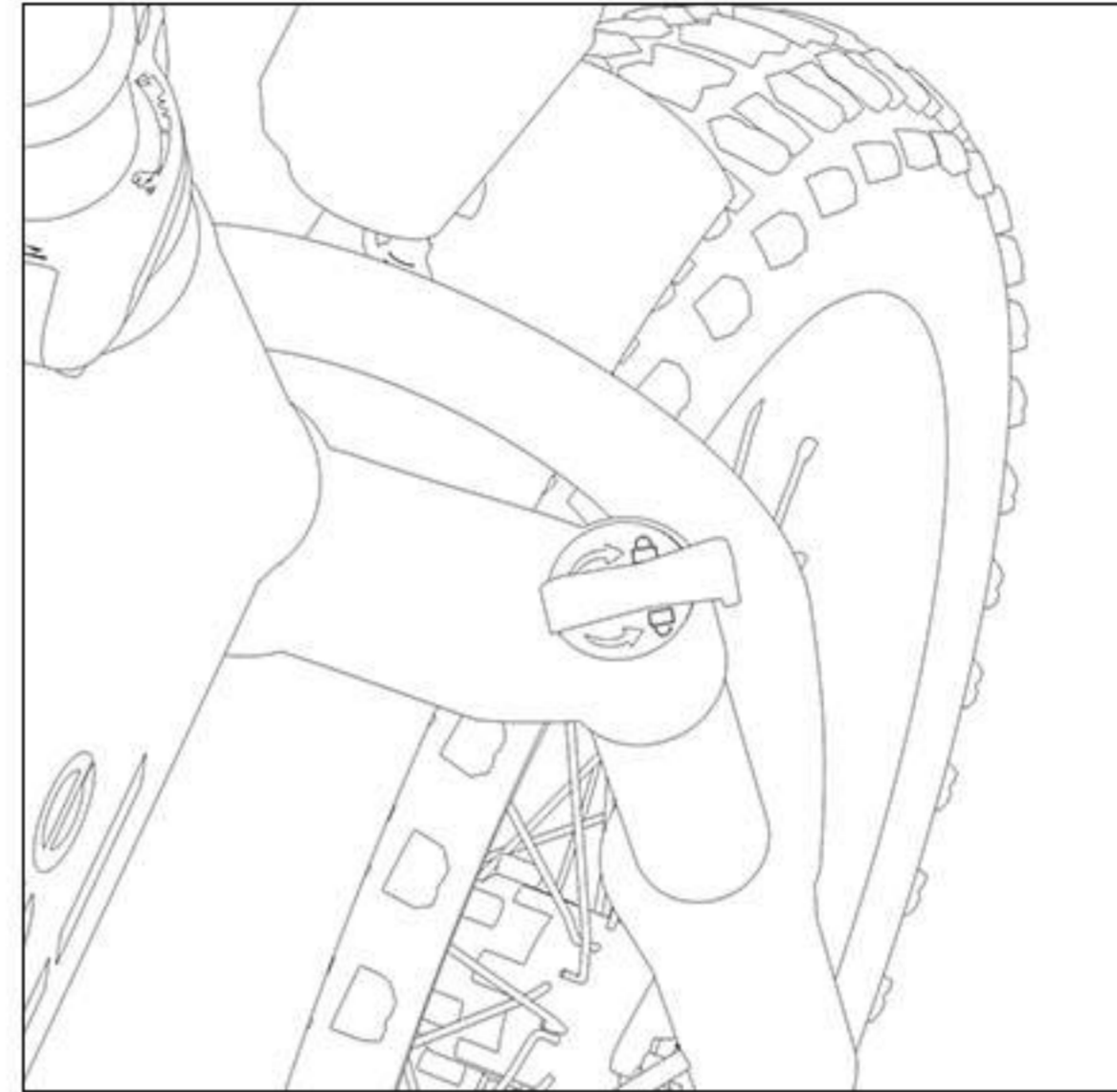
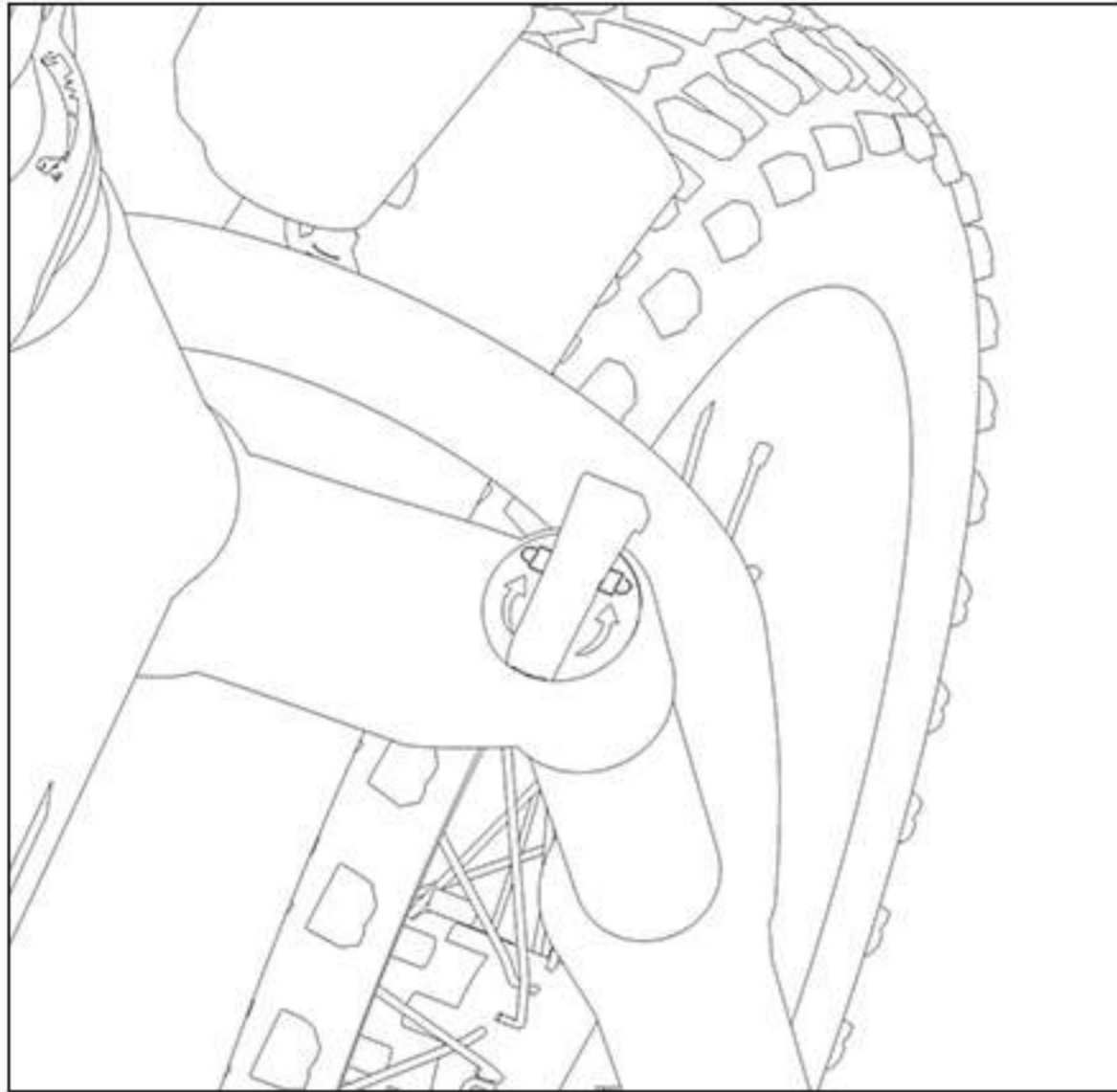
Note: When adjusting the height of the seat and handle, the position of the dotted line marked on the body of the tube must not be exceeded



Note: When adjusting the seat height, there is a piece of rubber tube to improve the friction, do not drop the rubber tube into the seat tube.

## HOW TO ADJUST THE SUSPENSION FORK

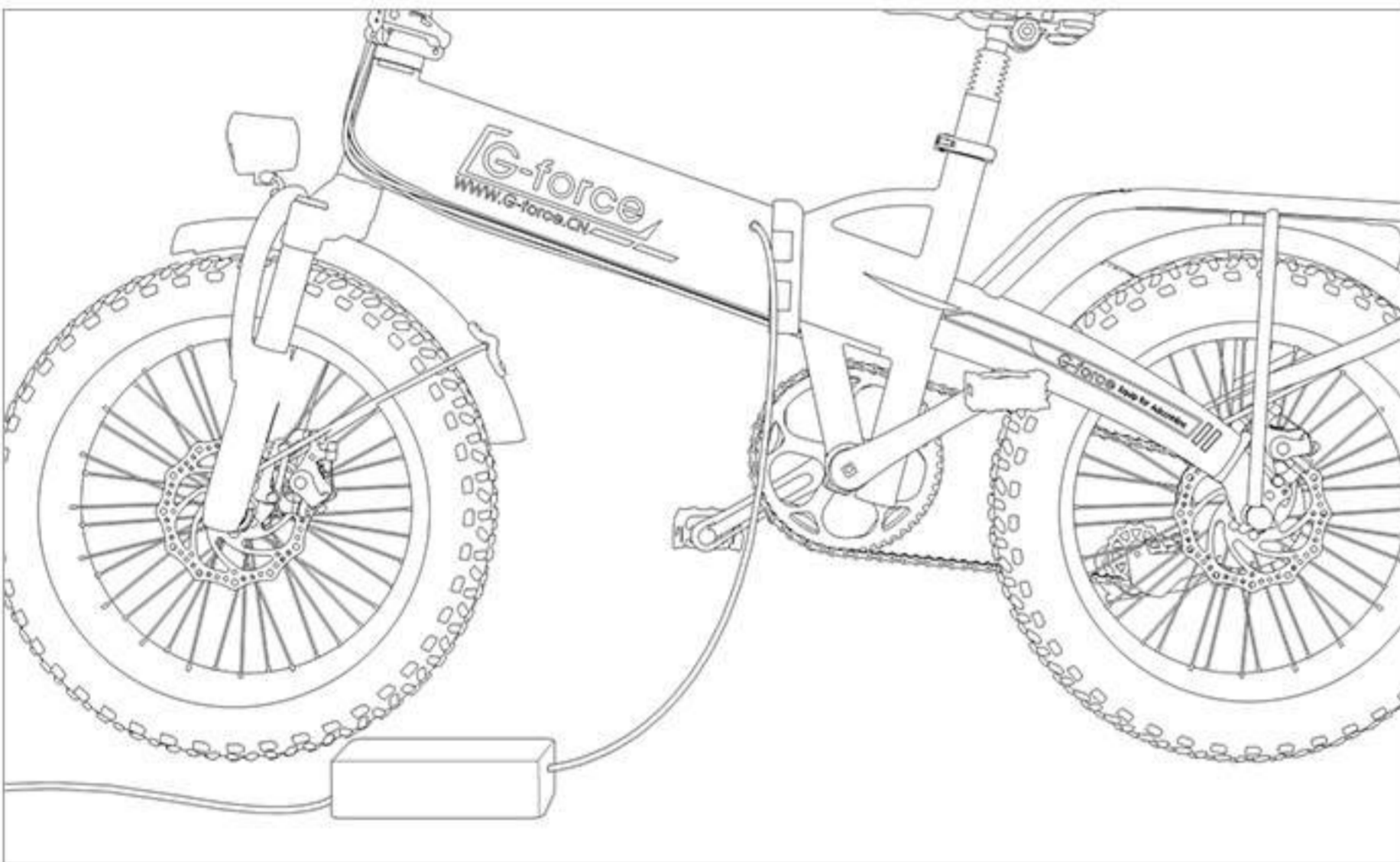
To increase stiffness, turn the knob counterclockwise to indicate the "lock" direction. To make the suspension softer, turn the knob clockwise to indicate the "open" direction. If you weigh more than 265 pounds, you should lock the suspension fork before riding.



Note: do not sit on the bike when you are turning the knob.

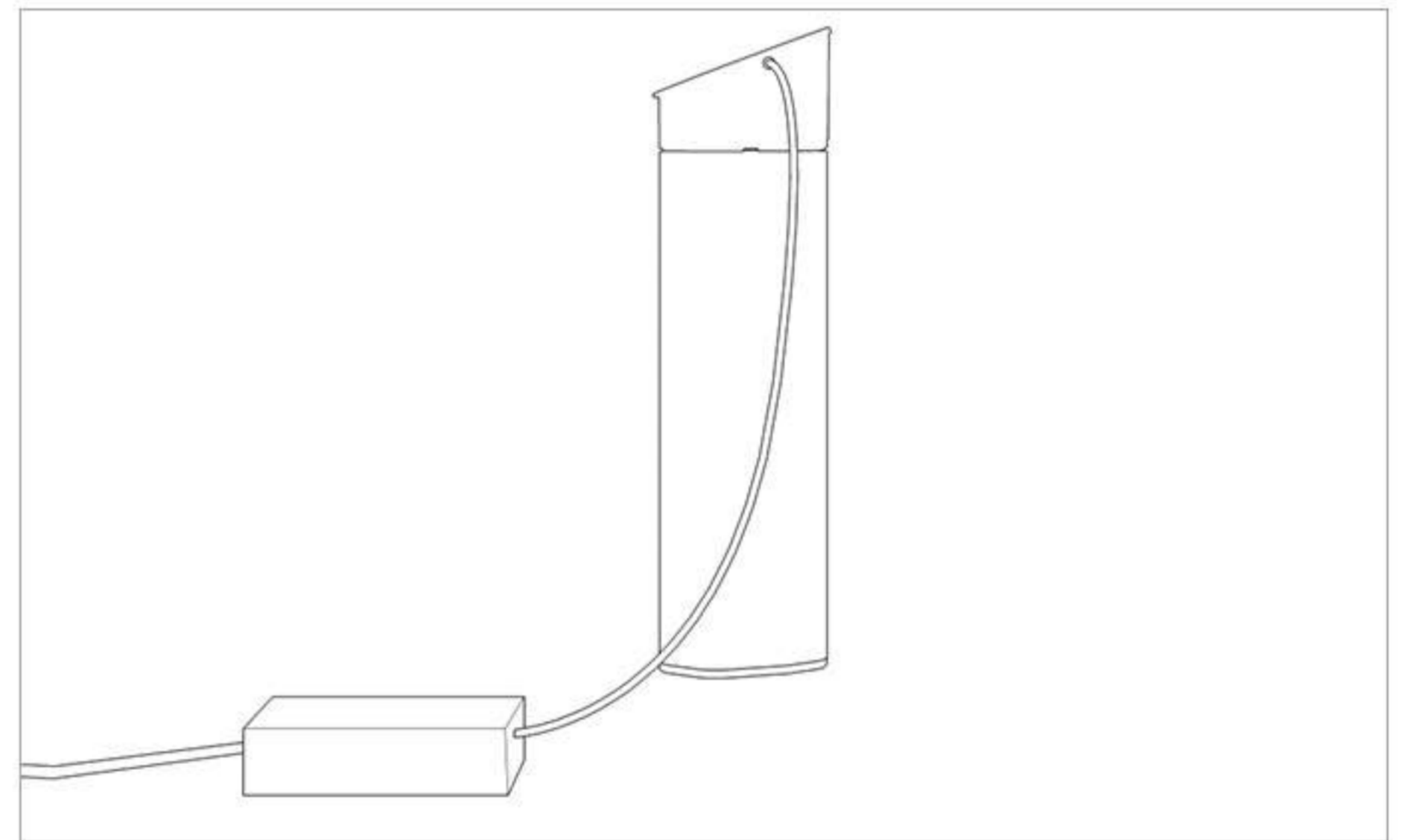
## HOW TO CHARGE

G-Force provides you with both whole bike charging and external battery charging for your convenience to choose.



### Whole bike charging mode:

You can plug the charging plug into the body charging port and charge the E-Bike directly.



### External charging mode:

Remove the battery and you can plug the charging plug into the battery charging port for external charging.



## CHARGING SAFETY

- Do not use a charger other than G-Force to charge the E-Bike.
- When you receive the E-Bike, please charge the battery for the first time in time to ensure that the battery is fully charged when you ride it for the first time.
- Do not leave the battery unattended while charging.
- Avoid charging the battery at too high a temperature.
- Make sure there are no flammable objects around when charging.

## Battery Safety:

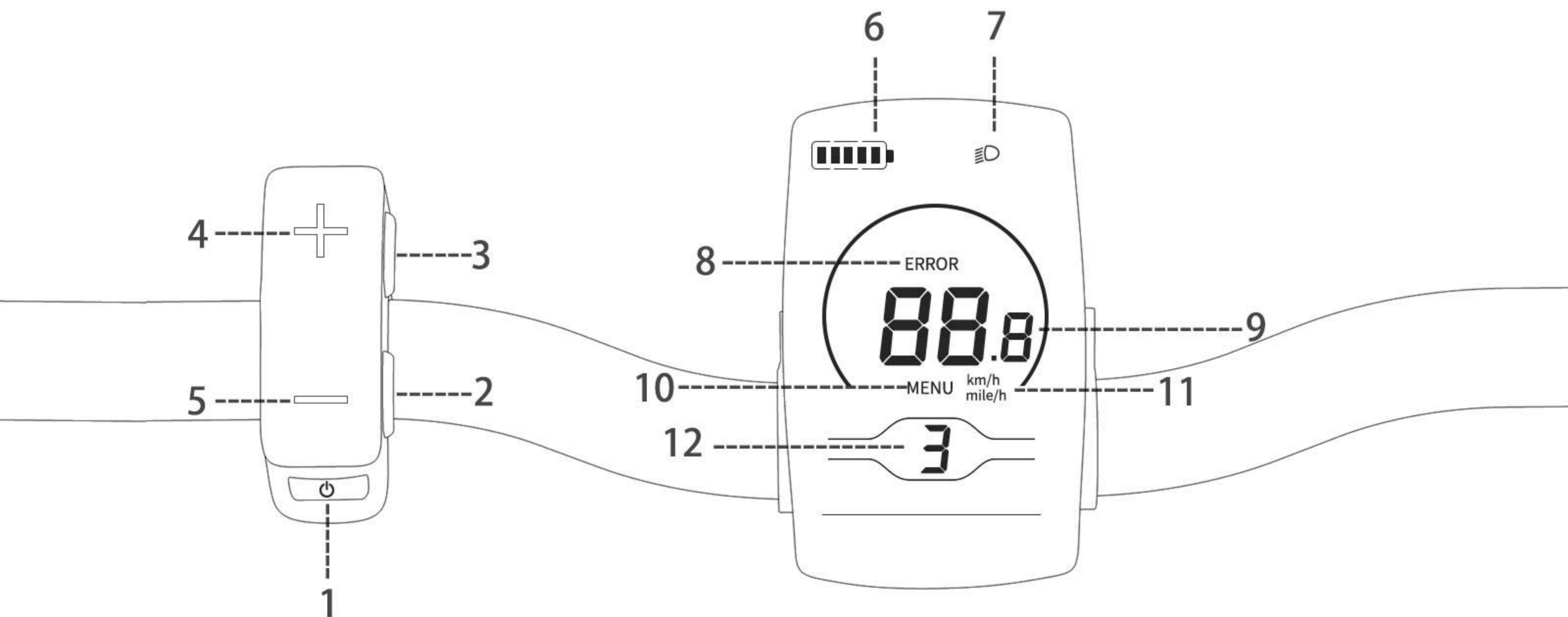
- ⊘ If you find the battery is damaged, leaking, discolored, etc., please do not charge the battery.
- ⊘ When storing the battery, be sure to keep it away from heat sources and avoid direct sunlight.
- ⊘ Do not immerse the battery in any liquid.
- ⊘ Do not force the battery to remove, follow the instruction manual into the removal of the battery.
- ⊘ Battery charging time may increase depending on the time of use.
- ⊘ If the battery fails to charge, stop charging immediately.

## Caution:

Be careful when charging, misuse will lead to property damage and personal injury

When your batteries are no longer in use, dispose of your batteries according to your local state regulations. Disposal regulations for lithium batteries vary from state to state, so it is important to know your local government's regulations. Lithium batteries should not be placed with regular trash.

## INSTRUMENT INTRODUCTION




- |                      |                          |                    |
|----------------------|--------------------------|--------------------|
| 1.  ON/OFF button    | 5.  DOWN button          | 9. Real-time speed |
| 2.  Headlight button | 6. Battery level display | 10. Menu           |
| 3.  Configure button | 7. Headlight Indicator   | 11. Speed unit     |
| 4.  UP button        | 8.  Error code prompt    | 12. Gear display   |

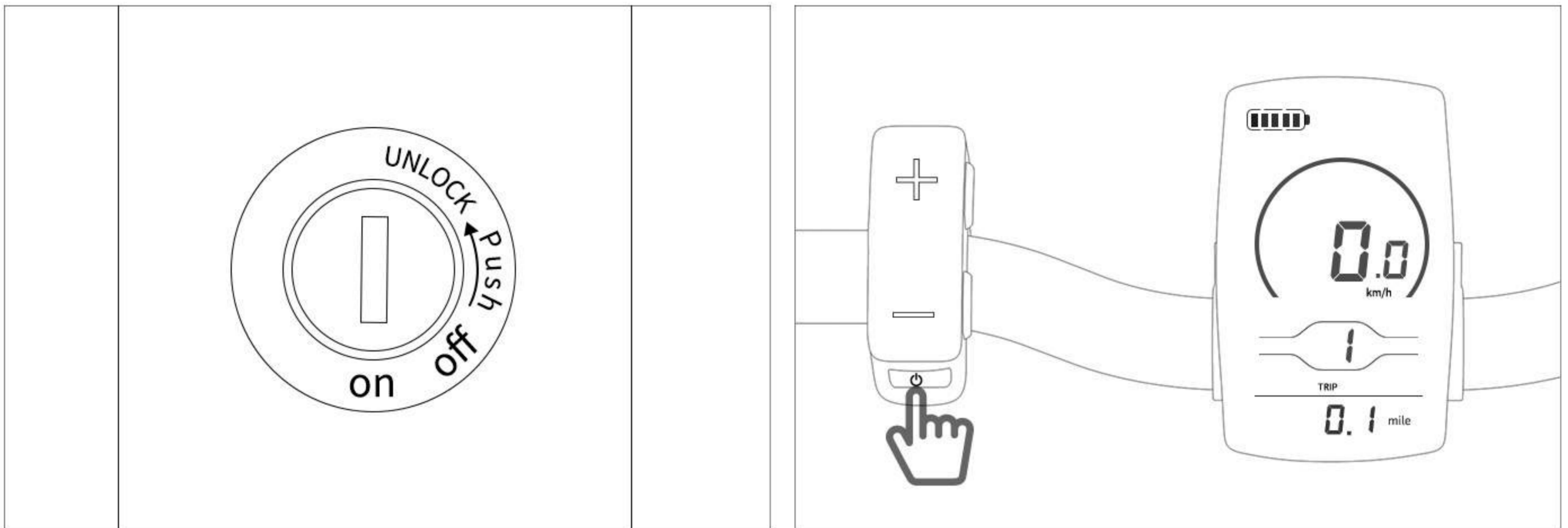


Please do not modify the instrument parameters that are not explained in this manual, otherwise it may not be able to ride properly.


## ON/OFF METER

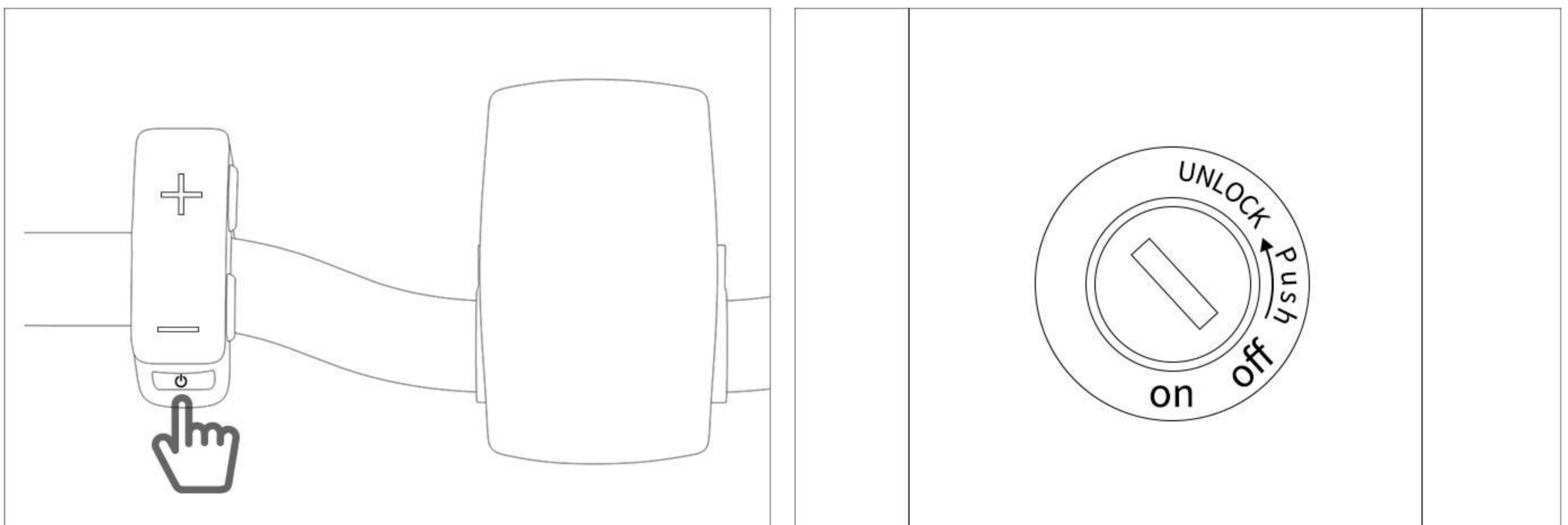
### Turn on the meter

1. Insert the key into the keyhole under the frame and twist the key to the right for two gears, at which point the key cannot be removed.
2. Press and hold the  button for more than 4 seconds, the meter and controller start to work.





### Off Gauge

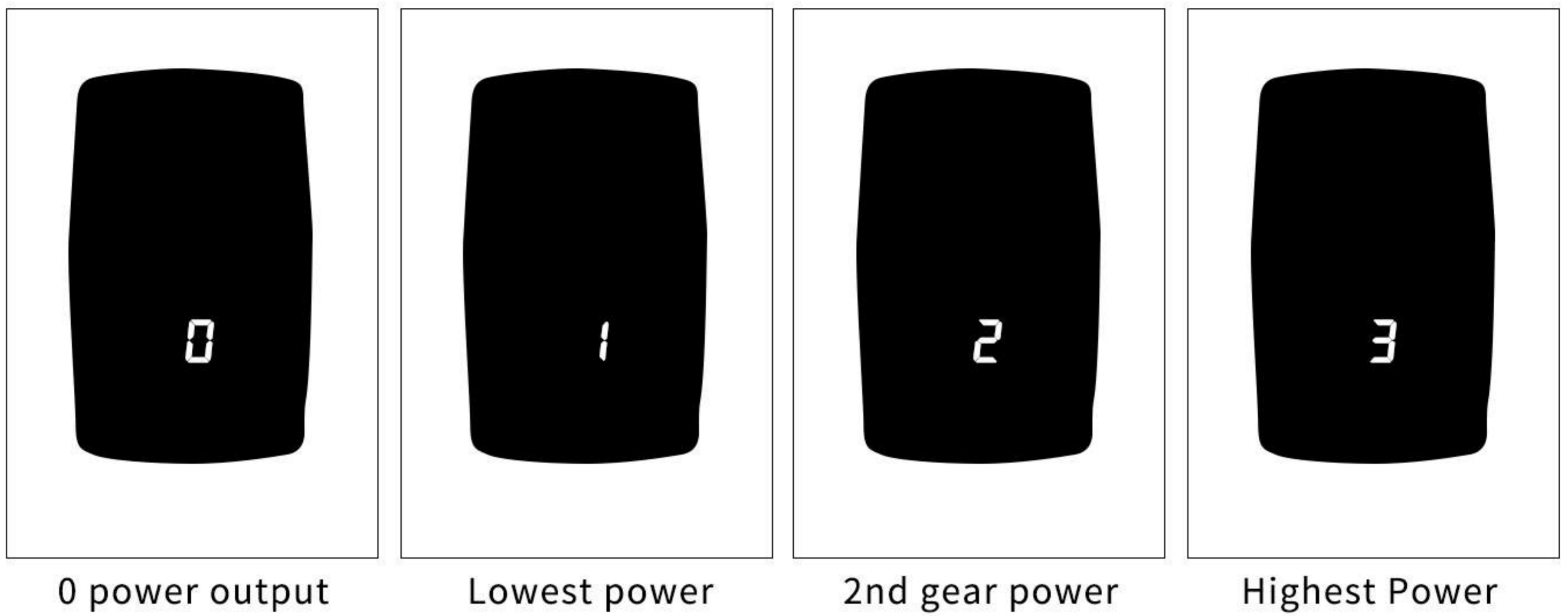
1. Short press the  button to turn off the meter and power.
2. Turn the key one notch to the left and remove the key, which will turn off the power.



Note: Only the key can activate the power of Ebike. This design is to prevent your electric bike from being ridden directly by others when parked on the roadside.

## UP/DOWNSHIFT

Short press the  or  button to switch the electric bike gears, thus changing the motor output power. There are 4 gears in total, 0-3, 0 is 0 output power. 3 is the highest output power. The default gear is 1st gear when the meter is on.



## SINGLE MILEAGE CLEARING

Step 1: Press and hold the **+** **-** key simultaneously for more than 4 seconds to enter the general settings menu (Fig2.1)

Step 2: Check the **tc** (option 1)

Step 3: Short press **i** to enter the settings

Step 4: Press **+** **-** toggle, **tc-4** means zero (Fig2.2) , **tc-n** means no zero (Fig2.3)

Step 5: Short press **i** save, press **i** for more than 4 seconds to return to the home screen

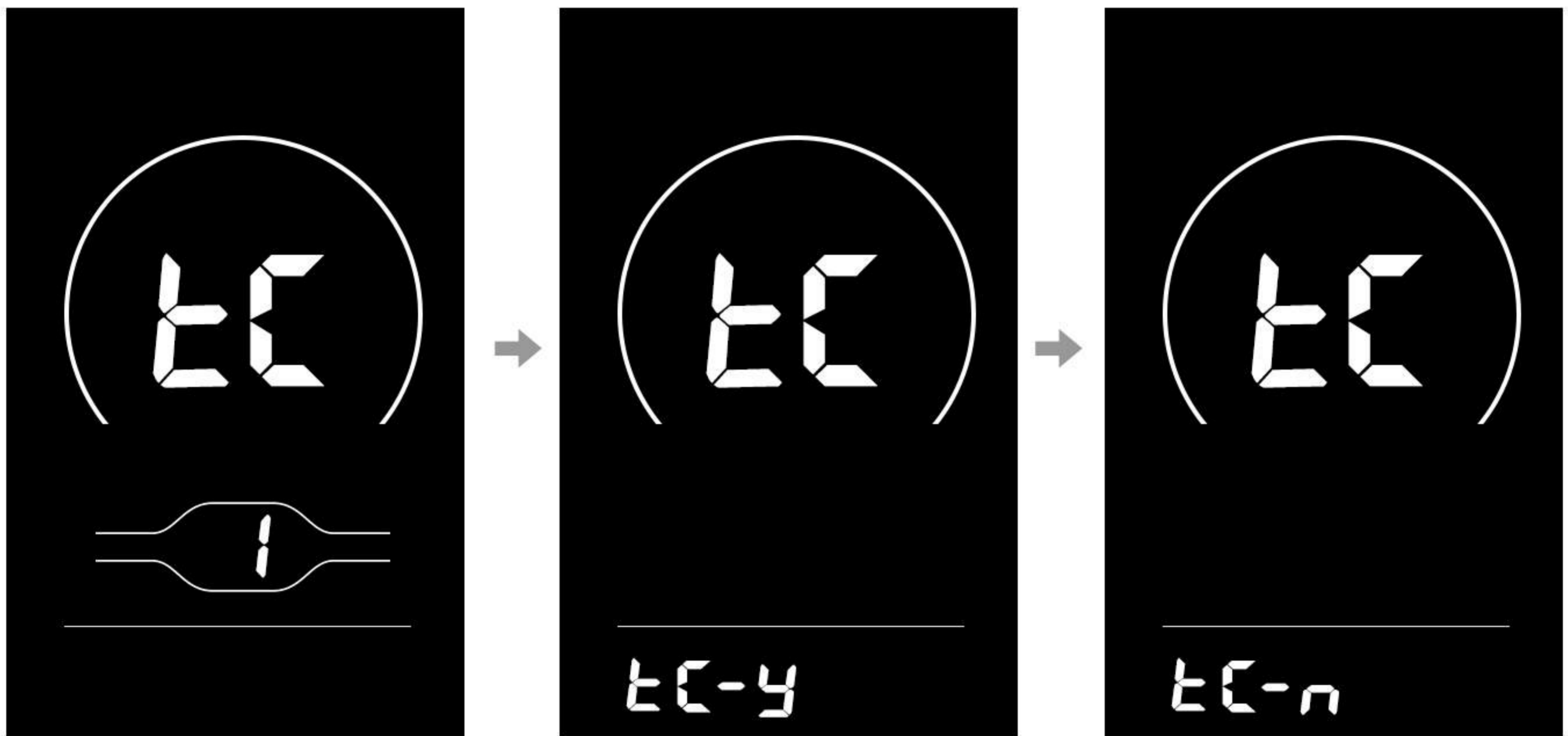


Fig2.1

Fig2.2

Fig2.3

## BACKLIGHT BRIGHTNESS ADJUSTMENT

Step 1: Press and hold the **+** **-** key simultaneously for more than 4 seconds to enter the general settings menu (Fig2.4)

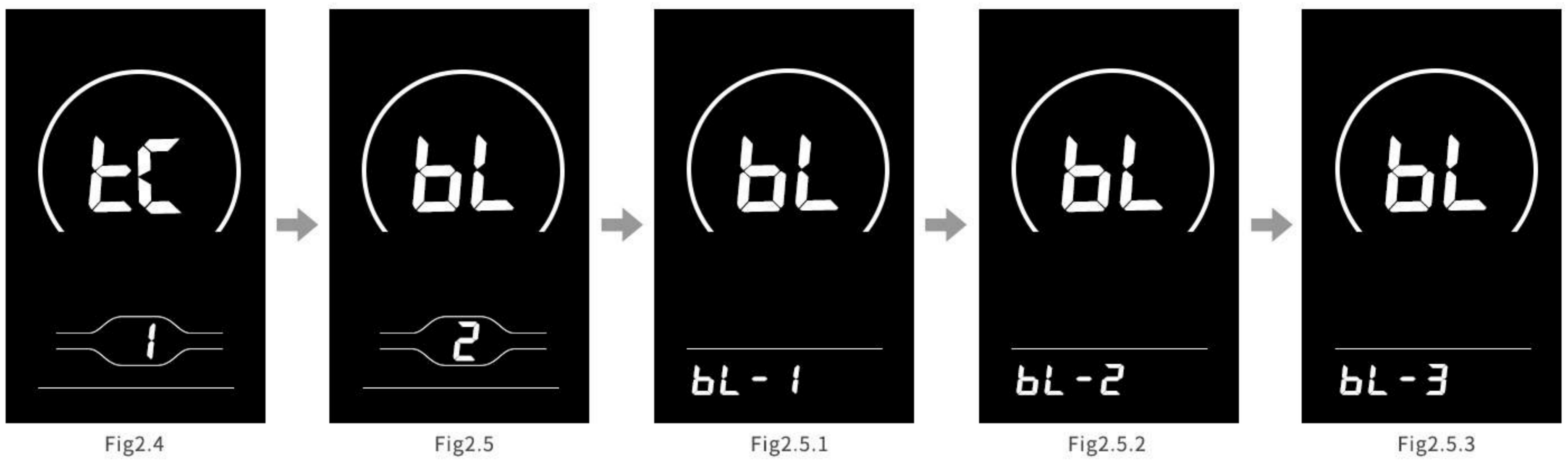
Step 2: Press **+** to select **bl** (Fig2.5)

Step 3: Short press **i** to enter the backlight brightness setting

Step 4: Press **+** **-** to adjust (1-3 steps) (Fig2.5.1/Fig2.5.2/Fig2.5.3)

Step 5: Short press **i** save, press **i** for more than 4 seconds to return to the home screen





## MILE KILOMETER SWITCH

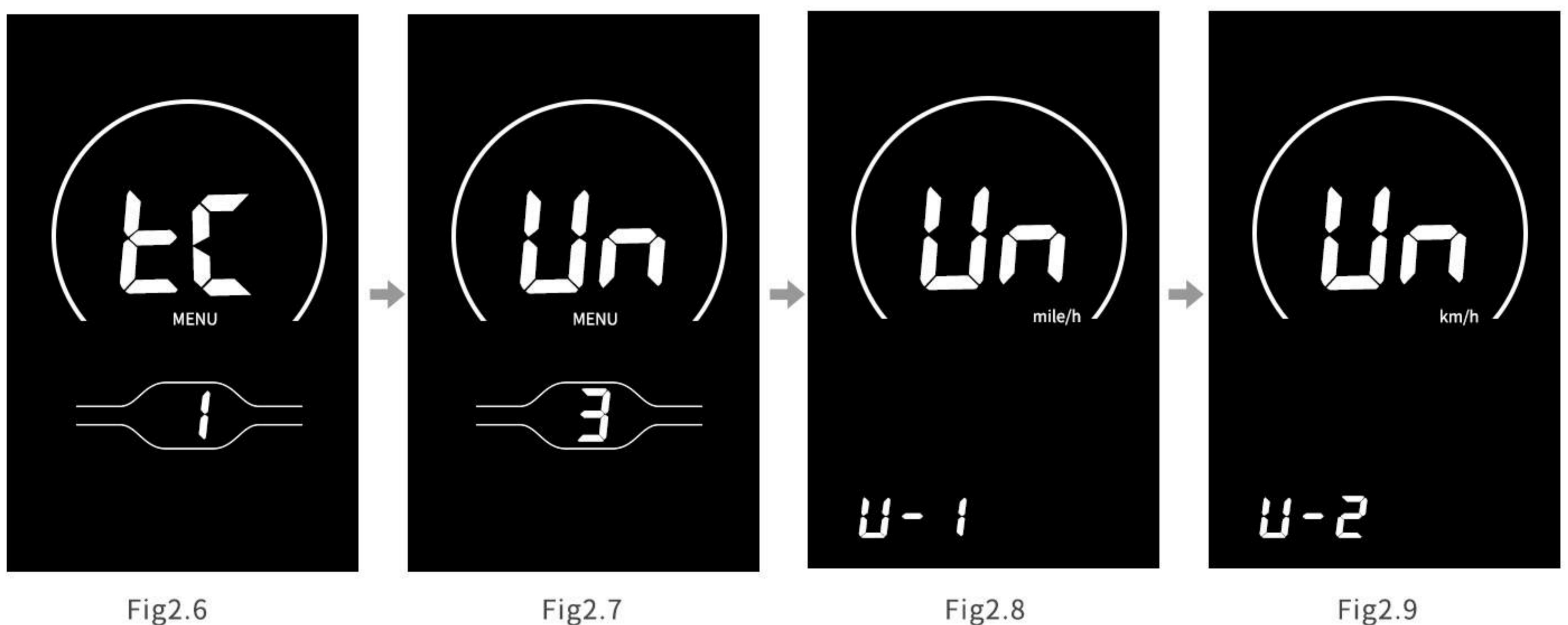
Step 1: Press and hold the **+** **-** key simultaneously for more than 4 seconds to enter the general settings menu (Fig2.6)

Step 2: Press **+** twice to select **Un**(Fig2.7)

Step 3: Short press **i** to enter the settings

Step 4: Press **+** **-** to toggle **U-1** for miles (Fig2.8) **U-2** for kilometers (Fig2.9)

Step 5: Short press **i** save, press **i** for more than 4 seconds to return to the home screen



## SPEED LIMIT SETTING

Step 1: Press and hold the **+** **-** key simultaneously for more than 4 seconds to enter the general settings menu (Fig2.2.1)

Step 2: Press and hold the **-** **i** key again simultaneously for more than 4 seconds to enter the parameter setting (Fig2.2.2)

Step 3: Press **-** to select (Fig2.2.3)

Step 4: Short press **i** to enter the settings

Step 5: Press **+** **-** to set parameters, maximum 50, minimum 20

Step 6: Short press **i** save, press **i** for more than 4 seconds to return to the home screen

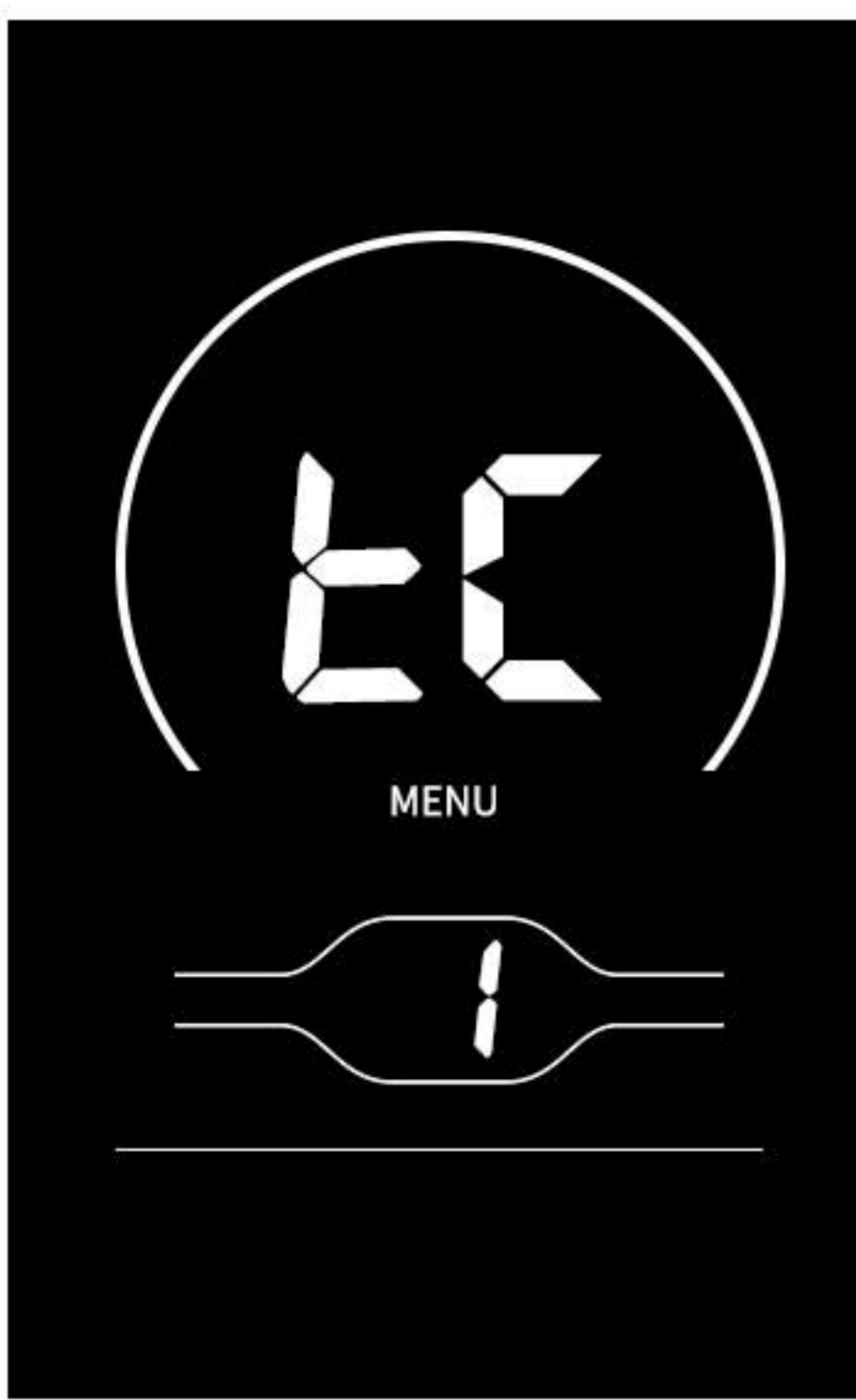


Fig2.2.1

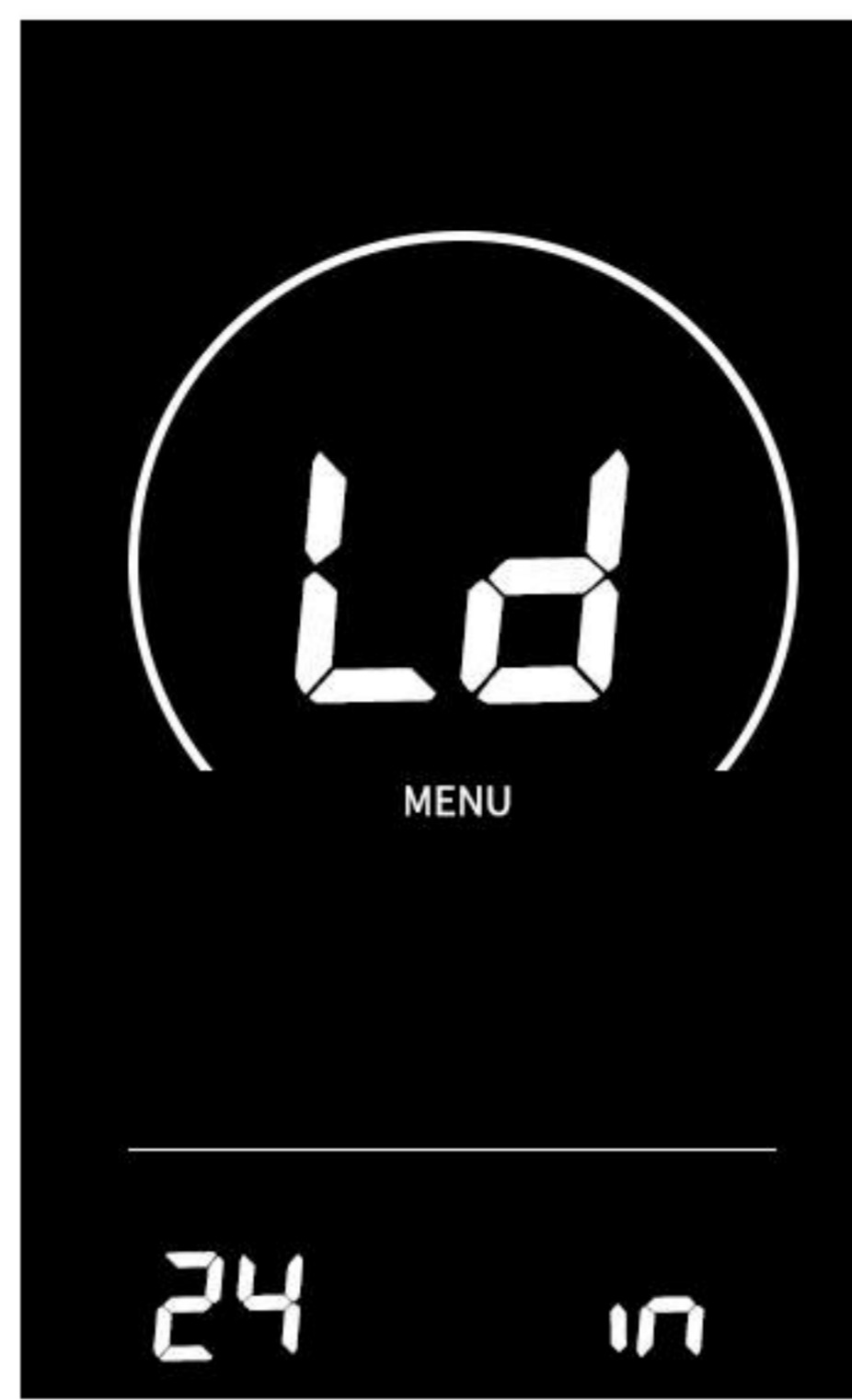


Fig2.2.2

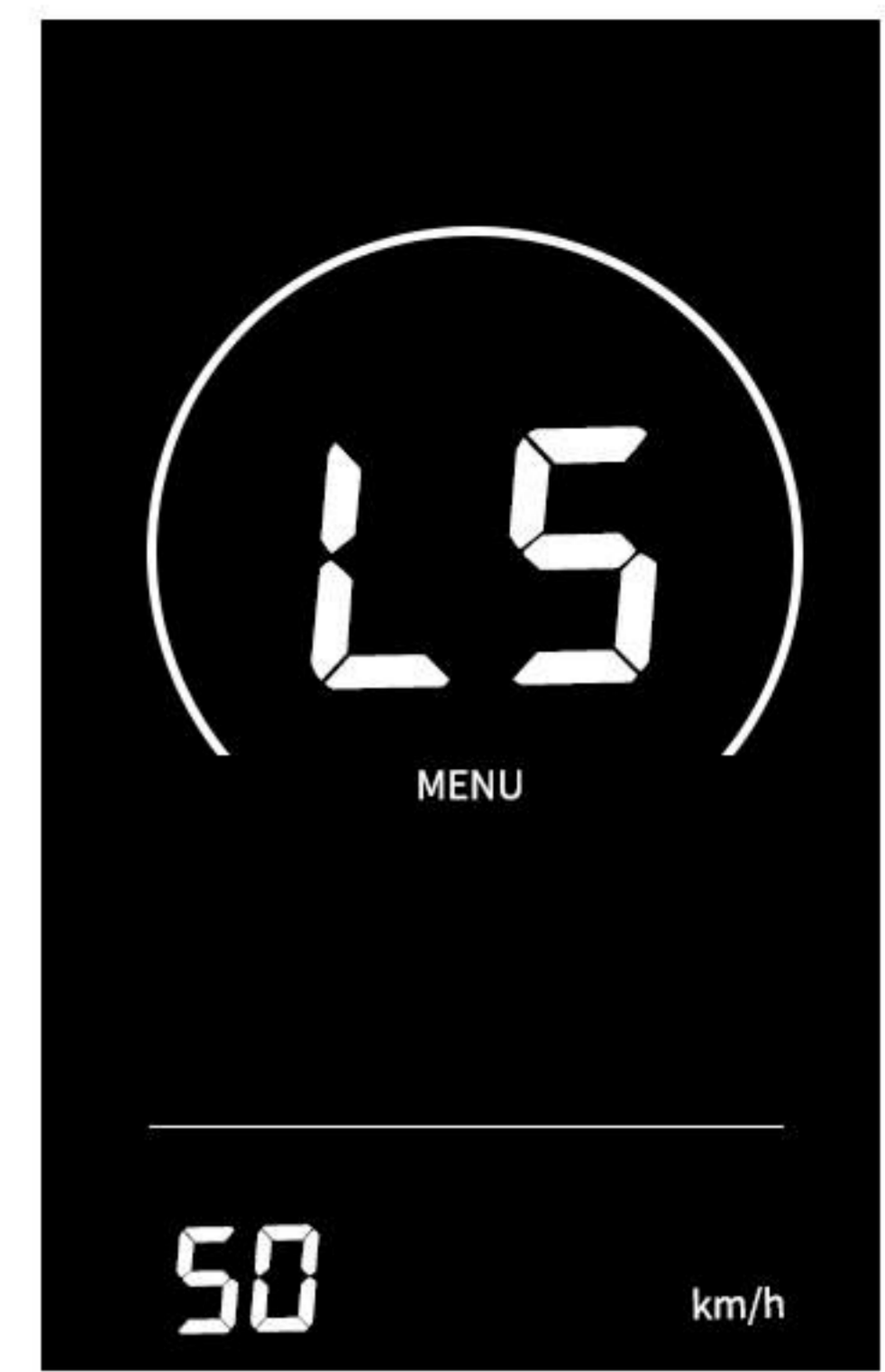


Fig2.2.3

## ASSIST RATIO SETTING

Step 1: Press and hold the **+** **-** key simultaneously for more than 4 seconds to enter the general settings menu (Fig2.2.4)

Step 2: Press and hold the **+** **-** key again simultaneously for more than 4 seconds to enter the personalization settings. (Fig2.2.5)

Step 3: Press **+** to select to SCR **SCR**(Fig2.2.6)

Step 4: Short press **i** to enter the settings (Fig2.2.7)



Figure2.2.4



Figure2.2.5



Figure2.2.6

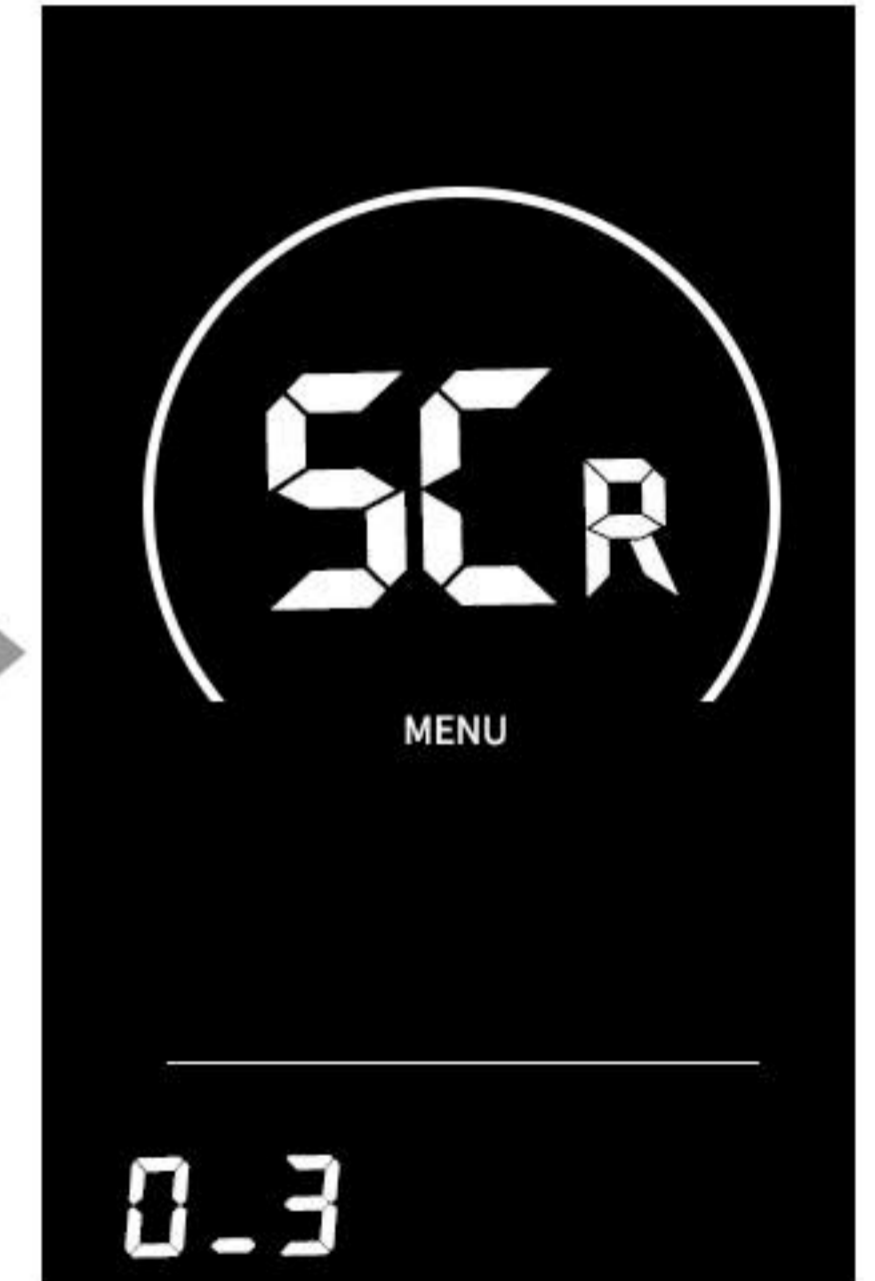


Figure2.2.7

Step 5: Short press **i** again to enter the boost ratio setting

Step 6: Press **+** **-** to set a gear boost ratio, the smaller the value, the smaller the proportion of motor output power.

Step 7: Short press **i** to enter the second gear setting, press **+** **-** to set the second gear boost ratio

Step 8: Short press **i** gain to enter the three-position setting, press **+** **-** to set the three-position power ratio

Step 9: Short press **i** save, press **i** for more than 4 seconds to return to the home screen



## **OPERATING SAFETY**

Before riding the bike for the first time, ensure that you have read and understood this manual. Make sure you understand how to turn on and activate the pedal assist and throttle. When first riding the bike, take care to start slowly in a low level of pedal assist. Take your first ride in a safe area away from cars, other bikers, pedestrians, or other potentially dangerous obstacles. Only move up pedal assist levels when you feel comfortable and you have ample experience riding the bike. The higher pedal assist levels will accelerate you to higher speeds more quickly. Take care when riding the bike at any speed. Failure to adhere to warnings and guidelines in this manual can lead to serious harm, injury, or death. Damage sustained by the bike from failing to follow instructions, guidelines, and warnings in this manual is not covered under warranty. Do not lean on the bike when it is parked and the kickstand is in use.

### **Helmets and Local Laws**

Always wear a helmet when riding your eBike. Ensure that the helmet fits your head and is securely tightened down. Before riding, read local laws and comply with all rules relating to cycling and eBiking in your area. If you attach a seat for children to the bike, they must also be wearing a properly fitted helmet at all times.

### **Pre-ride Safety Check and Inspection**

Before each ride, make sure to inspect your eBike to ensure there are no loose fasteners or accessories. Make sure to specifically check that both the front and rear axles are secure. Also make sure both the handlebars and the handlebar stem are not loose. Check the tire pressure of both wheels before riding to ensure the tires are inflated to the recommended pressure printed on the side of the tire walls. Pull the brake levers to make sure your brakes are working properly and adjust if necessary. Ensure both your seatpost and handlebar stem are inserted past their minimum insertions points as indicated by the markings on them. Make

### **Riding in Wet Conditions**

This electric bicycle can withstand light rain and small splashes, but is not designed to be subjected to inclement weather, extremely heavy showers, or submersion in water.

Note: Use caution when riding in wet conditions as it will take longer to use the brakes to slow down, and also when turning as the tires may slip. The electrical components on the bike are not waterproof. The entire bike has an IP rating of 65. Water damage is not covered under warranty.

## **Riding at Night**

Riding at night comes with more risks than riding during the day due to decreased visibility so riders are encouraged to exercise increased caution. Before riding at night, make sure that reflectors are installed on your eBike. For increased visibility, also ensure the front headlight and rear tail light are turned on and adjusted such that other people on the road can see them clearly. Riders should wear bright colored clothing at

## **Max Weight**

The bike can safely carry a total weight of 330 lbs. If the rear rack is attached to the bike, the max weight it can hold is 75 lbs. Therefore if you have a payload that is 40 lbs the maximum rider weight is 290lbs. Failure to adhere to these weight limits may invalidate your warranty, cause damage to the bike or rack, or cause serious injury to the rider. Note range and top speed will be affected by total weight being carried by the bike. If you are over 265 lbs you should lock out the suspension fork before riding.

## **PRE-RIDE SAFETY CHECK**

Ensure all components are properly secured before riding otherwise serious harm or death could occur. This includes but is not limited to: pedals, handlebars, handlebar clamp, cranks, seat, and seatpost clamp.

- Make sure you can't twist the seat or stem out of alignment by hand.
- Check to see if your saddle is positioned at the proper height. Sit on the saddle facing forward and place the ball of your foot on the pedal at its lowest point. Your leg should be mostly straight at this point with a slight bend at the knee. You should be able to pedal the bike without overextending your leg when the pedal is at its lowest point. Your legs may be overextended if it causes your hips to move side to side, which means the seat must be lowered. To start, adjust the saddle so your feet can still be placed firmly on the ground.

- Check that your suspension fork is properly adjusted for the terrain and your weight. The suspension fork will affect the handling of the bike, primarily when going over bumps and stopping. In some situations, it may be advantageous to lock out the suspension so it is fully rigid.
- The suspension fork can be locked out so it is rigid, and the tension is adjustable. To adjust the suspension fork use the blue knob. To fully lock the suspension, turn the knob clockwise towards the “lock” direction indicated until it cannot be turned further.
- To increase the stiffness, turn the knob clockwise towards the “lock” direction indicated. To make the suspension softer, turn the knob counterclockwise towards the “open” direction indicated.
- If you are over 265 lbs you should lock out the suspension fork before riding.
- To adjust your seat up or down, unlatch the seatpost clamp. Move the seat to the desired height and close the seatpost clamp. The open and closed positions of the seatpost clamp are shown below (open position on left, closed position on right). Handlebar Stem Seatpost
- Ensure both your seatpost and handlebar stem are inserted past their minimum insertion points as indicated by the markings on them. These markings are shown below. Failure to insert past the minimum insertion point will place undue stress on these components increasing the risk of sudden failure potentially resulting in harm, injury, or death.
- Check your seatpost clamp and handlebar stem quick releases torque. They should be tight enough so that they do not twist or fall down when the bike is in use. Unlatch the quick releases and tighten by turning the bolt clockwise. Make sure both quick releases are tightened to the torque listed in the Recommended Torque Values section of this manual. The page number of this section can be found by referring to the table of contents at the beginning of this manual.
- If you need to adjust the angle of your seat or the position of the seat on the rails, loosen the nuts on both sides of the seat, move the seat to the desired angle/position, then tighten the nuts. The nut’s location is shown below.

- Ensure all cables and connectors at the front of the bike are securely connected or certain components may not work including the front light, the motor inhibitor switches, LCD display, and throttle. The motor inhibitor switches shut the motor off as soon as the rider hits the brakes. If these switches are not operational it will take longer to slow down which in some riding situations could cause injury or death to the rider. If you have installed any accessories make sure they do not interfere with all cables and connectors when turning the handlebars.

## ERROR CODES

| Error Code | Meaning              | Error Code | Meaning                   |
|------------|----------------------|------------|---------------------------|
| 21         | Current abnormality  | 24         | Motor signal abnormal     |
| 22         | Throttle abnormality | 25         | Brake abnormality         |
| 23         | Motor out of phase   | 30         | Communication abnormality |

## WARRANTY

All Bikes should be operated in accordance with the G-force owner's manual provided with the bike. G-force warrants to the original registered purchaser that bikes shall be free from all defects in material and workmanship for a period of 12 months from the date of shipment, when used in accordance with the owner's manual and for the purpose intended. All other obligations and conditions or liabilities, including obligations for consequential damages, are hereby excluded.

The warranty is nontransferrable and only applies to the original owner. This warranty gives you specific rights and purchasers may also have other rights, which may vary by location. Damage caused by failing to adhere to instructions and warnings issued by G-force is not covered under warranty. Warranty parts will only be shipped within the continental United States. The warranty period of parts is as follows.

Warranty time is calculated from the sales date.

|                  | Accessories     | Three Packages | Three Guarantees Failure Type                                  |
|------------------|-----------------|----------------|--|
| Electrical parts | Motor           | 12 months      | Free repair of failure within two years                        |
|                  | Controller      | 12 months      | Performance failure  |
|                  | lithium battery | 12 months      | Can't charge and discharge                                     |
|                  | charger         | 12 months      | Performance failure  |
|                  | meter           | 12 months      | Malfunction  |
|                  | Turn handle     | 3 months       | Malfunction  |
|                  | Brake lever     | 3 months       | No power-off function  |
|                  | Booster         | 3 months       | No induction capability  |
| Structure        | Frame           | 12 months      | There are natural welding, desoldering, and fracture phenomena |
|                  | Front fork      | 12 months      |  |
|                  | Riser           | 12 months      |  |
|                  | handlebar       | 6 months       |  |
|                  | crank           | 6 months       |  |

Accessories sold on [www.g-forcebike.com](http://www.g-forcebike.com) are not covered under warranty (except in cases of shipping damages). Stolen bikes are not covered under warranty.

Necessary precautions must be taken to ensure the bike and battery are not exposed to severe weather conditions.

Exposure to very wet, hot, or cold conditions may void the warranty.

We will replace any parts deemed to have been damaged during shipping. Shipping damage must be reported to G-force within 14 days of shipment arrival. This applies to all products including bikes and accessories. You will NOT be refunded as compensation for your time or efforts replacing damaged parts. Replacement parts will not be sent until photographic evidence has been provided to G-force. G-force may request additional documentation (such as video) to assist with accurately diagnosing the problem and processing the warranty claim. Most warranty parts are fulfilled 1-10 business days after the request is put into our system by a customer service representative. Warranty parts are sent using USPS First Class, FedEx Express, or FedEx Ground depending on the size of the part. Warranty parts will not be expedited. Items including the chain, tires, wheels, tubes, battery handle, brake pads, cables and housing, grips, and spokes are considered wear items.

These items wear down with normal use and are not covered under warranty. You are responsible for replacing and maintaining these wear items. Any unauthorized alterations or repairs are not covered and may



void this warranty. For warranty services, please contact G-force online support by email at support@g-forcebike.com. Bikes or parts returned without proper documentation may result in delayed service or denied warranty coverage. Warranty return shipping costs along with duties and taxes are the responsibility of the claimant.

## ELECTRIC BIKE MAINTENANCE

### **Regular cleaning**

Cleaning the bike often will help to keep dirt, dust, and debris from getting into the engine and messing with the motor. It also helps to keep all the mechanical parts moving properly without grinding against each other or blocking the chain. E-bikes should be washed once or twice per week.

When you clean your e-bike, do not use a pressurized hose or stream of water. This might compromise the integrity of the seals around electrical equipment and wear them down, eventually leading to exposed and wet electrical systems that will then malfunction. Instead, use a low-pressure water stream or a wet rag and dry the bike off once you're done washing it.

### **Lubrication**

In order to keep all the mechanics in working order, you can apply lubrication on the major moving parts such as the chain. You should use a special cleaning solution to clean off the chain before applying a bike lubricant to it. This should ideally be done at least once a week if you use the bike often.

### **Check the bolts**

Do a quick once-over and check for any loose screws, bolts, nuts, or anything else on the bike. If there is too much play in the bolts, tighten them up a little bit and see if you can identify the cause of the looseness. Don't tighten the bolts too far.

### **Tire pressure**

You can check to see what the current pressure is in the tires by using a simple pressure gauge. If it's too low, or if the tires can visibly sink when you push your finger into them, you should get out your bike pump and inflate them properly to the pressure indicated on the tires.

## **Brake pads**

Take a good look at the brake pads on your bike every few weeks to see how they are holding up. It's essential that you have effective brakes or else you could end up in a serious accident. Brake pads can easily and cheaply be replaced whenever necessary.

## **Waterproofing**

The battery and motor of an ebike are well sealed to prevent any water damage. That doesn't mean it's absolutely impossible for water to get in, but with a certain level of common sense and care, you won't need to worry. Things to avoid with an electric bike include using a jet wash and fully submerging the bike. No lake jumps then, sorry! The motor itself is in a factory-sealed unit and you should never attempt to take it apart for maintenance or to try and fix a problem.

## **Battery care**

Charge the battery at room temperature in a dry location. To improve the lifespan of your battery, avoid leaving the battery fully charged or fully discharged for long periods of time. When the bike is out of use for an extended period, you can disconnect the battery. It will gradually lose charge, so still top it up every now and again. As we've already said, avoid storing the bike for long periods of time with no charge – maintaining 30 to 60 per cent charge is ideal for long-term storage, according to ebike systems manufacturer Bosch. Extreme heat and cold are the enemies of electric bike batteries. Store your ebike battery in a cool, dry place out of direct sunlight. During winter, and particularly if the temperature is below 0°C, charge and store the battery at room temperature, and re-insert the battery into the bike immediately before riding.

## DISCLAIMER

Riding any kind of bicycle comes with inherent risks and dangers that cannot be predicted or avoided. These dangers could result in a serious accident, injury, or death of the rider. It is the sole responsibility of the rider to become properly educated and prepared to ride safely. Once in possession of the bike, G-force strongly encourages and recommends that all customers have a certified and reputable bicycle mechanic complete a full inspection of each component on the bicycle to ensure it is safe for operation. G-force makes no claims or guarantees that the brakes, battery, frame, motor, motor controller, LCD display, electrical cables, electrical cable housings, fasteners, grips, fork, stem, shifters, headset, seatpost, seatpost clamp, handlebar stem clamp, saddle, wheel hubs, handlebars, spokes, rims, tires, tubes, derailleur, freewheel, cassette, throttle, kickstand, lights, reflectors, hardware, bottom bracket, or any other part or accessory, will be properly secured and adjusted upon arrival. Before every ride fully inspect your bicycle to ensure everything is secured and adjusted properly. Under no circumstances is G-force responsible for any damage resulting from damaged, defective, or improperly secured parts. This includes, but is not limited to, damage to personal property, personal injury, or death.