

Thank you for choosing SDS PRO (Smart Motion Control Mini Electric Drill). Please read the instructions manual carefully.

Product description:

The Arrowmax SES PRO smart motion control electric screwdriver won the 2021 German Red Dot Innovative Product Design Award;

SDS PRO Smart Motion Control Mini Electric Drill inherits all of its smart advantages. Equipped with the best 32-bit microprocessor, 3-axis gyroscope and has a HD OLED interface.

SDS PRO enters the automatic working mode of gear A, and intelligently senses the rotation of the human hand. The speed and torque can be adjusted according to the rotate range, so as to realize true infinitely variable speed, which can be drilled according to different materials, from the speed of 450-550r/min can be adjusted arbitrarily, and 4 fixed gear modes respectively, producing different torque and speed during work.

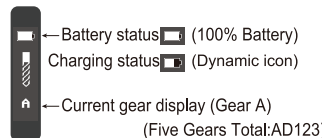
SDS PRO is designed with only one power button to make work easier. No matter is to carry out drilling work, or choose to enter any working mode, just press the same power button to complete. During the working process, the OLED screen animation shows the working status of the drill, the OLED screen shows the current remaining power, and animation of charging status.

SDS PRO is an integrated intelligent forward and reverse mode. The operation when replacing the drill bit is also simple, no need to use other tools, just loosen the chuck to easily remove and insert the drill bit, tighten the chuck for immediate operation.

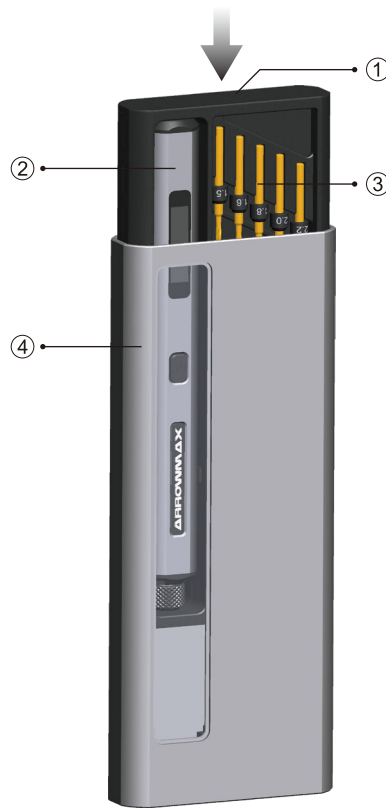
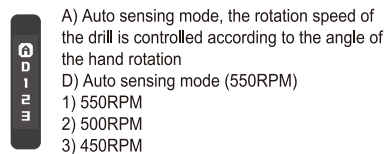
The SDS PRO handle is square shape. The specially formulated high-capacity LiPo battery makes more efficient use of the internal space of the product, and the LiPo battery capacity reaches 500mAh. With wireless T-C charging design, it can be used for 3 hours when fully charged in 80 minutes. The standby time can be up to 90 days, and the LiPo battery we use has passed the US TUV certification. SDS PRO comes with aluminum alloy storage box, which is convenient for storage and manage of all accessories. Containing 10 common sizes and replaceable HSS drill bits on the market. The parts are CNC precision machined. The concentricity of the shaft is less than 0.03mm, every job is precise and neat!

Operation method:

Gear setting: Press the power button three times to enter the gear setting interface, press the power button to select the working modus. After finished selection, let go and wait for two seconds. After the data is saved, it will automatically return to the standby interface.



Gear Setting Interface (Five Gears Freely Adjustable)



- ① - Inner Box
- ② - SDS PRO Smart Motion Control Mini Electric Drill
- ③ - Drill Bits
- ④ - Storage Box

Storage Instructions:

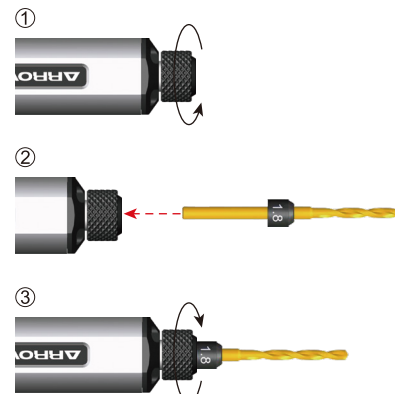
- ✦ Press the top of the storage box, the inner box of the storage box pops out to open.
- ✦ Press the top of the inner box once more to close the storage box.

SDS PRO storage:

- ✦ The SDS PRO is fixed to the inner box of the storage box in the form of a buckle.
- ✦ After use, place the SDS PRO back into place.
- ✦ Drills are fixed in the inner box.
- ✦ After use, place the bit back into position.

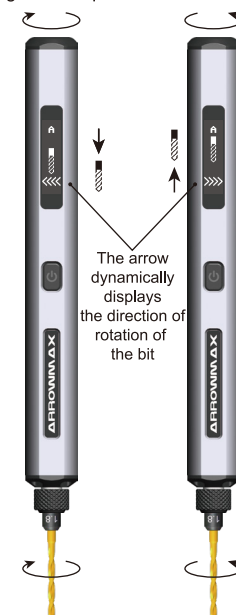
Installation of bits:

- ✦ Take out the bit from the inner box of the storage box. ① Loosen the chuck. ② Place the bit. ③ Tight it up.



Working Status:

In gear A/D mode:
Press and hold the power button, and turn the drill clockwise with the gesture to the right, the drill head turns right, the drill bit icon on the OLED screen moves down, and the arrow mark dynamically displays to the right; Press and hold the power button, turn anti-clockwise to the left, the drill bit turns left, the drill bit symbol on the OLED screen moves up, and the arrow symbol dynamically displays to the left; Press again to stop.



In the 1/2/3 gear mode:
Press the power button, the drill bit turns right, the drill bit symbol on the OLED screen moves down, and the arrow symbol dynamically displays to the right; Press the power button again, the drill bit turns left, and the screw symbol on the OLED screen is displayed move up, while the arrow mark is dynamically displayed to the left; Press again to stop.

Product parameters:

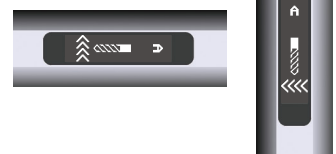
Product model: SDS PRO
Battery voltage: 3.7V
Size: 15 x 15 x 137 mm
LiPo battery: 500 mAh
Weight: 55g
No-load speed: 550r/min
Electric maximum torque: 2.0kgf.cm
Charging time: 80 minutes

Product list:

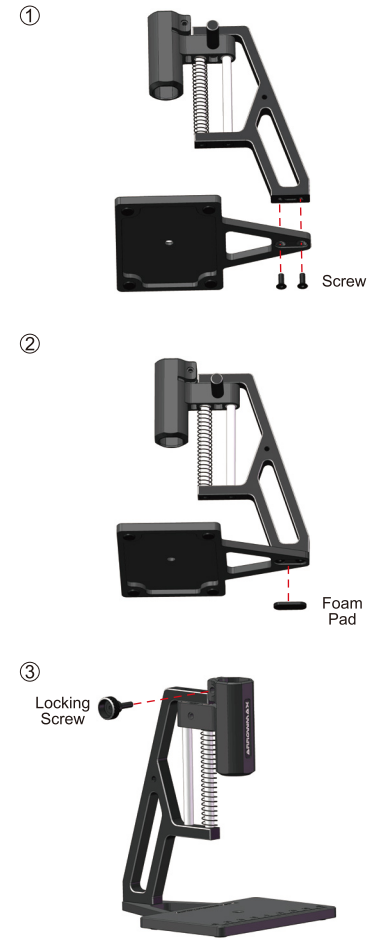
- (1x) Smart Motion Control Mini Electric Drill
- (1x) Aluminum alloy storage box
- (1x) Manual
- (10x) Drill Bits:
0.6/0.8/1.0/1.2/1.4/1.5/1.6/1.8/2.0/2.2 mm

Attention

Under drilling work, only right turn (forward direction) is preferred to drill different materials!



Users who purchased **SDS PRO PLUS** Please follow the below steps to install the benchtop drill stand:



Warranty card:

Warranty regulations

1. The warranty period for this product is 12 months.
2. With 7 days from the date of sale, if product performance fault is found, it can be returned, replaced or maintained, please contact to our customer service.
3. If you have any questions, please contact your dealer.

The following situations are not covered by the warranty:

1. Product is damaged due to improper use, maintenance, and storage.
2. No after-sales vouchers and valid invoices.
3. The damage is caused by force majeure.

The company reserves the right to modify the above provisions, without violating relevant national laws and regulations, we have the final right of interpretation.

Maintenance information

User name: _____
Telephone: _____
E-mail: _____
Address: _____
Purchase date: _____
Maintenance reasons: _____

Manufacturer Information

Manufacturer: Freemax Technology Co.,Ltd
Address: Room 1203,12/F,Wah Shing Centre, 11-13 Shing Yip Street,Kwun Tong,Hong Kong
T: + 852 3590 9790
E: info@arrowmax-rc.com
www.arrowmax-rc.com



保修卡

保修條例

- 1.本產品自售出之日起, 保修期12個月;
- 2.自產品出售之日起7日內, 如發現產品性能故障, 可以選擇退貨、換貨或者維修;
- 3.如有疑問, 請聯繫購買供貨商。

下列情況不在保修範圍之內

- 1.消費者因使用、維護、保管不當造成損壞的;
- 2.無售後憑證及有效發票的;
- 3.因不可抗拒因素造成損壞的。

本公司保留修改以上規定的權利, 在不違反國家相關法規的情況下, 擁有最終解釋權。

售後信息

用戶名稱: _____

聯繫電話: _____

電子郵件: _____

用戶地址: _____

購買日期: _____

維修原因: _____

製造商信息

製造商: 飛馬仕科技有限公司
地址: 香港九龍觀塘成業街11-13號
華成工商中心12樓1203室
電話: +852 3590 9790
郵箱: info@arrowmax-rc.com



說明書

智能迷你電鑽

SDS PRO

ARROWMAX

SDS PRO 電鑽結構圖



感謝您使用本公司的智能迷你電鑽。為了讓您更好的體驗產品, 請仔細閱讀說明書。

產品描述

SES PRO 智能螺絲刀系列獲得了2021德國紅點創新產品設計獎;

SDS PRO 智能迷你電鑽傳承了其所有的智能化優點。

SDS PRO 同樣配備了32位微計算芯片, 三軸陀螺儀和OLED高清數字動態顯示屏, 通過複雜而精確的算法, 能夠智能感應人手的擺動而進行工作, 從而實現一鍵啓動所有, 達到行業內的最高配置。頭部的四顆LED燈, 在工作的同時會自動亮起。

SDS PRO 進入A檔自動工作模式, 智能感應人手的擺動幅度而進行轉速快慢和扭力大小的調節, 實現真正的無級變速, 可以根據不同需要鑽孔的材料, 從450-550r/min的速度任意調節, 另外配置有4個固定檔位, 分別在工作中產生不同的扭力和轉速。

SDS PRO 設計只有一個開關鍵, 讓工作更簡便, 無論是進行鑽孔工作, 或選擇進入任何一個工作模式, 只需要按同一個開關鍵完成。工作過程中, OLED屏動畫顯示鑽頭的工作狀態, OLED屏長期提示當前所剩電量, 並動畫顯示充電狀態。

SDS PRO 是一體智能正反轉向模式。在更換鑽頭時的操作也相當簡單, 不需要使用其它工具, 只要旋開夾頭即可輕鬆取出、置入鑽頭, 接著旋緊夾頭即可立即操作。

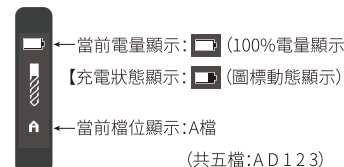
SDS PRO 手柄採用了方形帶圓弧面的形狀, 使得工作期間更好控制電鑽, 握感更舒適。特殊配製的高容量鋰電池, 更有效地利用了產品的內部空間, 鋰電池容量達到500mAh以上, 使得SDS PRO的工作時間比其他產品更長。採用無線T-C型充電設計, 只要充電80分鐘即可使用3小時, 不用因電線影響發揮。待機更可長達90天, 所用鋰電池更通過了美國TUV認證。

SDS PRO 採用了鋁合金收納盒, 方便所有配件的存放和管理。收納了10種市面常見尺寸, 可替換的高速鋼鑽頭, 從裡到外的零件均採用CNC精密加工, 在電腦程式準確控制之下確保一致的高品質, 低於0.03mm的軸同心度, 更是超乎業界標準, 讓每次工作都能精準利落!

操作方法

檔位設置: 連續按三次開關鍵, 進入檔位設置界面, 單按開關鍵進行選擇智能迷你電鑽的工作檔位, 選擇完成後, 鬆手等待兩秒, 數據保存後自動返回待機界面。

待機界面:



檔位設置界面: (五檔自由調節)

- A 智能手势控制正轉或者反轉, 隨轉动的不同角度調整鑽頭的轉動速度
- D 智能手势控制正轉或反轉, 运行最高轉速
- 1 550轉, 按開關正轉, 再按反轉, 再按停止
- 2 500轉, 按開關正轉, 再按反轉, 再按停止
- 3 450轉, 按開關正轉, 再按反轉, 再按停止



- ①- 收納盒內盒
- ②- 智能迷你電鑽
- ③- 鑽頭
- ④- 收納盒外殼

收納盒開合

按壓收納盒頂部, 收納盒內盒彈出開啓。再次按壓收納盒內盒頂部, 收納盒閉合。注意: 按壓收納盒內盒後, 內盒彈出, 此時內盒易滑落。

智能迷你電鑽收納

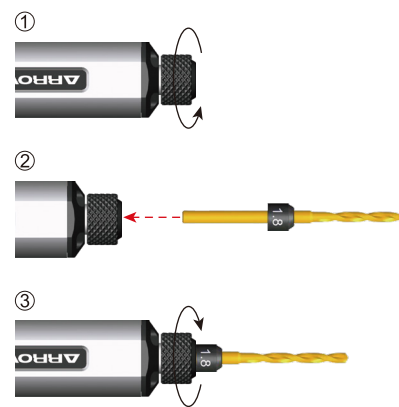
智能迷你電鑽以卡扣形式固定於收納盒內盒。使用完畢後, 將智能迷你電鑽按壓歸位。

鑽頭收納

鑽頭以卡扣形式固定於內盒中。使用完畢後, 將鑽頭按壓歸位。

鑽頭安裝

從收納盒內盒中取出鑽頭, ①向右邊旋開夾頭, ②置入鑽頭, ③接着向左邊旋緊夾頭即可立即操作。



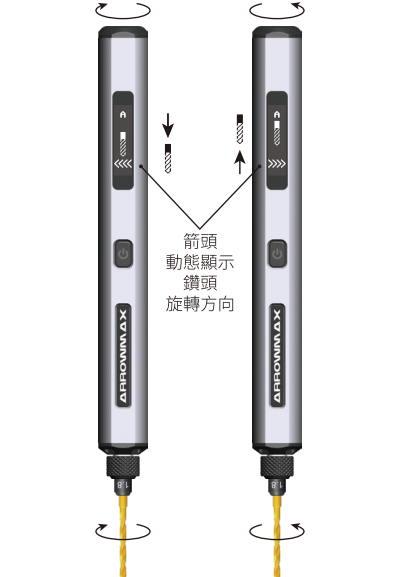
工作狀態

A檔/D檔模式下

- 按住開關鍵, 手勢向右順時針轉動電鑽, 即鑽頭右轉, OLED屏的鑽頭標誌圖往下移動, 同時箭頭標誌動態顯示向右;
- 按住開關鍵, 手勢向左逆時針轉動電鑽, 即鑽頭左轉, OLED屏的鑽頭標誌圖往上移動, 同時箭頭標誌動態顯示向左。

1/2/3檔模式下

- 按住開關鍵, 鑽頭右轉, OLED屏的鑽頭標誌圖往下移動, 同時箭頭標誌動態顯示向右;
- 再按開關鍵, 鑽頭左轉, OLED屏的鑽頭標誌圖往上移動, 同時箭頭標誌動態顯示向左;
- 再按停止。



產品參數

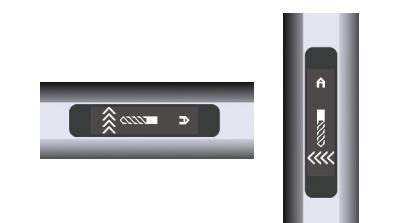
產品型號: SDS PRO	電池電壓: 3.7V
尺寸: 15x15x137mm	鋰電池: 500mAh
重量: 55g	空載轉速: 550r/min
電動最大扭矩: 2.0kgf.cm	充電時長: 80分鐘

產品清單

- 智能迷你電鑽x1
- 鋁合金收納盒x1
- 說明書x1
- 鑽頭x10支:
0.6/0.8/1.0/1.2/1.4/1.5/1.6/1.8/2.0/2.2 mm

▲注意

工作狀態下, 只能以右轉(即正轉)鑽動物件!



購買 SDS PRO PLUS 的用戶

請按以下步驟安裝臺式鑽架:

