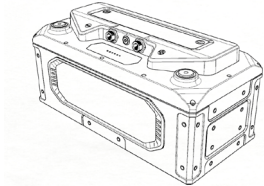
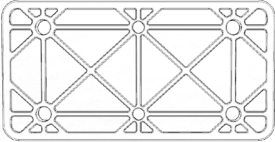
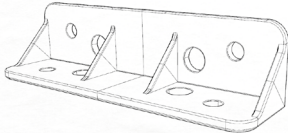

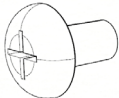


# Pack List

Name	Diagram	Number
Battery	 A detailed line drawing of a rectangular battery pack. It features a top panel with several control knobs and switches, and a front panel with a handle and mounting points.	1
Connection Piece	 A rectangular metal frame with a grid-like structure. It has four circular holes at the corners and several smaller holes along the edges.	0
	 A rectangular metal plate with a central slot and two side slots. It has several circular holes and a small protrusion on the right side.	
Carrying Rope	 A line drawing of a rope with two loops at the ends. One loop is a simple knot, and the other is a more complex knot with a hook-like end.	0
Screw	 A line drawing of a screw with a wide, flat head and a short, cylindrical shaft.	0