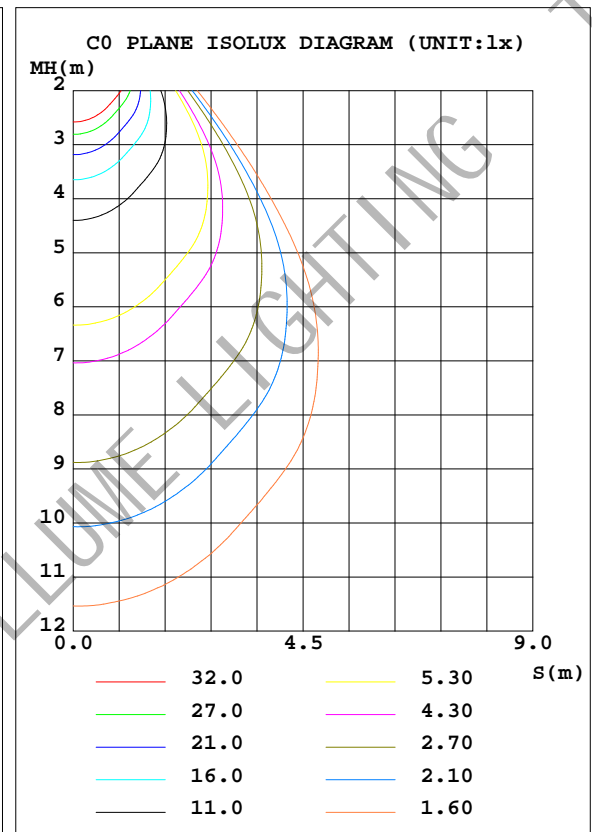
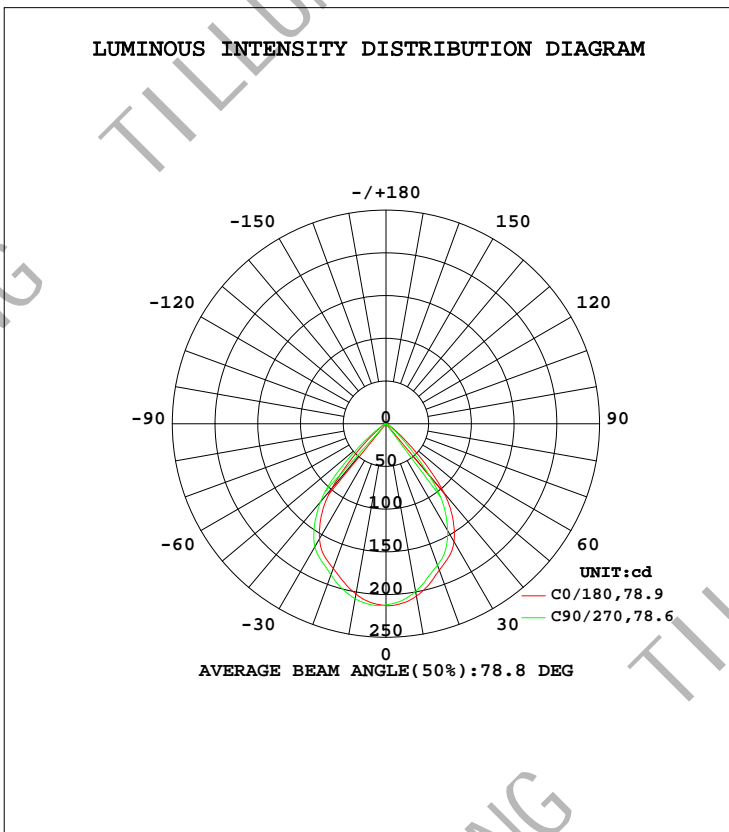


LUMINAIRE PHOTOMETRIC TEST REPORT

Test:U:24.088V I:0.1690A P:4.0701W PF:1.0000 Freq:0Hz Lamp Flux:295.004x1 lm		
NAME:	TYPE:	WEIGHT:
SPEC.:2200K	DIM.:	SERIAL No.:A002-2
MFR.: EVERFINE	SUR.:	Shielding Angle:

DATA OF LAMP		PHOTOMETRIC DATA Eff: 72.48 lm/W			
MODEL		I <sub>max</sub> (cd)	213.1	S/MH(C0/180)	1.11
NOMINAL POWER(W)		LOR(%)	100.0	S/MH(C90/270)	1.18
RATED VOLTAGE(V)		TOTAL FLUX(lm)	295.00	η UP, DN(C0-180)	0.0,47.5
NOMINAL FLUX(lm)	295.004	CIE CLASS	DIRECT	η UP, DN(C180-360)	0.0,52.5
LAMPS INSIDE	1	η up(%)	0.0	CIBSE SHR NOM	1.00
TEST VOLTAGE(V)		η down(%)	100.0	CIBSE SHR MAX	1.15



C Range: 0 - 360DEG  
 C Interval: 22.5DEG  
 Test Speed: HIGH  
 Temperature:24.8DEG  
 Operators:LWQ  
 Test Date:2021-1-9

γ Range: 0 - 90DEG  
 γ Interval: 0.5DEG  
 Test System:EVERFINE GO-SPEC316\_V1 SYSTEM V2.0.366  
 Humidity:40%  
 Test Distance:3.170m [K=1.0000]  
 Remarks:

## ZONAL FLUX DIAGRAM

## ZONAL FLUX DIAGRAM:

$\gamma$	C0	C45	C90	C135	C180	C225	C270	C315	$\gamma$	$\Phi$ zone	$\Phi$ total	%lum,lamp
10	205.0	204.9	199.4	196.9	202.4	203.0	208.1	208.2	0- 10	19.83	19.83	6.72,6.72
20	182.4	182.3	176.2	174.8	180.5	180.8	188.2	188.3	10- 20	54.34	74.17	25.1,25.1
30	159.2	158.2	144.2	140.9	155.6	155.6	166.6	167.3	20- 30	78.50	152.7	51.8,51.8
40	105.6	104.8	78.23	71.44	98.37	98.61	119.3	123.2	30- 40	81.85	234.5	79.5,79.5
50	27.31	26.52	15.72	13.61	22.47	22.49	36.94	41.36	40- 50	45.12	279.6	94.8,94.8
60	5.777	5.419	3.457	3.155	4.444	4.318	6.864	7.598	50- 60	10.93	290.6	98.5,98.5
70	1.830	1.611	1.226	1.096	1.600	1.524	2.271	2.310	60- 70	2.926	293.5	99.5,99.5
80	0.7433	0.7159	0.4338	0.3666	0.7437	0.7015	0.7178	0.7178	70- 80	1.127	294.6	99.9,99.9
90	0	0	0	0	0	0	0.2840	0	80- 90	0.3758	295.0	100,100
100									90-100			
110									100-110			
120									110-120			
130									120-130			
140									130-140			
150									140-150			
160									150-160			
170									160-170			
180									170-180			
DEG	LUMINOUS INTENSITY:cd									UNIT:lm		

Conical surface Flux(90deg): 263.64 lm

%lum = 89.4%

%lamp = 89.4%

Conical surface Flux(120deg): 290.58 lm

%lum = 98.5%

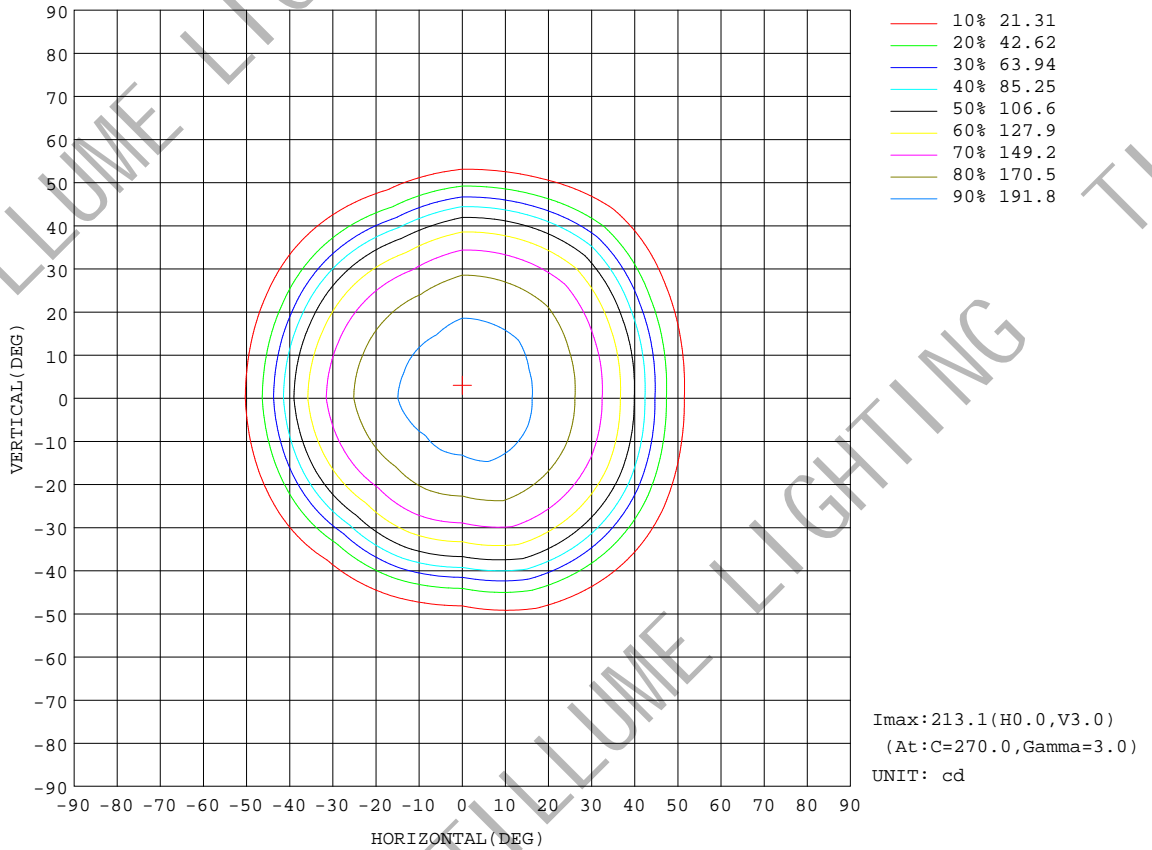
%lamp = 98.5%

C Range: 0 - 360DEG  
 C Interval: 22.5DEG  
 Test Speed: HIGH  
 Temperature:24.8DEG  
 Operators:LWQ  
 Test Date:2021-1-9

$\gamma$  Range: 0 - 90DEG  
 $\gamma$  Interval: 0.5DEG  
 Test System:EVERFINE GO-SPEC316\_V1 SYSTEM V2.0.366  
 Humidity:40%  
 Test Distance:3.170m [K=1.0000]  
 Remarks:

ISOCANDELA DIAGRAM

Test:U:24.088V I:0.1690A P:4.0701W PF:1.0000 Freq:0Hz Lamp Flux:295.004x1 lm		
NAME:	TYPE:	WEIGHT:
SPEC.:2200K	DIM.:	SERIAL No.:A002-2
MFR.: EVERFINE	SUR.:	Shielding Angle:

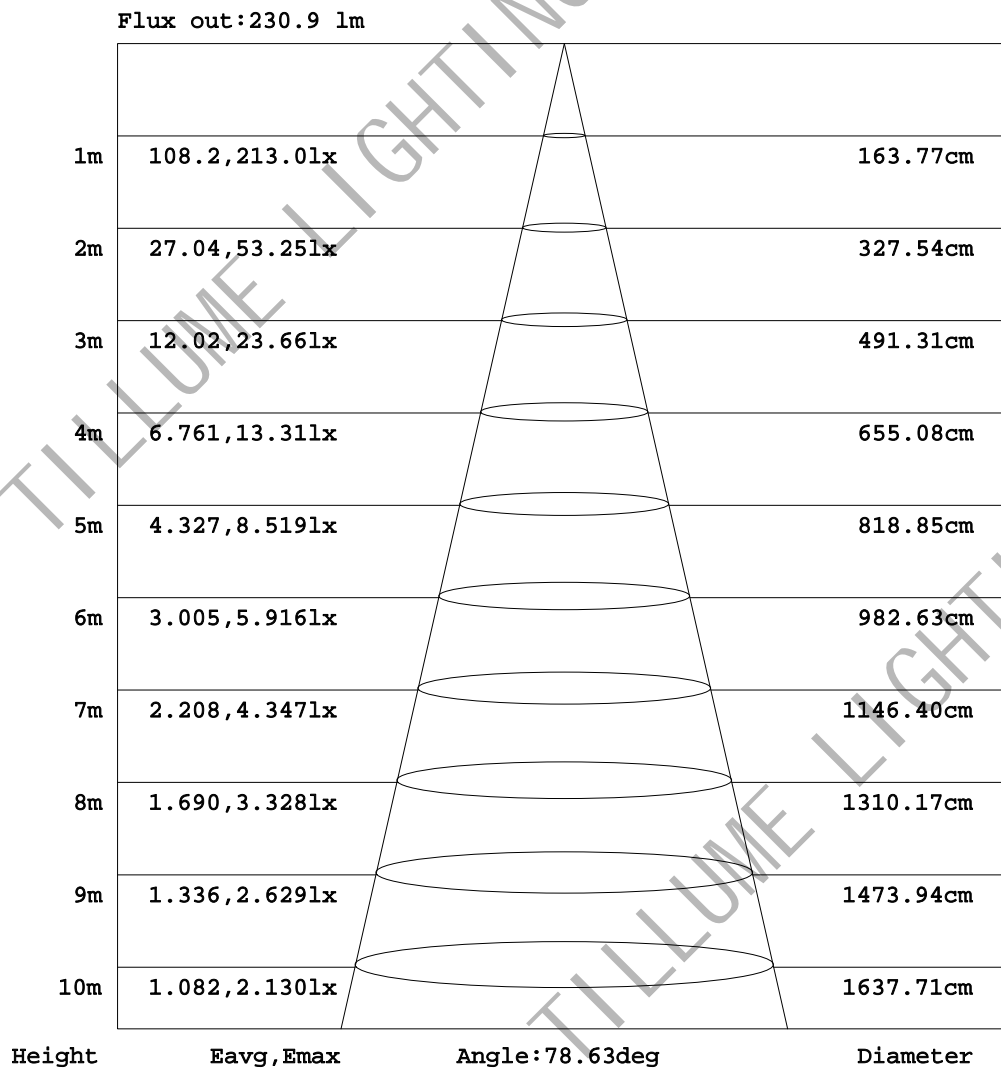


C Range: 0 - 360DEG  
 C Interval: 22.5DEG  
 Test Speed: HIGH  
 Temperature: 24.8DEG  
 Operators: LWQ  
 Test Date: 2021-1-9

γ Range: 0 - 90DEG  
 γ Interval: 0.5DEG  
 Test System: EVERFINE GO-SPEC316\_V1 SYSTEM V2.0.366  
 Humidity: 40%  
 Test Distance: 3.170m [K=1.0000]  
 Remarks:

AAI Figure

Test:U:24.088V I:0.1690A P:4.0701W PF:1.0000 Freq:0Hz Lamp Flux:295.004x1 lm		
NAME:	TYPE:	WEIGHT:
SPEC.:2200K	DIM.:	SERIAL No.:A002-2
MFR.: EVERFINE	SUR.:	Shielding Angle:



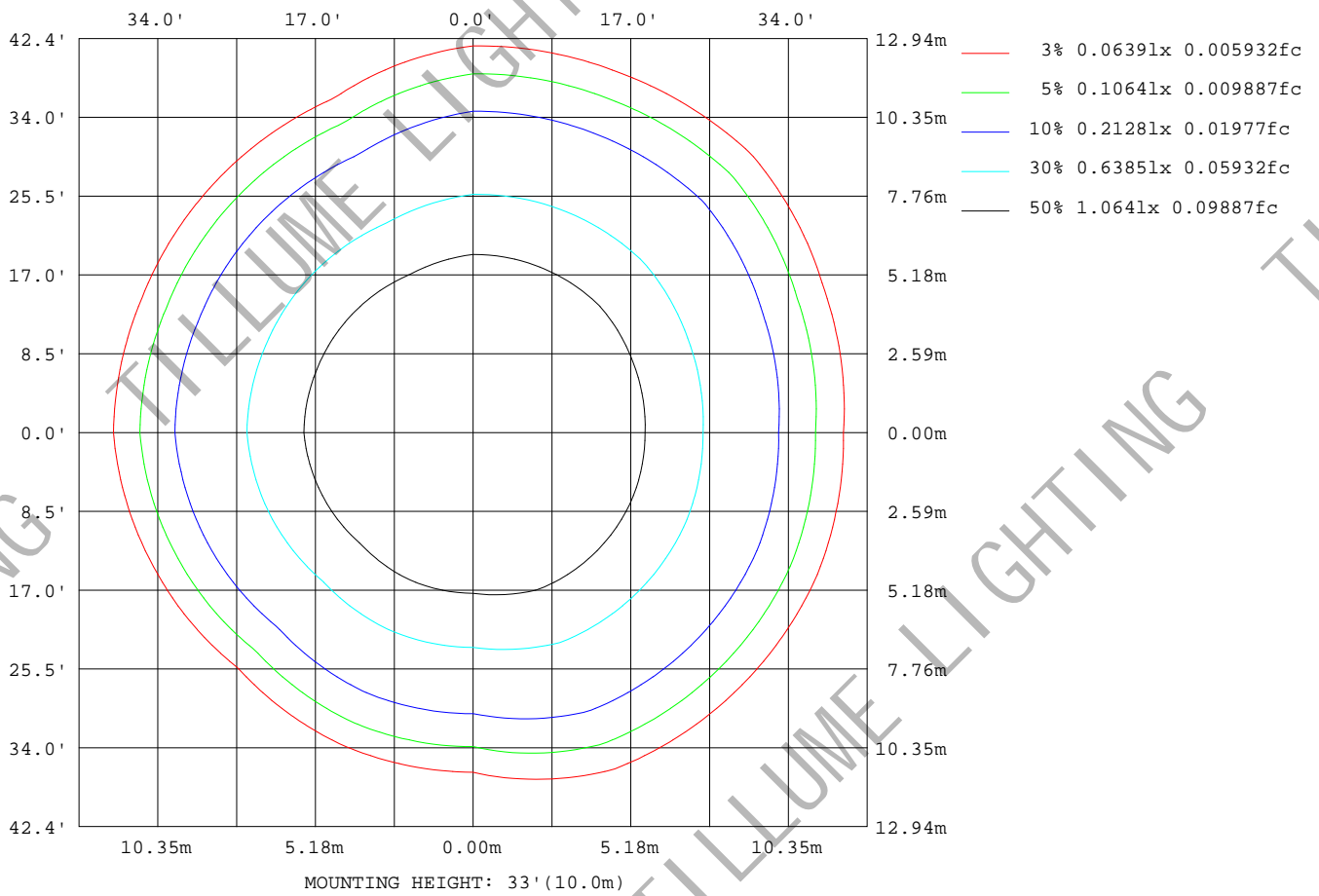
Note:The Curves indicate the illuminated area and the average illumination when the luminaire is at different distance.

C Range: 0 - 360DEG  
 C Interval: 22.5DEG  
 Test Speed: HIGH  
 Temperature:24.8DEG  
 Operators:LWQ  
 Test Date:2021-1-9

γ Range: 0 - 90DEG  
 γ Interval: 0.5DEG  
 Test System:EVERFINE GO-SPEC316\_V1 SYSTEM V2.0.366  
 Humidity:40%  
 Test Distance:3.170m [K=1.0000]  
 Remarks:

ISOLUX DIAGRAM

Test:U:24.088V I:0.1690A P:4.0701W PF:1.0000 Freq:0Hz Lamp Flux:295.004x1 lm		
NAME:	TYPE:	WEIGHT:
SPEC.:2200K	DIM.:	SERIAL No.:A002-2
MFR.: EVERFINE	SUR.:	Shielding Angle:



C Range: 0 - 360DEG  
 C Interval: 22.5DEG  
 Test Speed: HIGH  
 Temperature:24.8DEG  
 Operators:LWQ  
 Test Date:2021-1-9

γ Range: 0 - 90DEG  
 γ Interval: 0.5DEG  
 Test System:EVERFINE GO-SPEC316\_V1 SYSTEM V2.0.366  
 Humidity:40%  
 Test Distance:3.170m [K=1.0000]  
 Remarks:

## LED Avg.L Report

Test:U:24.088V I:0.1690A P:4.0701W PF:1.0000 Freq:0Hz Lamp Flux:295.004x1 lm		
NAME:	TYPE:	WEIGHT:
SPEC.:2200K	DIM.:	SERIAL No.:A002-2
MFR.: EVERFINE	SUR.:	Shielding Angle:

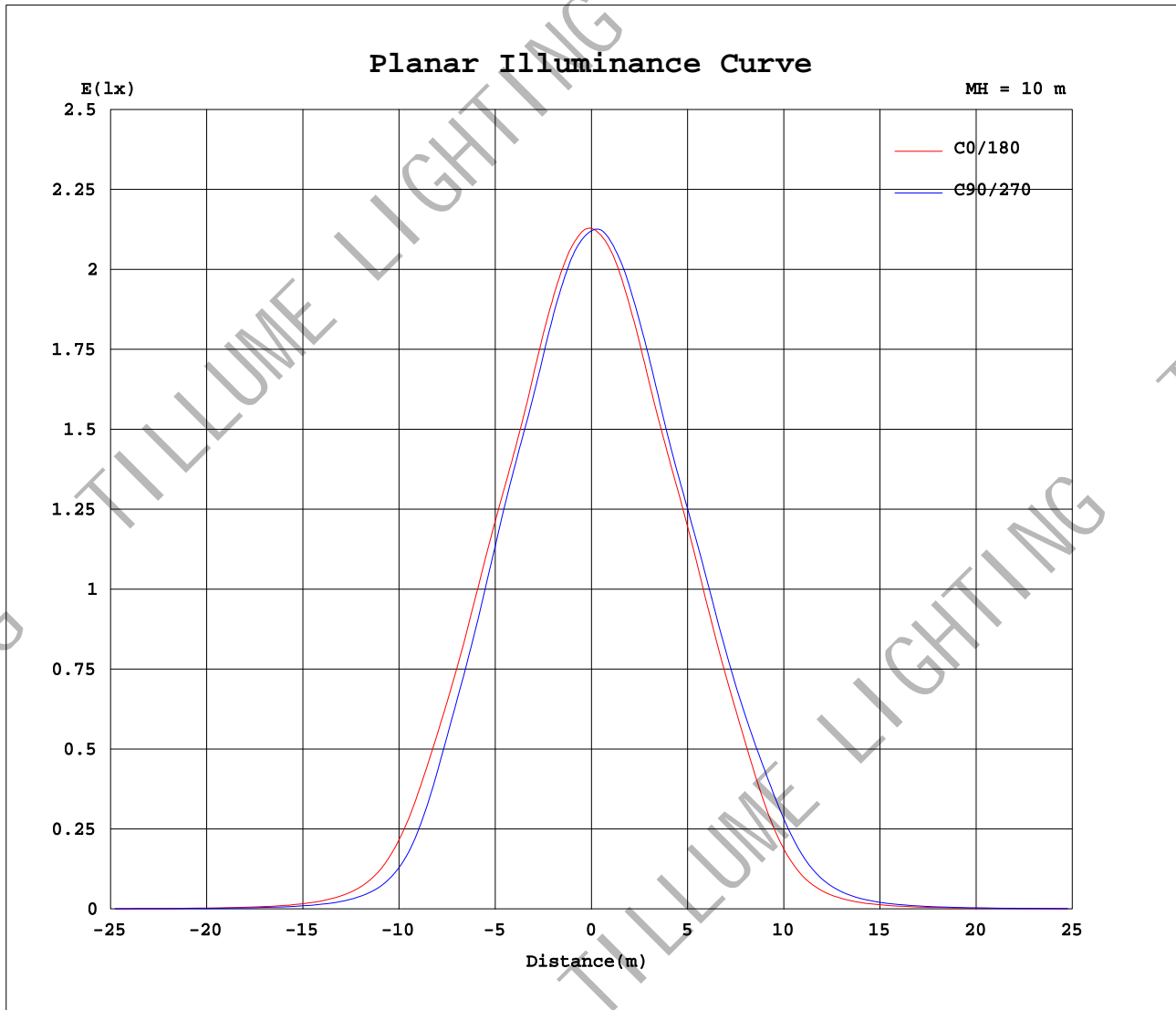
AvgL	cd/m2
L_0~180(65)av	2594
L_0~180(75)av	1388
L_0~180(85)av	2413
L_90~270(65)av	2595
L_90~270(75)av	1968
L_90~270(85)av	1451
L_45(65)av	2504
L_45(75)av	1602
L_45(85)av	1234

Standard: GB/T 29293-2012

C Range: 0 - 360DEG  
 C Interval: 22.5DEG  
 Test Speed: HIGH  
 Temperature:24.8DEG  
 Operators:LWQ  
 Test Date:2021-1-9

$\gamma$  Range: 0 - 90DEG  
 $\gamma$  Interval: 0.5DEG  
 Test System:EVERFINE GO-SPEC316\_V1 SYSTEM V2.0.366  
 Humidity:40%  
 Test Distance:3.170m [K=1.0000]  
 Remarks:

Planar Illuminance Curve



C Range: 0 - 360DEG  
 C Interval: 22.5DEG  
 Test Speed: HIGH  
 Temperature: 24.8DEG  
 Operators: LWQ  
 Test Date: 2021-1-9

$\gamma$  Range: 0 - 90DEG  
 $\gamma$  Interval: 0.5DEG  
 Test System: EVERFINE GO-SPEC316\_V1 SYSTEM V2.0.366  
 Humidity: 40%  
 Test Distance: 3.170m [K=1.0000]  
 Remarks:

LUMINOUS DISTRIBUTION INTENSITY DATA

Test:U:24.088V I:0.1690A P:4.0701W PF:1.0000 Freq:0Hz Lamp Flux:295.004x1 lm		
NAME:	TYPE:	WEIGHT:
SPEC.:2200K	DIM.:	SERIAL No.:A002-2
MFR.: EVERFINE	SUR.:	Shielding Angle:

Table--1

UNIT: cd

C( DEG) γ (DEG)	0	22.5	45	67.5	90	112.5	135	157.5	180	202.5	225	247.5	270	292.5	315	337.5			
0	213	213	213	213	212	212	211	211	213	213	213	213	212	212	211	211			
5	211	211	211	210	208	208	206	207	210	210	210	210	212	212	212	210			
10	205	205	205	205	199	199	197	199	202	202	203	204	208	208	208	205			
15	195	195	195	194	187	187	185	188	192	191	193	194	200	200	200	196			
20	182	183	182	182	176	176	175	178	180	180	181	182	188	188	188	184			
25	173	173	172	172	164	164	162	166	171	171	171	172	178	178	178	174			
30	159	160	158	157	144	144	141	148	156	155	156	157	167	167	167	162			
35	137	138	136	134	118	118	114	123	132	131	132	133	146	147	149	141			
40	106	108	105	102	78.2	78.2	71.4	85.6	98.4	96.4	98.6	101	119	122	123	113			
45	61.1	63.3	60.1	56.8	36.6	36.4	32.3	42.3	53.1	51.4	53.3	55.8	79.7	81.9	85.0	70.0			
50	27.3	28.3	26.5	24.8	15.7	15.4	13.6	17.7	22.5	21.6	22.5	23.6	36.9	38.0	41.4	32.1			
55	12.1	12.4	11.6	11.0	7.14	7.01	6.06	7.61	9.44	9.42	9.39	10.1	15.4	15.7	17.3	13.9			
60	5.78	5.85	5.42	5.16	3.46	3.35	3.15	3.90	4.44	4.35	4.32	4.90	6.86	7.04	7.60	6.17			
65	3.00	2.99	2.79	2.56	2.08	2.05	1.85	2.42	2.50	2.49	2.46	2.58	3.42	3.44	3.51	3.27			
70	1.83	1.74	1.61	1.55	1.23	1.42	1.10	1.83	1.60	1.62	1.52	1.63	2.27	2.31	2.31	1.86			
75	0.92	0.87	0.87	0.81	0.75	0.74	0.74	0.73	0.88	0.88	0.81	0.88	1.81	1.80	1.74	1.17			
80	0.74	0.73	0.72	0.62	0.43	0.47	0.37	0.70	0.74	0.74	0.70	0.73	0.72	0.73	0.72	0.74			
85	0.42	0.27	0.00	0.00	0.00	0.00	0.00	0.42	0.63	0.63	0.45	0.41	0.63	0.57	0.63	0.52			
90	0.00	0.00	0.00	0.00	0.00	0.00	0.00	0.00	0.00	0.00	0.00	0.00	0.28	0.00	0.00	0.00			

C Range: 0 - 360DEG  
 C Interval: 22.5DEG  
 Test Speed: HIGH  
 Temperature:24.8DEG  
 Operators:LWQ  
 Test Date:2021-1-9

γ Range: 0 - 90DEG  
 γ Interval: 0.5DEG  
 Test System:EVERFINE GO-SPEC316\_V1 SYSTEM V2.0.366  
 Humidity:40%  
 Test Distance:3.170m [K=1.0000]  
 Remarks: