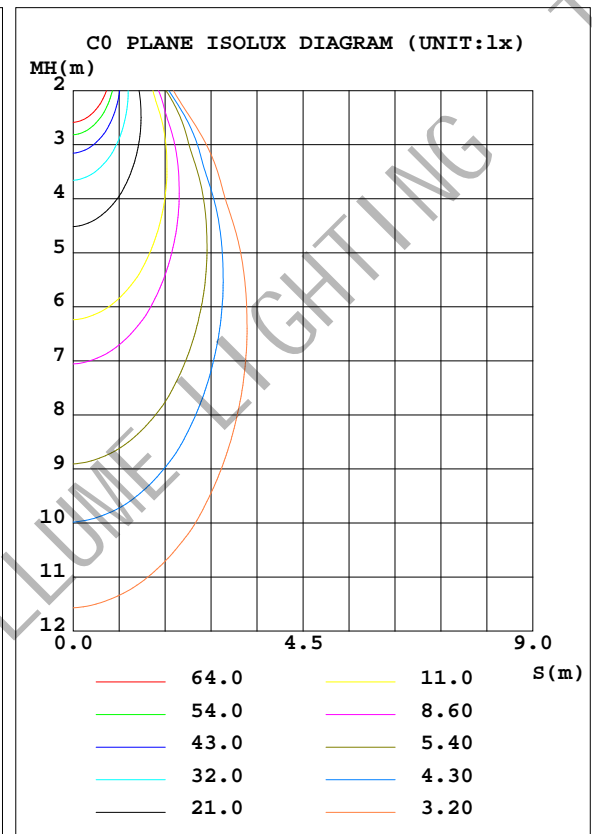
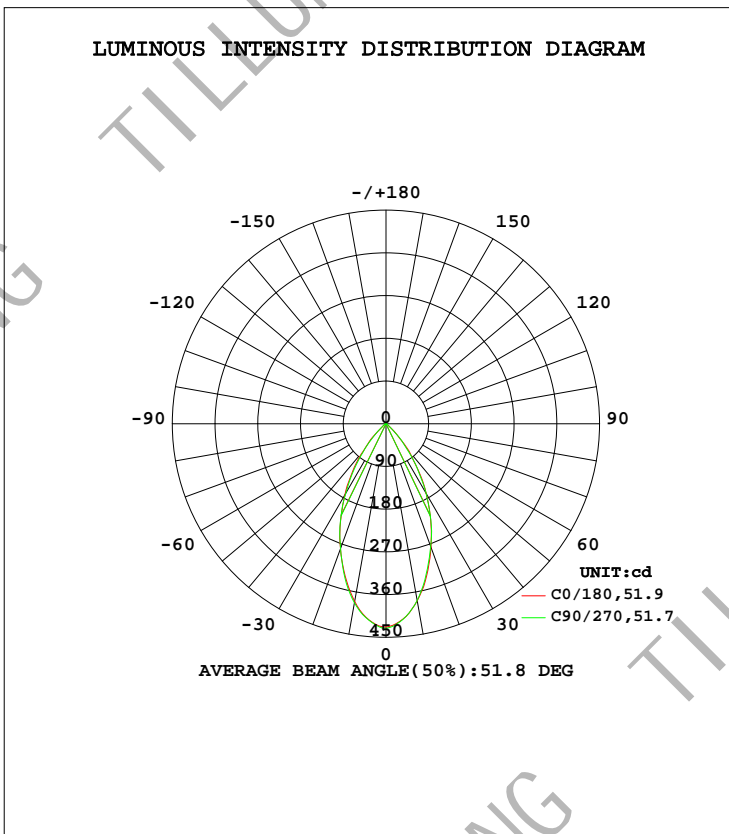


LUMINAIRE PHOTOMETRIC TEST REPORT

Test:U:24.007V I:0.2927A P:6.1221W PF:0.8712 Freq:0Hz Lamp Flux:346.111x1 lm		
NAME:	TYPE:	WEIGHT:
SPEC.:2200K	DIM.:	SERIAL No.:红+黄
MFR.: EVERFINE	SUR.:	Shielding Angle:

DATA OF LAMP		PHOTOMETRIC DATA Eff: 56.53 lm/W			
MODEL		I _{max} (cd)	431.3	S/MH(C0/180)	0.79
NOMINAL POWER(W)		LOR(%)	100.0	S/MH(C90/270)	0.78
RATED VOLTAGE(V)		TOTAL FLUX(lm)	346.11	η UP, DN(C0-180)	0.0,50.2
NOMINAL FLUX(lm)	346.111	CIE CLASS	DIRECT	η UP, DN(C180-360)	0.0,49.8
LAMPS INSIDE	1	η up(%)	0.0	CIBSE SHR NOM	0.75
TEST VOLTAGE(V)		η down(%)	100.0	CIBSE SHR MAX	0.85



C Range: 0 - 360DEG
 C Interval: 22.5DEG
 Test Speed: HIGH
 Temperature:25DEG
 Operators:HHC
 Test Date:2020-11-29

γ Range: 0 - 90DEG
 γ Interval: 1.0DEG
 Test System:EVERFINE GO-SPEC316_V1 SYSTEM V2.0.366
 Humidity:45%
 Test Distance:3.170m [K=1.0000]
 Remarks:

ZONAL FLUX DIAGRAM

ZONAL FLUX DIAGRAM:

γ	C0	C45	C90	C135	C180	C225	C270	C315	γ	Φ zone	Φ total	%lum,lamp
10	378.8	386.3	378.4	376.8	380.4	373.4	383.0	382.5	0- 10	38.45	38.45	11.1,11.1
20	277.1	288.3	275.8	273.7	280.8	268.8	280.0	286.0	10- 20	92.28	130.7	37.8,37.8
30	169.8	182.0	169.6	169.6	173.7	163.5	170.5	173.1	20- 30	102.7	233.4	67.4,67.4
40	75.53	79.20	65.69	72.46	72.83	64.27	69.83	77.92	30- 40	74.20	307.6	88.9,88.9
50	10.34	12.70	10.25	10.25	11.85	10.87	14.35	11.33	40- 50	28.32	335.9	97,97
60	3.737	4.058	3.522	3.358	3.864	3.915	4.623	4.143	50- 60	5.918	341.8	98.8,98.8
70	1.556	2.007	1.993	1.655	1.636	1.582	1.786	1.878	60- 70	2.624	344.4	99.5,99.5
80	0.7172	0.7439	0.7711	0.7302	0.7424	0.7023	0.7440	0.7570	70- 80	1.267	345.7	99.9,99.9
90	0	0	0	0	0	0	0	0	80- 90	0.4061	346.1	100,100
100									90-100			
110									100-110			
120									110-120			
130									120-130			
140									130-140			
150									140-150			
160									150-160			
170									160-170			
180									170-180			
DEG	LUMINOUS INTENSITY:cd									UNIT:lm		

Conical surface Flux(90deg): 327.21 lm

%lum = 94.5%
 %lamp = 94.5%

Conical surface Flux(120deg): 341.81 lm

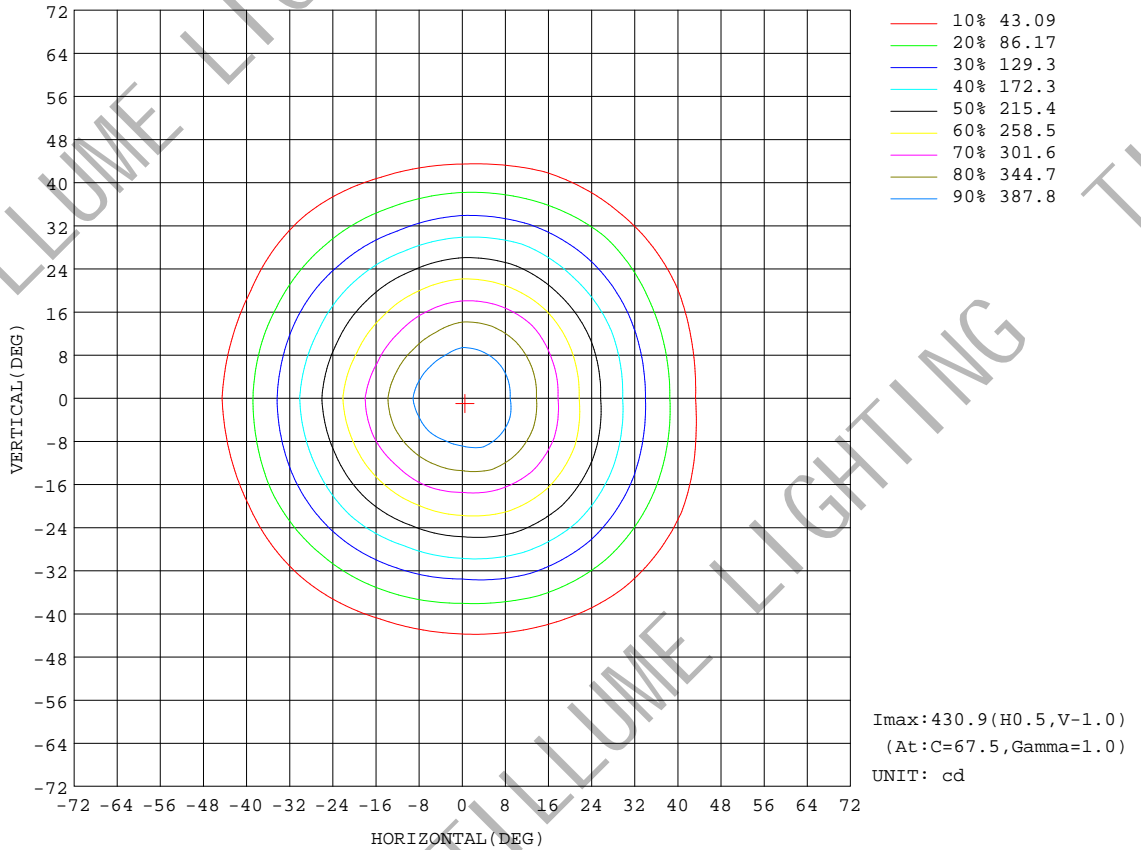
%lum = 98.8%
 %lamp = 98.8%

C Range: 0 - 360DEG
 C Interval: 22.5DEG
 Test Speed: HIGH
 Temperature:25DEG
 Operators:HHC
 Test Date:2020-11-29

γ Range: 0 - 90DEG
 γ Interval: 1.0DEG
 Test System:EVERFINE GO-SPEC316_V1 SYSTEM V2.0.366
 Humidity:45%
 Test Distance:3.170m [K=1.0000]
 Remarks:

ISOCANDELA DIAGRAM

Test:U:24.007V I:0.2927A P:6.1221W PF:0.8712 Freq:0Hz Lamp Flux:346.111x1 lm		
NAME:	TYPE:	WEIGHT:
SPEC.:2200K	DIM.:	SERIAL No.:红+黄
MFR.: EVERFINE	SUR.:	Shielding Angle:

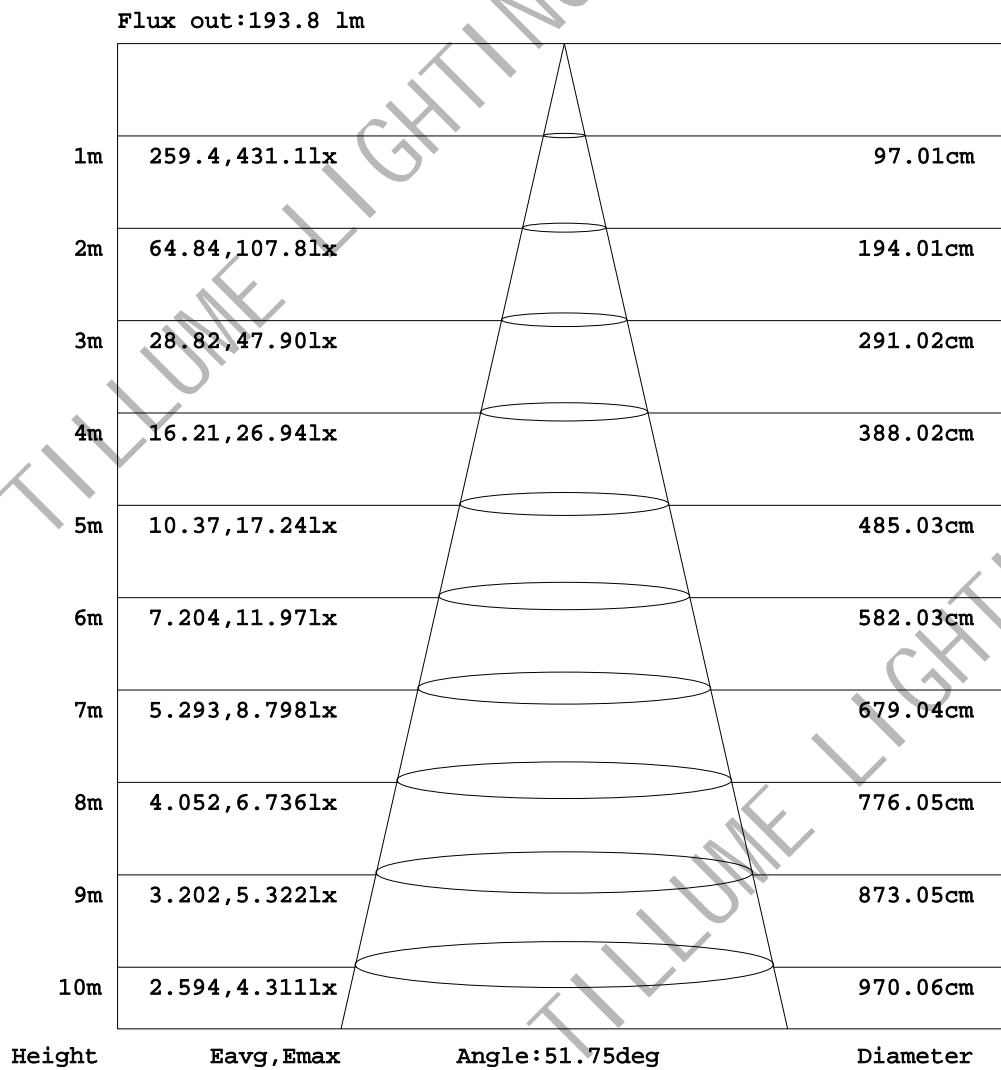


C Range: 0 - 360DEG
 C Interval: 22.5DEG
 Test Speed: HIGH
 Temperature: 25DEG
 Operators: HHC
 Test Date: 2020-11-29

γ Range: 0 - 90DEG
 γ Interval: 1.0DEG
 Test System: EVERFINE GO-SPEC316_V1 SYSTEM V2.0.366
 Humidity: 45%
 Test Distance: 3.170m [K=1.0000]
 Remarks:

AAI Figure

Test:U:24.007V I:0.2927A P:6.1221W PF:0.8712 Freq:0Hz Lamp Flux:346.111x1 lm		
NAME:	TYPE:	WEIGHT:
SPEC.: 2200K	DIM.:	SERIAL No.:红+黄
MFR.: EVERFINE	SUR.:	Shielding Angle:



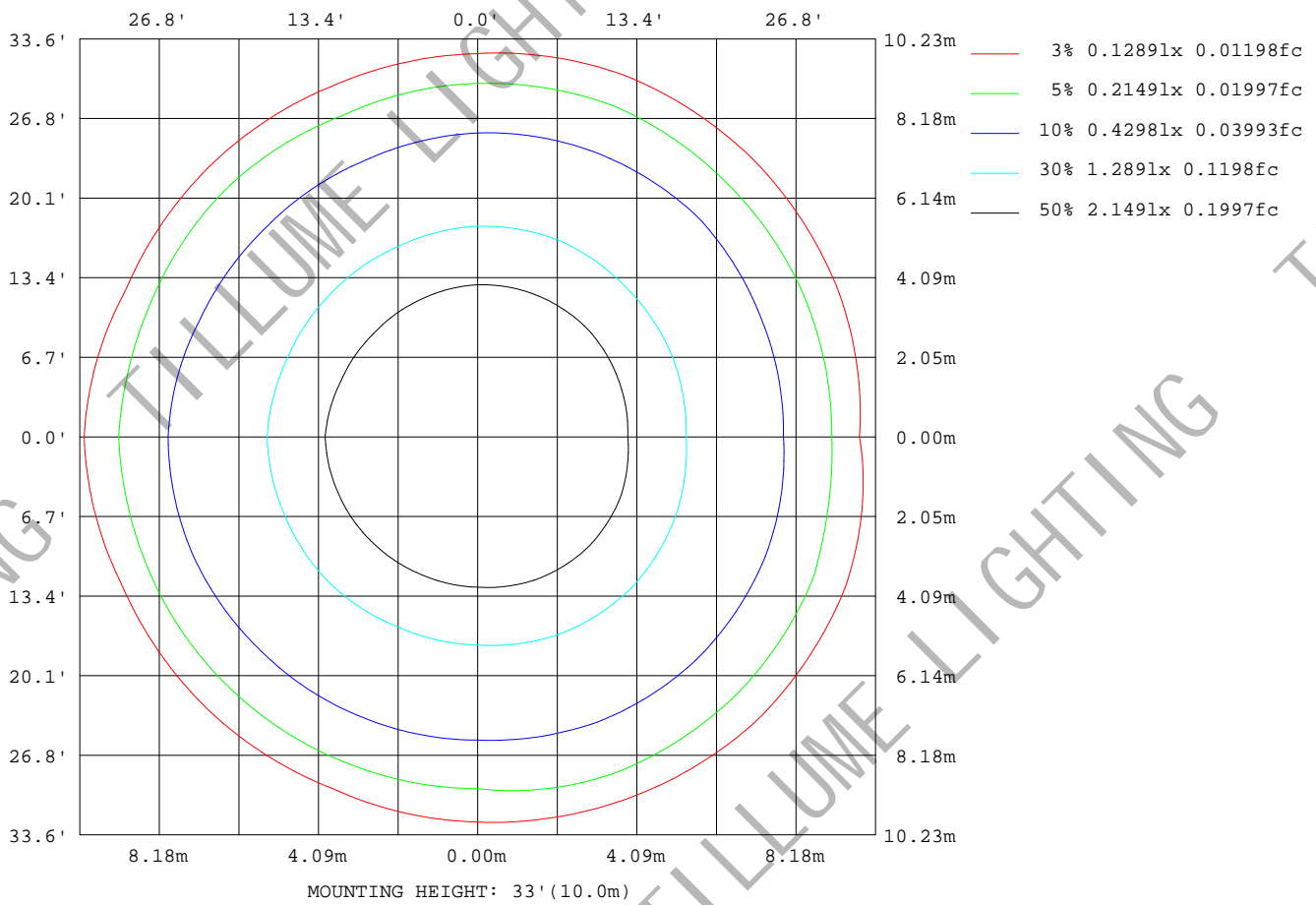
Note:The Curves indicate the illuminated area and the average illumination when the luminaire is at different distance.

C Range: 0 - 360DEG
 C Interval: 22.5DEG
 Test Speed: HIGH
 Temperature:25DEG
 Operators:HHC
 Test Date:2020-11-29

γ Range: 0 - 90DEG
 γ Interval: 1.0DEG
 Test System:EVERFINE GO-SPEC316_V1 SYSTEM V2.0.366
 Humidity:45%
 Test Distance:3.170m [K=1.0000]
 Remarks:

ISOLUX DIAGRAM

Test:U:24.007V I:0.2927A P:6.1221W PF:0.8712 Freq:0Hz Lamp Flux:346.111x1 lm		
NAME:	TYPE:	WEIGHT:
SPEC.:2200K	DIM.:	SERIAL No.:红+黄
MFR.: EVERFINE	SUR.:	Shielding Angle:



C Range: 0 - 360DEG
 C Interval: 22.5DEG
 Test Speed: HIGH
 Temperature:25DEG
 Operators:HHC
 Test Date:2020-11-29

γ Range: 0 - 90DEG
 γ Interval: 1.0DEG
 Test System:EVERFINE GO-SPEC316_V1 SYSTEM V2.0.366
 Humidity:45%
 Test Distance:3.170m [K=1.0000]
 Remarks:

LED Avg.L Report

Test:U:24.007V I:0.2927A P:6.1221W PF:0.8712 Freq:0Hz Lamp Flux:346.111x1 lm		
NAME:	TYPE:	WEIGHT:
SPEC.:2200K	DIM.:	SERIAL No.:红+黄
MFR.: EVERFINE	SUR.:	Shielding Angle:

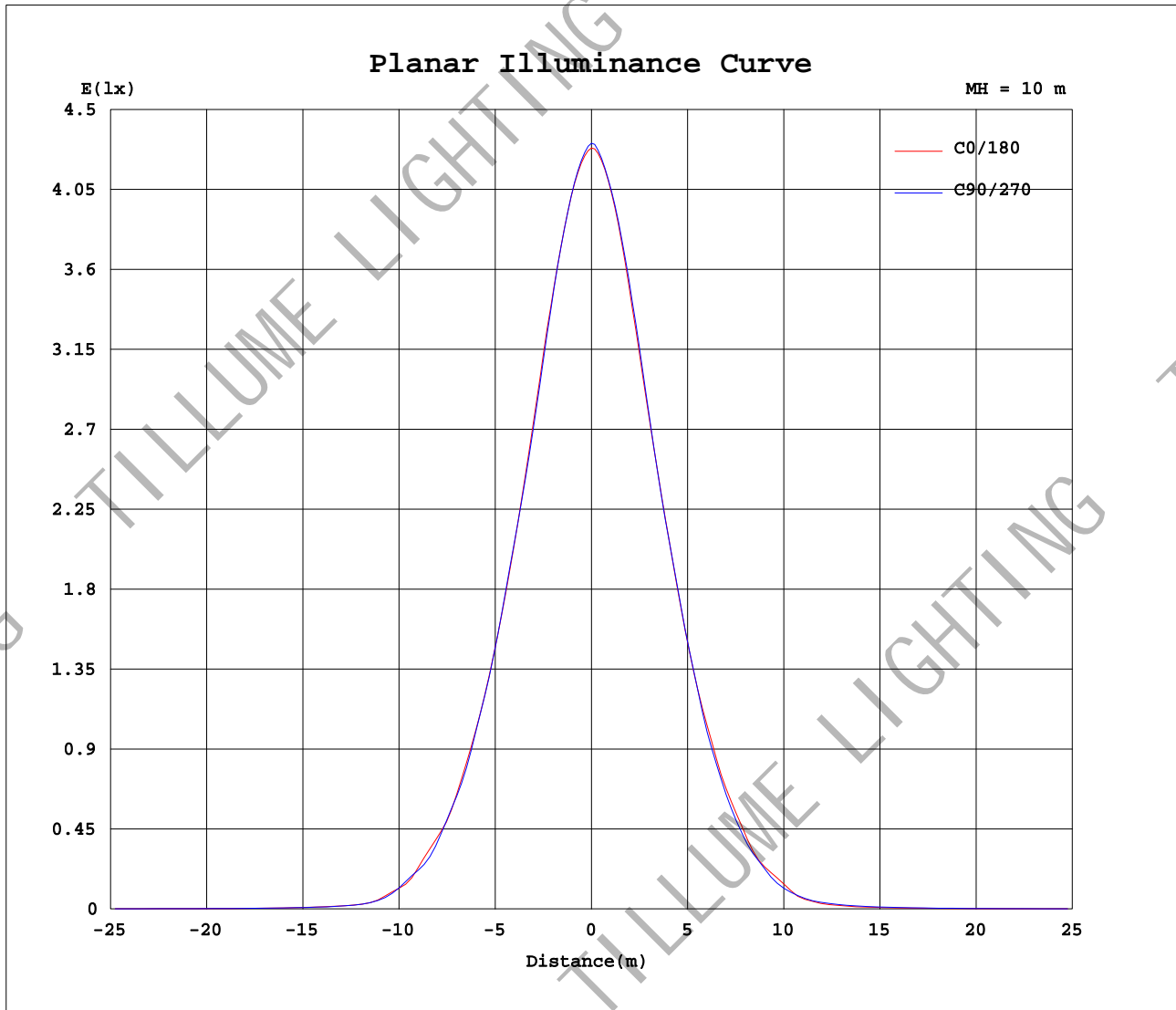
AvgL	cd/m2
L_0~180(65)av	2316
L_0~180(75)av	1389
L_0~180(85)av	844
L_90~270(65)av	2564
L_90~270(75)av	2764
L_90~270(85)av	2578
L_45(65)av	2338
L_45(75)av	1677
L_45(85)av	1269

Standard: GB/T 29293-2012

C Range: 0 - 360DEG
 C Interval: 22.5DEG
 Test Speed: HIGH
 Temperature:25DEG
 Operators:HHC
 Test Date:2020-11-29

γ Range: 0 - 90DEG
 γ Interval: 1.0DEG
 Test System:EVERFINE GO-SPEC316_V1 SYSTEM V2.0.366
 Humidity:45%
 Test Distance:3.170m [K=1.0000]
 Remarks:

Planar Illuminance Curve



C Range: 0 - 360DEG
C Interval: 22.5DEG
Test Speed: HIGH
Temperature: 25DEG
Operators: HHC
Test Date: 2020-11-29

γ Range: 0 - 90DEG
 γ Interval: 1.0DEG
Test System: EVERFINE GO-SPEC316_V1 SYSTEM V2.0.366
Humidity: 45%
Test Distance: 3.170m [K=1.0000]
Remarks:

LUMINOUS DISTRIBUTION INTENSITY DATA

Test:U:24.007V I:0.2927A P:6.1221W PF:0.8712 Freq:0Hz Lamp Flux:346.111x1 lm		
NAME:	TYPE:	WEIGHT:
SPEC.:2200K	DIM.:	SERIAL No.:红+黄
MFR.: EVERFINE	SUR.:	Shielding Angle:

Table--1

UNIT: cd

C(DEG) γ (DEG)	0	22.5	45	67.5	90	112.5	135	157.5	180	202.5	225	247.5	270	292.5	315	337.5			
0	428	429	430	431	431	430	430	430	428	429	430	431	431	430	430	430			
5	413	416	418	417	414	412	412	413	415	411	410	412	415	416	416	414			
10	379	385	386	387	378	375	377	378	380	376	373	375	383	383	383	381			
15	331	337	339	337	328	328	328	332	332	324	321	326	335	339	339	335			
20	277	286	288	283	276	274	274	277	281	271	269	274	280	284	286	281			
25	223	233	236	234	223	219	222	222	227	219	217	219	228	230	228	226			
30	170	178	182	178	170	165	170	170	174	166	164	162	171	178	173	174			
35	117	126	128	125	116	113	119	121	123	115	111	111	117	122	122	122			
40	75.5	75.8	79.2	78.1	65.7	70.8	72.5	78.2	72.8	72.3	64.3	62.0	69.8	75.5	77.9	73.8			
45	33.1	42.9	42.4	37.8	33.7	31.5	33.0	34.5	39.9	32.5	30.0	30.4	33.2	37.2	37.6	36.8			
50	10.3	12.1	12.7	12.3	10.2	9.72	10.2	10.2	11.8	10.7	10.9	12.6	14.3	13.7	11.3	11.3			
55	5.94	6.05	6.08	6.01	5.82	5.31	5.28	5.78	5.86	5.92	5.89	7.13	7.71	7.59	6.51	6.22			
60	3.74	3.98	4.06	4.05	3.52	3.40	3.36	3.47	3.86	3.52	3.92	4.25	4.62	4.35	4.14	4.14			
65	2.45	2.43	2.54	2.56	2.52	2.46	2.43	2.42	2.46	2.46	2.42	2.63	2.92	2.72	2.51	2.46			
70	1.56	1.76	2.01	1.83	1.99	1.61	1.65	1.55	1.64	1.63	1.58	2.00	1.79	1.83	1.88	1.64			
75	0.91	1.07	1.53	1.83	1.78	0.95	0.91	0.90	0.89	0.89	0.88	1.08	1.81	1.68	1.04	0.97			
80	0.72	0.76	0.74	0.76	0.77	0.72	0.73	0.70	0.74	0.72	0.70	0.74	0.74	0.75	0.76	0.74			
85	0.37	0.48	0.56	0.59	0.47	0.00	0.01	0.00	0.00	0.00	0.00	0.33	0.66	0.66	0.54	0.45			
90	0.00	0.30	0.00	0.32	0.00	0.00	0.00	0.00	0.00	0.00	0.00	0.00	0.00	0.00	0.00	0.00			

C Range: 0 - 360DEG
 C Interval: 22.5DEG
 Test Speed: HIGH
 Temperature:25DEG
 Operators:HHC
 Test Date:2020-11-29

γ Range: 0 - 90DEG
 γ Interval: 1.0DEG
 Test System:EVERFINE GO-SPEC316_V1 SYSTEM V2.0.366
 Humidity:45%
 Test Distance:3.170m [K=1.0000]
 Remarks: