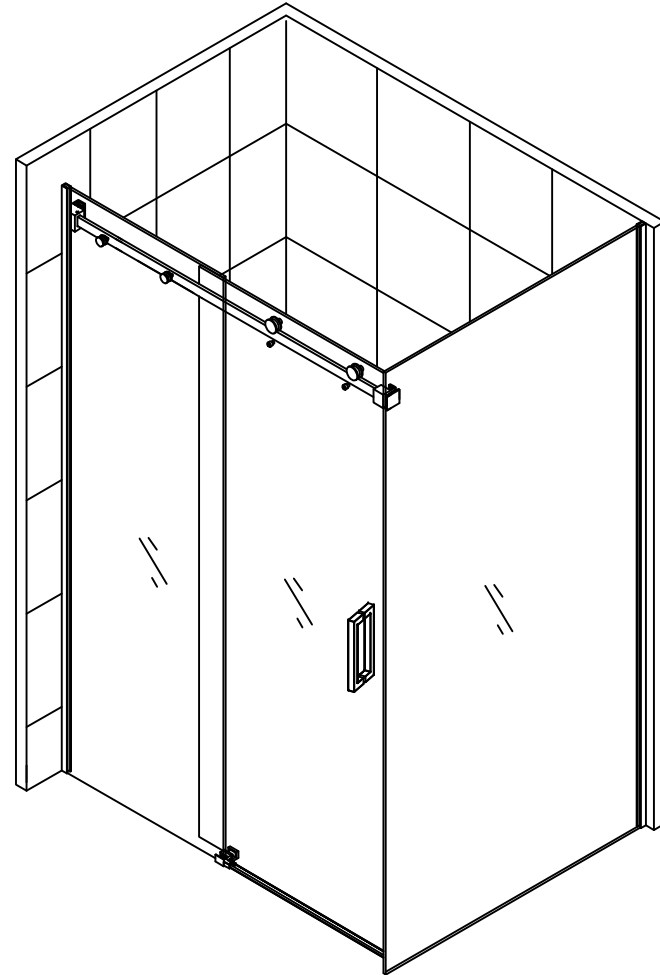


SHOWER ENCLOSURE

INSTALLATION INSTRUCTIONS

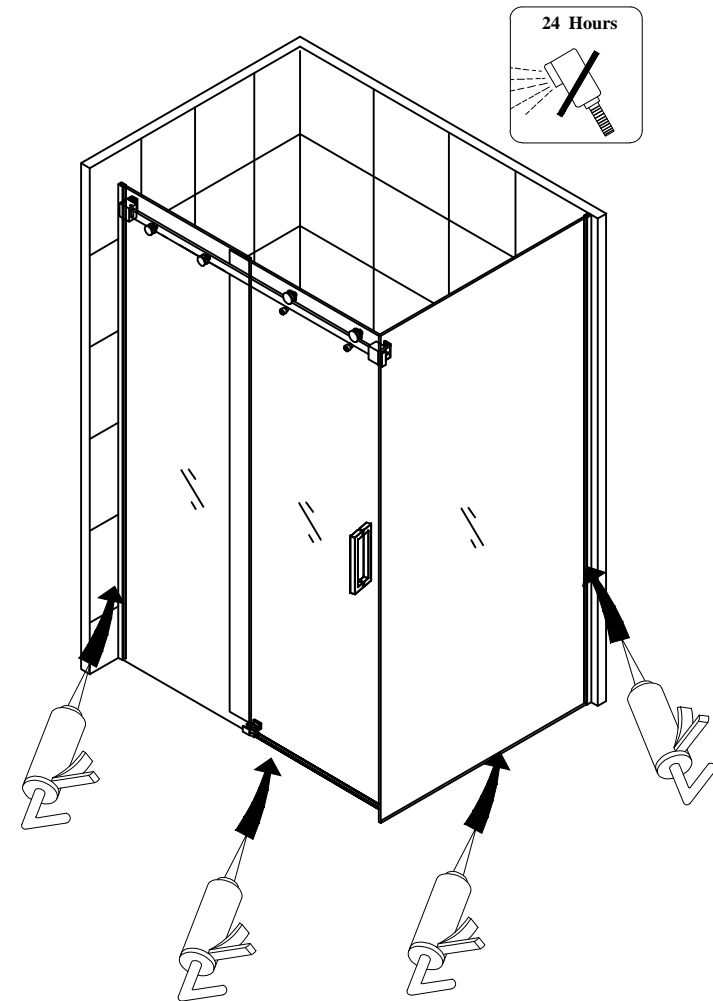
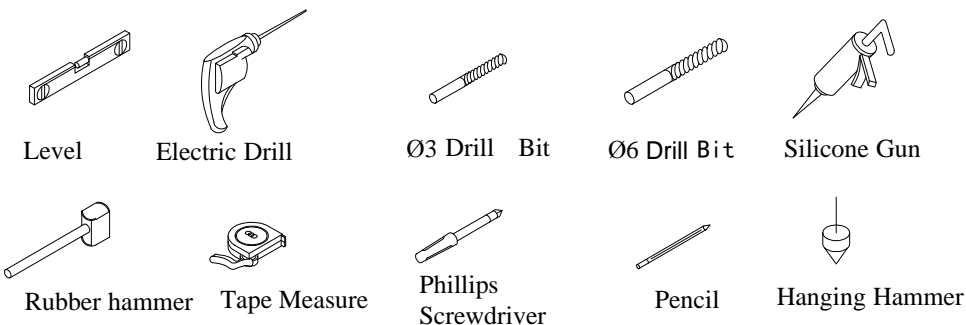


MODEL: CVP031

IMPORTANT

1. Prior to installation, examine all boxes and packages for shipping damage and compare the piece count with your packing slip. After opening all boxes and packages read this introduction carefully. Check that all of the needed parts are included in the package by checking off the components on the "Detailed Diagram of Shower Enclosure Components". If the unit has been damaged, has a finishing defect, or has missing parts, please contact the supplier for replacements with 3 Business days. Please note that Supplier will not replace any damaged products or missing parts free of charge after 3 business days or if the product has been installed.
2. Prior to installation, please ensure that the surface is level and solid and will be able to support the total weight of the unit. Also make sure that the walls are plumb. Depending on the type of unit you are installing, some adjustments in leveling may be possible. However, irregular installation surface level or out-of-square conditions can result in serious problems for your installation. Please note that some adjustments and drilling may be necessary. Please protect all primary surfaces of the product during installation.
3. Note: This door is reversible for right or left-hand door installation. The right-hand door installation is shown as an example throughout this manual. For the left-hand door installation, simply begin on the opposite wall and reverse the orientation of the steps shown.

Tools Required

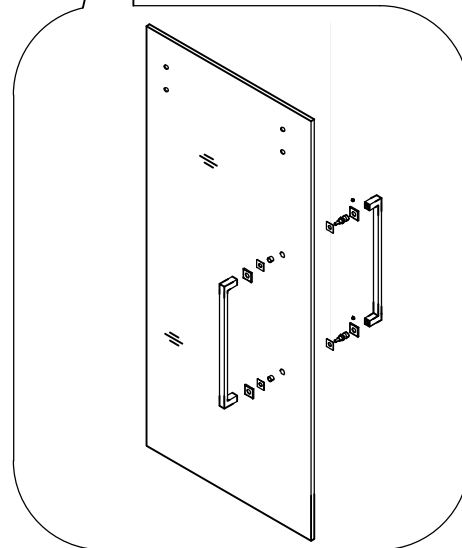
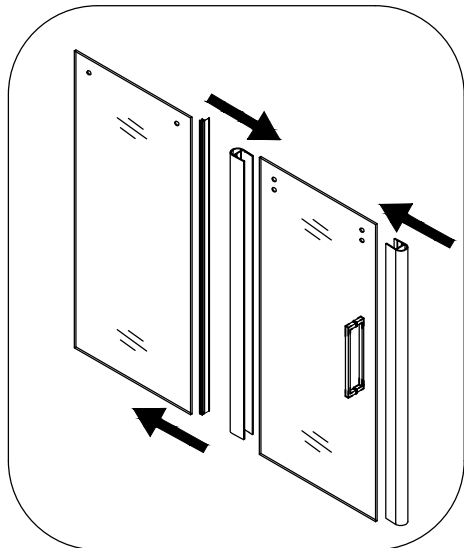
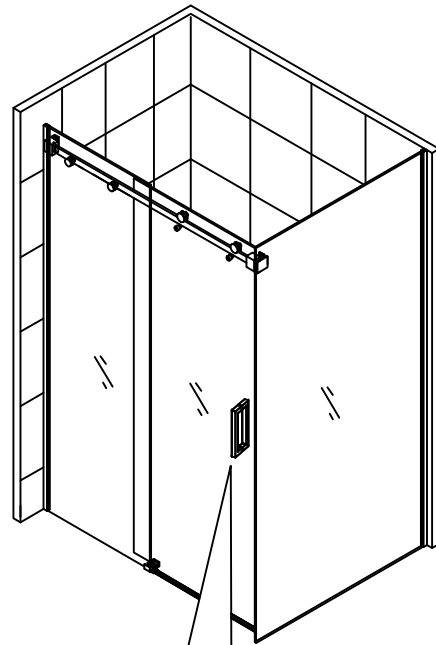


Apply a good quality mildew-resistant silicone along the interior perimeter where the glass meets the wall and threshold and also along the Anti-Splash Threshold.

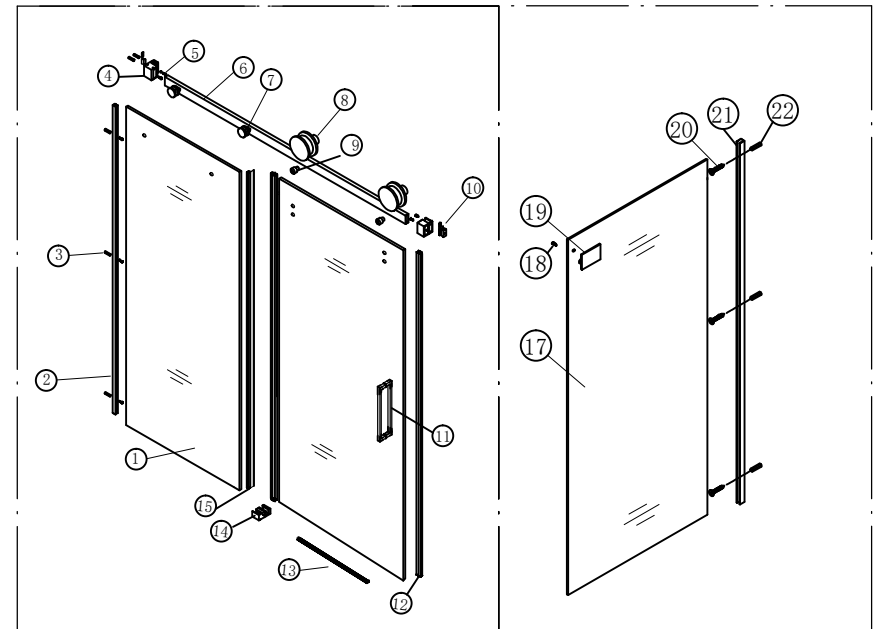
Please allow 24 hours for the silicone to fully cure before using the shower.

Handle and Bumper Strips Installation

Press the Anti-water strip (F-shape) onto the vertical edge of the fixed panel. Also press the Bumper strip (U-shape) onto the vertical edge of the door glass.



Detailed Diagram of Shower Enclosure Components



Packing List

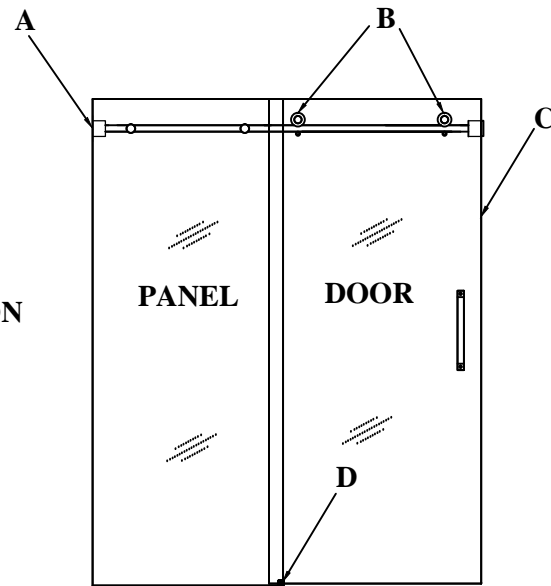
NO.	Name	Picture	Qty	NO.	Name	Picture	Qty
1	Glass door		2	9	The Jump		2
2	Wall Channel		1	10	Antibouncer		2
3	Ø6 Wall anchor		5	11	Handle		1
4	Rail bracket		2	12	Bumper strip		2
5	Round head screw ST4x30		5	13	Anti-splash threshold		1
6	Rail 40x15		1	14	Guide Block		1
7	Mirror nail		2	15	Shape seal		1
8	Ø55 Roller		2	16	Allen wrench		1

NO.	Name	Picture	Qty	NO.	Name	Picture	Qty
17	Side glass		1	20	Round head screw ST4x30		3
18	Screw		1	21	Wall Channel		1
19	Wall bracket cover		1	22	Ø6 Wall anchor		3

NOTE: Retain these installation instructions for future reference



**IMPORTANT INFORMATION
REGARDING THE
INSTALLATION
OF THIS SHOWER DOOR**



A Guide Rail Brackets must be firmly attached to the wall. Installation into a stud is strongly recommended. All of the guide rail bracket set screws must be tightened. **Thread Lock** must be applied to both stopper set screws. Panel-side stopper must be installed into the pre-drilled stopper hole in the upper guide rail. Door-side stopper must be installed at the proper position to stop the door from contacting the wall.

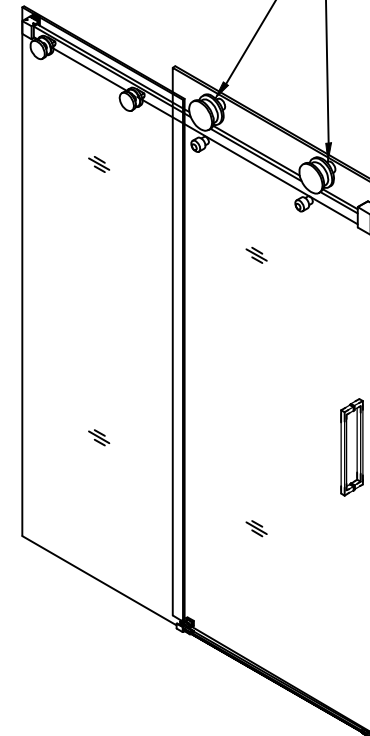
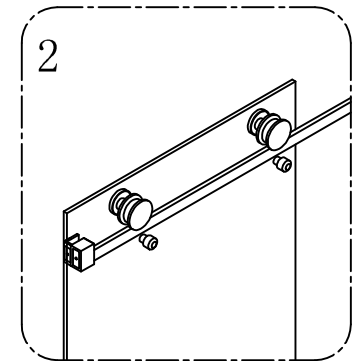
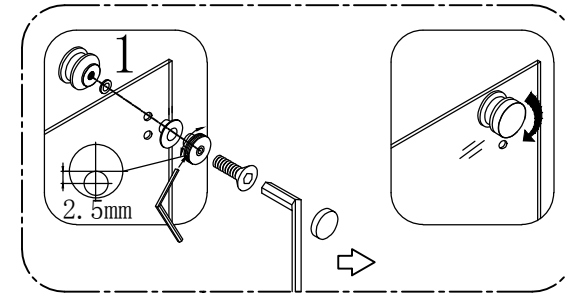
B Roller Wheel Safety Set Screws must be re-tightened after installation

C Bumper Vinyl Seal must be installed on the closing edge of the door glass.

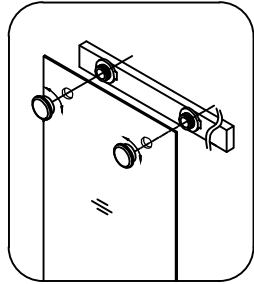
D The Guide Block must be screwed to the threshold and installed square to the panel glass and door glass. Installing the guide block crooked may damage the bottom edge of the door glass and lead to breakage.

**PLEASE READ THE ENCLOSED
INSTALLATION MANUAL FOR
DETAILS REGARDING PROPER
INSTALLATION.**

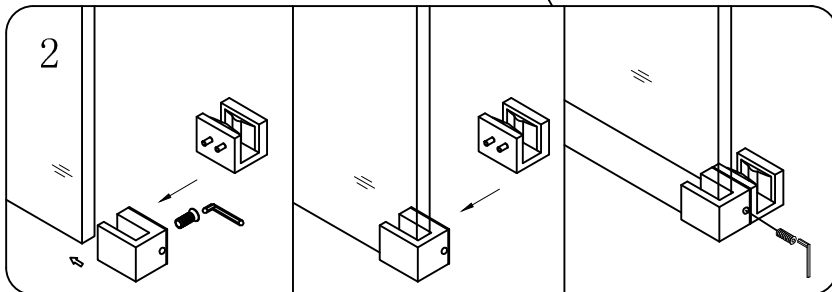
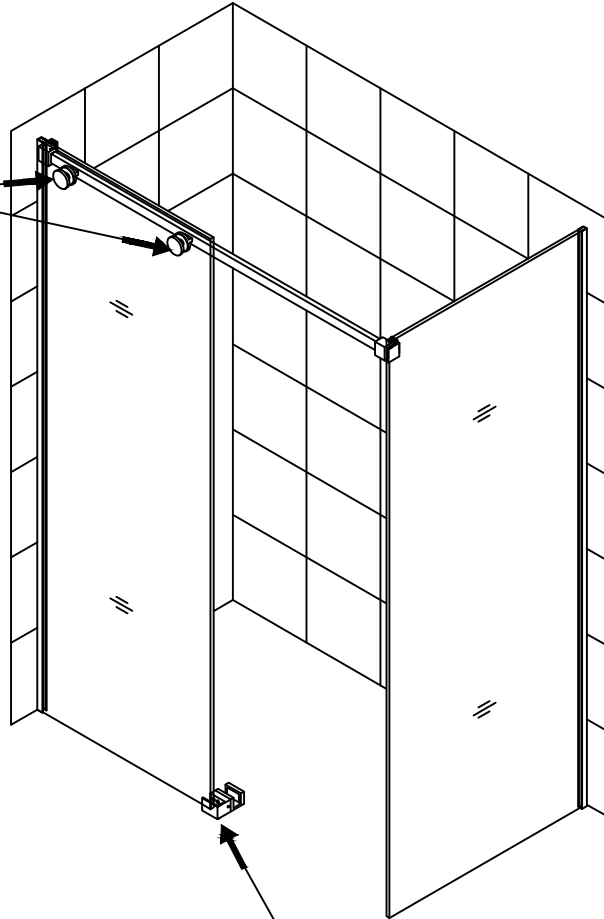
Roller Installation



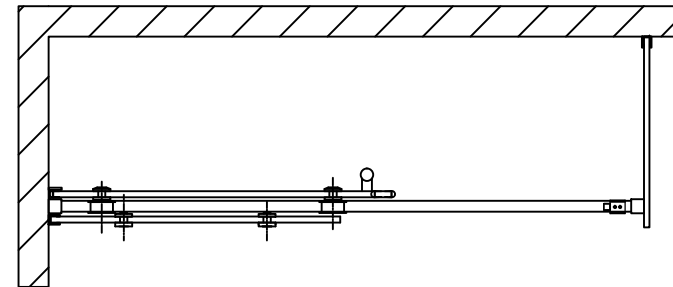
1. Tighten the rollers to the glass door as attached photo.
2. Firstly tighten 2 rollers above the guiderail hung the glass door up to the guiderail.



1. Assemble the fixed glass on the rail care fully.
2. Assemble the Guide Block on the floor and adjust into a precise position.

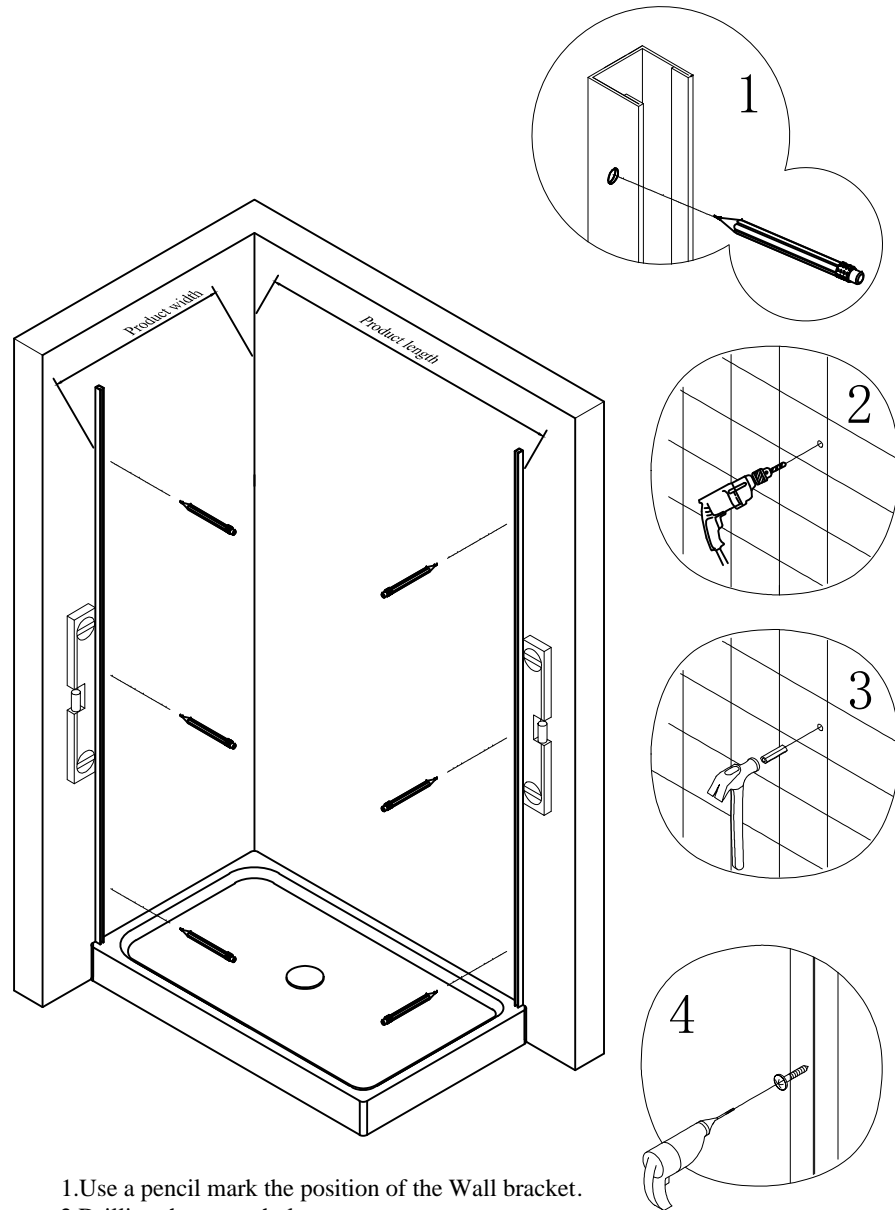


Specification

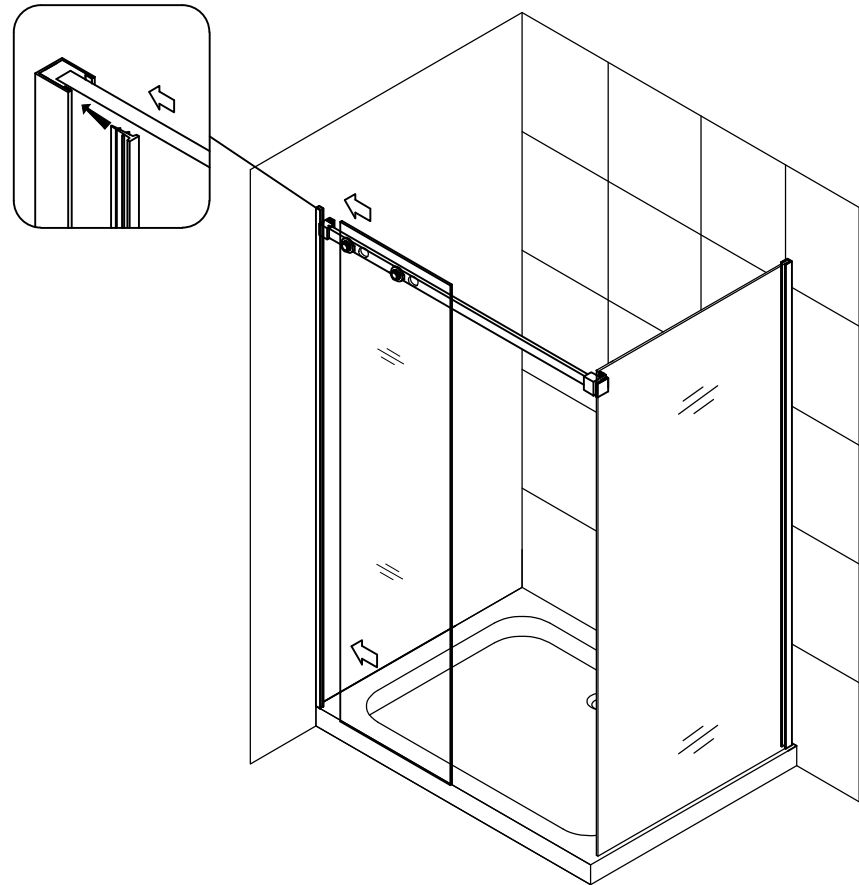


Front door

Wall Channel Installation

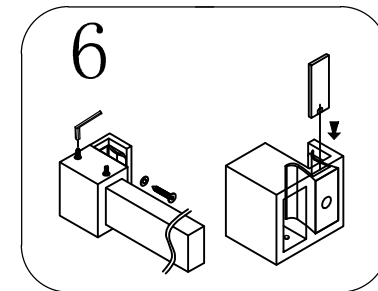
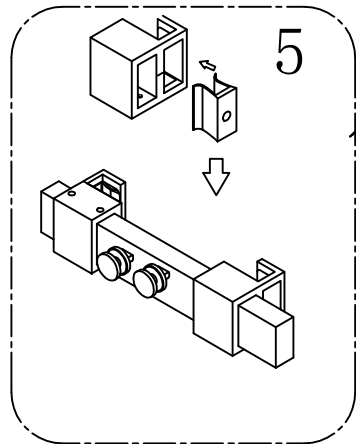
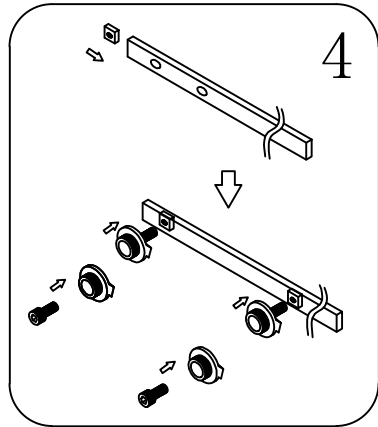


1. Use a pencil mark the position of the Wall bracket.
2. Drilling the screw holes.
3. Tighten the Wall anchor.

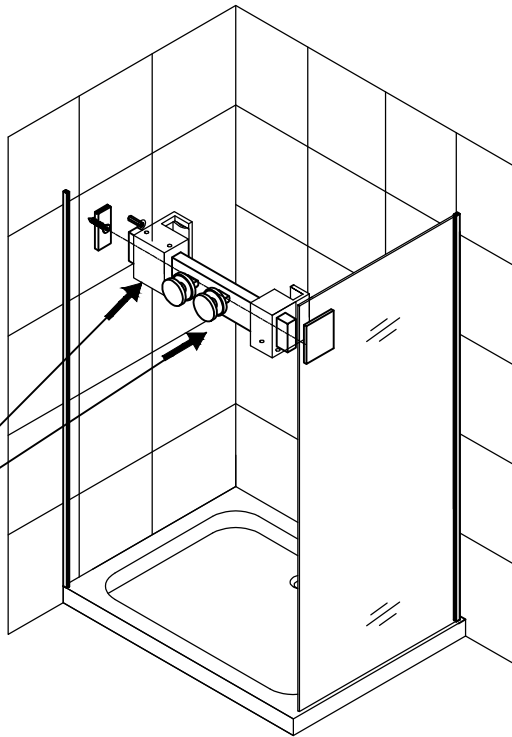


Put the return glass panel into wall channel at same time installing the single plastic strip into wall channel.

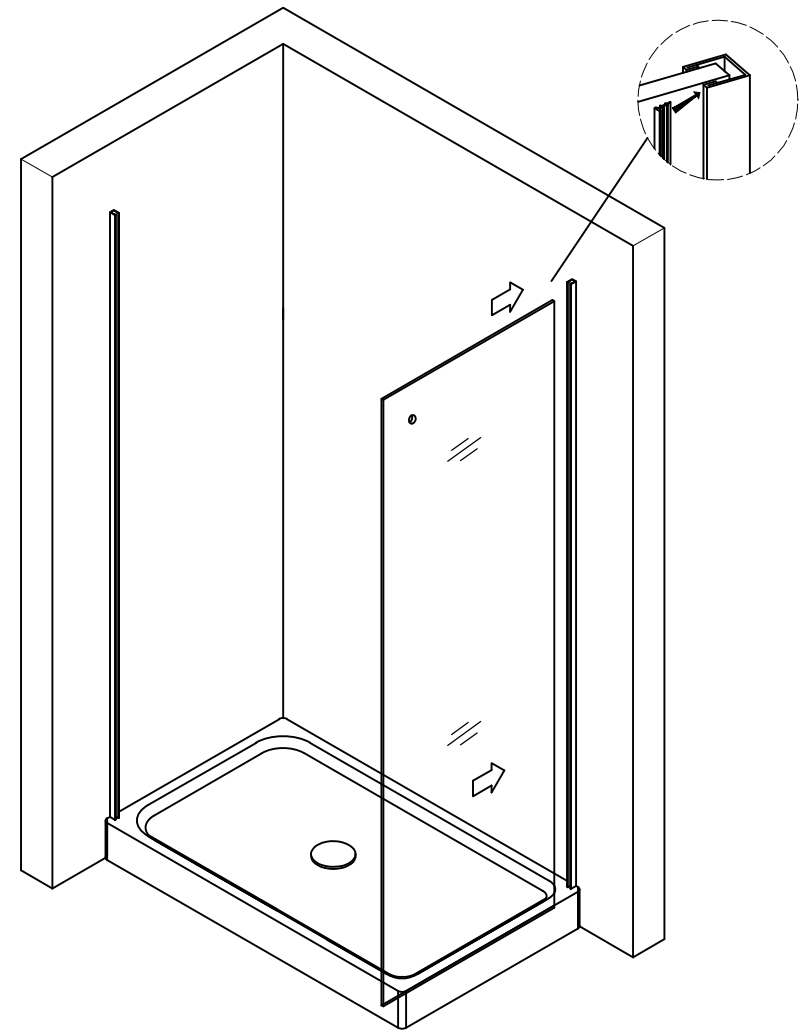
Guide Rail Locker Installation



4. Glass tighten nail installtion.
5. Install stopper into the rail in correct position.
6. Tightening the screws of the Guide Rail Bracket.



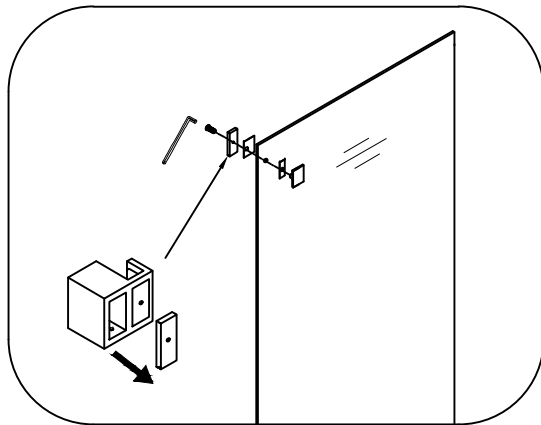
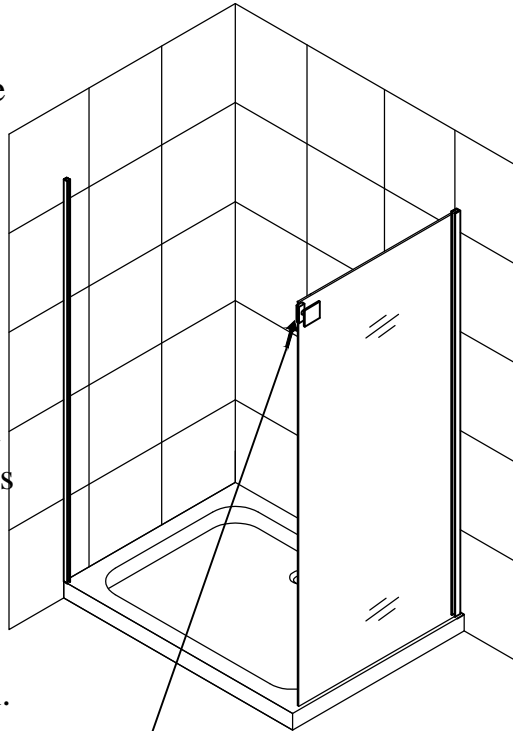
Side Panel Installation



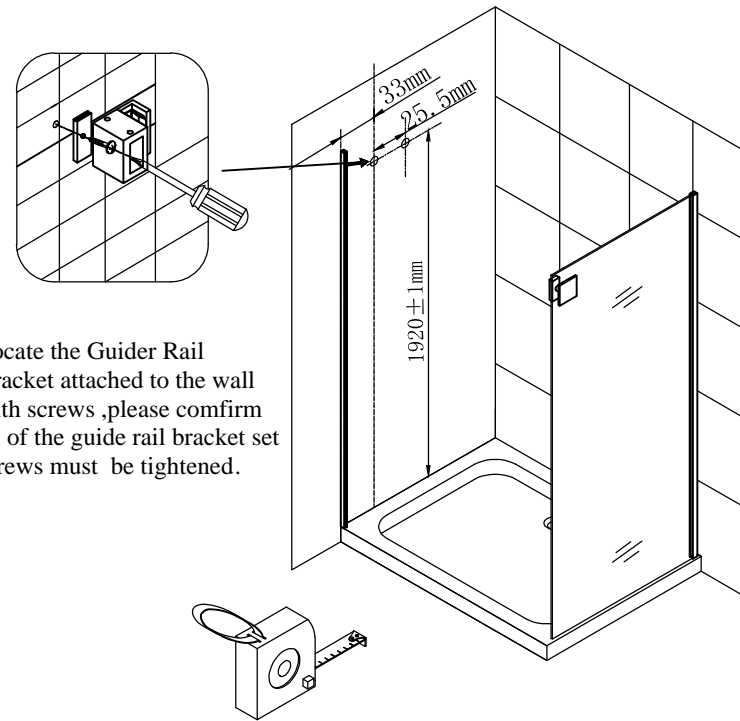
Put the return glass panel into wall channal at same time installing the single plastic strip into wall channal.

Side Panel Glass Wall Bracket Installation

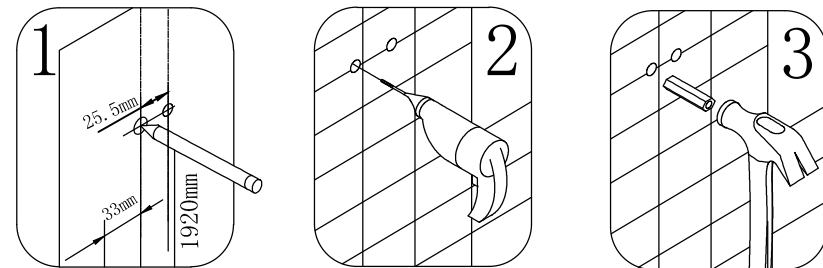
Remove a wall sleeve from the Door Panel product kit. And then remove the board of wall sleeve and the relevant screws, rubber gaskets from the panel kit. Then install the wall sleeve on the side panel glass as shown in the illustration. When fixing the screws, make sure that the wall sleeve is vertical. Otherwise will appear noise when sliding door.



Guide Rail Locker Installation



Locate the Guide Rail Bracket attached to the wall with screws, please confirm all of the guide rail bracket set screws must be tightened.



1. Use a pencil mark the position of the Wall bracket and Guide Rail brackets on the wall at 1920 ± 1 mm height.
2. Drilling the screw holes.
3. Tighten the Wall anchor.