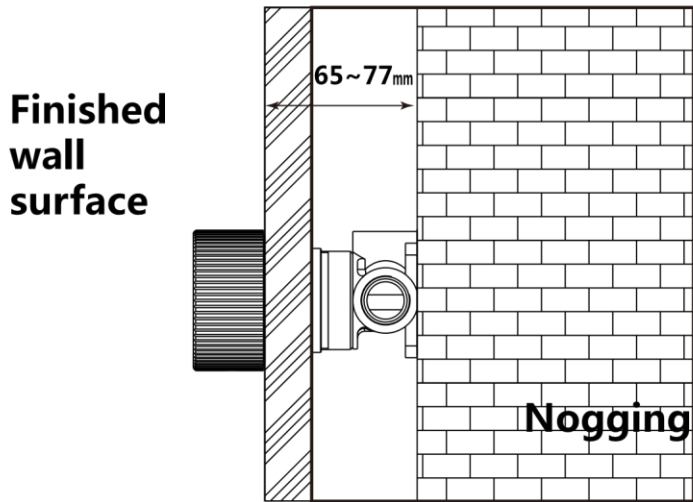
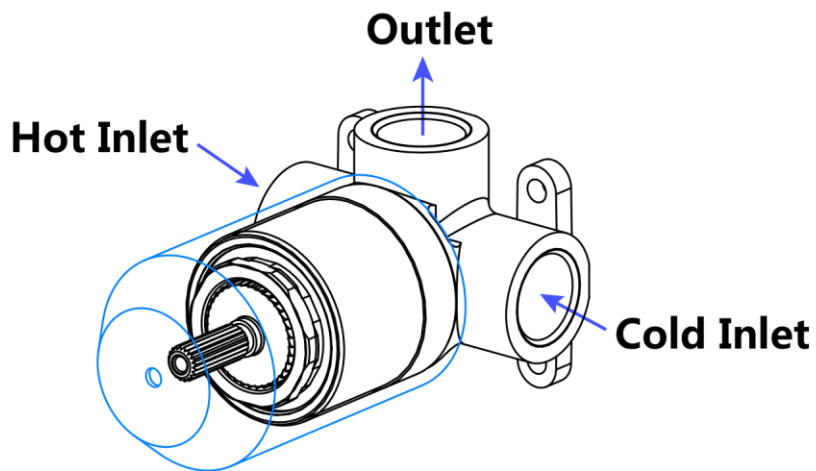


INSTALLATION INSTRUCTIONS

1. Prior to installation, calculate the thickness of finished wall to make sure the adjustment (only 12mm) is enough.



2. Mount the mixer body in place, connect the water supply and water outlet. To ensure there are no leaks, test the connection and check that the mixer body is level. Do not remove the plastic cover until the final fit-off.



3. Make a 48mm round hole in the cement sheet and tiles.
4. Remove the plastic cover and turn the spindle anticlockwise by hand until the cartridge is set to the off position.
5. Screw on the cover flange to the mixer body and push the handle to the spindle of the cartridge.

Fasten the grub screw inside the handle firmly with an Allen Key.

Make sure the handle is in correct position when installing. Refer to the drawing below.

