

250mm Square Floor Waste Arrestor (suits 100mm pipe)



FW-250BS-304

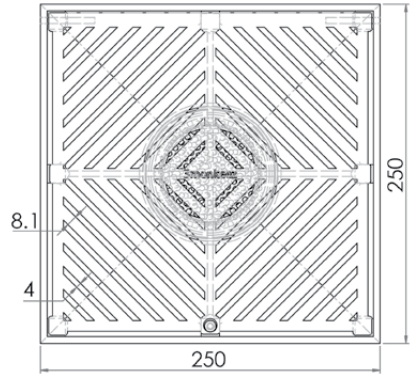
FW-250BS-316

- Hinged grate
- Heel proof
- Fixed strainer with 4mm holes
- Removable basket with 4mm holes
- 304 or 316 grade stainless steel
- Suits 100mm DWV, HDPE pipe

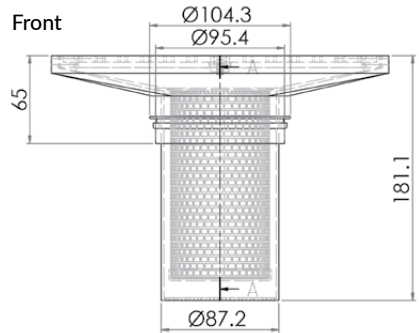


FW-BASKET-100

Top



Front



Cross Section

