

225mm Square Floor Waste Arrestor (suits 150mm pipe)

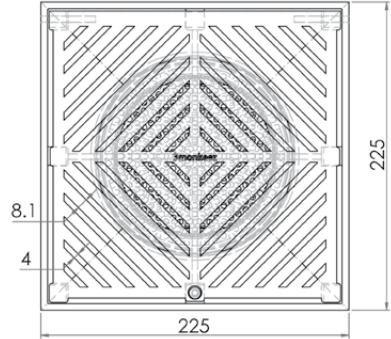
FW-225BS-150-304

FW-225BS-150-316

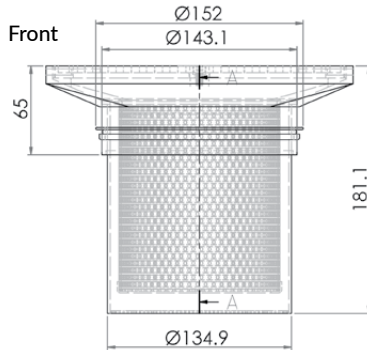
- Hinged grate
- Heel proof
- Fixed strainer with 4mm holes
- Removable basket with 4mm holes
- 304 or 316 grade stainless steel
- Suits 150mm DWV, HDPE pipe



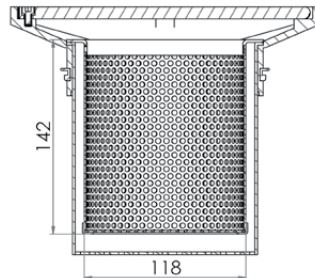
Top



Front



Cross Section



FW-BASKET-150