

200mm Round Vinyl Floor Waste Arrestor (suits 150mm pipe)



FW-200VRBT-150-304

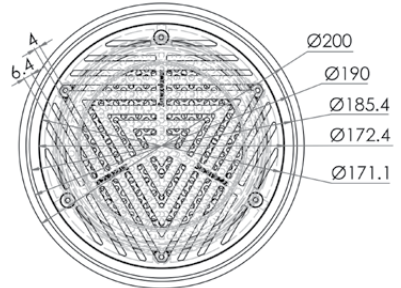
FW-200VRBT-150-316

- Removable grate
- Heel proof
- Suits vinyl application
- Includes vinyl clamp
- Fixed strainer with 4mm holes
- Removable basket with 4mm holes
- 304 or 316 grade stainless steel
- Suits 150mm DWV, HDPE pipe

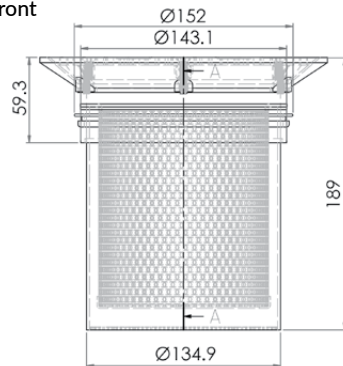


FW-BASKET-150

Top



Front



Cross Section

