

200mm Square Floor Waste Arrestor



FW-200BS-304

FW-200BS-316

FW-200S-BASKET-304 (BASKET ONLY)

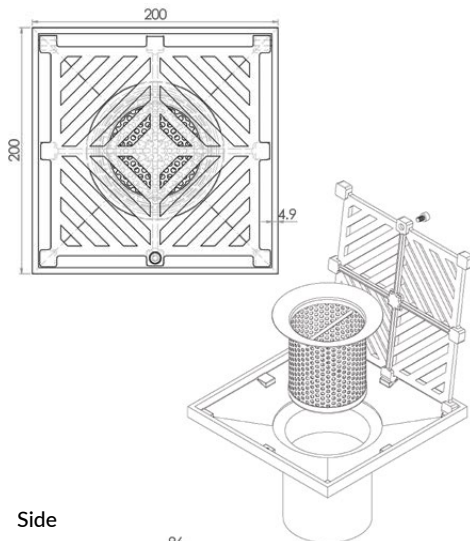
FW-200S-BASKET-316 (BASKET ONLY)

- Hinged stainless steel grate
- Fixed secondary strainer
- Removable strainer basket
- Suits 100mm DWV, HDPE pipe

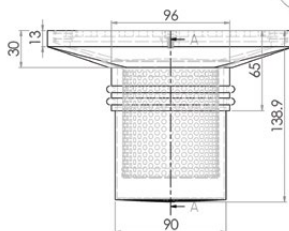


FW-200S-BASKET

Top



Side



Cross Section

