

Trade Waste Solutions



200mm Square Floor Waste Arrestor (suits 150mm pipe)

FW-200BS-150-304

FW-200BS-150-316

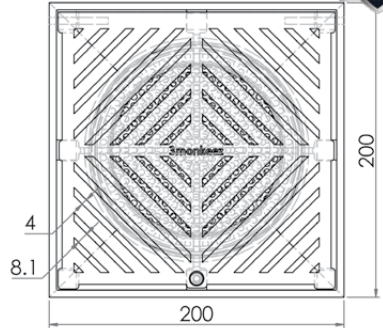
- Hinged grate
- Heel proof
- Fixed strainer with 4mm holes
- Removable basket with 4mm holes
- 304 or 316 grade stainless steel
- Suits 150mm DWV, HDPE pipe



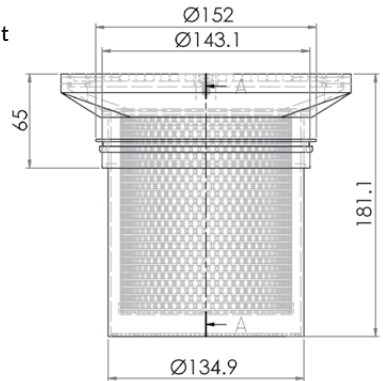
FW-BASKET-150



Top



Front



Cross Section

