

# Grates & Drains



## 100mm Square Tile Insert Point Drain

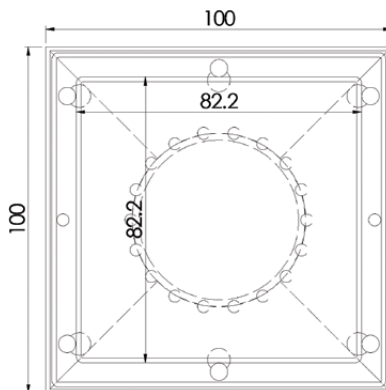


FW-100TI-50 (50mm outlet)

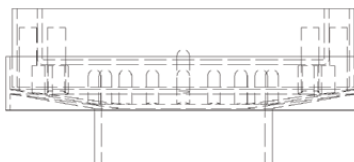
- Slimline for easy installation
- Removable tray



Top



Front



Cross Section

