

BABY BOTTLE STERILIZER & DRYER

Chef Handy



USER 'S MANUAL

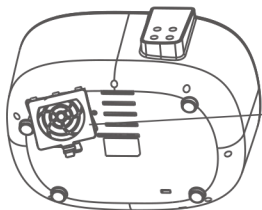
Model: BBS - 6700

Precautions for use

1. Please read the manual carefully before using this product.
2. In order to avoid moisture and leakage, please do not put the machine into water for cleaning.
3. Do not place the product in the place accessible to infants and children; please unplug the power supply if it is not used for a long time.
4. If the power cord is damaged, in order to avoid risks, it must be replaced by the manufacturer, its maintenance department or professionals in similar departments.
5. When the product is used in the early stage, slight plastic smell is easy to appear after high temperature, which is a normal phenomenon
6. This appliance can be used by children aged from 8 years and above and persons with reduced physical, sensory or mental capabilities or lack of experience and knowledge if they have been given supervision or instruction concerning use of the appliance in a safe way and understand the hazards involved. Children shall not play with the appliance. Cleaning and user maintenance shall not be made by children without supervision.
7. This appliance is intended to be used in household and similar applications such as: staff kitchen areas in shops, offices and other working environments; farm houses; by clients in hotels, motels and other residential and breakfast type environments.
8. The use of accessory attachments not recommended by the appliance manufacturer may result in fire, electric shock or injury to persons.
9. Always attach plug to appliance first, then plug cord into the wall outlet. To disconnect, turn any control to "off" . then remove plug from wall outlet.
10. Clean the filter at least once a week to avoid affecting the drying effect.

Cleaning & Maintenance

1. When cleaning, please pull off the power plug and wait for the heating plate to cool to room temperature before cleaning.
2. Do not scratch the heating plate with sharp metal objects.
3. When there is scale on the heating plate, it can be poured with appropriate amount of vinegar or citric acid and proper amount of water. Select sterilize function to boil the water and clean it.
4. Clean the filter at least once a week to avoid affecting the drying effect, as shown in the figure

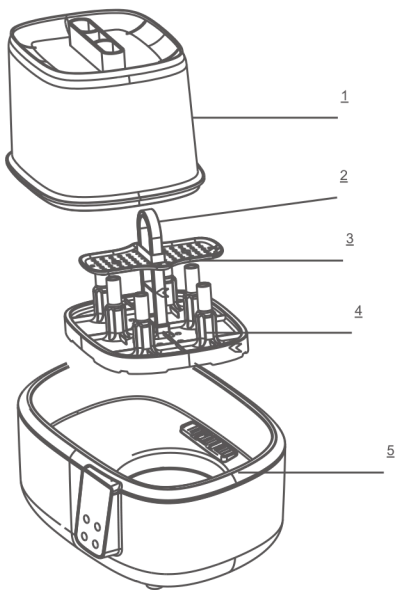


Filter is installed at the bottom, cleaned every week.

Caution

1. Do not use outdoors.
2. Do not let cord hang over edge of table or counter, or touch hot surfaces.
3. Do not place on or near a hot gas or electric burner, or in a heated oven.
4. Avoid water entering the air outlet B to avoid product damage. Do not add water beyond the maximum water level.
5. Do not touch hot surfaces. Use handles or knobs.
6. Insure that the appliance is switched off before removing it from its stand.

Product Components and Characteristics



Item	Name	Material	Temperature resistance	QTY
1	Cover	PP	-20-120°C	1
2	Handle	PP	-20-120°C	1
3	Upper Tray	PP	-20-120°C	1
4	Tray	PP	-20-120°C	1
5	Base	PP	-20-120°C	1

Product Specifications

Product Name	Baby Bottle Sterilizer & Dryer	Product Model	BBS-6700
Voltage	120V ~ 60Hz	Sterilizing Power	600W
Drying Power	155W	Warranty	1year
Recommended room temperature & humidity	15-30°C(59-86°F)/30%-80%	Year of manufacture	

Assembling and adding water method

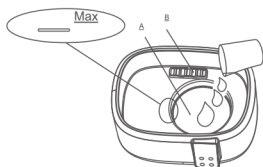


Figure 1

As shown in Figure 1, add about 130ml pure water to the heating plate A; In order to avoid causing the damage to the product, do not allow the water enter at air outlet B. Do not add water above the maximum water level.

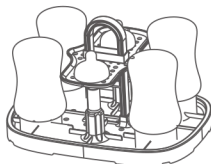


Figure 2

Place the tray assembly into the base as shown in Figure 3 and cover the top cover.

As shown in Figure 2, insert the baby bottle upside down into the tray cylinder, and place the pacifier and other accessories in the tray.

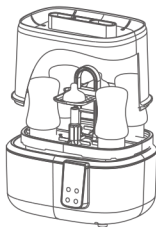
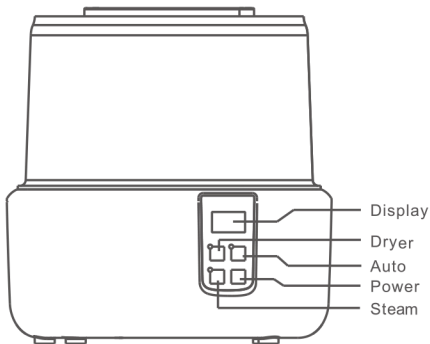


Figure 3

Use and operation for panel introduction

The machine is equipped with: Power, Steam, Dryer, Auto. Total four touch buttons are shown below:



Function Operation:

1. Plug in the power supply, the buzzer will beep once, and the digital screen will display "-" then enter the standby state.
2. Sterilizing Function: Press the **【STEAM】** button, and the corresponding indicator light will be on to start sterilize. At this time, the digital screen will display the 10 minute countdown. After the sterilization is complete, the buzzer will return to standby with a beeping sound. (Note: 130ml of water must be added as shown in Figure 1, and ensure that no water enters the air outlet B)
3. Dry Function: Press the **【DRYER】** button and the corresponding indicator light will be on to start drying. The digital screen displays the 50 minute drying countdown. Pressing the **【DRYER】** button several times can switch to 40 or 30 minutes drying time. During drying process, the digital screen displays the countdown. After the drying process, the buzzer will beep and return to standby.
4. Auto function: Press the **【AUTO】** button. The corresponding indicator lights up. Start sterilization first and switch to drying function . Press the button several times to switch to 50 or 40 minutes of drying options.
5. Power: When any function is working, if the Power is pressed, the machine stops working and returns to standby.

Warranty Card

Thank you for choosing our products. For your rights and interests, please take good care of the warranty card. If there is any quality problem, please contact the dealer.

User Name		Product Name	
Mobile		Product Model	
Shop		Purchase Date	
Shopping Address			

Warranty:

It is free to provide the maintenance services or replacement within one year from the date of purchase, if there are quality problems or failure problems in normal use condition judged by the technical staff from CHEFHANDY.



More product? Visit
<http://www.chefhandy.net>



Any issue? Contact us
<http://www.chefhandy.net>

Need Additional Customer Support?
Contact US expert via
email: **Support@chefhandy.com**

Do not return this product
to the place of purchase.

