

Model : (CB.10.0022) E1

Installation Manual

- Thank you for choosing our products. Please read the instructions carefully before installation and keep it available for future maintenance or reference.

Content

Installation

Safety instructions	01
Technical specification	03
List of materials	05
Technical drawings	06
Parts identification	07
Installation of ceramic toilet	08
Previous preparation	10

Maintenance

Daily maintenance	11
1.Main unit care and maintenace	
2.Spray nozzle maintenance and care	
3.Maintenance of filter net	
Emergency troubleshooting	12
1.Failure of remote control	
2.When the product is left unused for long time	

Others

Description of the knob function	14
Troubleshooting Guide	15

IMPORTANT SAFEGUARDS

When using electrical products, especially when children are present, basic safety precautions should always be followed, including the following:

- 1.The appliance is not to be used by persons (including children) with reduced physical, sensory or mental capabilities, or lack of experience and knowledge, unless they have been given supervision or instruction.
- 2.Children being supervised not to play with the appliance.
- 3.This appliance can be used by children aged from 8 years and above and persons with reduced physical, sensory or mental capabilities or lack of experience and knowledge if they have been given supervision or instruction concerning use of the appliance in a safe way and understand the hazards involved.
- 4.Children shall not play with the appliance.
- 5.Cleaning and user maintenance shall not be made by children without supervision.

READ ALL INSTRUCTIONS BEFORE USING



DANGER –To reduce the risk of electrocution:

1. Do not use while bathing.
2. Do not place or store product where it can fall or be pulled into a tub or sink.
3. Do not place in or drop into water or other liquid.
4. Do not reach for a product that has fallen into water. Unplug immediately.
5. Do not wash the main unit or electrical plug with water or detergent.
6. Do not handle the electrical plug with wet hands.
7. Do not put a hand or other staff over the outlet of air dryer or block the outlet of air dryer.
8. Never disassemble,repair or modify this product.
9. During installation, disassembly, reaire and maintenance of the product,the power plug must be switched off and water supply be shut off.



WARNING –To reduce the risk of burns, electrocution, fire, or injury to persons.

1. Close supervision is necessary when this product is used by, on, or near children or invalids.
2. Use this product only for its intended use as described in this manual. Do not use attachments not recommended by the manufacturer.
3. Never operate this product if it has a damaged cord or plug, if it is not working properly, if it has been dropped or damaged, or dropped into water. Return the product to a service center for examination and repair.
4. Keep the cord away from heated surfaces.
5. Never use while sleeping or drowsy.
6. Never drop or insert any object into any opening or hose.
7. Do not use outdoors or operate where aerosol (spray) products are being used or where oxygen is being administered.
8. Connect this product to a properly grounded outlet only. See Grounding Instructions.
9. Do not throw cigarettes and other burning stuff into toilet, otherwise it might cause fire.
- 10.This product is electric appliance, so it must be placed far away from water. Please don't drench urine and other liquid to it.
- 11.Do not lay on side or upside the product during the electrical circuit.
- 12.It is prohibited to use other electric appliances in the same socket.
- 13.It is forbidden to use the power extension or unstable loose outlet.
- 14.The old aging water supply hose can not be used, otherwise it might cause leakage, fire or electrical shock.Installation of the bidet seat should include specified components and new water supply hose.

IMPORTANT SAFETY INSTRUCTIONS



CAUTION – Indicates that failure to follow the instruction may cause body injury or property damage.

1. Do not install or use the product in wet places as steam room etc.
2. It is recommended to use water-proof electrical outlet which should be installed in the place where is not easily got wet.
3. This product should be used with 110V-120V, 50/60Hz electrical current only, load current is at least 15A. Power plug must be equipped with ground fault circuit interrupter or ground fault electrical leakage protector or similar high sensitive, rapid type leakage switch (Rated sensitive current under 6mA).
4. When it thunders, it is strongly recommended to pull out the power plug.
5. Do not stand on ceramic toilet.
6. Ceramic toilet must install floor fixing bolt.
7. Do not stand on product unit, seat and cover.
8. Do not lean against the seat cover when using the product, to avoid damage.
9. This product is equipped with soft-closing seal cover. Heavy pressing or pushing may damage the soft-closing damper.
10. Do not use lacquer thinner, petrol, liquid medicine, detergent, insecticide, toilet cleanser and scrubbing brush to clean the product.
11. Exposure to direct sunlight is prohibited.
12. Only use tap water or potable water; otherwise it may cause chafing.
13. Do not connect water supply to heater outlet. Make sure inlet water temperature at 3~35°C/37.4~95°F.
14. When the room temperature is under zero degree, please dry up the water tank, to avoid freezing.
15. Raise rest room temperature to prevent the toilet from damage due to freezing.
16. When move the product from cold or wet environment into normal room temperature, wait for 2 hours until the condensation water is fully volatilized. Doing so can prevent the product from electrical short-circuit.
17. When not using the product over three(3) days, drain the water out of the container and pull the electrical plug from the wall outlet.
18. Stop using the product and shut off the power when product malfunctions, please contact the service people for professional service.

GROUNDING INSTRUCTIONS

This product should be grounded. In the event of an electrical short circuit, grounding reduces the risk of electric shock by providing an escape wire for the electric current. This product is equipped with a cord having a grounding wire with a grounding plug. The plug must be plugged into an outlet that is properly installed and grounded.



DANGER – Improper use of the grounding plug can result in a risk of electric shock.

If repair or replacement of the cord or plug is necessary, do not connect the grounding wire to either flat blade terminal. The wire with insulation having an outer surface that is green with or without yellow stripes is the grounding wire.

This product is factory equipped with a specific electric cord and plug to permit connection to a proper electric circuit. Make sure that the product is connected to an outlet having the same configuration as the plug. No adapter should be used with this product. Do not modify the plug provided — if it will not fit the outlet, have the proper outlet installed by a qualified electrician. If the product must be reconnected for use on a different type of electric circuit, the reconnection should be made by qualified service personnel.

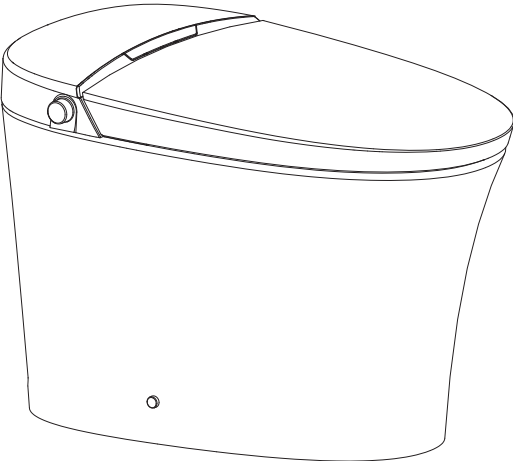
SAVE THESE INSTRUCTIONS

Technical Specification

Model		E1
Main Unit	Rated voltage	110V-120V,50/60Hz
	Rated power	1200-1400W
	Overall unit Waterproof	IPX4
	Electrical wire	Length is about 1.8m
Toilet	Flush volume	1.6/1.1Gpf (full flush6.0L/half flush4.1L)
	Flushing mode	Siphonic jet
	Rough-in distance	305mm
	Outlet outside diameter	88mm
	Drainage method	Down-drain
	Water pressure range	0.09MPa (dynamic water pressure, flow rate 15.0 L/min or more)--0.8MPa (static water pressure)
Cleaning device	Heating mode	Instant heated
	Heating power	1400W
	Water temperature	6 different level adjustment
	Water volume	3 different level adjustment
	Cleansing mode	Rear washing / Moving washing , Front washing / Moving washing
	Spray cleansing location	5 different level adjustment
	Water pressure protector	Pressure stabilizer, Automatic pressure discharging
	Anti-fouling device	Automatic cleansing nozzle, Anti-syphon device, Anti-backflow device, Filter device
	Safety device	Thermal fuse, Water temperature sensor, Ground protection, Thermostat, Over temperature protection , Leakage protection plug
Drying device	Warm air volume	Over 0.2m ³ /min
	Warm wind temperature	6 different level adjustment
	Heating power	250W
	Safety device	Thermal fuse, Temperature sensor, Thermostat

Model		E1
Deodorization	Deodorization Method	Diatoms Deodorization
Heated seat	Surface temperature	6 different level adjustment
	Heating power	50W
	Open and close device	Quiet soft-closing device
	Heated burning protection	The seat temperature will automatically lower to level 1 in 10 minutes after using
	Safety device	Sensed area, Temperature sensor, Thermal fuse, Over temperature protection, Leakage protection plug
Caring device	Night light assembly	Intelligent, Normally-off
	User ID setting	Two kinds of User ID settings
	Automatic flushing	Toilet will automatically flush as user walks away from bowl
	Foot-sensing flushing function	Enables foot-sensing flushing function (optional)
Antibacterial position		Seat, Spray nozzle

List of materials



Main Unit



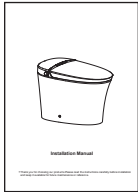
Remote controller components



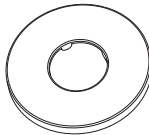
Sealing Flange



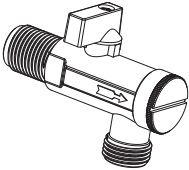
Installation Cardboard



Installation Manual



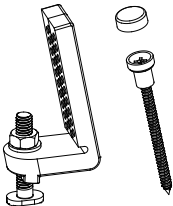
Flange



Angle Valve

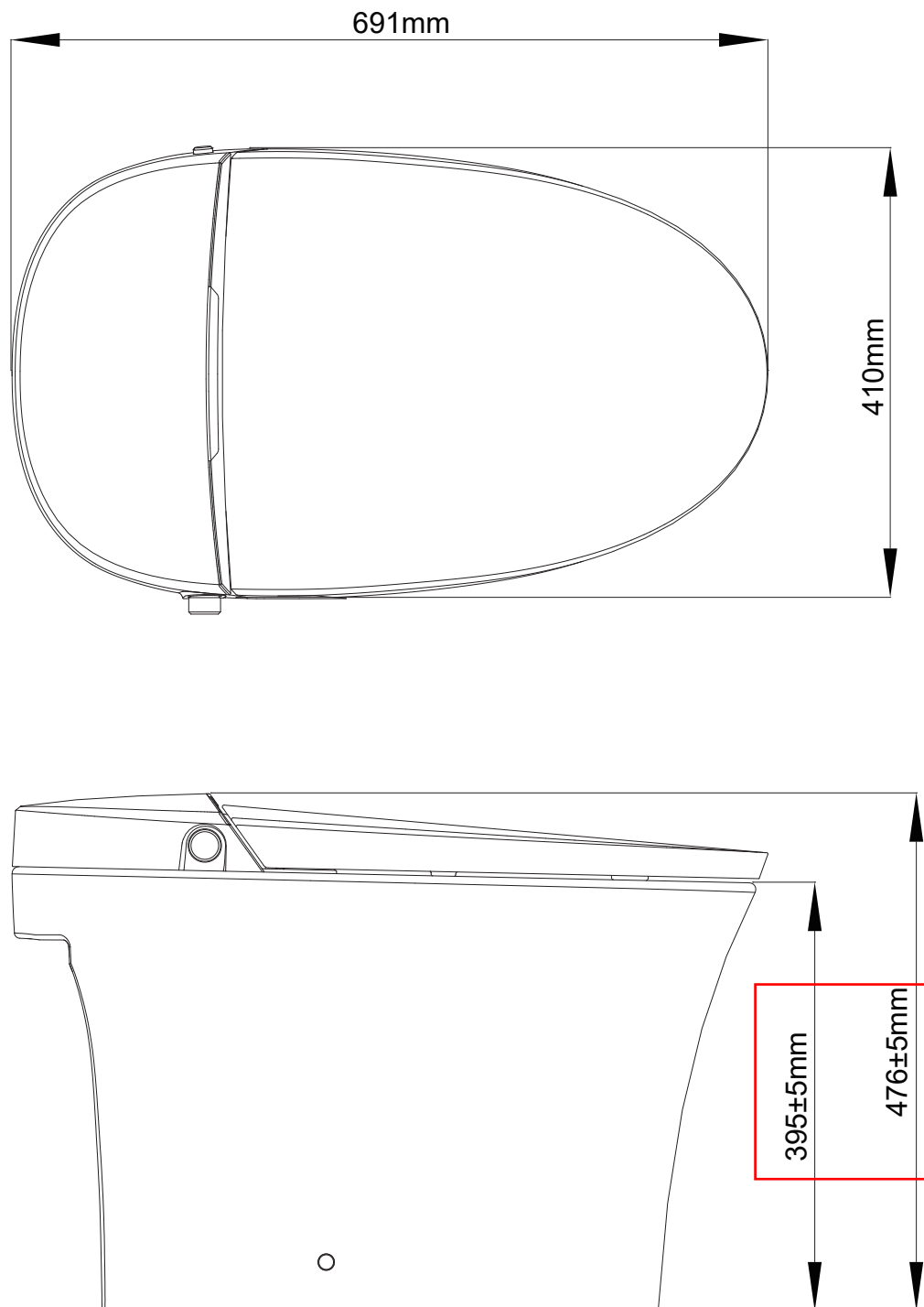


Braided hose



Mounting accessory kit

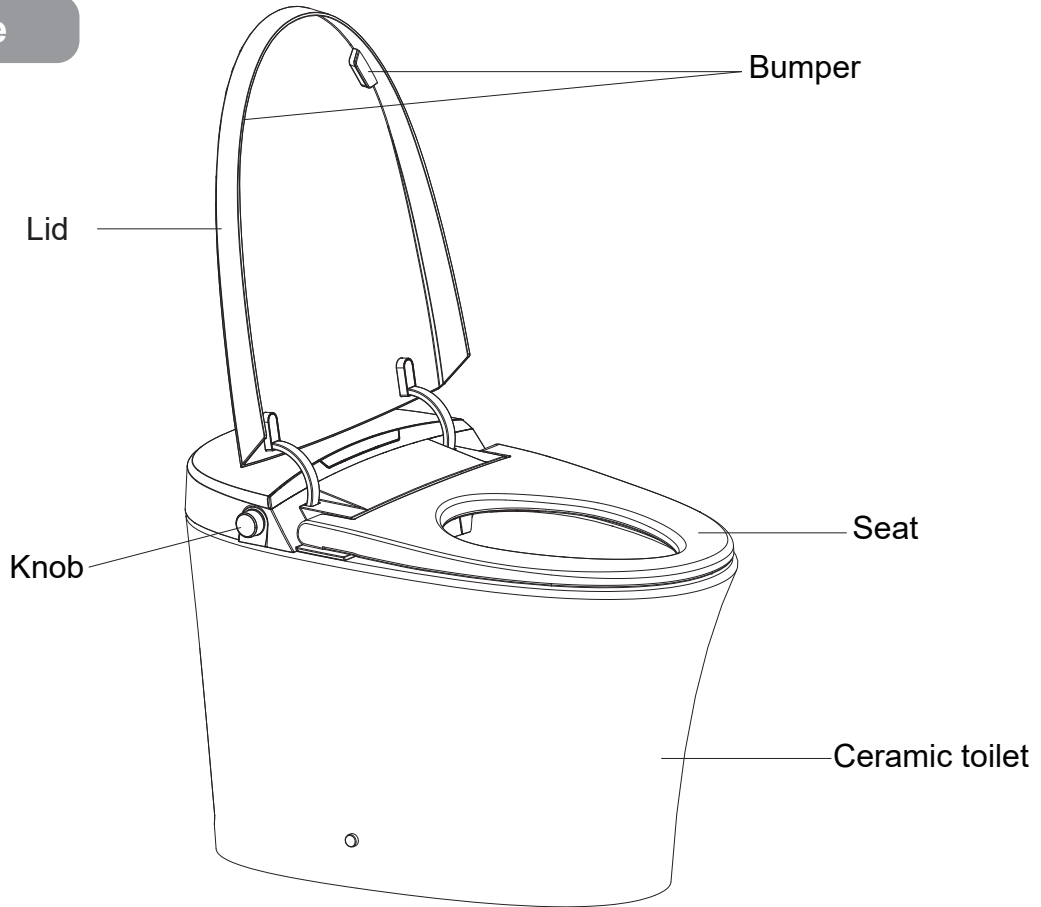
Technical drawing



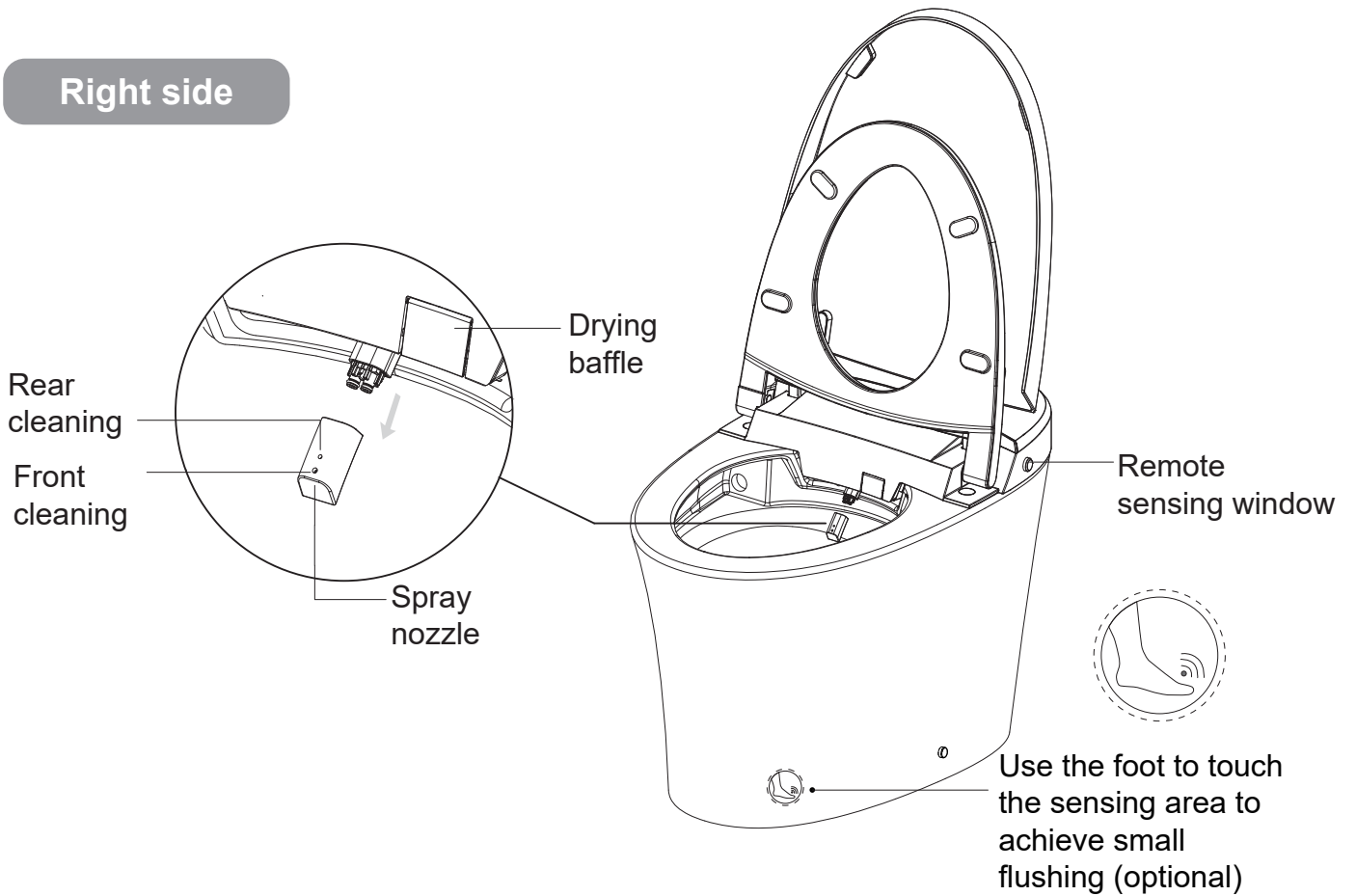
The product drawing is for reference only, and we reserve the right to modify the appearance of the product.

Parts identification

Left side



Right side

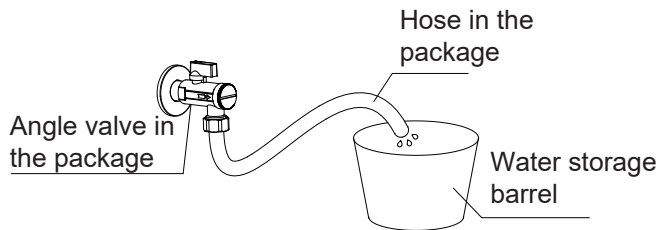


Installation of ceramic toilet

⚠️ Precaution before installing

- Minimum dynamic working water pressure: 0.09MPa or more (15.0L/min or more), failure to meet this pressure will not achieve the best flushing effect.

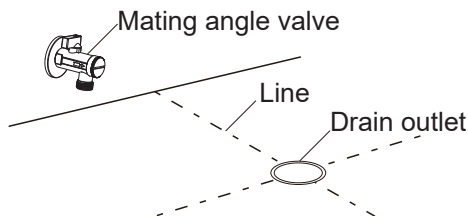
Remark: Apply the methods below if you don't have water pressure testing device.



Open the angle valve and connect water inlet for 10s, once the water volume is above 2.5L, the minimum water pressure of the product is ensured. (can be filled with 5 bottles of 500ml mineral water bottles)

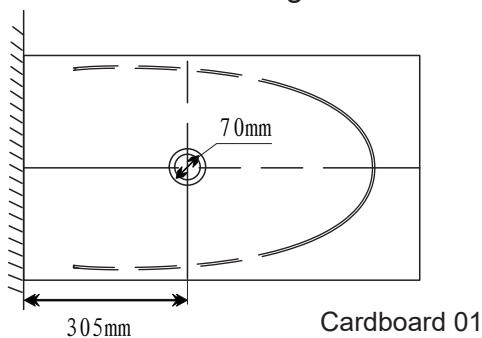
1. Installation of mating angle valve

- Draw drain outlet centerline on the floor, Install angle valve at proper position on wall according to dimension of toilet.



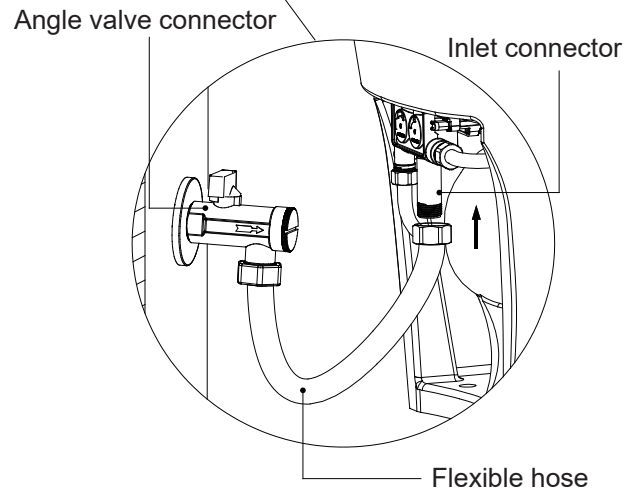
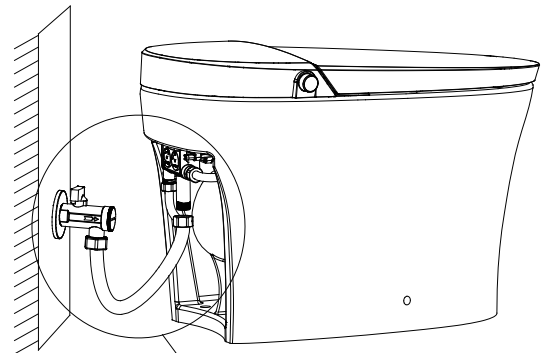
2. Cardboard installation

- Align cardboard with the centerline of drain outlet;
- Draw contour line according to cardboard;



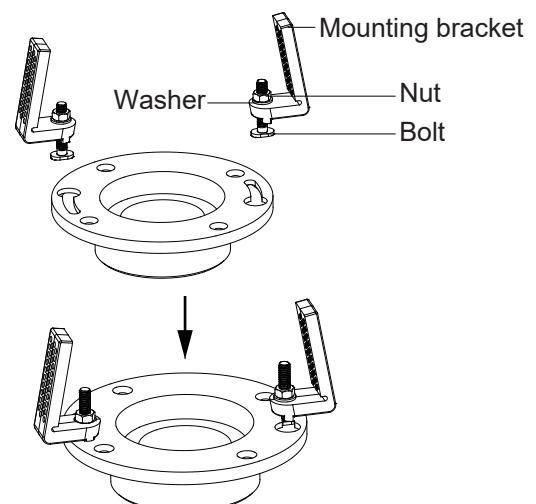
3. Hose

- Connect the water inlet and angle valve of the toilet with the matching hose and tighten it



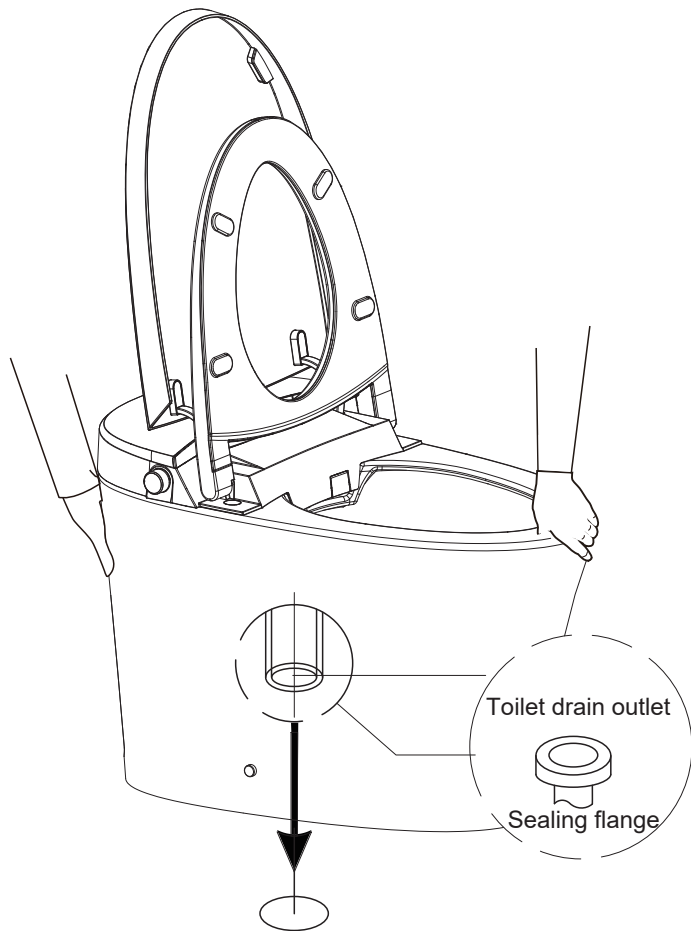
4. Mounting bracket installation

- Assemble the mounting bracket with bolts and then install them to the pre-installed flange plate on the ground and lock tight with nuts.



5. Ceramic toilet installtion

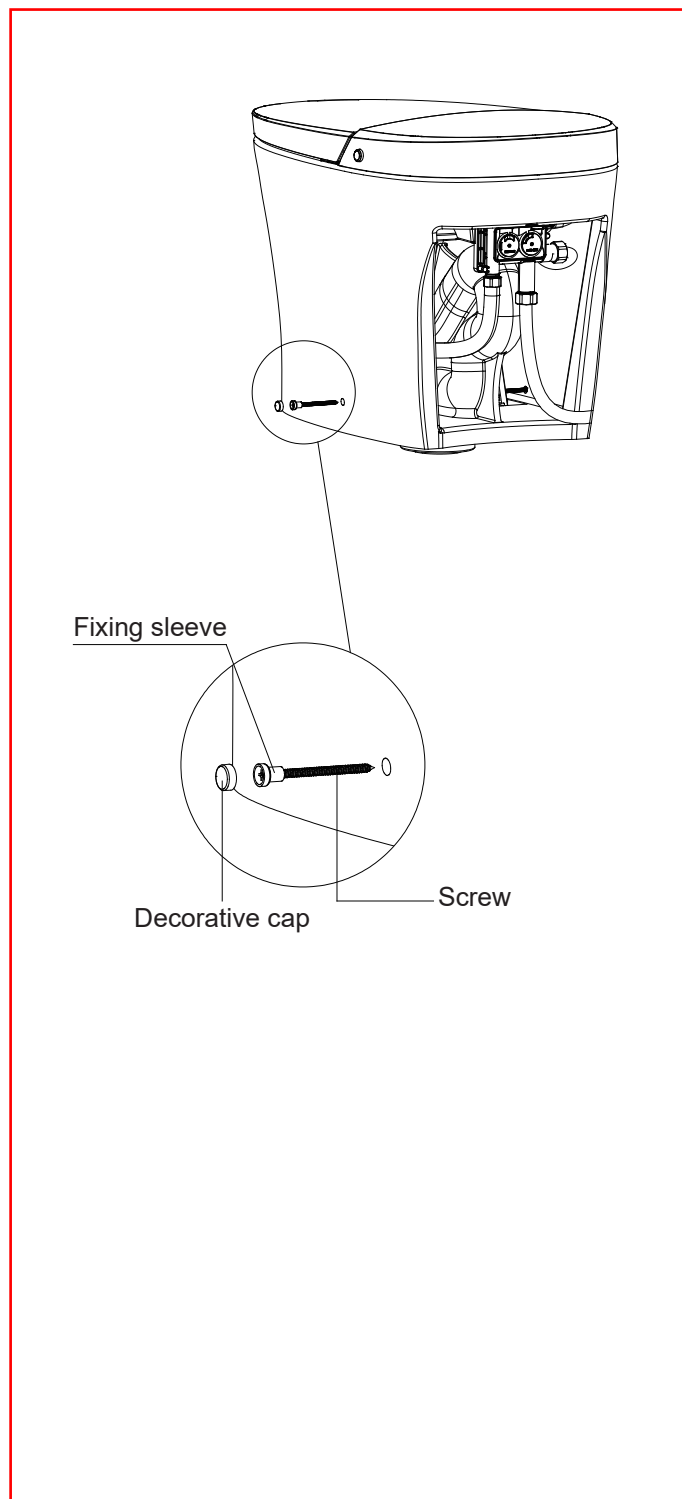
- Install sealing flange into drain outlet;
Install ceramic toilet on corresponding position according to contour line.



Tips: The toilet is heavy, and it needs to open the seat cover to carry it by two people.

6. Screw installation

- Put the screw through the fixing sleeve and then install it through the holes (on both sides of the toilet ceramic) to the mounting bracket on the ground, and lock tight with a tool;
- Put the decorative cap on the fixing sleeve.

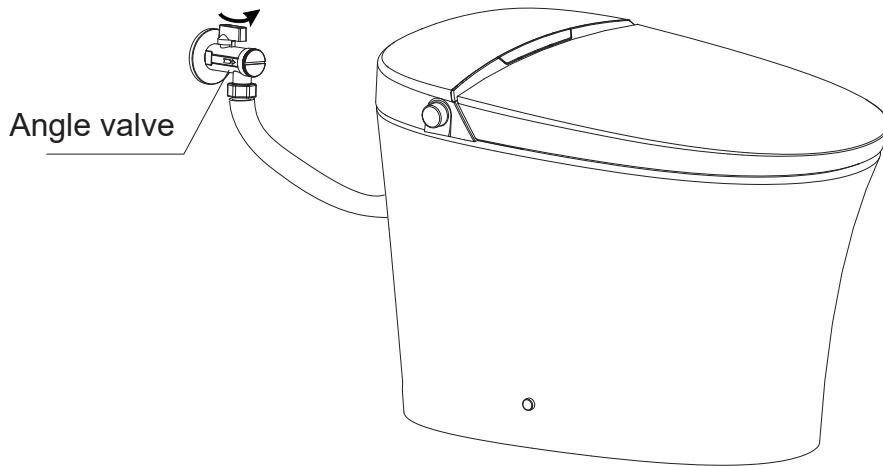


Previous preparation

1. Turn on the angle valve

Check thread connection, make sure no leakage is found, unscrew angle valve anticlockwise to maximum opening.

(Tips: When opening for the first time, the angle valve handle has a larger torque)



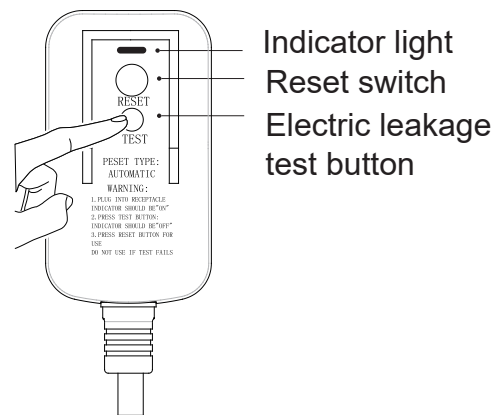
2. Power Connection

- Insert power line leakage protection plug into the power socket, press the reset switch, plug indicator lights on indicating that the power is on.

Tips:

Press electric leakage test button prior to usage, the reset switch pops up indicating that the leakage protection function is normal.

Press the TEST button (then RESET button) every month to assure proper operation.



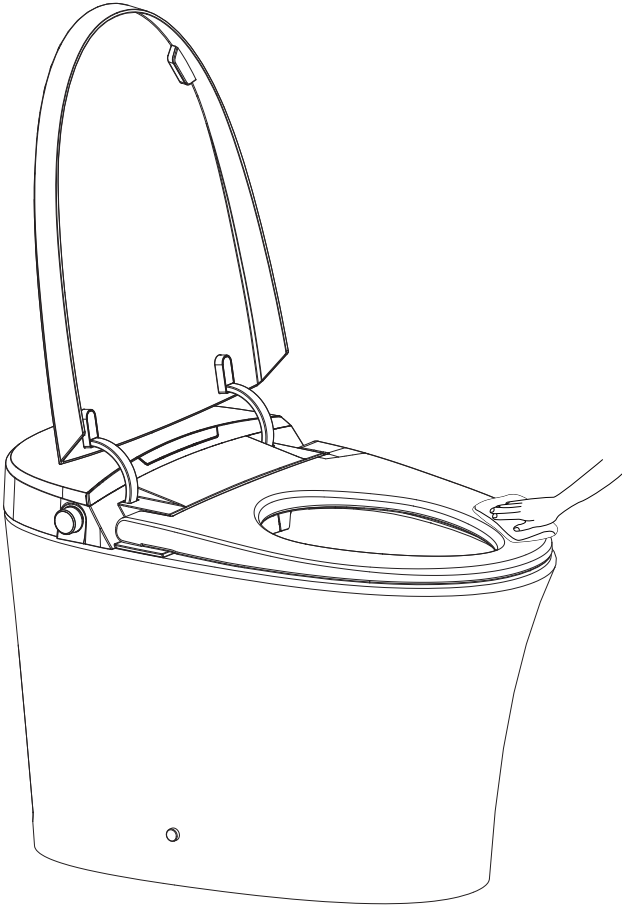
3. Self-inspection

1. The main unit buzzer sounds "beep", the knob lights up in blue, and the self-test starts.
2. The main unit buzzer will sound "beep" again. After the self-test is completed, the knob will light red.
3. Function mode is on, normal use.

Daily maintenance

Main unit care and maintenance

1. Shut off power supply before doing maintenance.
2. Wipe the stain with a soft damp cloth.



3. Safety self- inspection

- After cleaning, re-connect the toilet with the power supply.

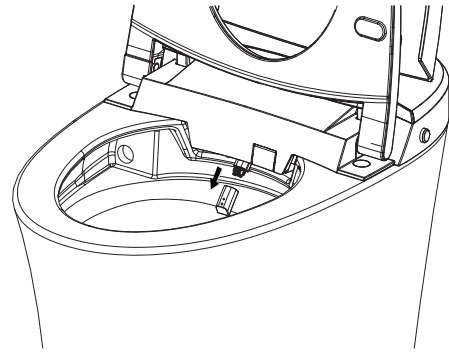
Spray nozzle maintenance and care

1. Nozzle self-cleaning

- User not seated, the knob rotates clockwise to start the nozzle manual cleaning function, and the nozzle will automatically extend and flow out the washing water.

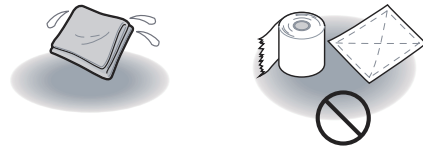
2. Spray nozzle disassemble

- When the nozzle moves forward, the nozzle can be disassembled to clean.



3. Use soft cloth or soft brush to clean

- Do not pull or push the wand, to avoid damage.



4. Nozzle retraction

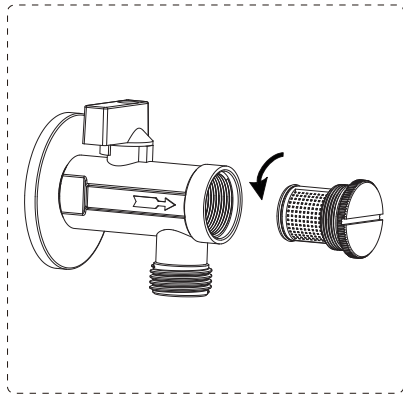
- Put the nozzle back to the front of the boom and press the “Stop” button to automatically retract the nozzle.

Emergency Troubleshooting

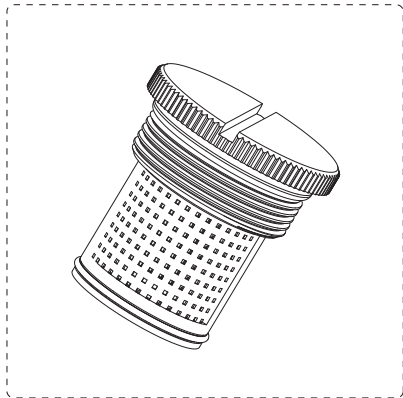
Maintenance of filter net

Time for maintenance: It is under normal water pressure but poor flush performance occurs.

1. Turn off power and the angle valve
2. Unscrew angle valve nut



3. Remove filter net

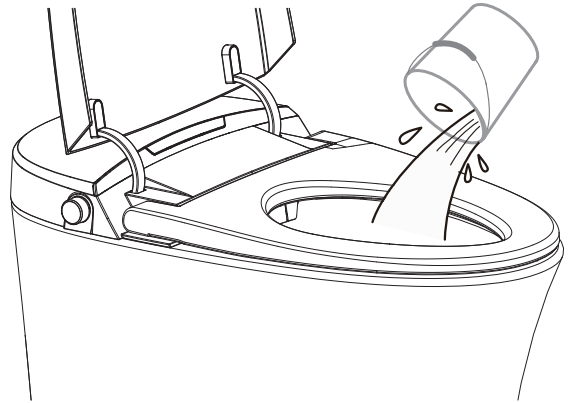


4. Use the brush to clean filter net
5. Reinstall filter and angle valve nut, turn on the angle valve and connect power, then it can work normally after self inspection.

No water supply

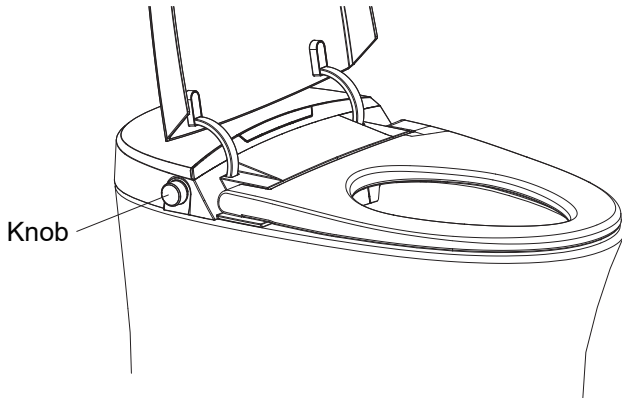
- Put around 8L water into a barrel and flush the bowl of ceramic.

Note: Avoid water spilling from bowl.



Failure of remote control

Operate through the toilet body knob

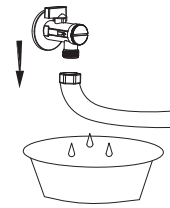


When the product is left unused for long time

- Especially in winter when no one at home for a long time, please drain out the water inside tank and pipe to prevent freezing.

To discharge water

1. Drain out the water inside tank
 - Activate flushing, and then turn off angle valve to prevent water inlet.
2. Unplug and cut off the electricity
3. Drain out the water inside pipe
 - Unscrew the hose connector off angle valve, drain the water in the pipe and reinstall.

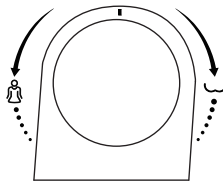


4. Handle the remaining water in bowl
 - It is suggested to put some antifreeze into water inside the bowl.



Note: Before water discharging, the power must be cut off!

Description of the knob function




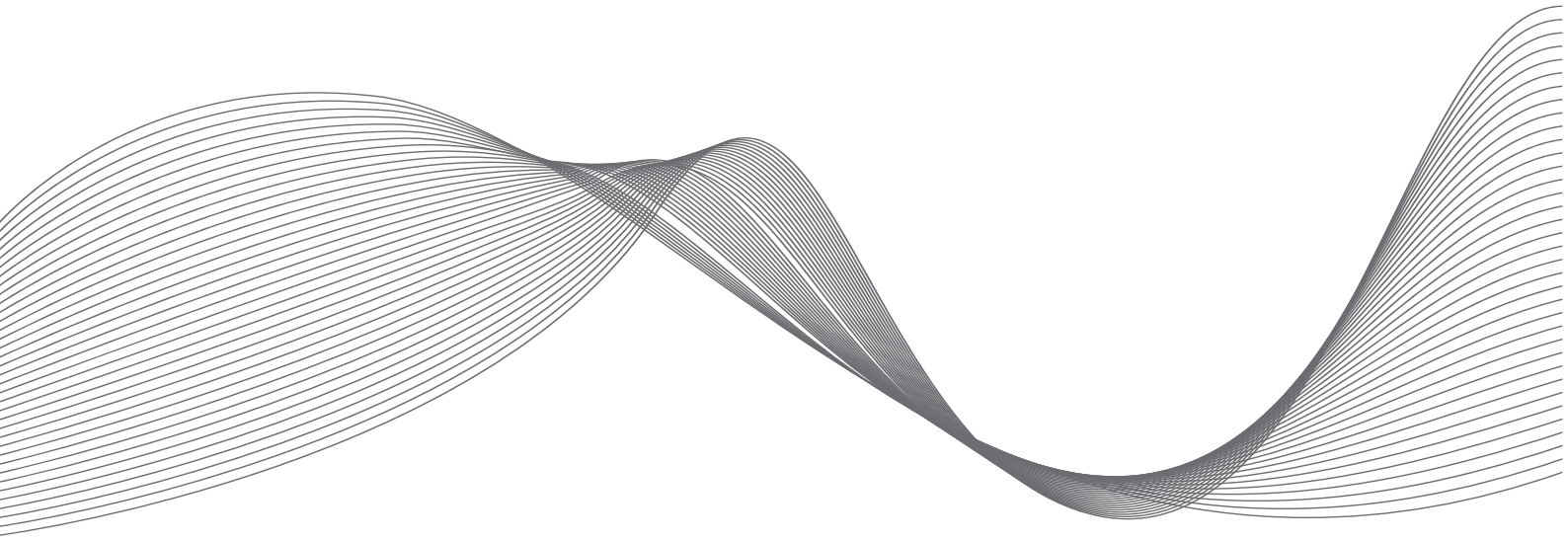
Knob operation instructions

1. The user is seated, and the knob rotates clockwise to start the rear cleaning function, and rotates counterclockwise to start the front cleaning function, and the rear and front clean function will automatically enter into the drying function after completion. (Note: default water pressure, water temperature, wind temperature, seat temperature, guide rod position are intermediate)
2. The user is not seated, and the knob rotates clockwise to start the manual cleaning function of the nozzle.
3. After starting the rear and front cleaning function, turn the knob clockwise to rotate the spray rod forward, and counter-clockwise to rotate the spray rod backward; Long press the knob to switch to the water pressure adjustment function. At this time, clockwise rotation increases the water pressure, while counterclockwise rotation decreases the water pressure. (Note: long press the knob to switch between the function of water pressure adjustment and position adjustment of spray rod under the condition of rear and front cleaning.)
4. After starting the drying function, the clockwise rotating wind temperature rises and the counterclockwise rotating wind temperature decreases.
5. In the function mode, for example, when performing functions such as rear cleaning, front cleaning, drying or nozzle cleaning, short press the knob to stop the function; in addition, press the knob to perform the toilet flushing.
6. In normal working mode, long press the knob, the host machine is shut down, and the system enters the standby state.
7. In standby mode, long press or short press the knob to enter the normal working mode.

- Tips:
- (1) When the host is in standby mode, the indicator light flashes completely off; When in the power saving mode, the knob indicator turns on the breathing light effect; When the power saving mode is exited and the function mode is exited, the knob indicator lights up in white.
 - (2) The default position of all function positions just set is in the middle position. When using the remote control, switch to the function position set by the remote control.

Troubleshooting Guide

Problem	Cause	Solution
No flushing	Water supply hose buckling causes block	Solve the buckling
	Fill valve is off	Turn on the fill valve
	Water supply is cut off	Connect water supply and wait for the water
Poor flushing	Water supply hose buckling causes partial block	Solve the buckling
	Fill valve is not fully turned on	Turn on the fill valve fully
	Filter is dirty and causes block	Clean the filter
Low water temperature	The water temperature is setted on normal temperature level	Reset the water temperature
Low seat temperature	The seat temperature is setted on normal temperature level	Reset the seat temperature
	In standby mode	Switch to functional mode and use it after 3 minutes of use
Low wind temperature	The wind temperature is setted on normal temperature level	Reset the wind temperature
No wind out	In standby mode or power save mode	Shift to function mode to use dry function
Spray wand cannot retracted	Power off	Push back the wand lightly and wait for the power
	Get stuck by impurities	Clear away the impurities
Spray wand cannot stretch out	Power off	Push back the wand lightly and wait for the power
	Do not sit in sensing area	Sit right in the sensing area
Remote control cannot display	Reverse the polarity of battery	Reload the battery
Malfunction of deodorization	User doesn't reach the sensing area in seat	Adjust to reach the sensing area
	Deodorization function keeps working after user leaves	It's a normal phenomenon if deodorization function keeps working after user leaves to ensure eliminating smell entirely
 Caution	If the problems cannot be solved as per above methods, please shut-off the power, and contact service providers for maintenance.	
	If the leakage circuit breacker often trips off, it means the products has electricity leakage, so please shut-off the power, and contact service provider for maintenance.	



The picture of product may not entirely consistent with actual appearance and color because of products improvement, please in kind prevail.