



Beyond Comfort

Showroom Address

100D Pasir Pajang Rd, #01-01,
Singapore 118520

Showroom Hours

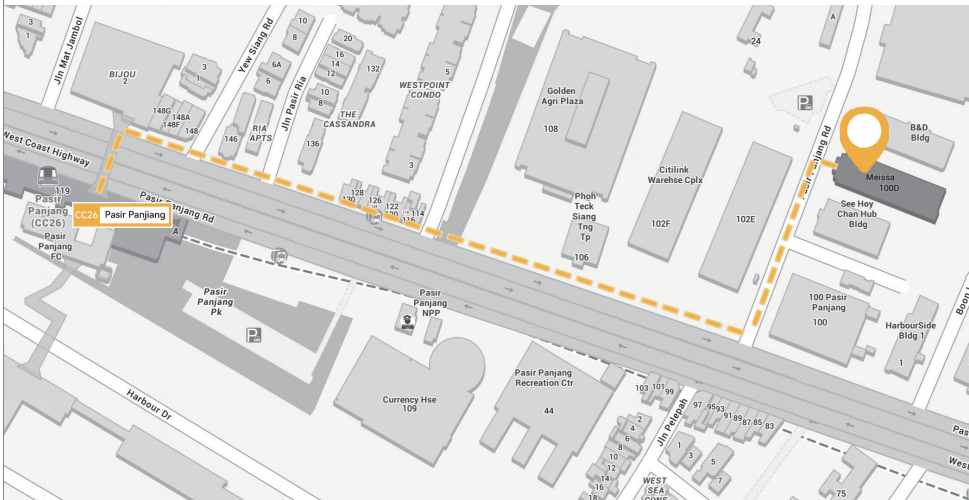
Monday to Sunday (except CNY)
11:00am-8:00pm

WhatsApp

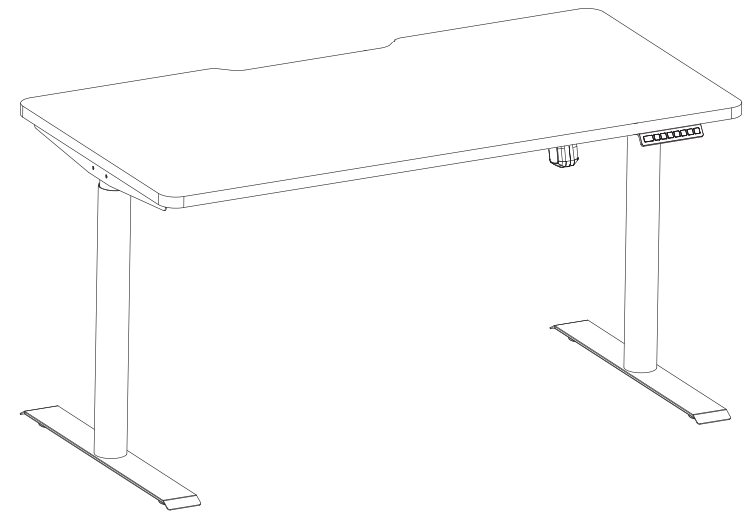
+65 8713 9556
(Message Only)

Email

sales@hinomi.sg



Intelligent electric lifting table instruction manual



Please read this manual carefully before installation and reading

Product name: Intelligent electric lifting table

Main material:

1.5mm thick steel
pipe 20# steel
2.0mm thick steel plate
304 stainless steel bar
2.0 mm thick steel pipe
2.0 mm thick steel plate
ABS plastic,PCB board
25mm thick wood pellet
board MFC veneer

Material parts:

Table leg pipe fittings
Lift screw
Flanks
Hexagon drive bar
beam
foot
Controller ;hand controlle
table base material
Desks facing

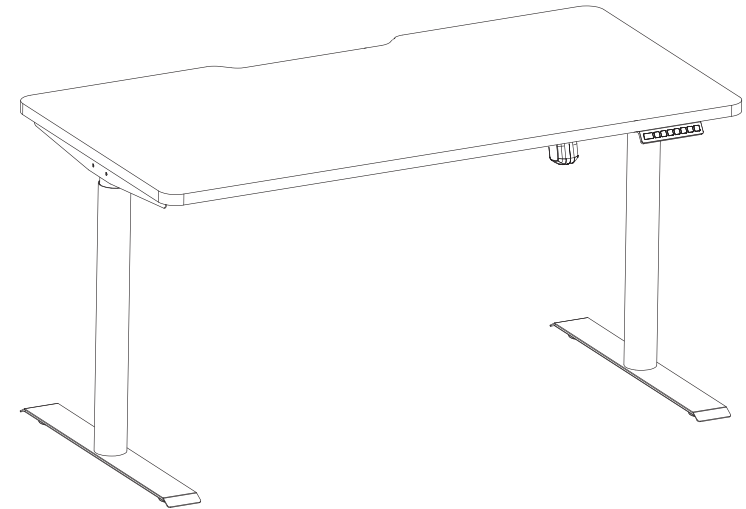
Auxiliary materials:

Metal screw bag
PVC edge banding

Material parts:

installation
Table edge sealing strip

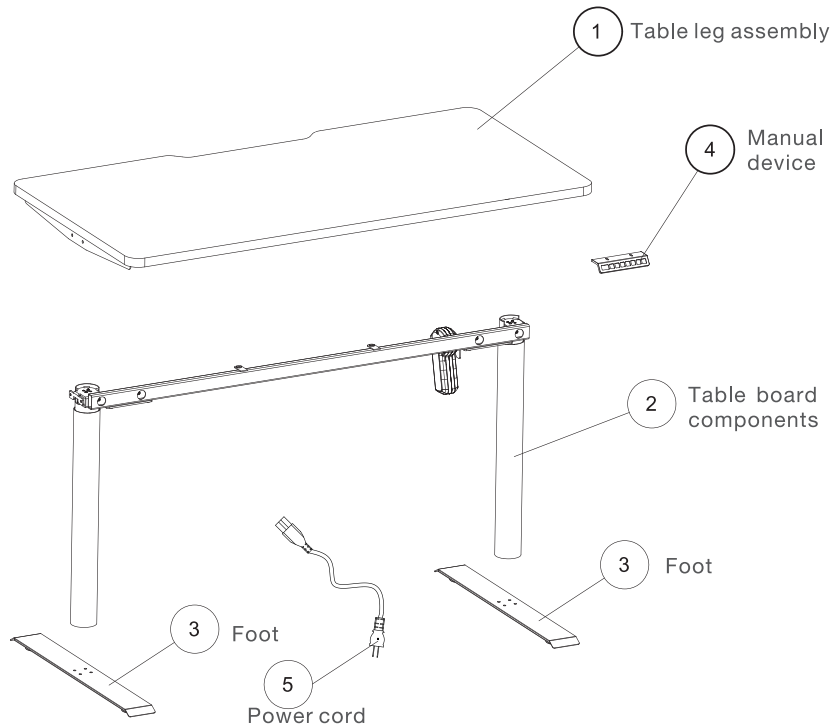
Product Model: MSC32T1
Execution standard: QB/T 5271-2018
Input voltage: DC 22-32V, 6A
Working mode: electric lifting
Work schedule: Max. 10% work 2 minutes and 18 minutes rest
(When the open landing table continues to rise or descend for 2 minutes, there will be a warning of overheating protection, and the LED screen will display "H01". The operation button of the lifting table will not be able to operate, and it will be restored to normal after 18 minutes.
Rated load: 800N (~80kg)
lifting speed: 22mm/s
Lifting stroke: 480mm
Minimum desktop height: 720mm
Maximum desktop height: 1200mm



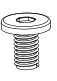
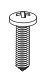




Precautions for use:

- 1.clean regularly, every week is advisable.
- 2.do not use a lot of water, corrosive liquids, chemicals when wiping.
- 3.The product must use a power supply that meets its electrical performance requirements.
- 4.Do not replace the connecting cable with other specifications.
- 5.This product should not work in the environment of humidity or extremely low and extremely high temperature for a long time, humidity and high temperature will lead to the failure of electronic components, low temperature will lead to the condensation of internal lubrication grease.
- 6.This product can only be used at home or office. Do not use it in other inappropriate situations.
- 7.Do not place objects that exceed the maximum load on the product.
- 8.If the fault occurs, please refer to this manual operation, if the fault cannot be solved, please contact after-sales personnel in time to deal with, do not dismantle the relevant parts without permission, to avoid electric shock, mechanical damage and other risks.

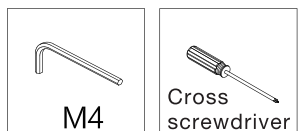
Installation Notes



Hardware fitting

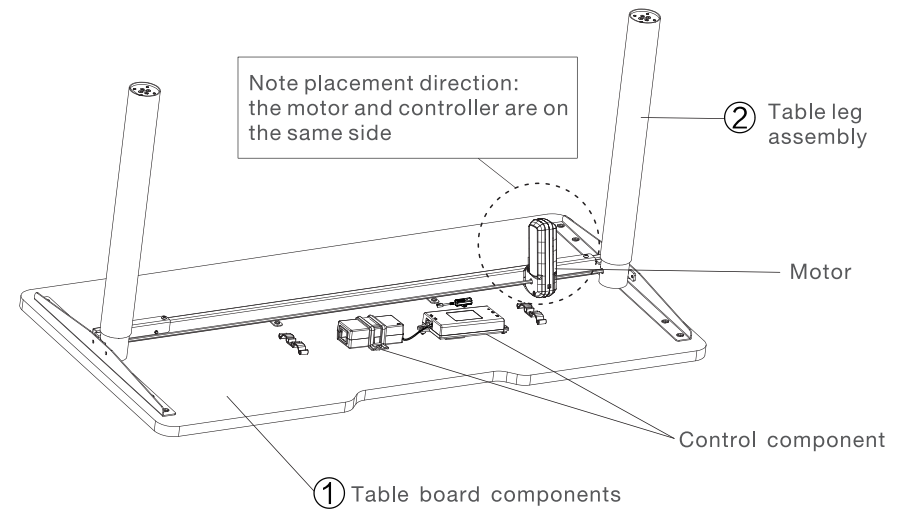
A	Quantity: 4	B	Quantity: 2	C	Quantity: 8	D	Quantity: 2	E	Quantity: 10	F	Quantity: 10
											
M6*10		ST5*20		M6*25		ST5*16		ST4*16		ATC-17	

Tool

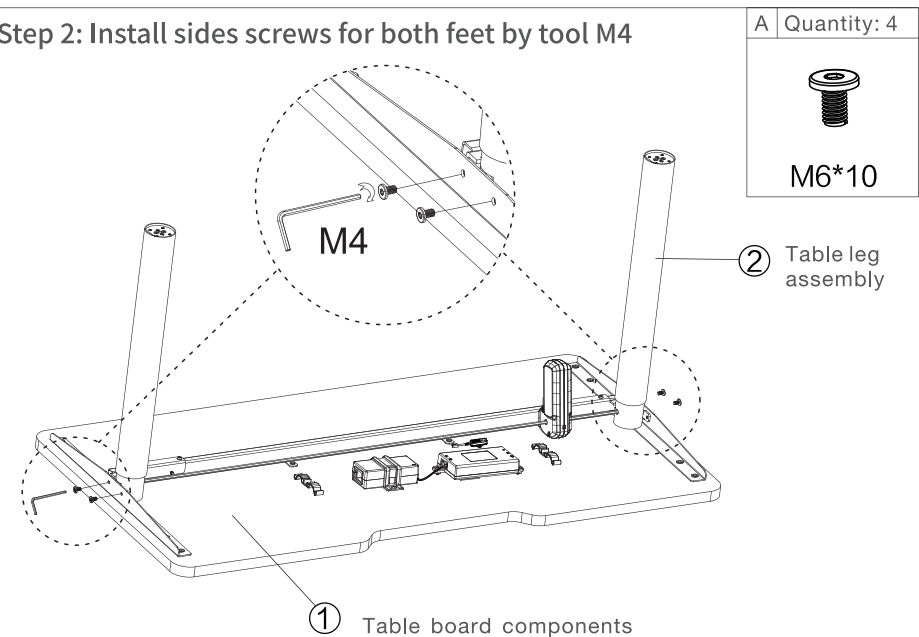


Installation Notes

Step 1: Place table feet ② on the table board ①



Step 2: Install sides screws for both feet by tool M4



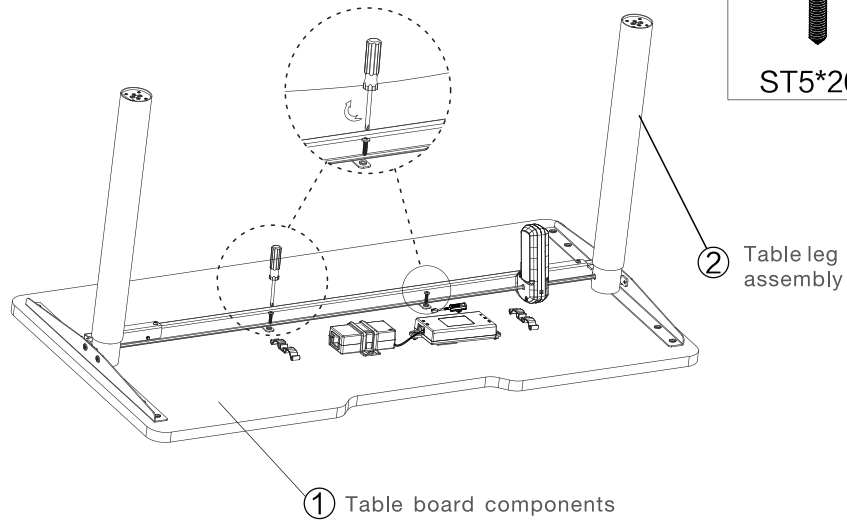
Installation Notes

Step 3: Lock the beam with screws

B Quantity: 2

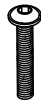


ST5*20

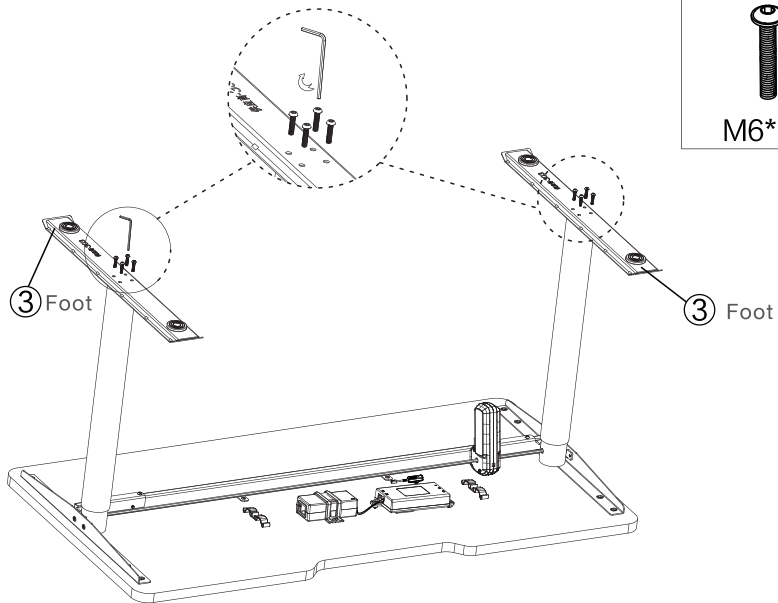


Step 4: Install screws on both feet

C Quantity: 8



M6*25



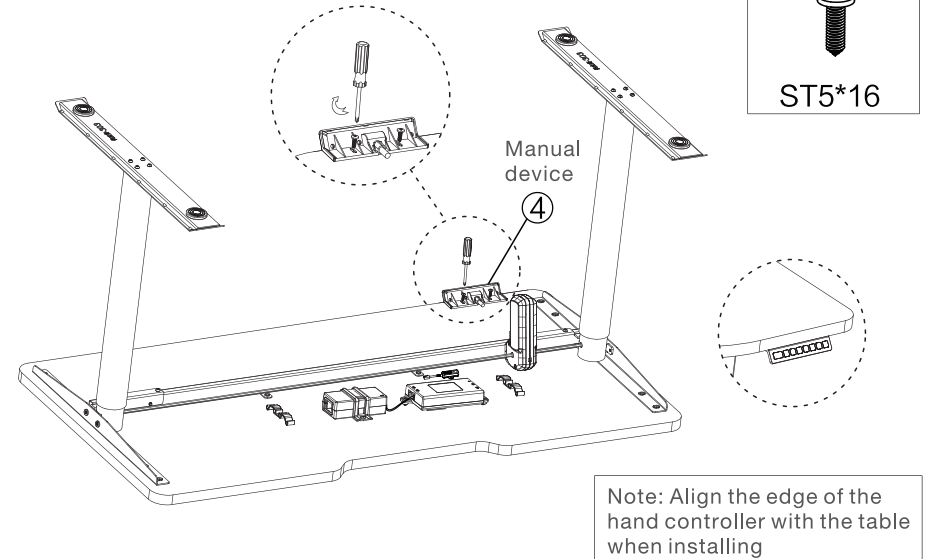
Installation Notes

Step 5: Fix voice-operated control by screws

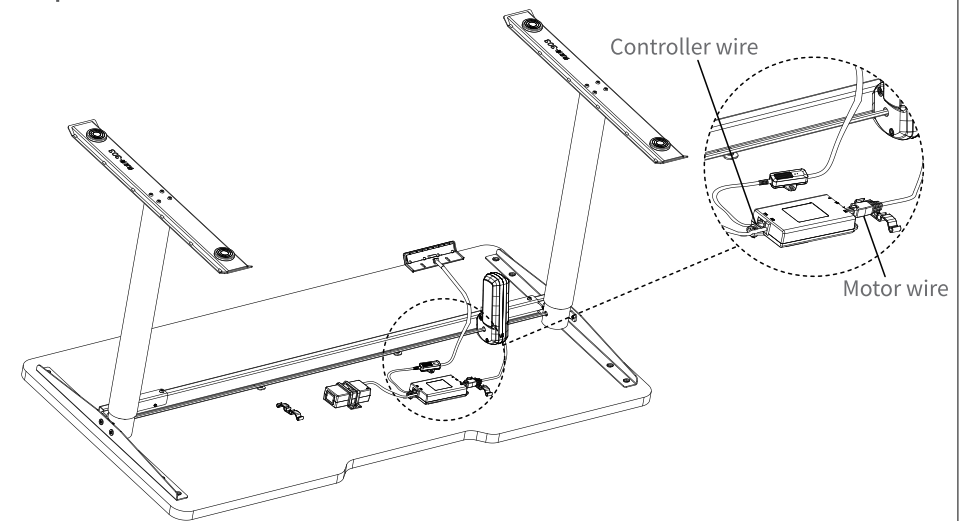
D Quantity: 2



ST5*16

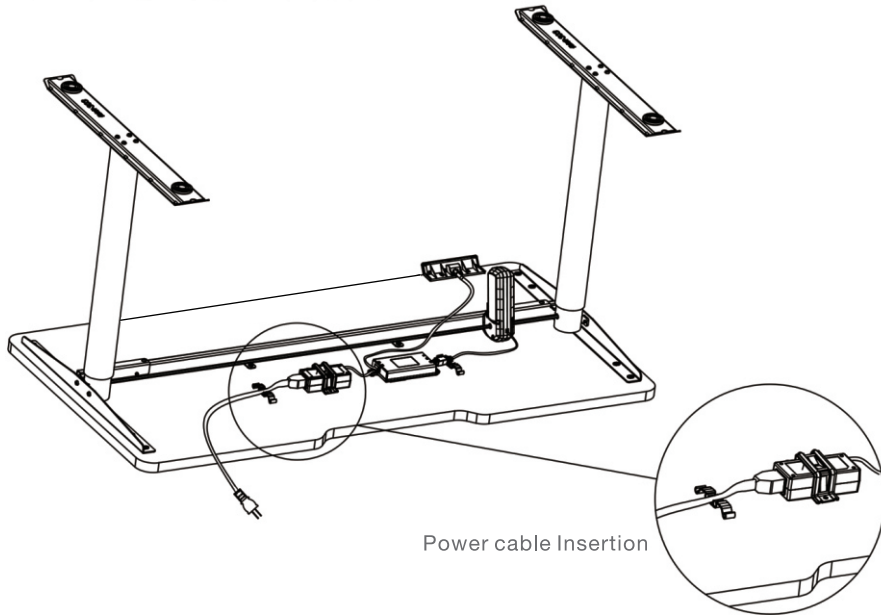


Step 6: Connect motor wire and controller wire





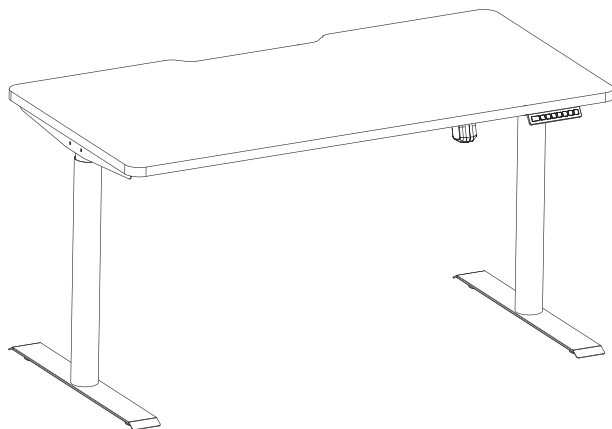
Installation Notes

Step 7: Insert power cord

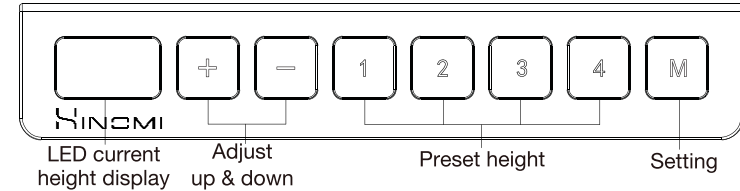


Step 8 Rearrange the power cord with ST4*16&ATC-17, Assembly

E	Quantity: 10	F	Quantity: 10
 ST4*16		 ATC-17	



Operation Instruction



The whole manual controller is operated by pressing buttons. When there is no operation for 10 seconds, the display screen will go to sleep. You can wake up the screen by pressing random buttons and continue to use the screen when it lights up.

■ LED current height display

Displays table height values.

■ Adjust up & down

Adjust the height of the table by pressing the up/down buttons until it fits your best position.

■ Preset height (1/2/3/4)

After setting the memory key, it will automatically rise and fall to the height of memory.

※ Set memory height

Touch the 'M' key: the display shows 'S-'. Touch one of the number keys, the current height will be stored to that key.

■ Setting (M)

To set the memory location and internal parameters, press 'M'.

■ Resetting the base

Condition

Error E07-E09 (Even if it is restarted, it is still an error display and pressing any key doesn't work.)

Operation

After pressing the down for 5 seconds, the display shows RST. Release the button the down button again to reset.

■ Safety function

In the process of rising or falling, the table will automatically rebound when encountering reverse resistance.

■ Set the upper limit

Touch the 'M' key: the display shows 'S-'. Touch the 'UP' key: the display flashes.

Touch and hold the 'M' key for 2s until the display shows '999'. The upper limit is now stored.

■ Set the lower limit

Touch the 'M' key: the display shows 'S-'. Touch the 'DOWN' key: the display flashes.

Touch and hold the 'M' key for 2s until the display shows '000'. The lower limit is now stored.

■ Delete height limits

Touch the 'M' key: the display shows 'S-'. Touch and hold the 'M' key for 2s until the display shows '555'. Both upper and lower limits are deleted.

Operation Instruction

■ Locking

Press M button, the screen shows “s-”, keep it for 5 seconds, The screen returns the number, continue to hold the M button for 3 seconds; The screen shows LOC to complete the lock.

■ UnLocking

In the LOC situation, press the button for 8 seconds; When the screen displays the number, it is unlocked.

■ Change the RESET height

Under the reset situation, it shows RST, press M button for 5 seconds, screen shows height and flashes; Then press up or down button to adjust the height to what you need; Release the button for 5 second shows RST, successfully adjust.

■ Memory point continuous switching

Under the Reset situation, it shows RST; Press key 1 for 5 seconds, switch memory point and memory continuous change:

Screen shows “10.1” memory point continuous change.

Screen shows “10.2” memory point change.

■ Changing between inches and centimeters

Press and hold the “2” Button for about 5 seconds to switch the setting. The display will automatically return to a flashing “RST” . Press the DOWN button until the desk lower a little more and slightly risen.

The new setting is displayed.

Repeat the process to switch back.

“10.3” is centimeters, “10.4” is inches.

■ Changing the anti-collision sensitivity

Follow the Reset instructions until the LED flashes “RST”. Press and hold the UP button for about 5 seconds while the LED flashes “RST” and then switches to either:

10.5 = 10kg pressure (most sensitive)

10.6 = 15kg pressure (middle sensitive)

10.7 = 20kg pressure (least sensitive)

■ Normal problems and solutions

1. If your desk has the problems as below, please try to reset it

- Abnormal work
- Handset shows “RST”
- Handset shows error code but all the cables connected normal.

2. If handset shows “HOT”, please cut off the electrical source for about 20 minutes.

■ Troubleshooting and inspection

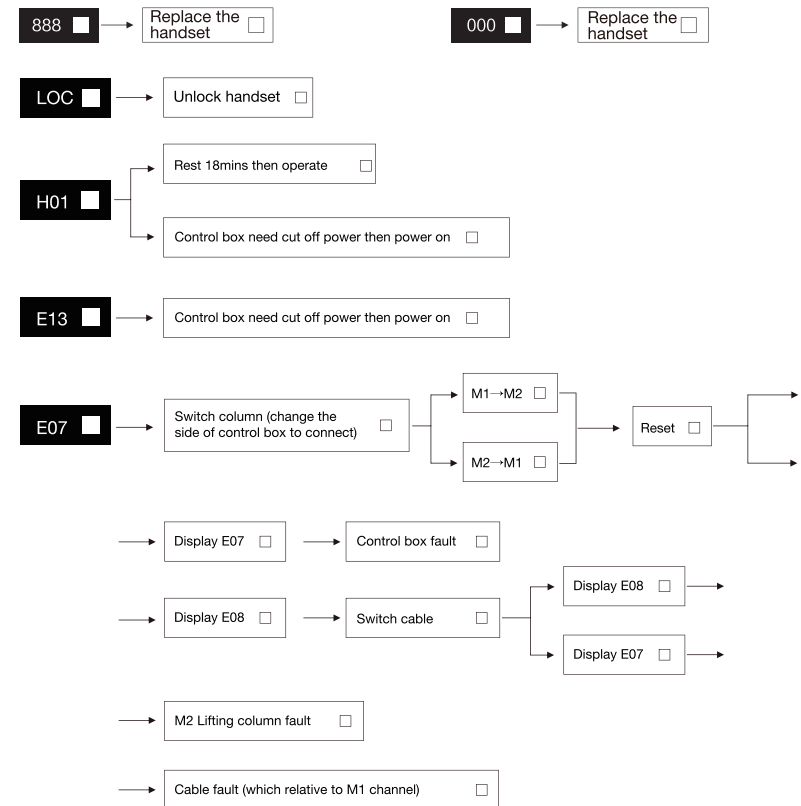
Connect the connecting cables to control box/lifting column /power supply

Remarks:

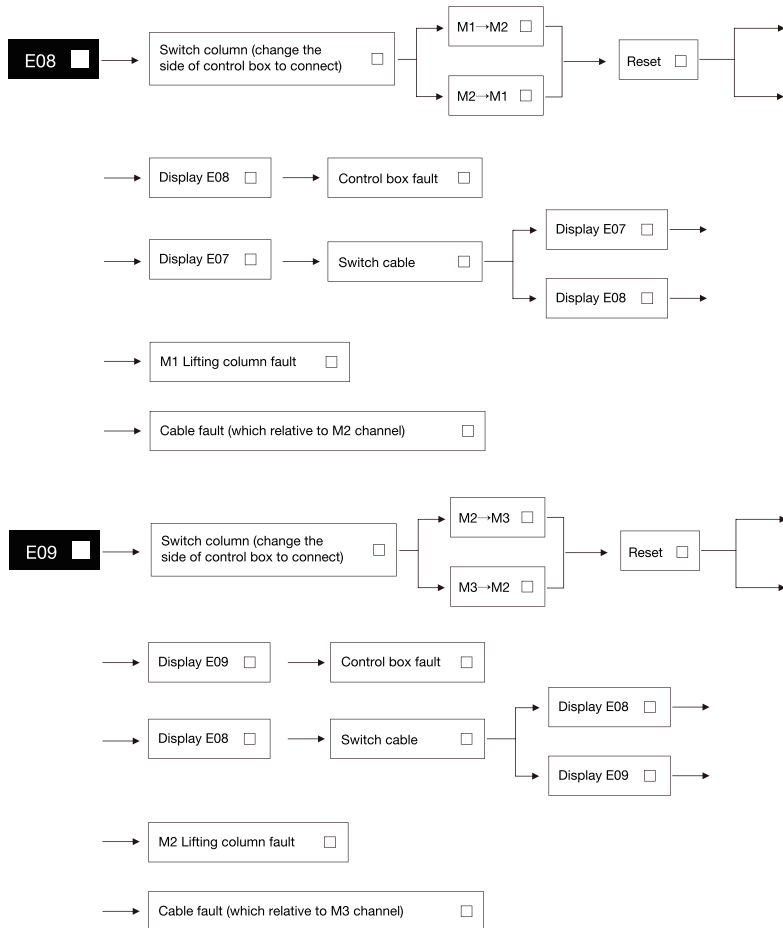
1. M1 and M2 are the interface of N2 control box which connect the lifting columns.
2. M3 is the interface in the JC35TT product (three-column N3 control box) which connect the third lifting column.
3. E07 indicate the M1 line Hall error. If the error code still exists after resetting, then need troubleshooting.
4. E08 indicate the M2 line Hall error. If the error code still exists after resetting, then need troubleshooting.
5. E09 indicate the M3 line Hall error. If the error code still exists after resetting, then need troubleshooting.

Operation Instruction

*Please mark “√” or “x” in the after you perform this step. Or write down the comments in the bottom comments list if you have any inquiries.



Operation Instruction



Voice Control Operation Instruction

Wake word

No.	Wake word
1	Hi,desk

The command word

No.	The command word		
1	going up	28	to six nine zero
2	going down	29	to seven zero zero
3	stop running	30	to seven one zero
4	to memory one	31	to seven two zero
5	to memory two	32	to seven three zero
6	to memory three	33	to seven four zero
7	to memory four	34	to seven five zero
8	setting memory one	35	to seven six zero
9	setting memory two	36	to seven seven zero
10	setting memory three	37	to seven eight zero
11	setting memory four	38	to seven nine zero
12	setting upper limit	39	to eight zero zero
13	setting lower limit	40	to eight one zero
14	volume turn up	41	to eight two zero
15	volume turn down	42	to eight three zero
16	to max volume	43	to eight four zero
17	to min volume	44	to eight five zero
18	reset the desk	45	to eight six zero
19	to six zero zero	46	to eight seven zero
20	to six one zero	47	to eight eight zero
21	to six two zero	48	to eight nine zero
22	to six three zero	49	to nine zero zero
23	to six four zero	50	to nine one zero
24	to six five zero	51	to nine two zero
25	to six six zero	52	to nine three zero
26	to six seven zero	53	to nine four zero
27	to six eight zero	54	to nine five zero

Operation Instruction

No.	The command word		
55	to nine six zero	88	to one two nine zero
56	to nine seven zero		
57	to nine eight zero		
58	to nine nine zero		
59	to one zero zero zero		
60	to one zero one zero		
61	to one zero two zero		
62	to one zero three zero		
63	to one zero four zero		
64	to one zero five zero		
65	to one zero six zero		
66	to one zero seven zero		
67	to one zero eight zero		
68	to one zero nine zero		
69	to one one zero zero		
70	to one one one zero		
71	to one one two zero		
72	to one one three zero		
73	to one one four zero		
74	to one one five zero		
75	to one one six zero		
76	to one one seven zero		
77	to one one eight zero		
78	to one one nine zero		
79	to one two zero zero		
80	to one two one zero		
81	to one two two zero		
82	to one two three zero		
83	to one two four zero		
84	to one two five zero		
85	to one two six zero		
86	to one two seven zero		
87	to one two eight zero		