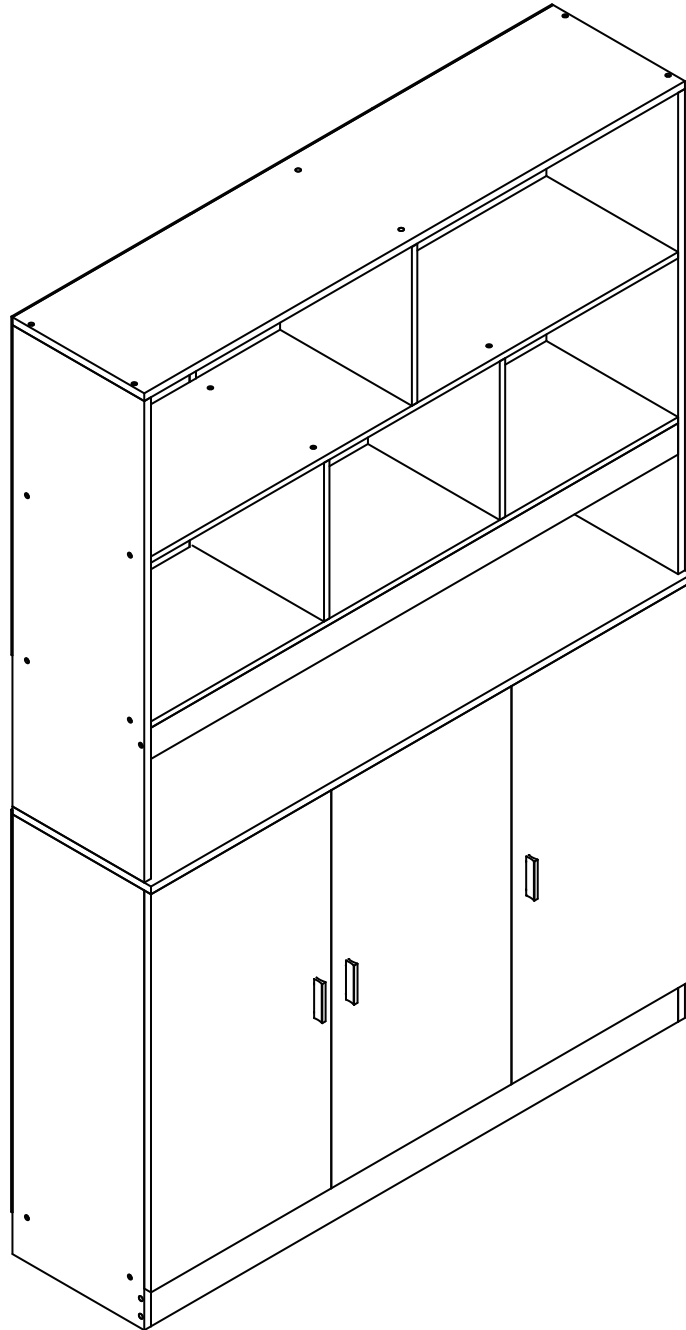
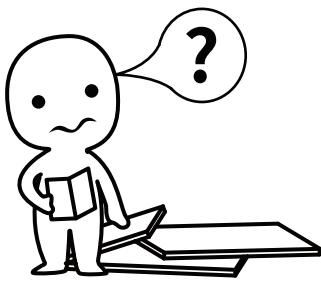


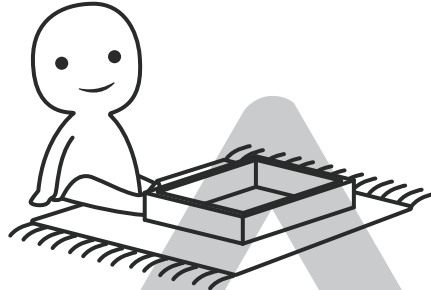
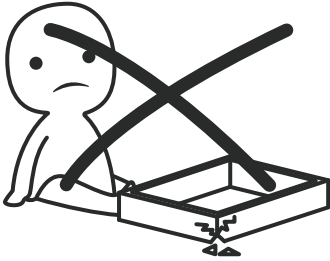
# Display Stand





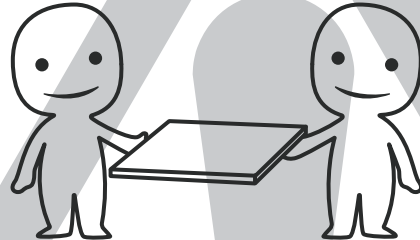
## IMPORTANT INFORMATION!

please read the entire manual before starting to assemble and/or using this product. follow the manual thoroughly and keep it for further reference.



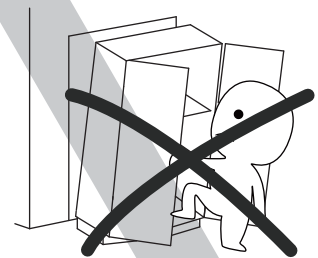
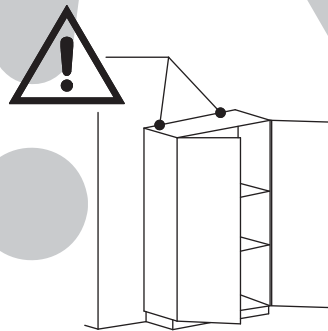
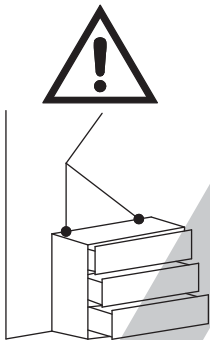
## AVOID SCRATCHES!

In order to avoid scratching this furniture should be assembled on a soft layer- could be a rug.



## IMPROVE EFFICIENCY !

Try to find a partner to install with you, which can speed up the installation efficiency and shorten the time.



## ANTI-TOPPLE WARNING !

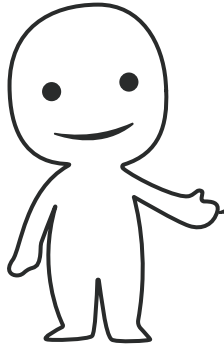
Overturnd furniture can cause serious or fatal crush injuries. To prevent tipping over, be sure to use the wall attachment, if not included with this product. Please purchase the wall attachment that fit your wall. If unsure, seek professional advice. Please read and follow each step of the instructions carefully.

## IMPORTANT !

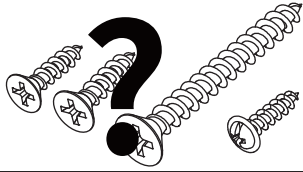
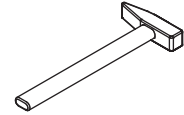
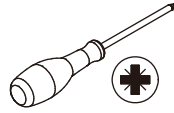
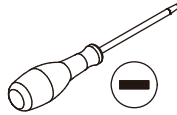
It is important that any product which is assembled using any kind of screw is re-tightened 2 weeks after assembly, and once every 3 months - in order to assure stability through-out the lifespan of the product.

For regular maintenance and cleaning of the product, for the frame, please use a rag dipped in neutral detergent to fully wipe it, and then dry it with a clean rag. For glass materials, wipe with a rag dampened with water glass cleaner, and then dry with a dry rag.

Do not use an electric screwdriver, and do not use too much force when installing, because the board is easy to break.

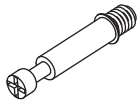


Please prepare the following tools



When installing, please carefully confirm whether each screw corresponds to the manual, accessories with similar shapes can be distinguished by size

Ax12(+1)



Ø6x35mm

Bx12(+1)



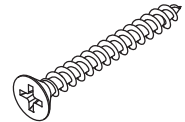
Ø15x10mm

Cx44(+3)



Ø6x30mm

Dx40(+3)



Ø4x40mm

Ex36(+3)



Ø4x14mm

Fx4



Gx3

G-1



G-2



Hx8



Ix24(+2)



Ø3x12mm

Jx2

J-1



J-2



J-3



Kx2

K-1



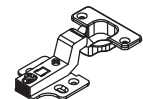
K-2



K-3



Lx2



Mx36(+3)

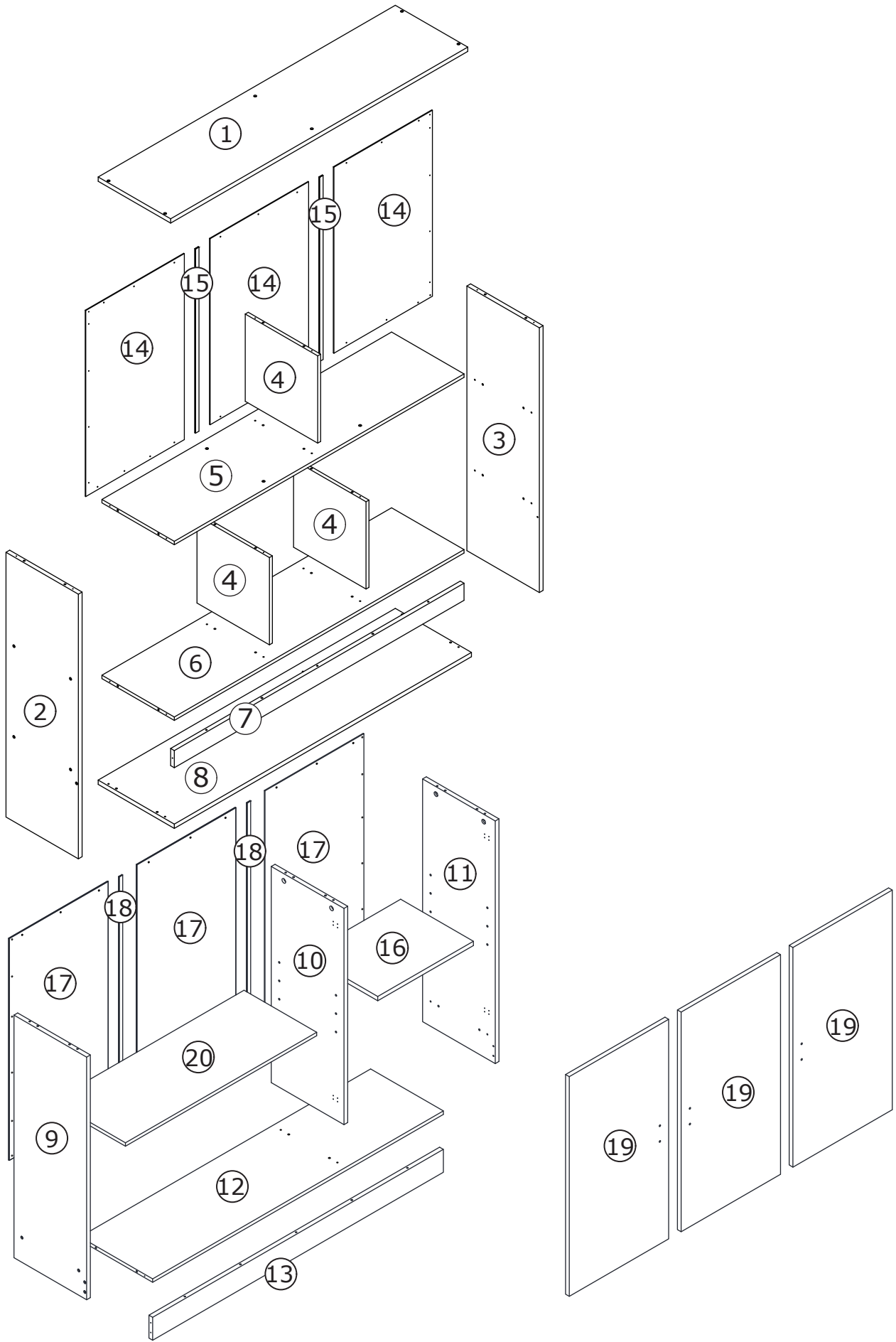


Nx24(+2)



Ox6

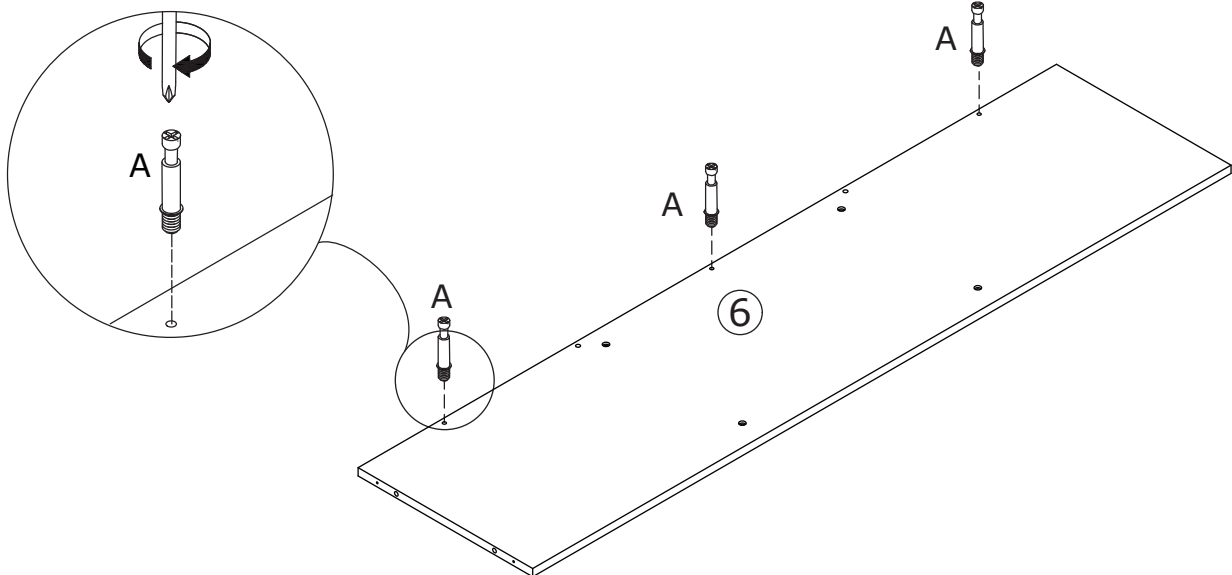
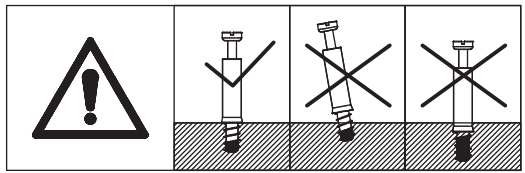




# 1



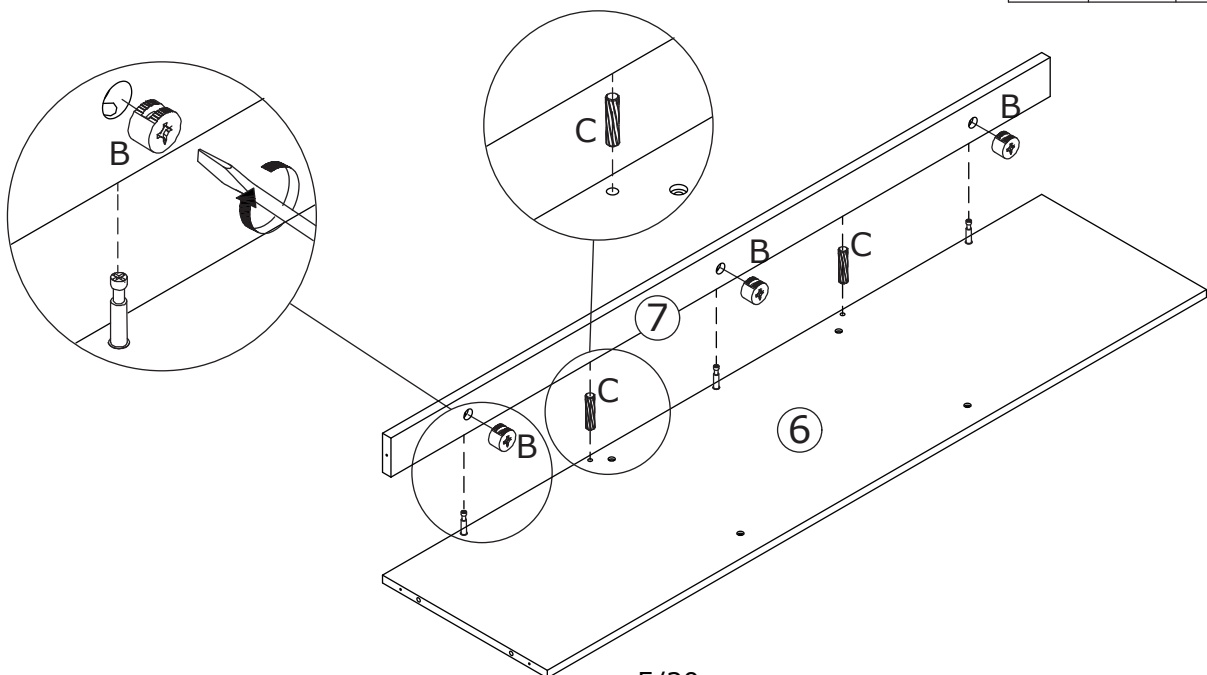
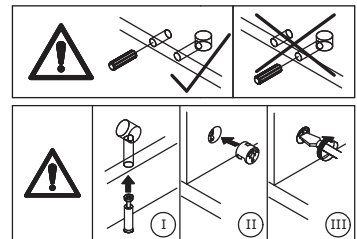
Insert quickfit screw(A) into No.6 plate with a screwdriver as shown.



# 2



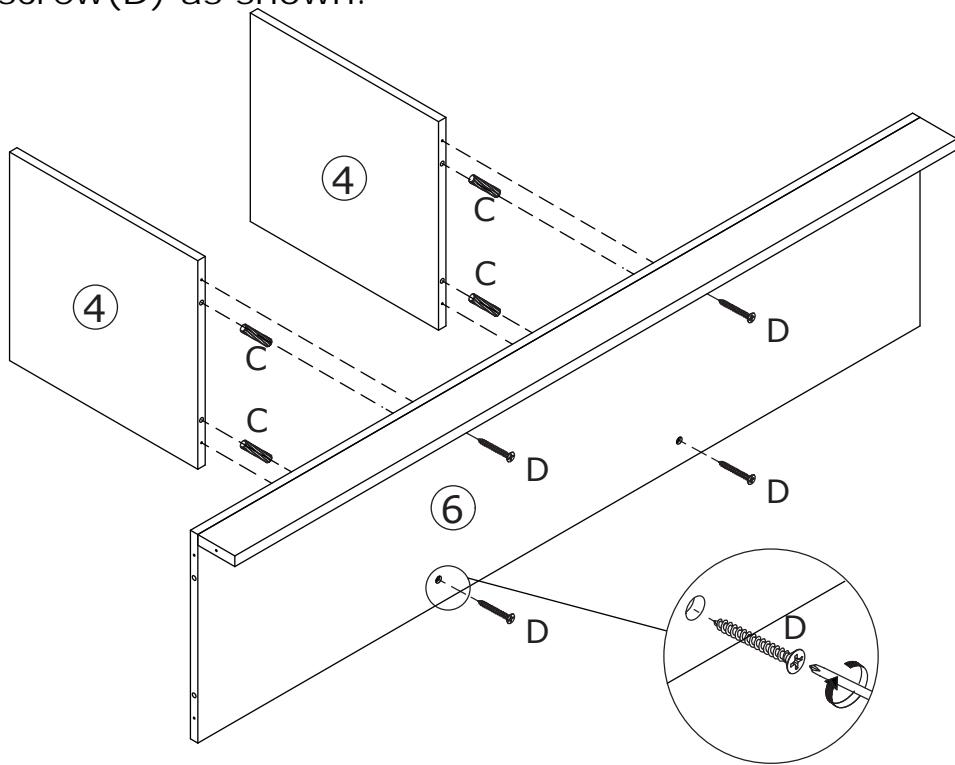
Connect No.6 and No.7 plate using wooden dowel(C), and then turn cam lock(B) clockwise to tighten as shown.



3



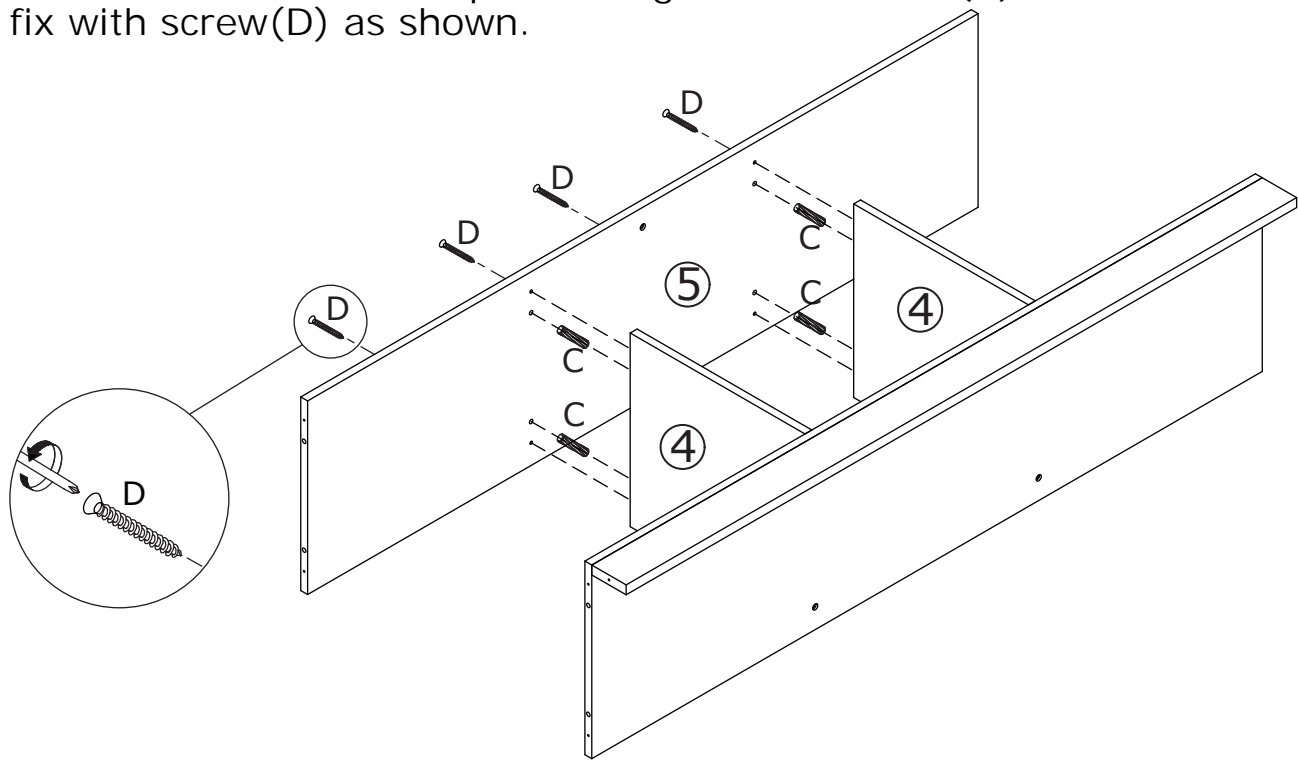
Connect No.4 with No.6 plate using wooden dowel(C) and fix with screw(D) as shown.



4



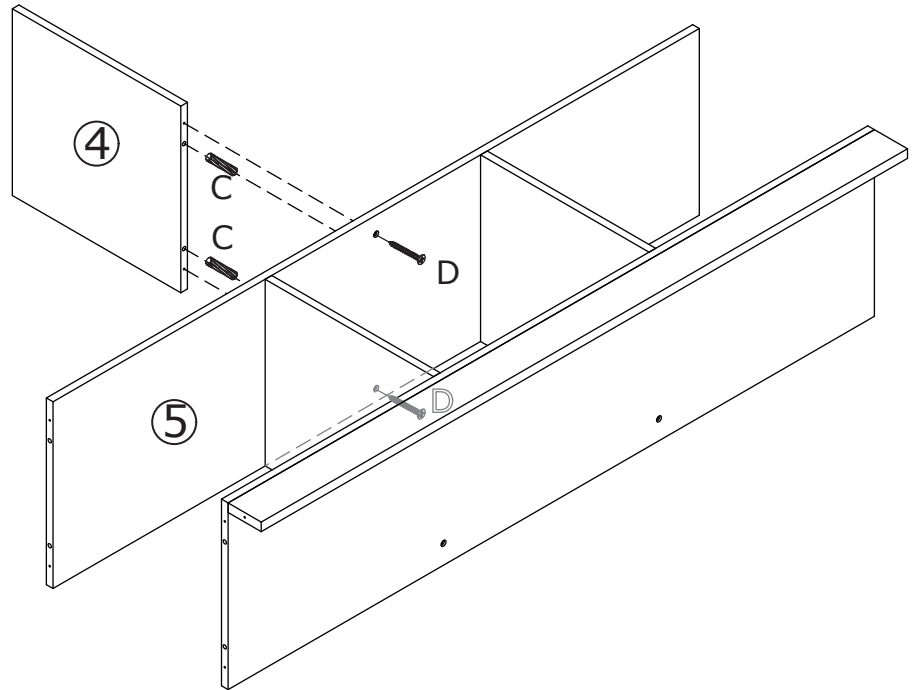
Connect No.5 with No.4 plate using wooden dowel(C) and fix with screw(D) as shown.



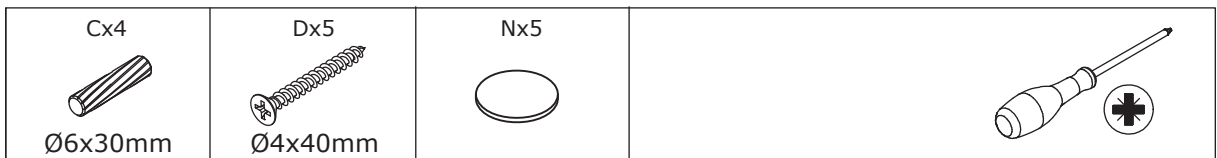
5



Attach another No.4 plate to No.5 using wooden dowel(C) and fix with screw(D) as shown.

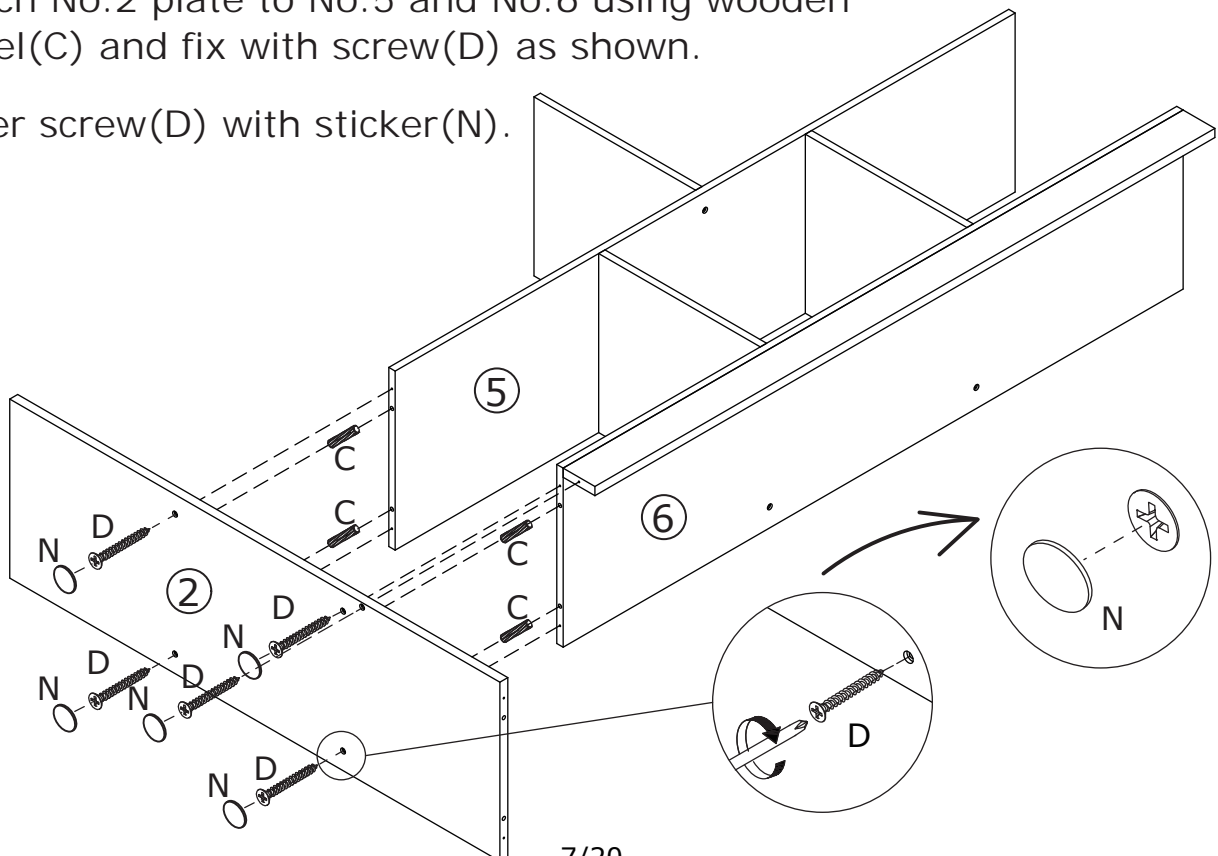


6

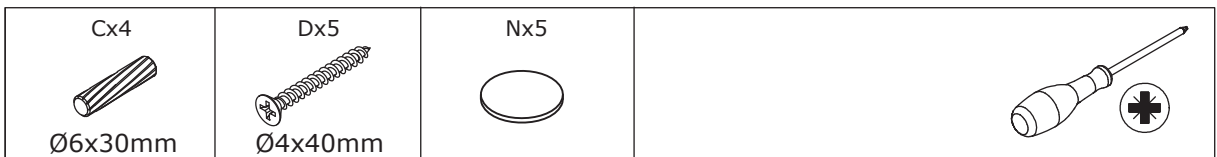


Attach No.2 plate to No.5 and No.6 using wooden dowel(C) and fix with screw(D) as shown.

Cover screw(D) with sticker(N).

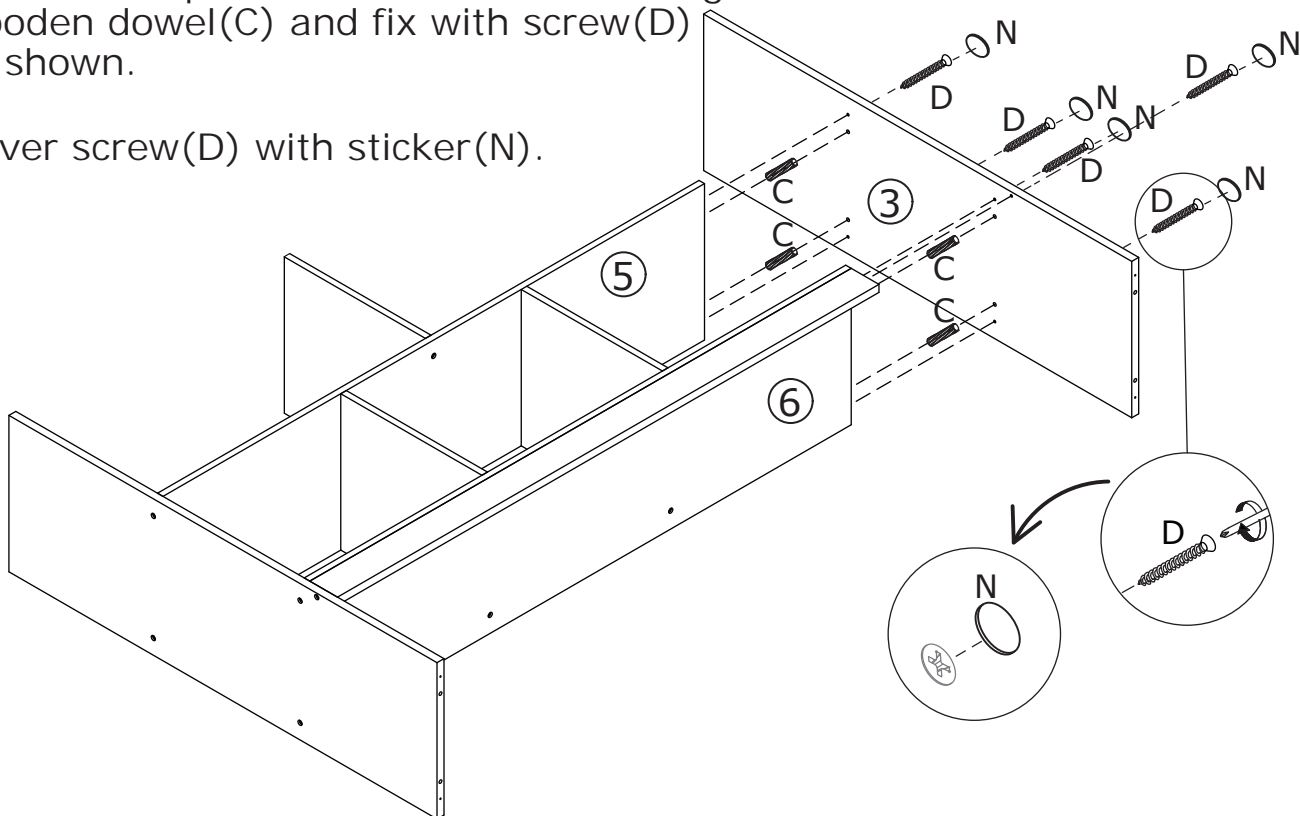


7

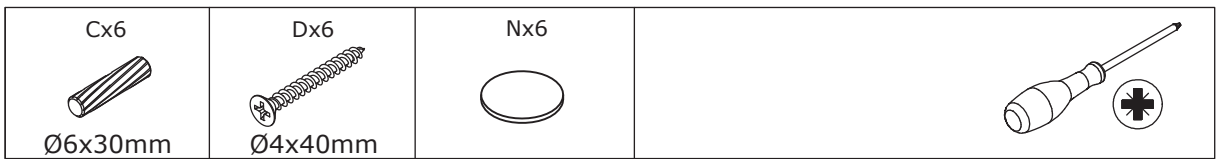


Attach No.3 plate to No.5 and No.6 using wooden dowel(C) and fix with screw(D) as shown.

Cover screw(D) with sticker(N).

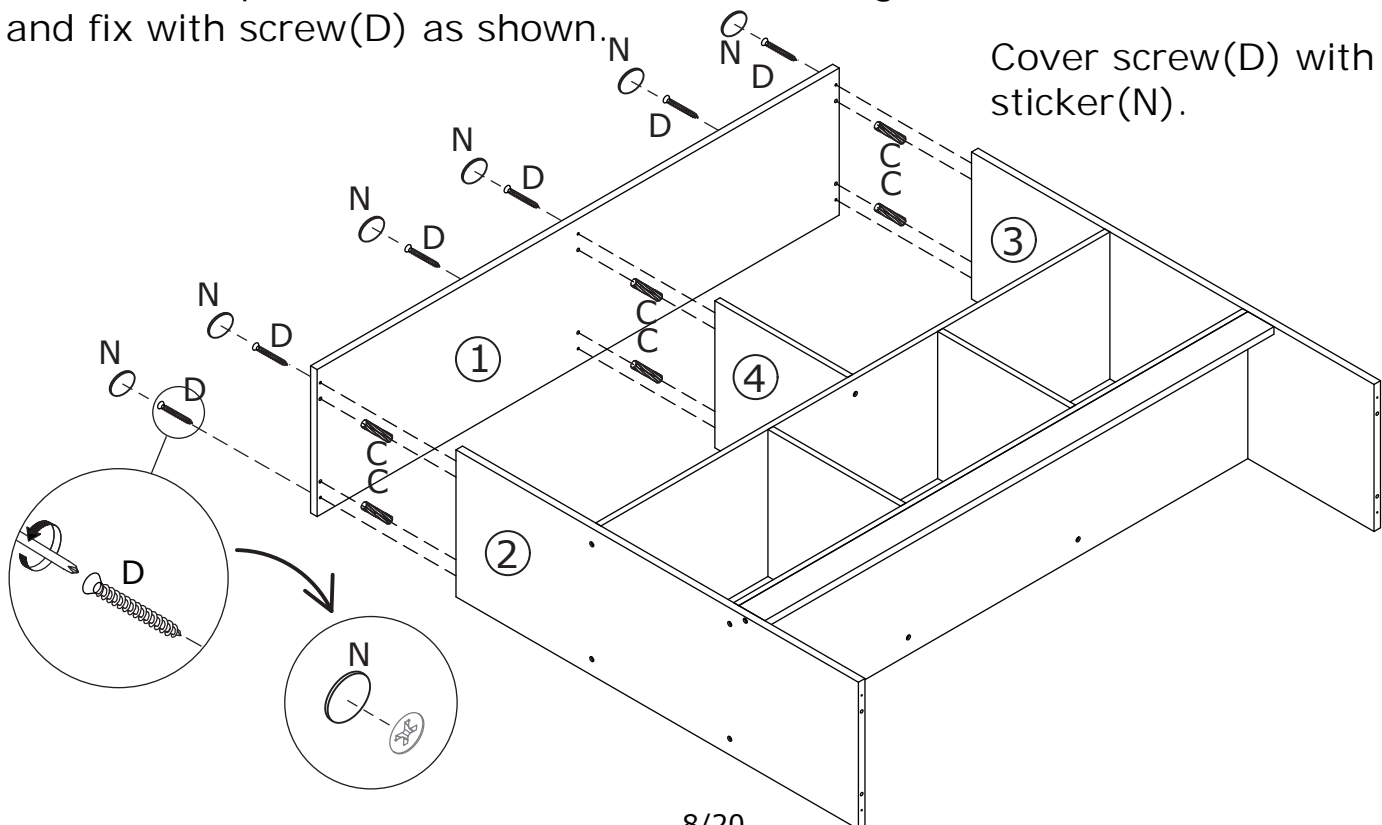


8



Attach No.1 plate to No.2 ,No.4 and No.3 using wooden dowel(C) and fix with screw(D) as shown.

Cover screw(D) with sticker(N).

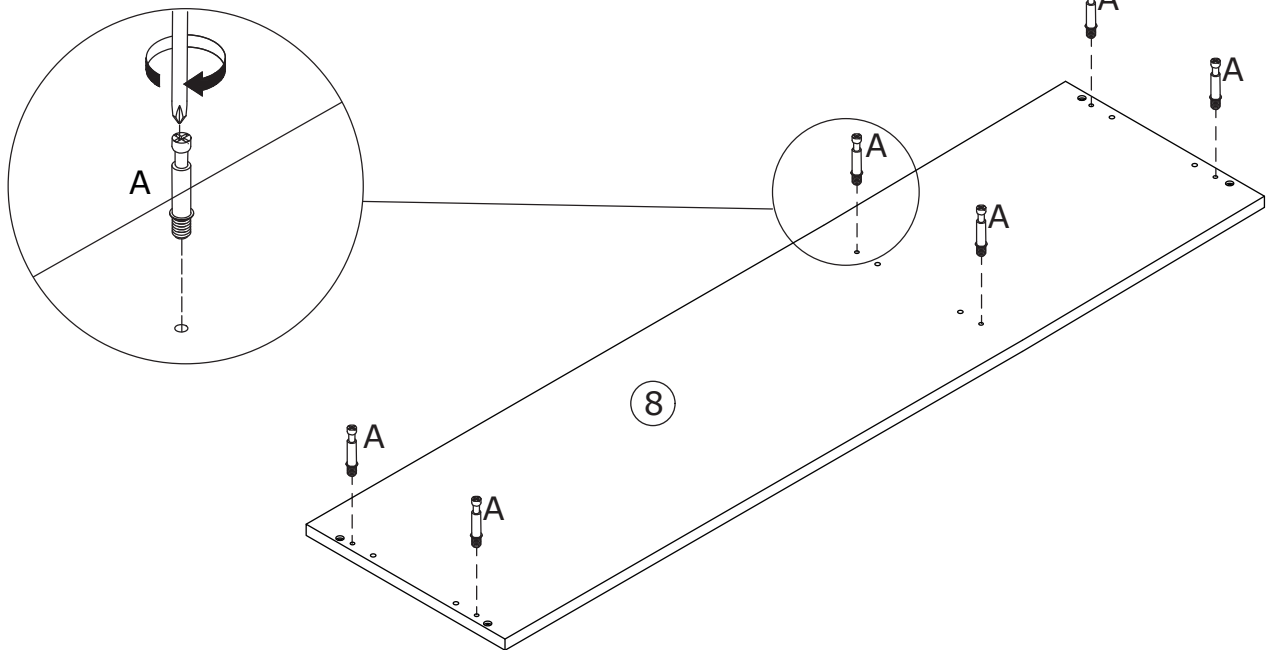
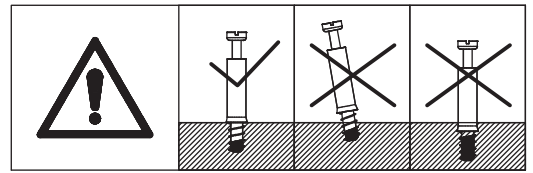




9



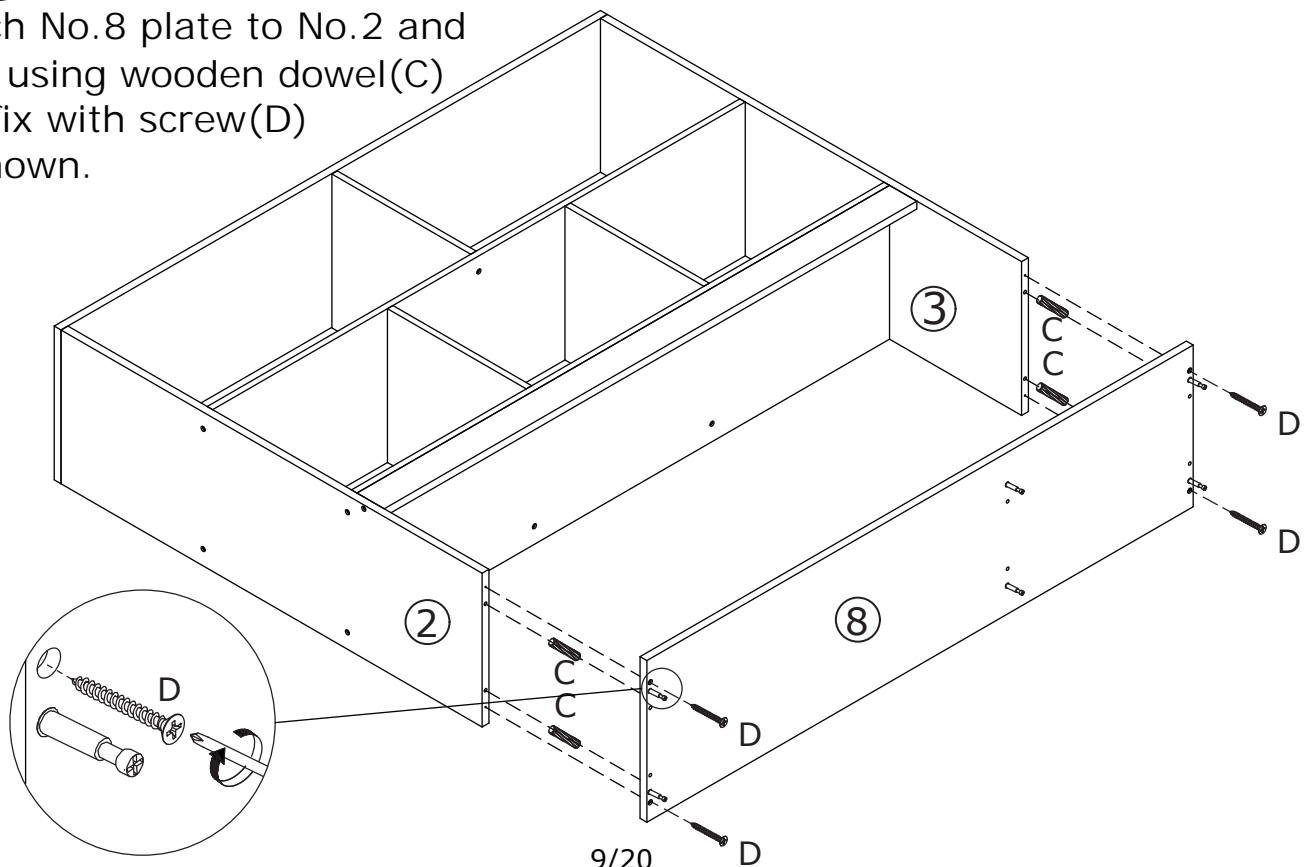
Insert quickfit screw(A) into No.8 plate with a screwdriver as shown.



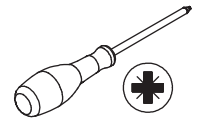
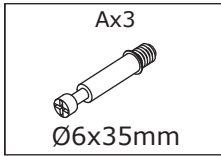
10



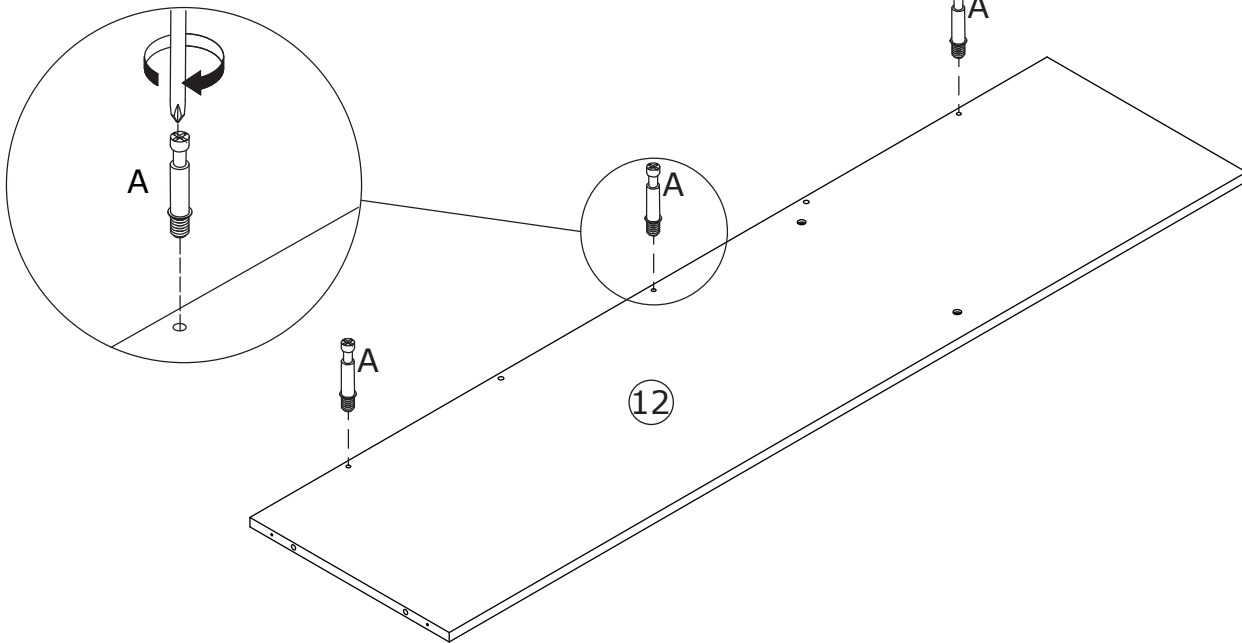
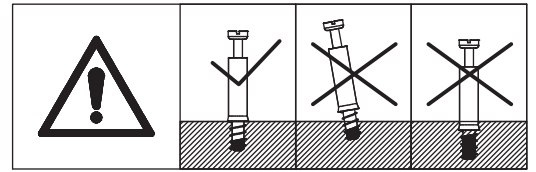
Attach No.8 plate to No.2 and No.3 using wooden dowel(C) and fix with screw(D) as shown.



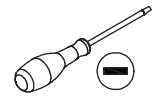
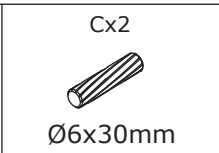
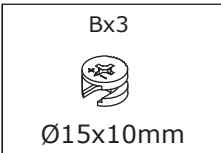
# 11



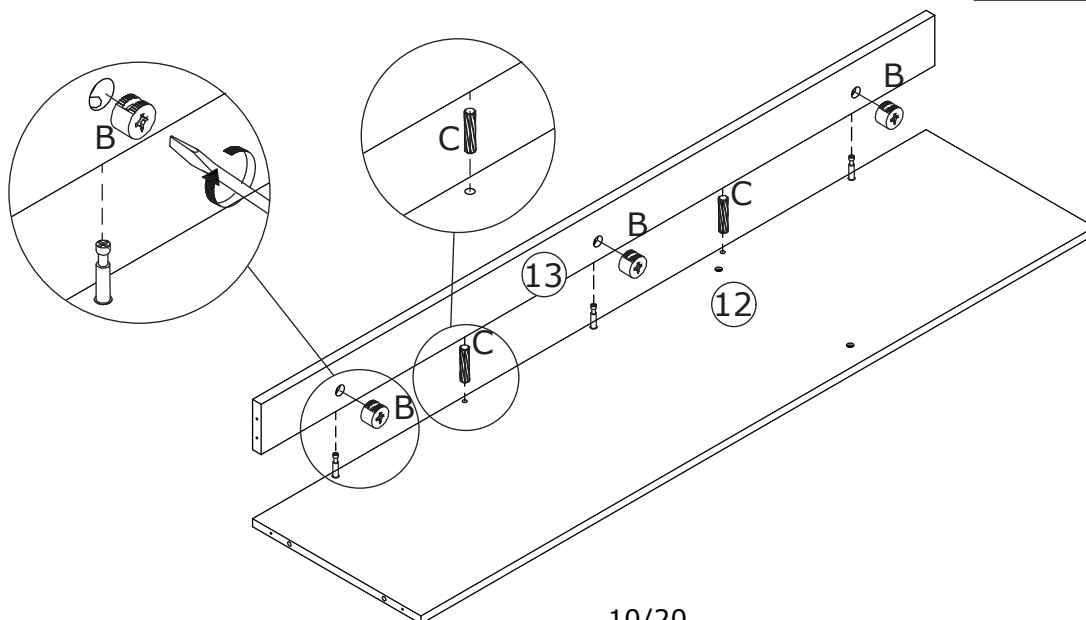
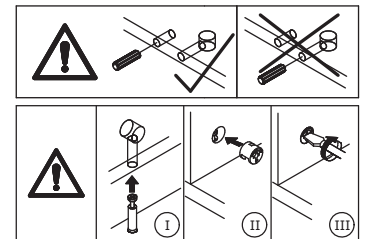
Insert quickfit screw(A) into No.12 plate with a screwdriver as shown.



# 12



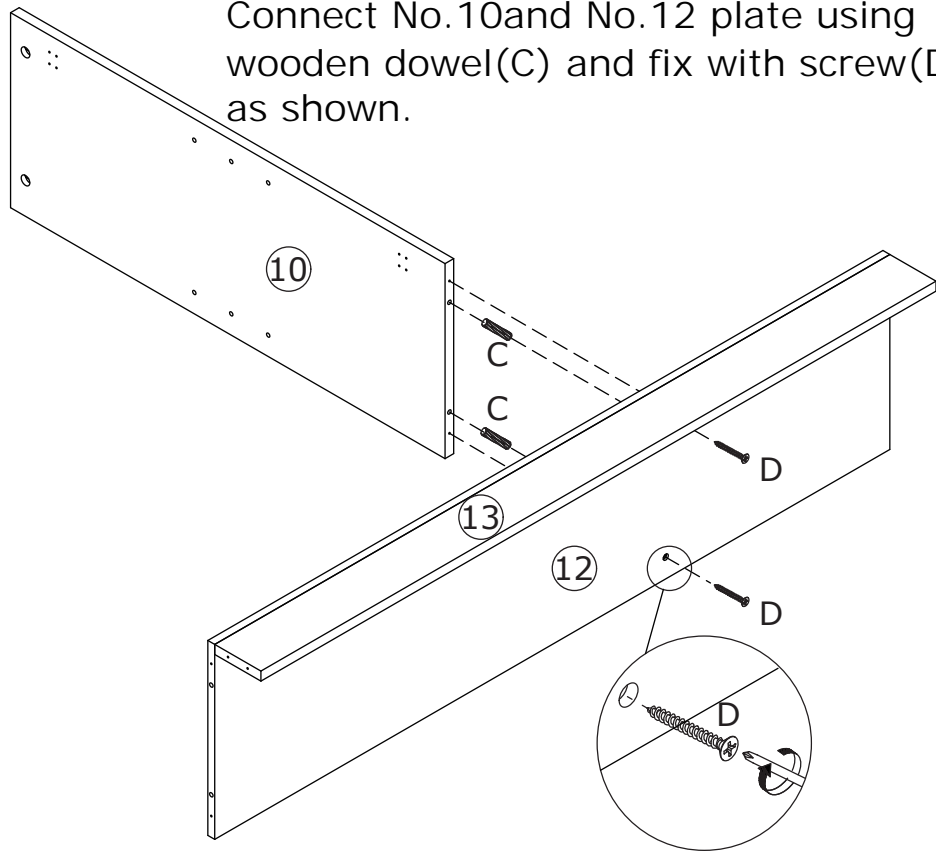
Connect No.12 and No.13 plate using wooden dowel(C), and then turn cam lock(B) clockwise to tighten as shown.



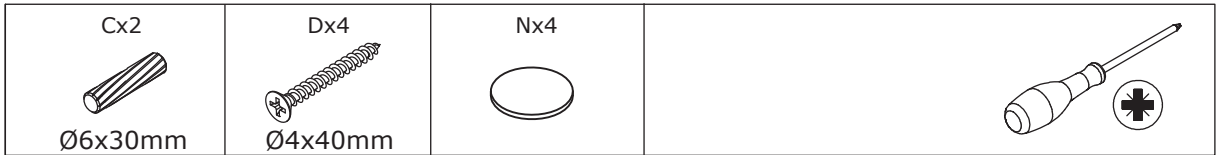
13



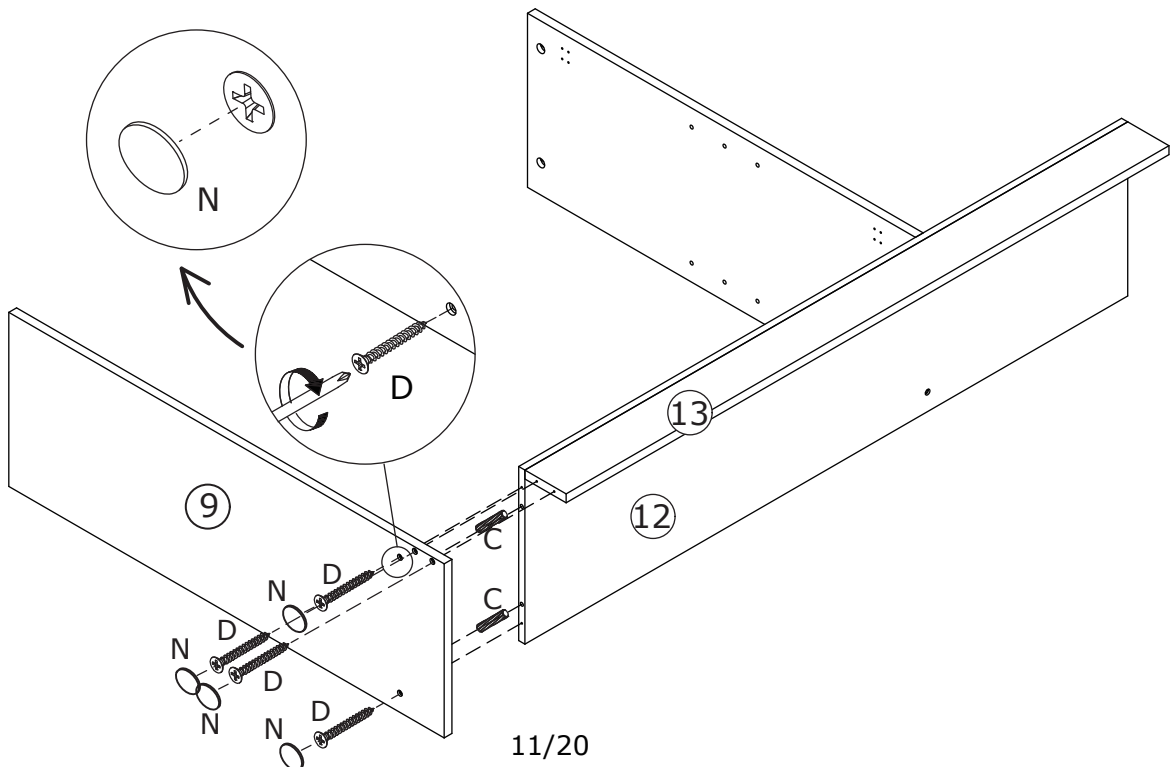
Connect No.10 and No.12 plate using wooden dowel(C) and fix with screw(D) as shown.



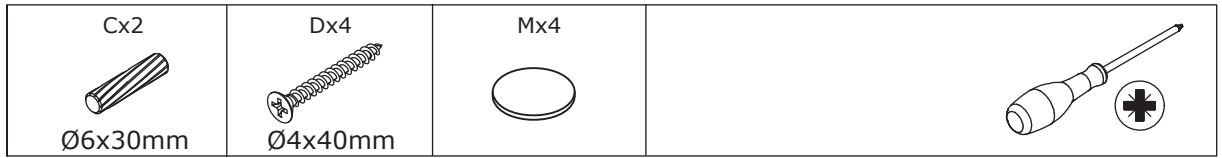
14



Connect No.9, No.12 and No.13 plate using wooden dowel(C) and fix with screw(D) as shown. Cover screw(D) with sticker(N).

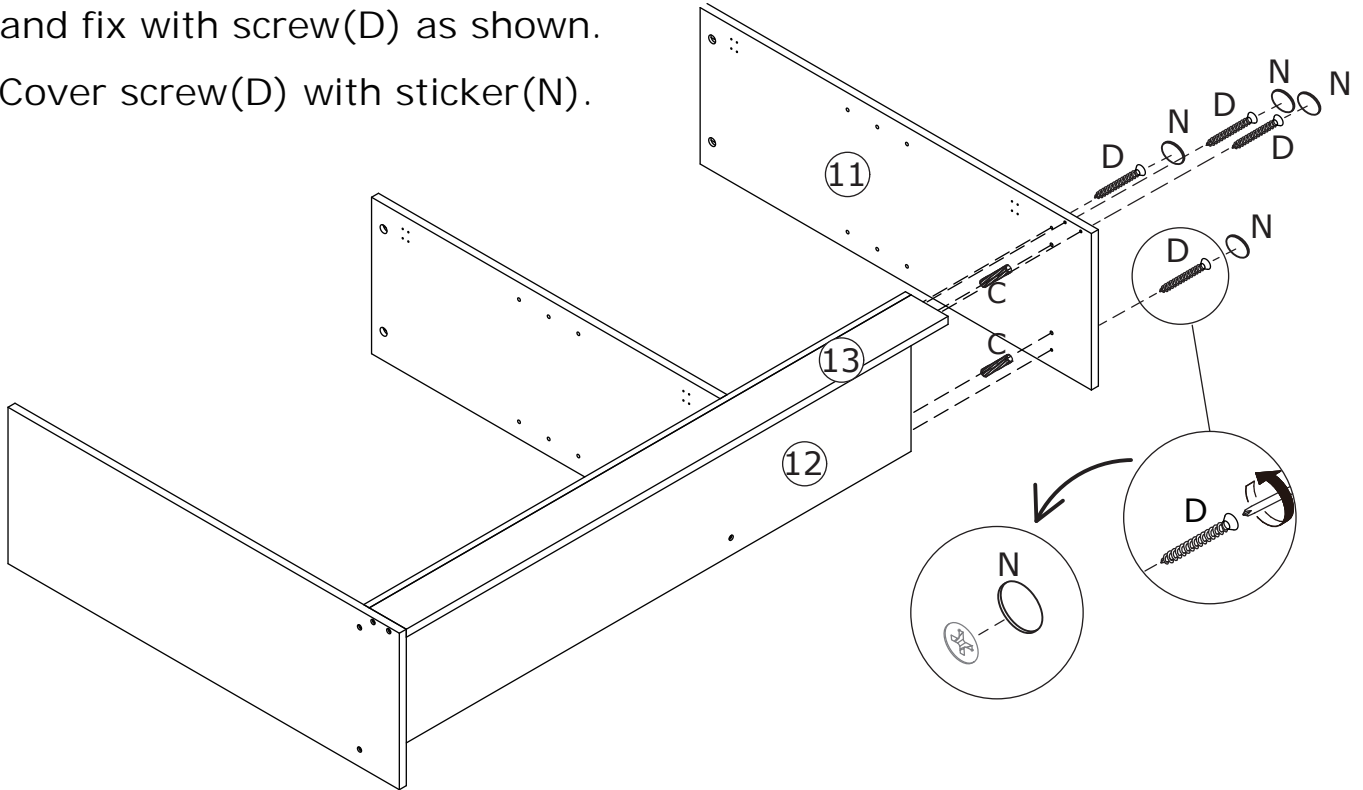


# 15

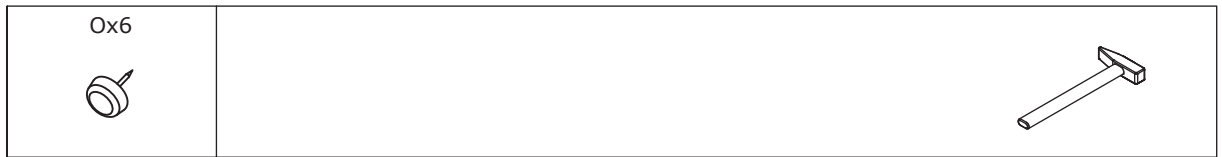


Connect No.11, No.12 and No.13 plate using wooden dowel(C) and fix with screw(D) as shown.

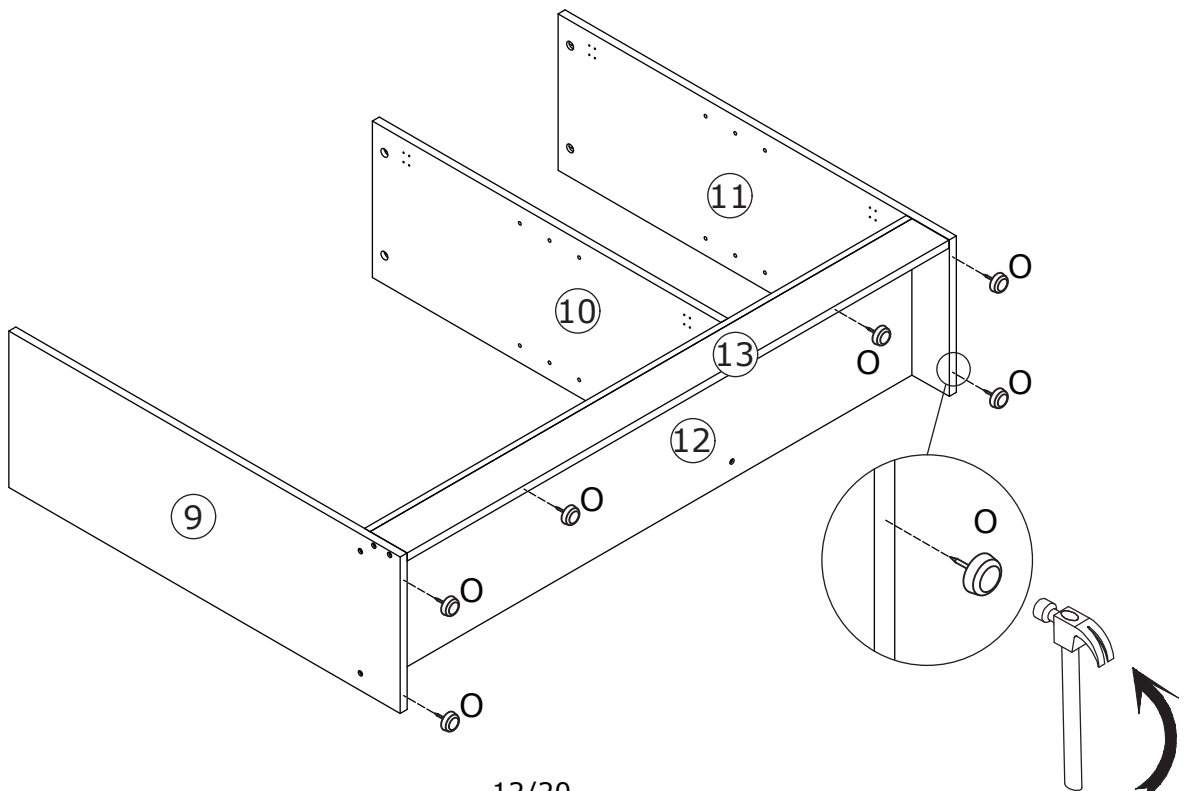
Cover screw(D) with sticker(N).



# 16



Konck foot peg(O) into the bottom.

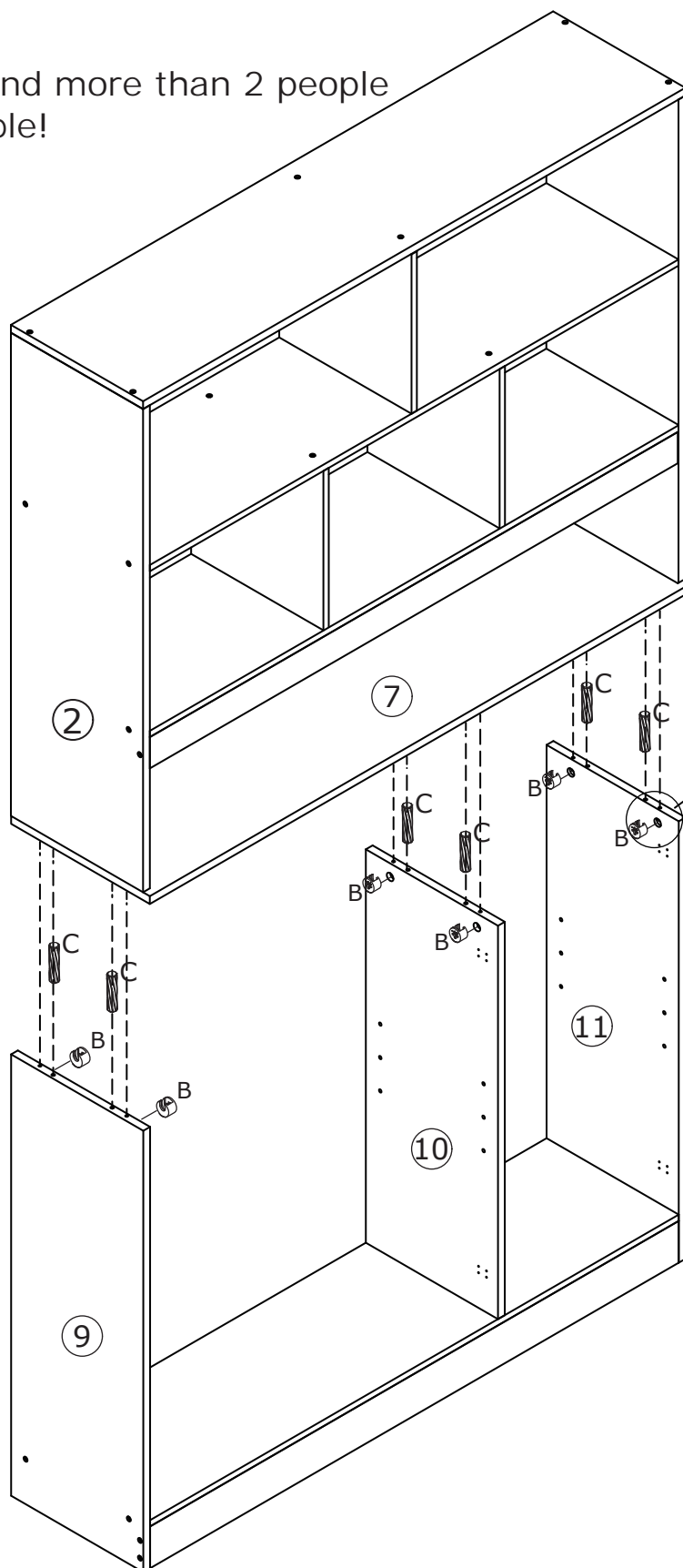
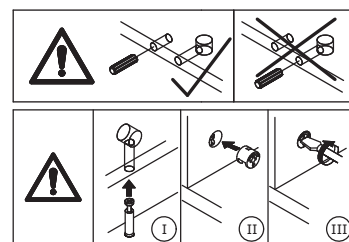


# 17





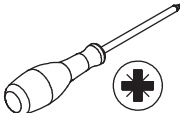
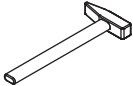
Bx6  Ø15x10mm	Cx6  Ø6x30mm	
--	---	---

Connect two components using wooden dowel(C) and turn cam lock(B) clockwise to tighten as shown.

Recommend more than 2 people to assemble!

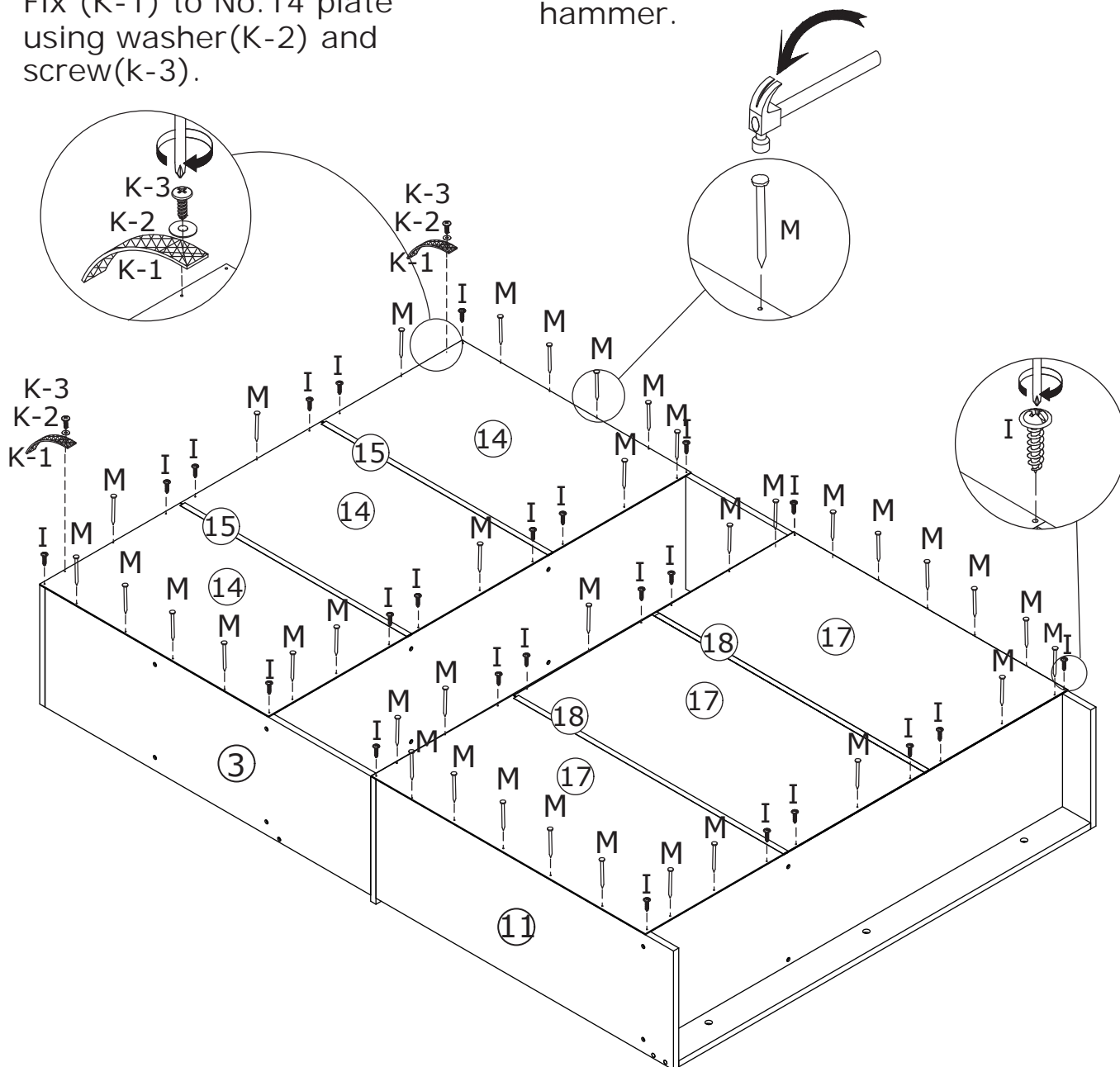


# 18

<p>Ix24 Ø3x12mm</p> 	<p>Kx2 K-1 K-2 K-3</p>  	<p>Mx36</p> 	 
---	--	---	---

Fix (K-1) to No.14 plate using washer(K-2) and screw(k-3).

Please lay the back panel flat and fix No.14,17 back plate using screw (I) on the diagonal, and then fix screw(M) with a hammer.

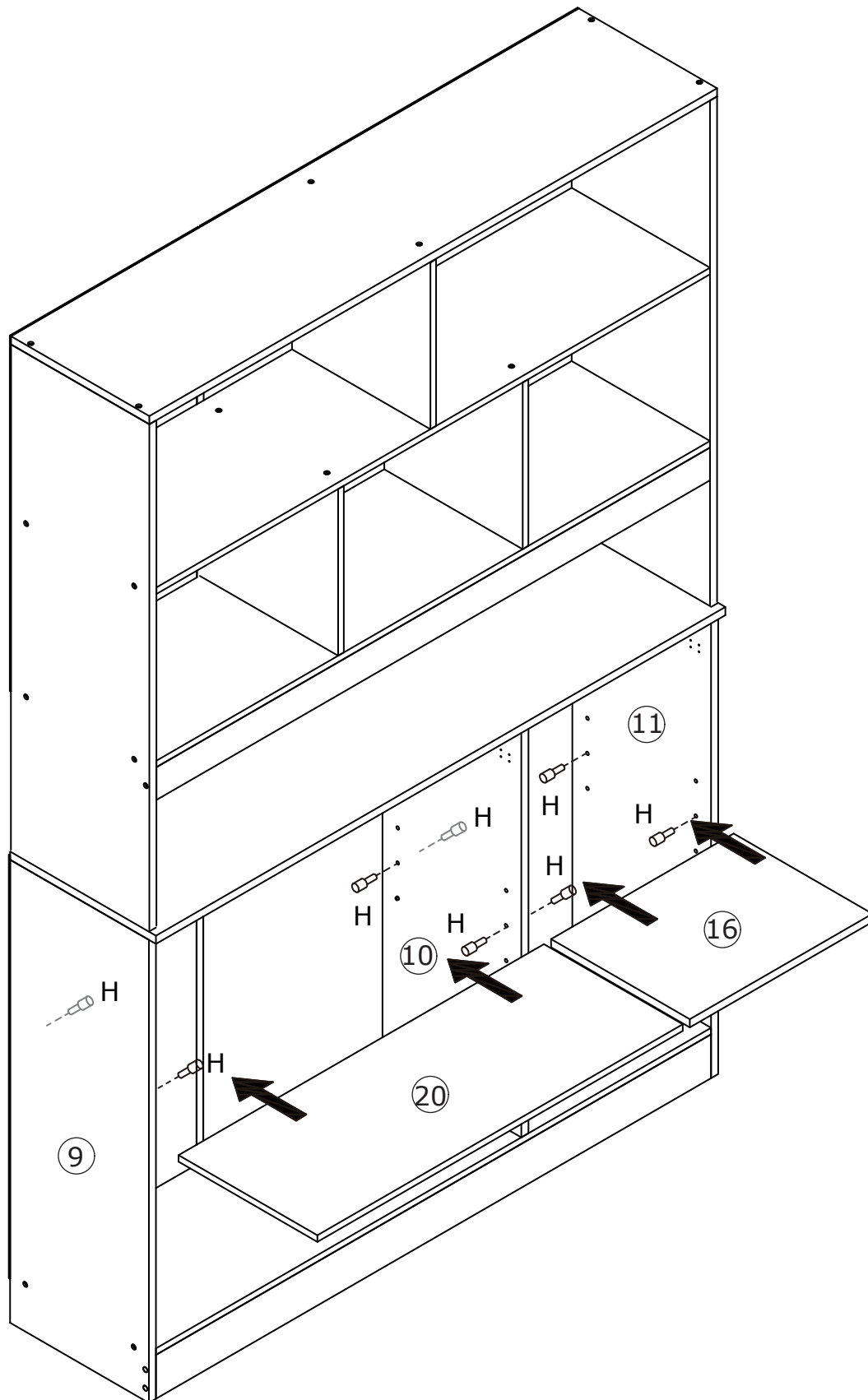


# 19

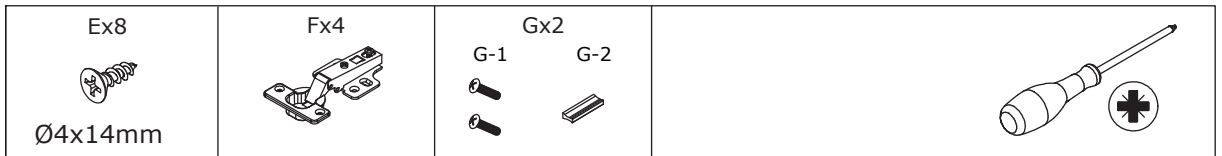
Hx8



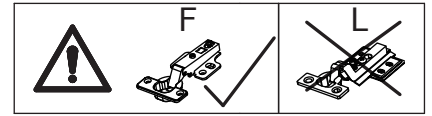
Insert part(H) into No.9, No.10 and No.11 plate, then place No.16 and No.20 plate in as shown.



# 20

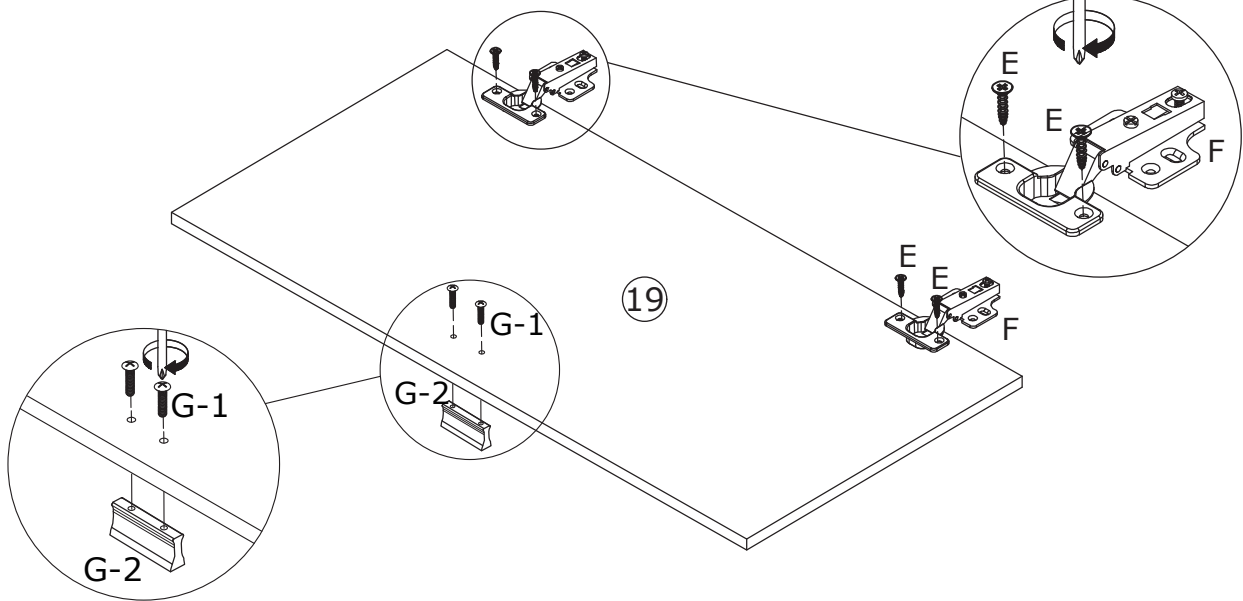


Fix hinge(F) to No.19(x2) plate with screw(E) as shown.

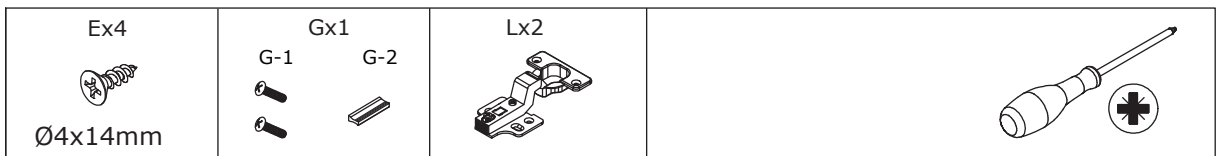


Fix handle(G-2) with screw(G-1).

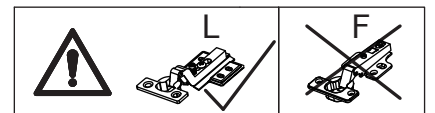
# x2



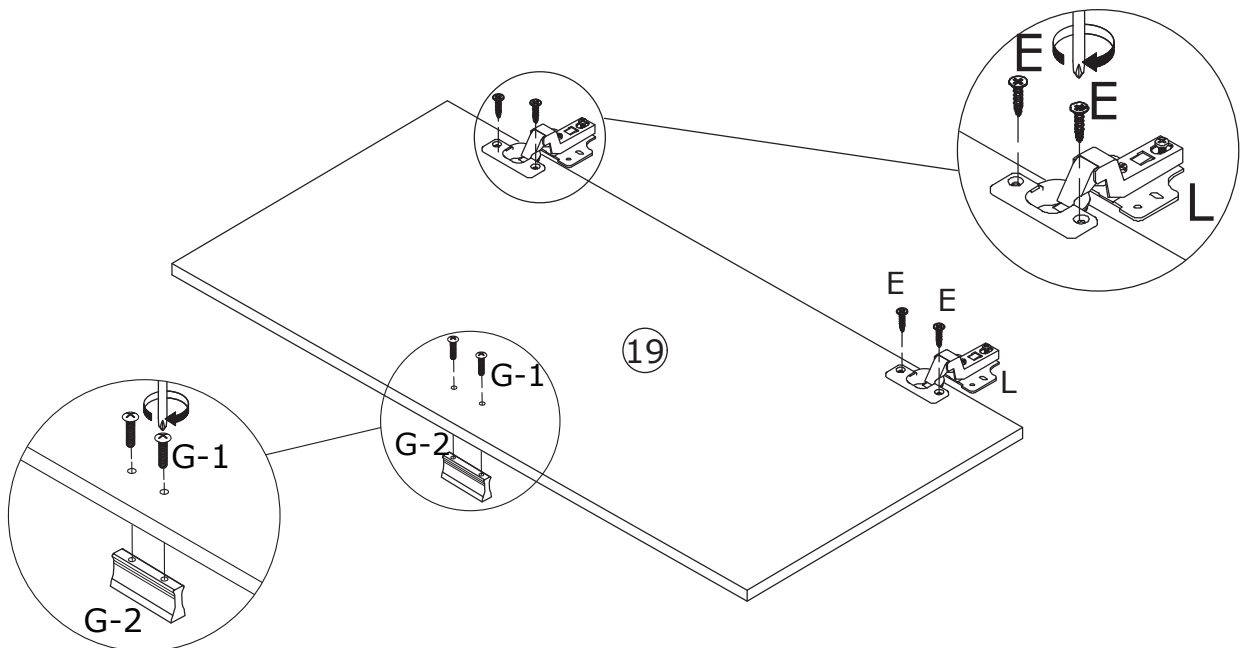
# 21



Fix hinge(L) to No.19 plate with screw(E) as shown.



Fix handle(G-2) with screw(G-1).



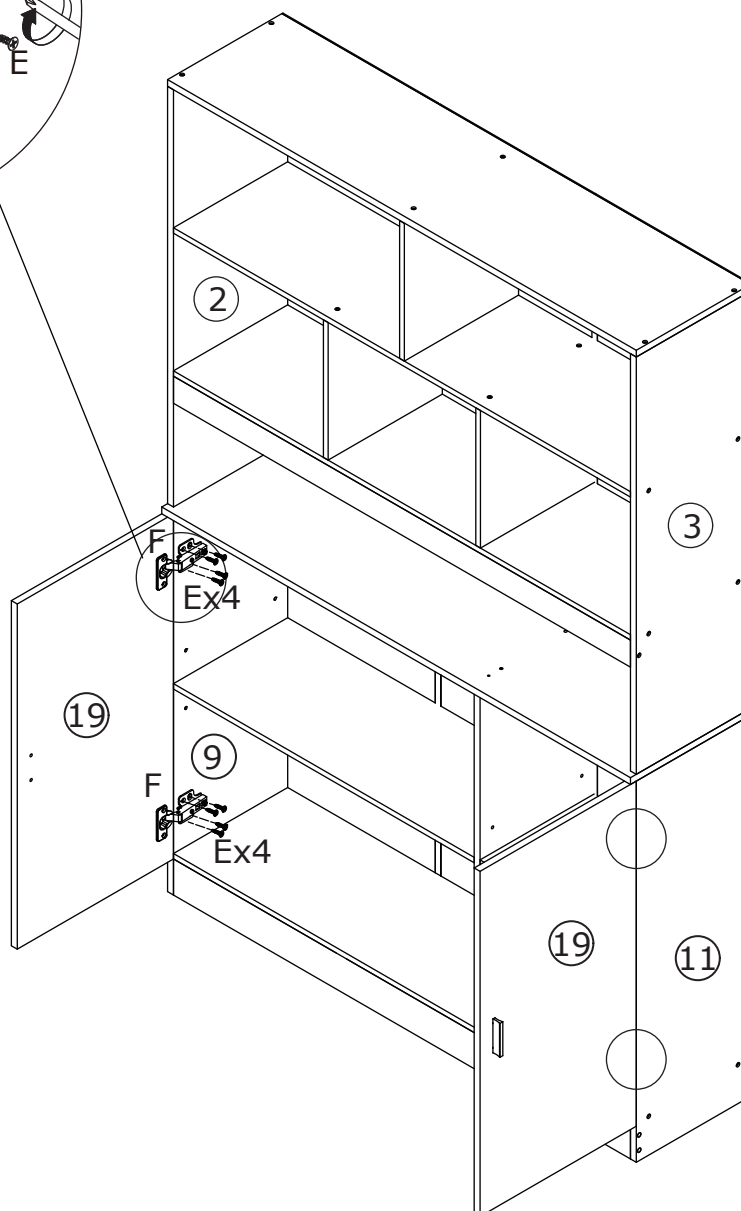
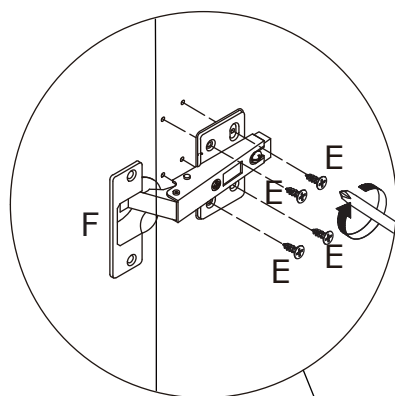
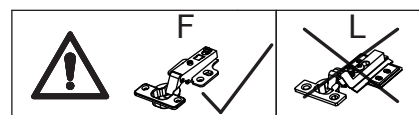


# 22



Attach No.19 plate to No.9 and No.11 by fixing hinge(F) with screw(E) as shown.

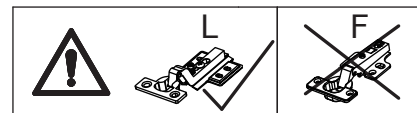
Please don't use an electric drill or use force to rotate, may cause crack.



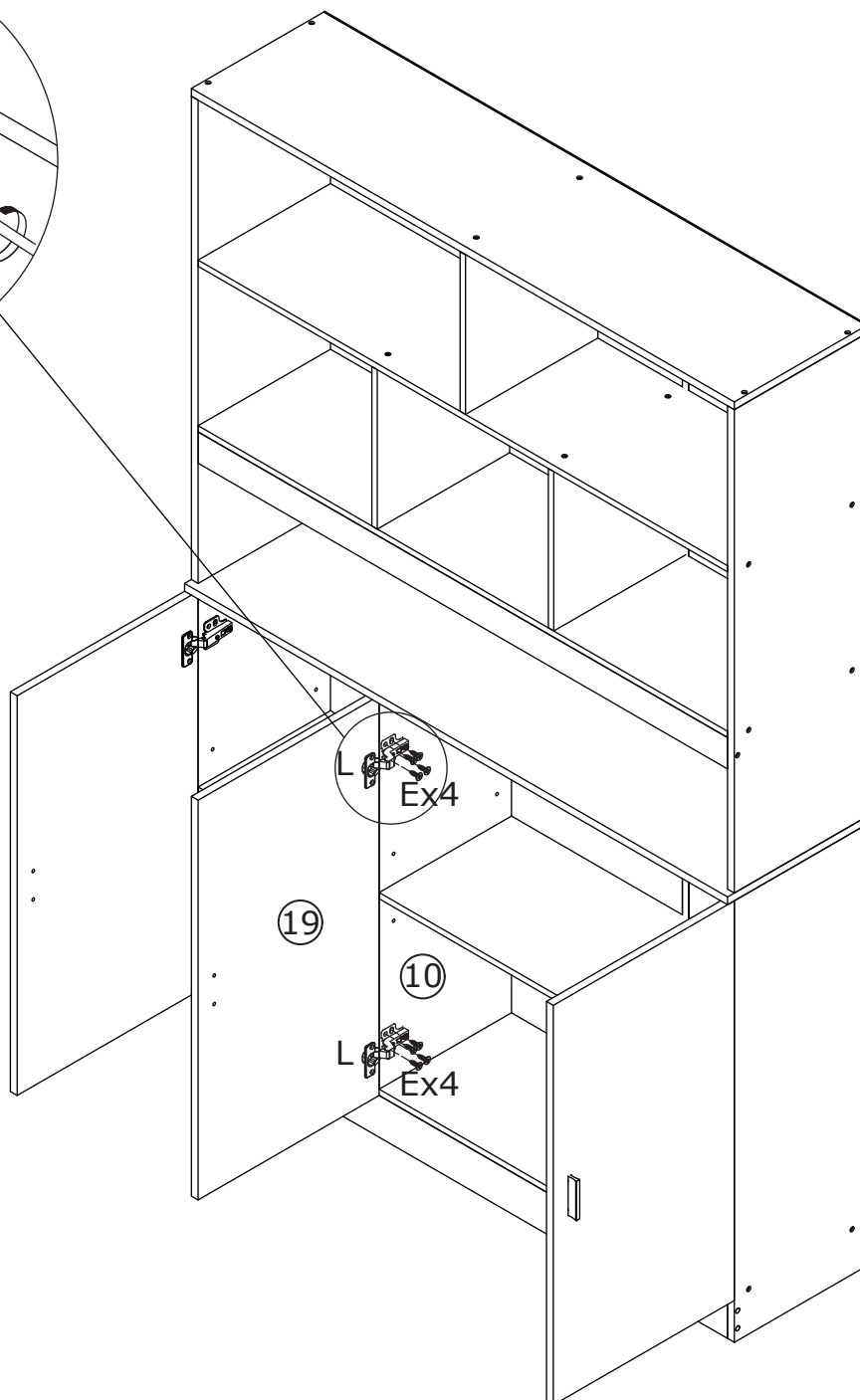
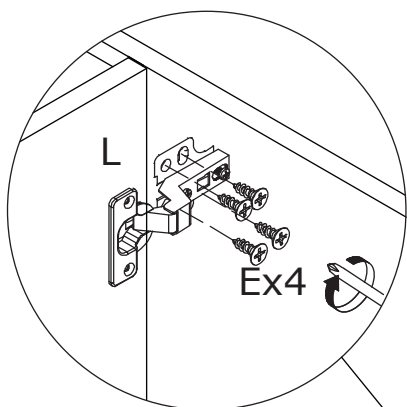
# 23



Attach another No.19 plate to No.10 by fixing hinge(L) with screw(E) as shown.

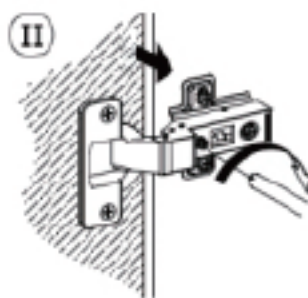
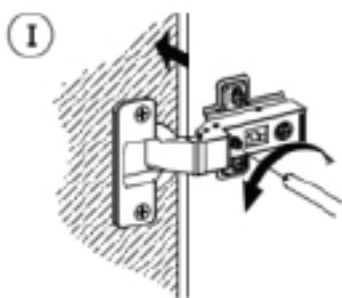
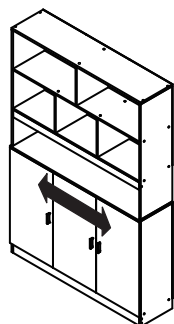
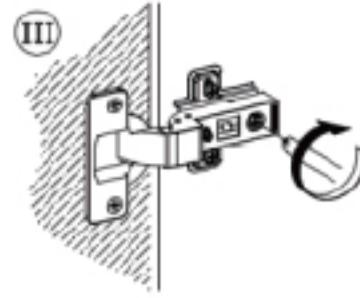
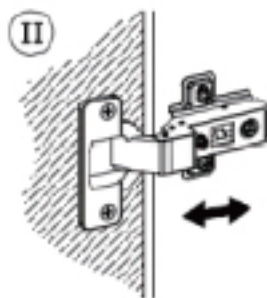
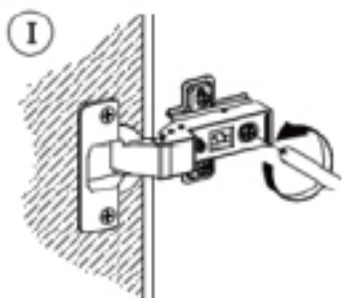
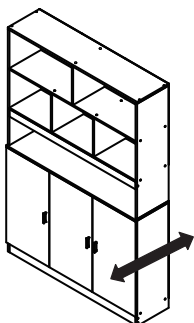
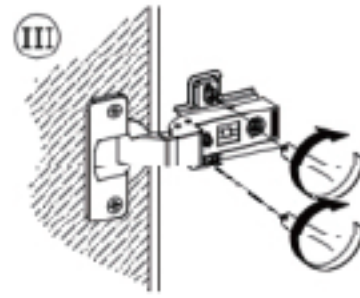
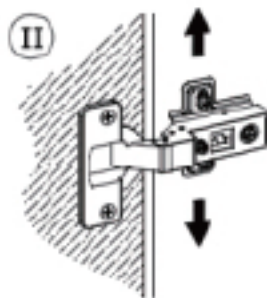
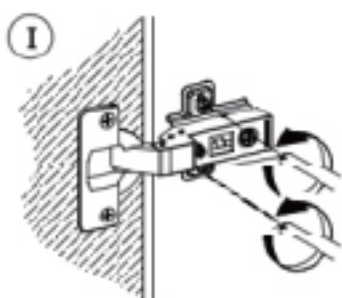
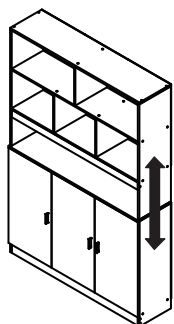
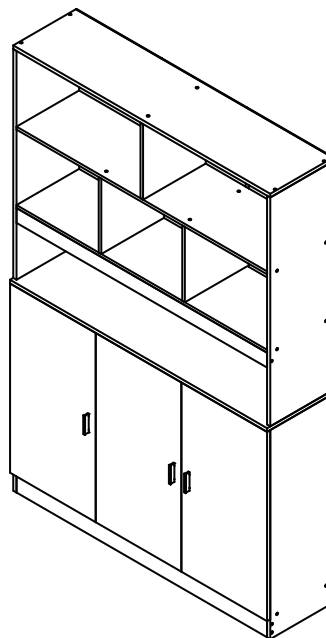


Please don't use an electric drill or use force to rotate, may cause crack.

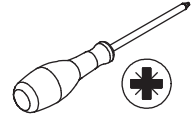
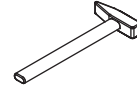
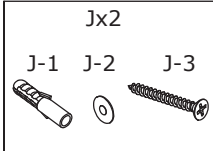


# 24

If there is misalignment after you install, adjust the screw to the best condition.



25



WALL

I x2

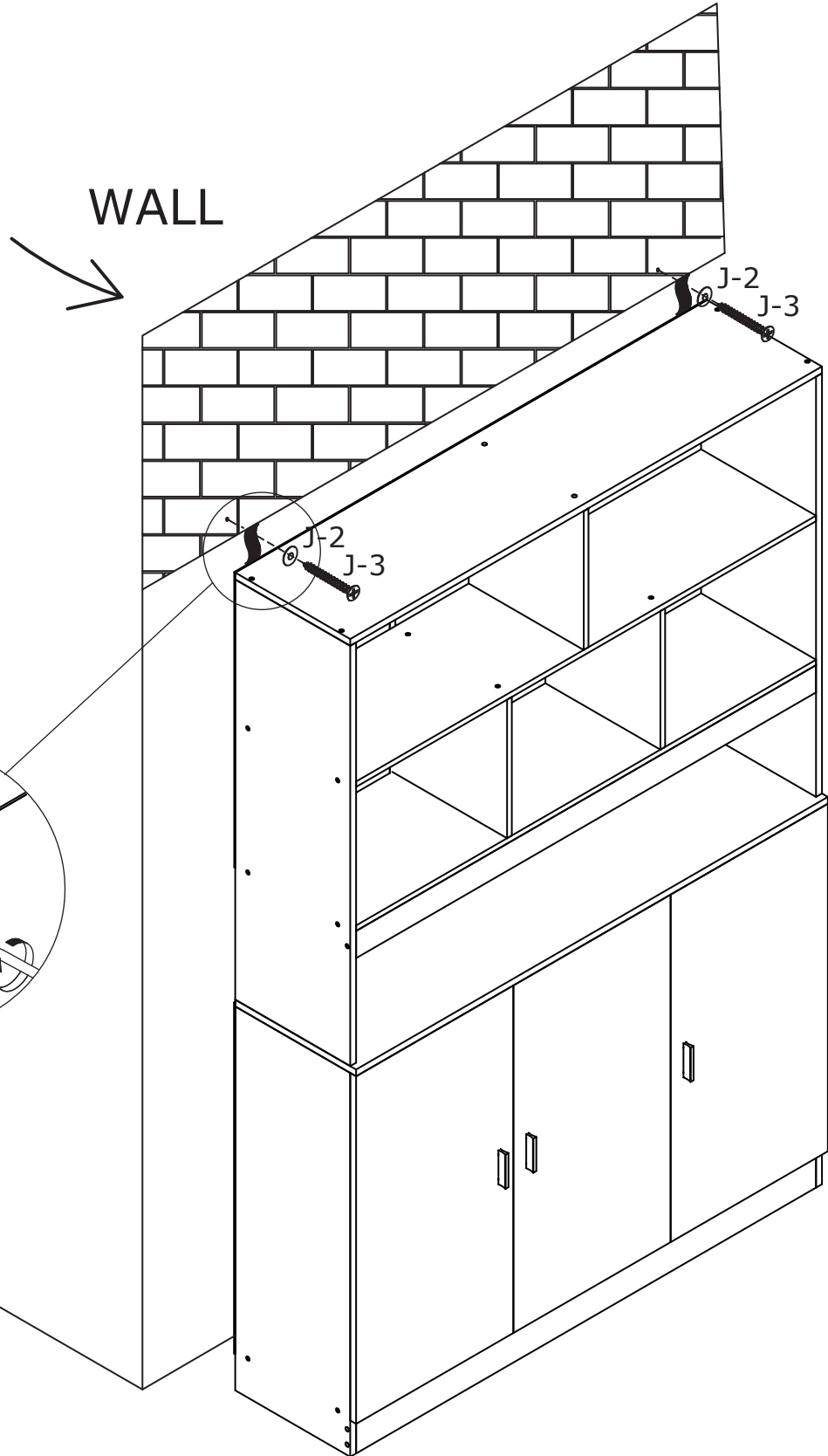
WALL +  
drilling hole  
Ø6x30mm

II x2

WALL

J-1

III x2



# WARRANTY

## WARRANTY CLAIMS

- There is a 30-day warranty for broken furniture or any other problems that do not work properly. The warranty will start from the date of purchase which must be verified by proof of purchase.
- Before making a claim, we may be able to answer your query, simply call us. Please leave your purchase order number, along with some details of the problem, if you want a replacement part. We will arrange within 48 hours. If there is out of stock, we will reply with a shipping date.
- The product must be used in accordance with the instructions provided. For health reasons.
- For other reasons, if the furniture needs to be returned, it must be cleaned and dried and operated within 30 days of receipt.

## Type of Warranty Claim

- Failure to follow the furniture instructions will invalidate the warranty. Attention please.
- Does not include damage during installation, but includes damage during transportation.

## Scope of responsibility

- Shall not bear any responsibility for misuse or user damage and / or loss of parts during the installation of furniture.
- After using, the damage and scratches of the furniture are not covered by the warranty.

## The Warranty Relates to All Bought in The Us and Covers The Following Areas

- Sheet parts: 1 month from the date of purchase.
- Electrical parts: 1 month from the date of purchase.

# RETURNS

## **CHANGED YOUR MIND AND NEED TO RETURN YOU ITEM?**

### **PLEASE FOLLOW THE BELOW INSTRUCTIONS:**

- If you have purchased and have simply changed your mind, follow the retailer's instructions for returns.

### **DEFECTIVE ITEMS**

- If your item is defective in any way, i.e. it doesn't work but you can't identify why, in the first instance, please call us.

### **DAMAGED ITEMS**

- If you receive an order with obvious shipping damage from the retailer, then we suggest the delivery is refused. If the delivery has been accepted and then shipping damage is found, please follow the specific instructions advised by the retailer. In all circumstances please save all packaging material and paperwork for the order. Please be aware that if you dispose of packaging material or attempt to return the merchandise without contacting the fulfiller, you jeopardise your chances of making a claim, and you may not receive a credit for the return.