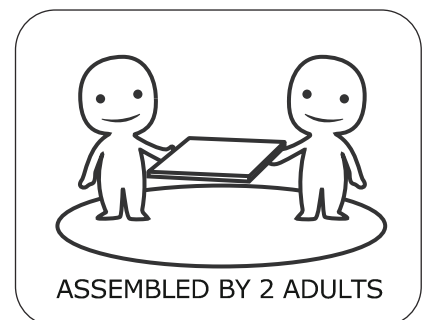
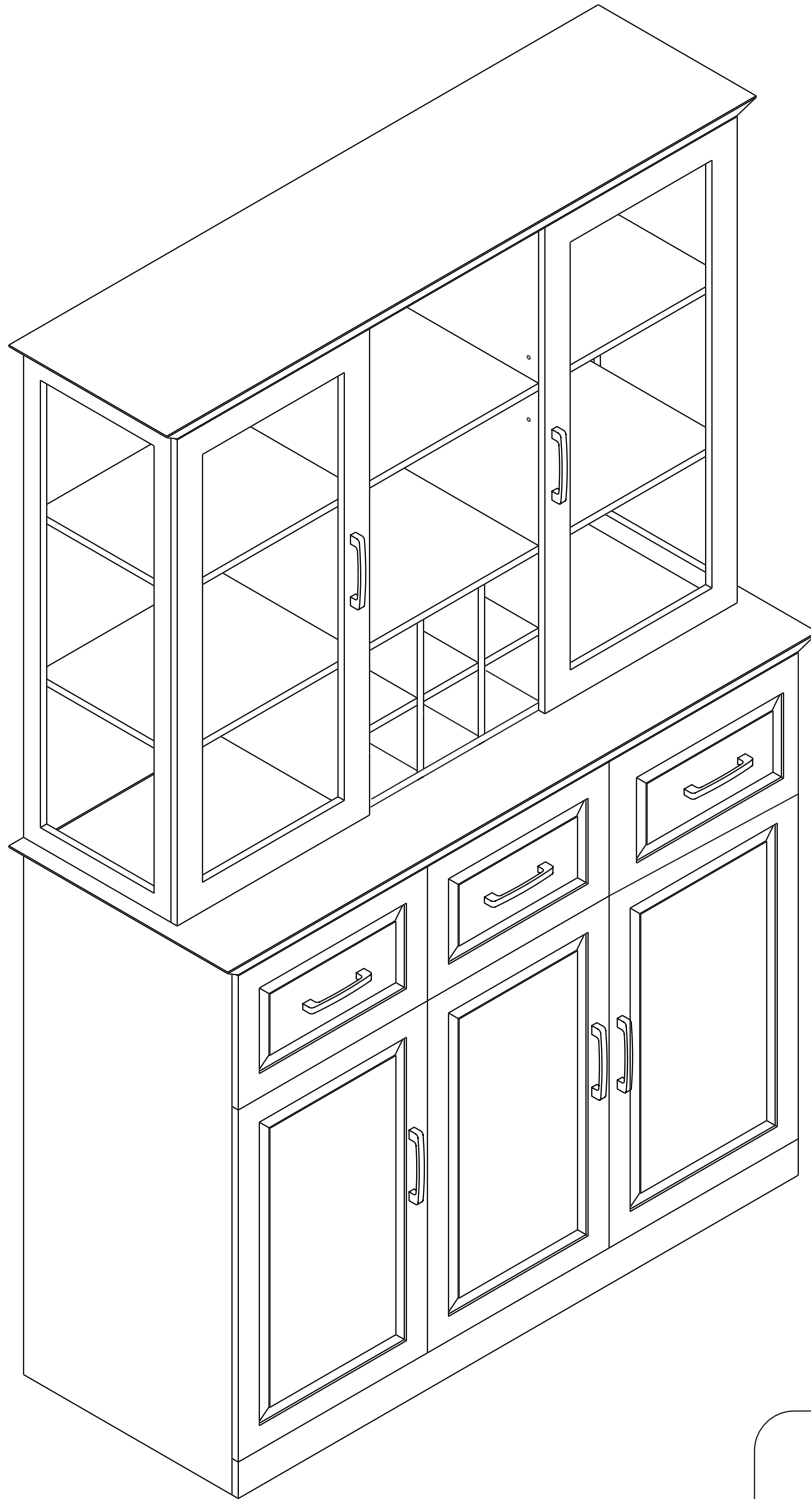
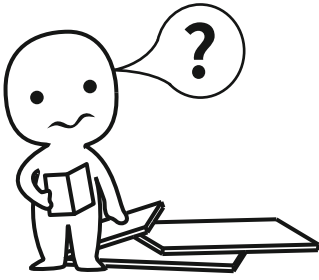


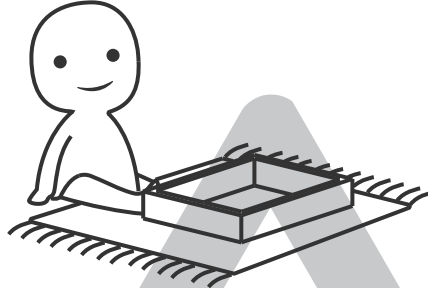
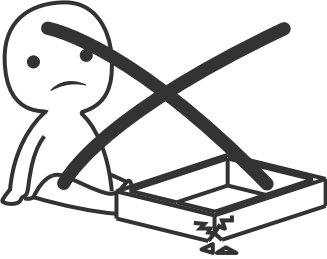
Pantry





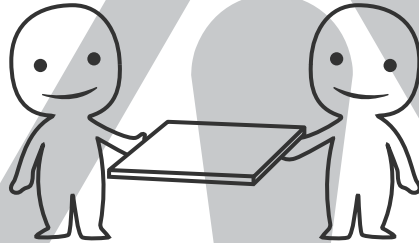
IMPORTANT INFORMATION!

please read the entire manual before starting to assemble and/or using this product. follow the manual thoroughly and keep it for further reference.



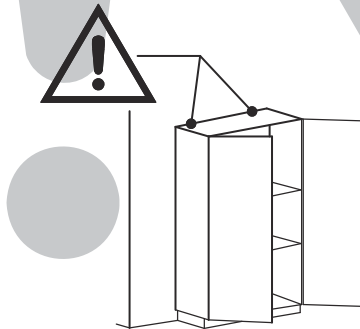
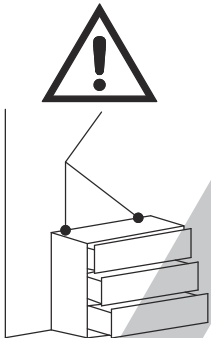
AVOID SCRATCHES!

In order to avoid scratching this furniture should be assembled on a soft layer- could be a rug.



IMPROVE EFFICIENCY !

Try to find a partner to install with you, which can speed up the installation efficiency and shorten the time.



ANTI-TOPPLE WARNING !

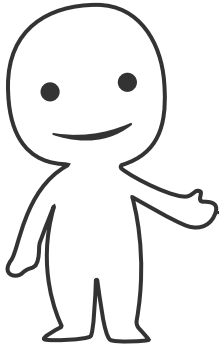
Overturnd furniture can cause serious or fatal crush injuries. To prevent tipping over, be sure to use the wall attachment, if not included with this product. Please purchase the wall attachment that fit your wall. If unsure, seek professional advice. Please read and follow each step of the instructions carefully.

IMPORTANT !

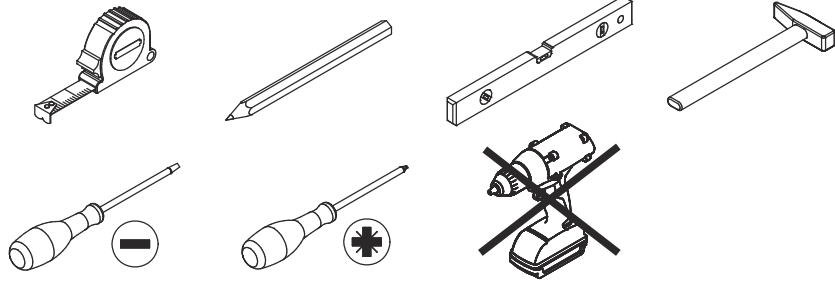
It is important that any product which is assembled using any kind of screw is re-tightened 2 weeks after assembly, and once every 3 months - in order to assure stability through-out the lifespan of the product.

For regular maintenance and cleaning of the product, for the frame, please use a rag dipped in neutral detergent to fully wipe it, and then dry it with a clean rag. For glass materials, wipe with a rag dampened with water glass cleaner, and then dry with a dry rag.

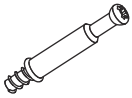

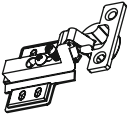



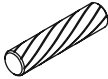
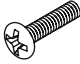
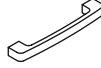
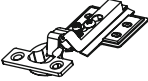
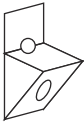
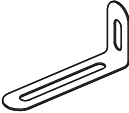
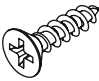

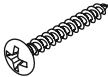
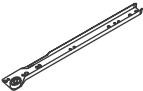
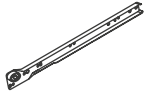
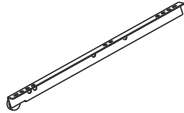
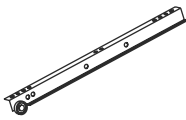

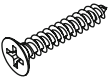
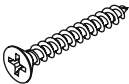
Do not use an electric screwdriver, and do not use too much force when installing, because the board is easy to break.

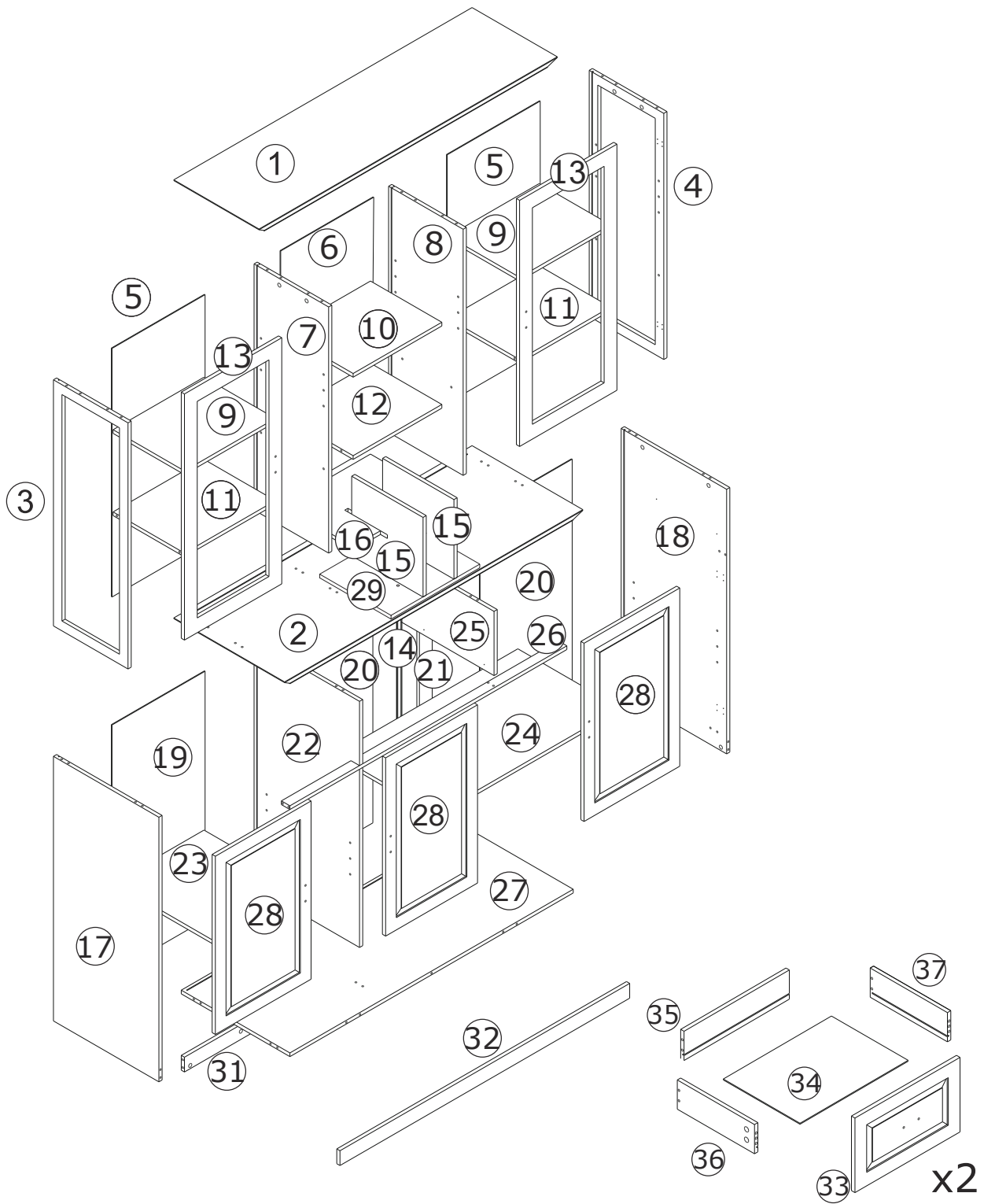


Please prepare the following tools



When installing, please carefully confirm whether each screw corresponds to the manual, accessories with similar shapes can be distinguished by size

A x 58  Ø 6 x 35mm	B x 58 	C x 2 	D x 13  Ø 4 x 30mm	E x 60  Ø 4 x 14mm
F x 26  Ø 3 x 12mm	G x 55  Ø 6 x 30mm	H x 16  Ø 4 x 14mm	J x 8 	K x 10 
L x 16 	M x 2 	N x 16  Ø 3 x 16mm	P x 2 	Q x 2  Ø 4 x 40mm
CL x 3 	CR x 3 	DL x 3 	DR x 3 	R x 20 
S x 4  Ø 3 x 25mm	T x 12  Ø 4 x 35mm			

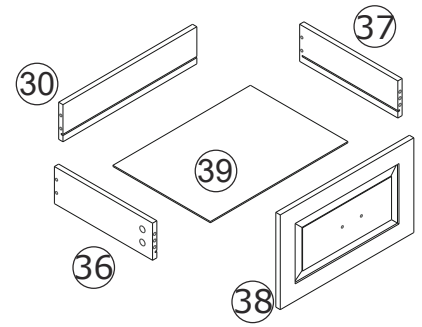


⚠ WARNING

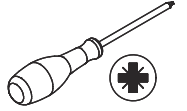
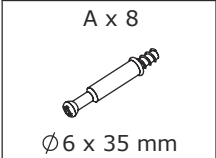
Children have died from furniture tipover. To reduce the risk of furniture tipover:

- ALWAYS install tipover restraint provided.
- NEVER put a TV on this product.
- NEVER allow children to stand, climb or hang on drawers, doors, or shelves.
- NEVER open more than one drawer at a time.
- Place heaviest items in the lowest drawers.

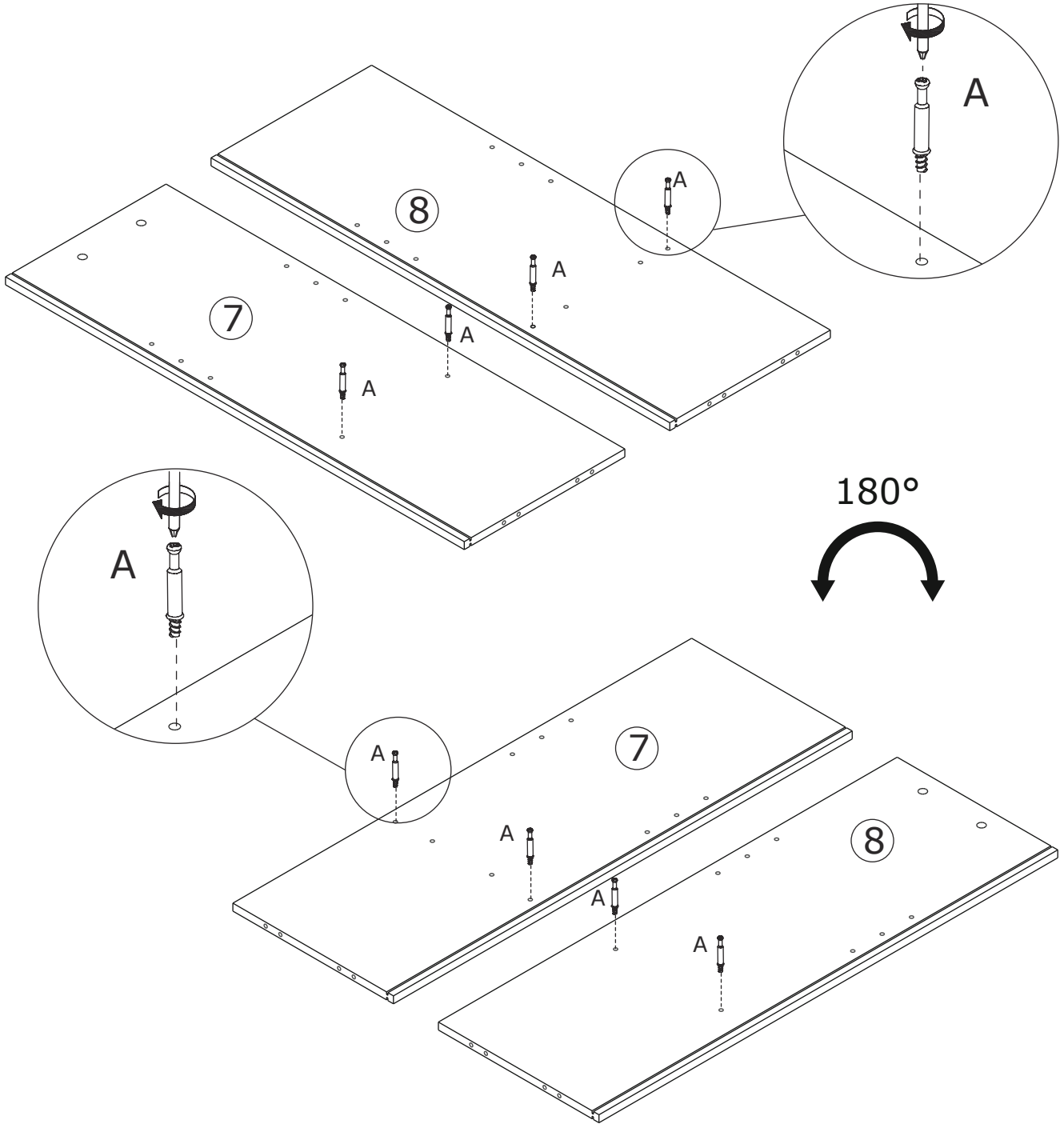
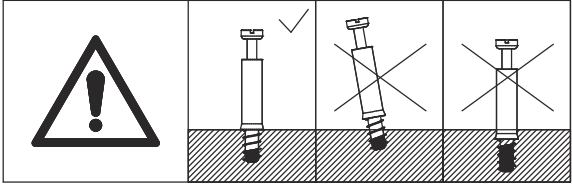
This is a permanent label. Do not remove!



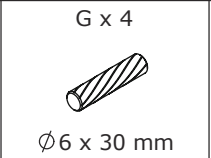
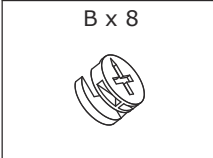
1



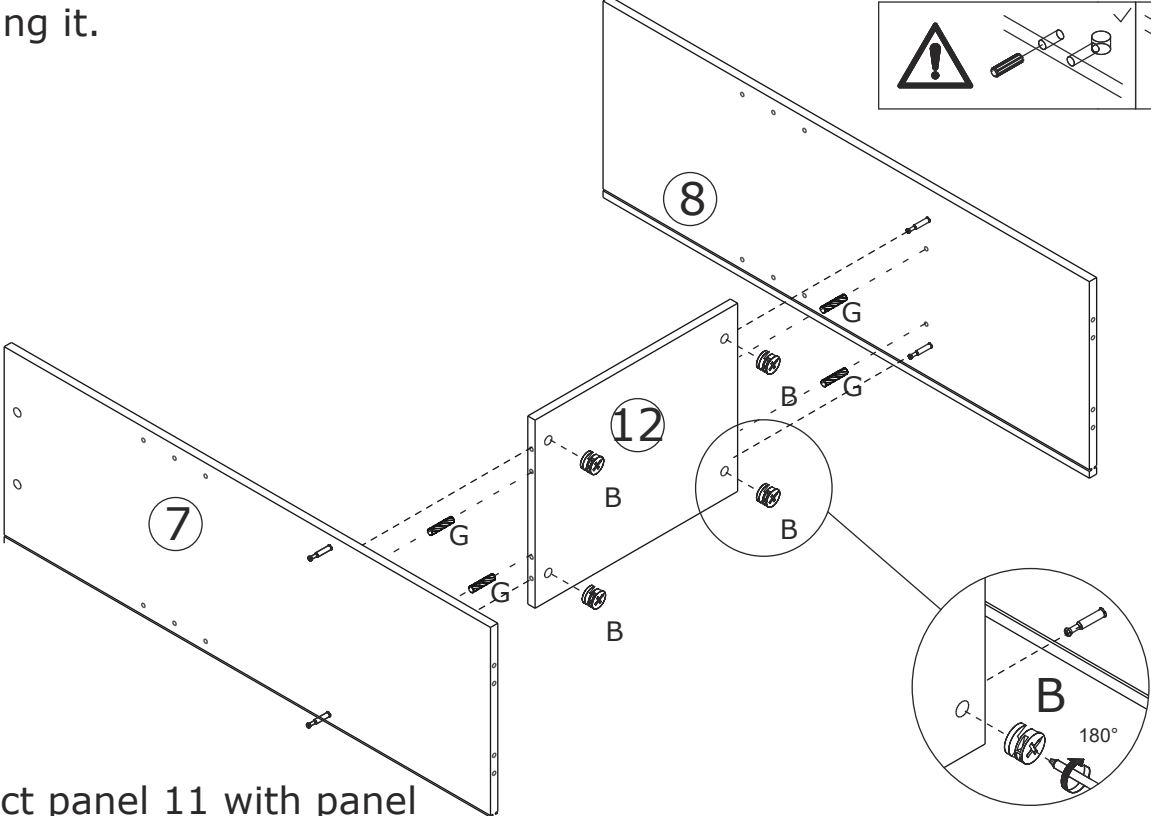
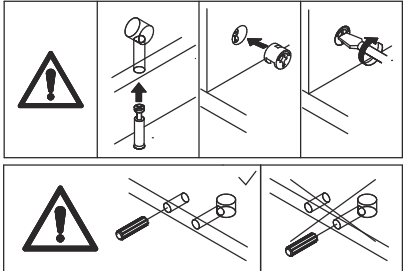
Thread eccentric rod A into both sides of panel 7 and 8.



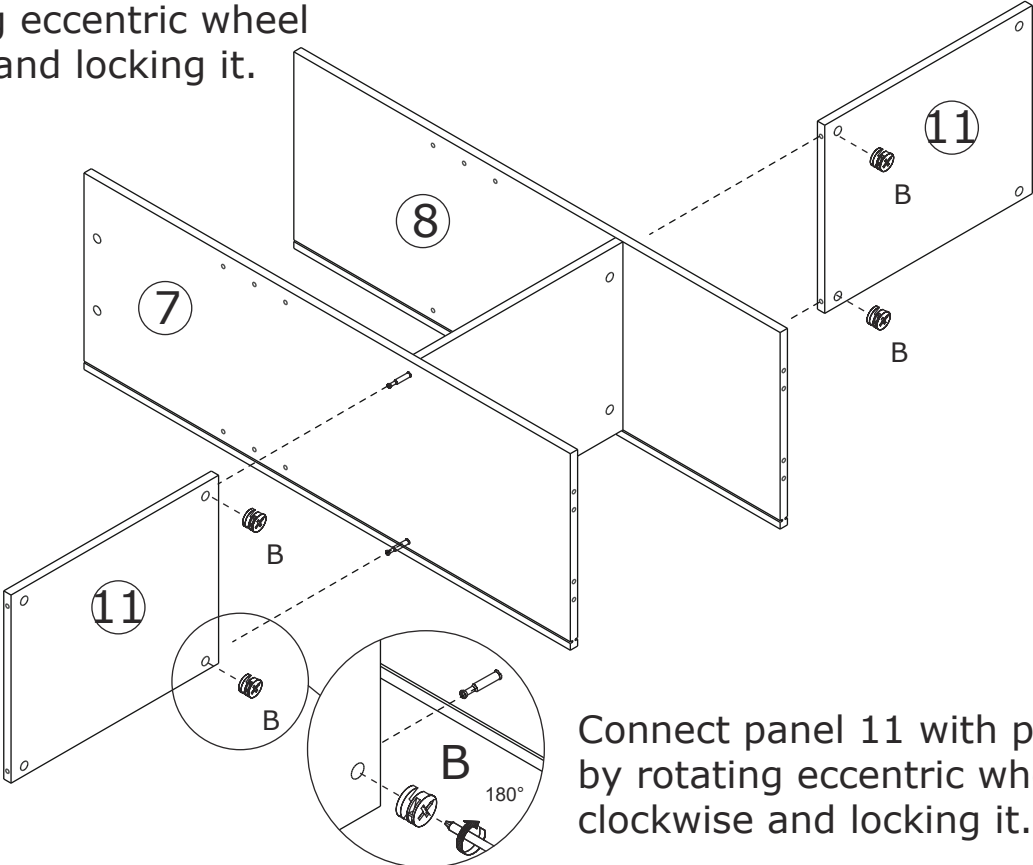
2



Insert wood falcon G into panel 12, connect panel 12 with panel 7 and 8 by rotating eccentric wheel B clockwise and locking it.

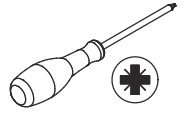
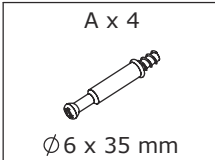


Connect panel 11 with panel 7 by rotating eccentric wheel B clockwise and locking it.

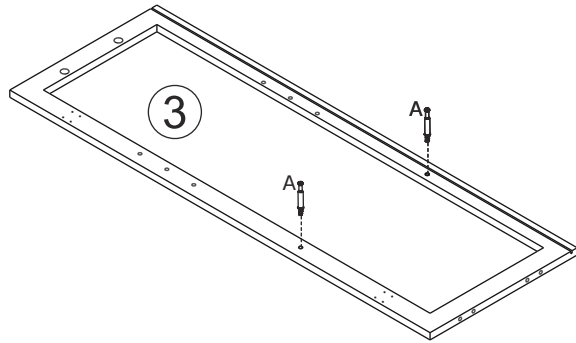
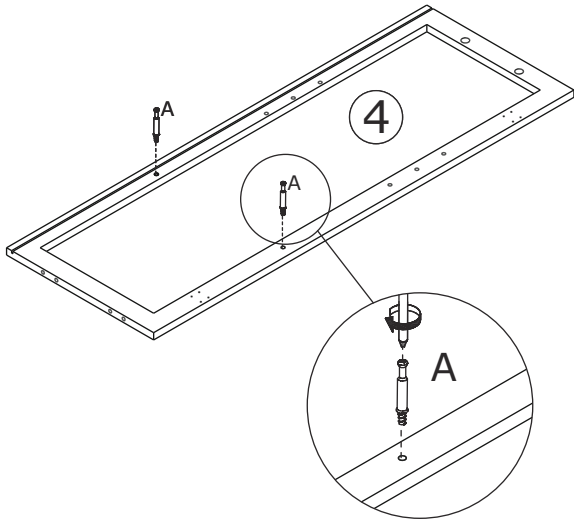
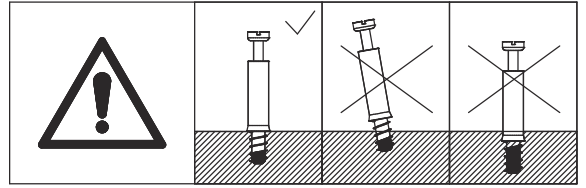


Connect panel 11 with panel 8 by rotating eccentric wheel B clockwise and locking it.

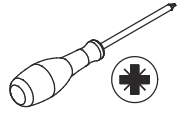
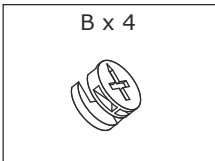
3



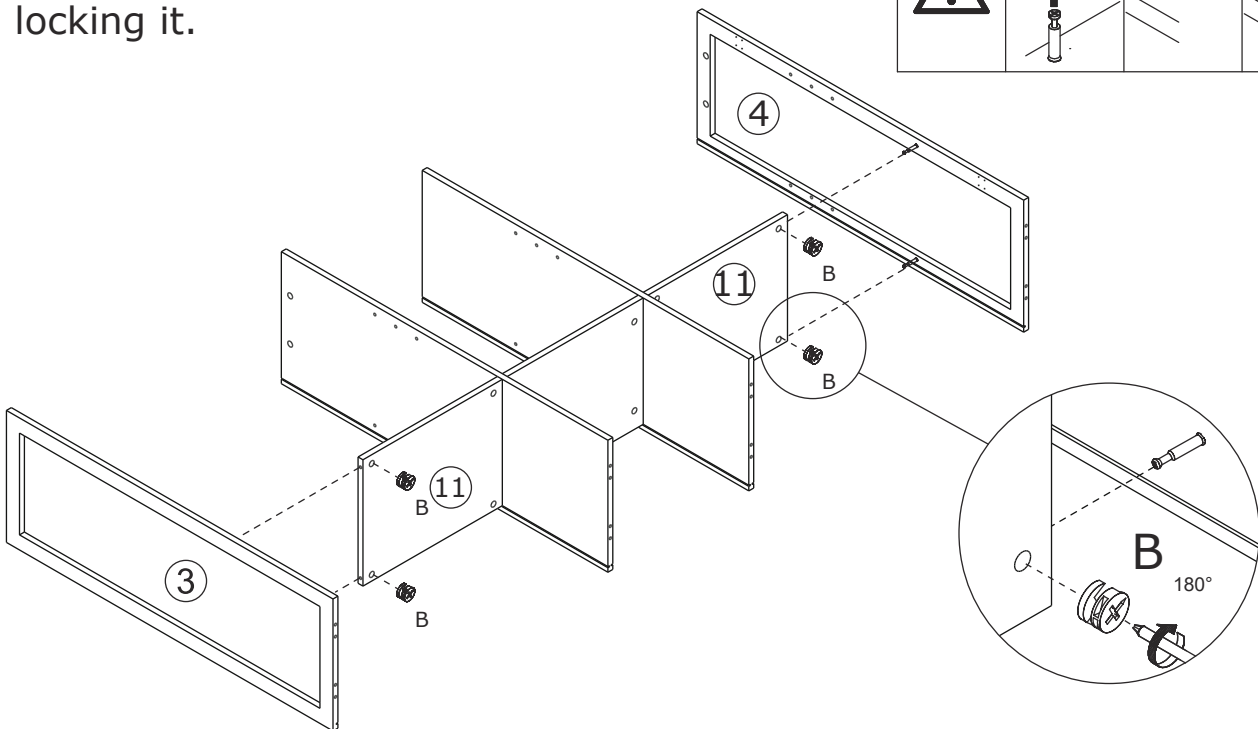
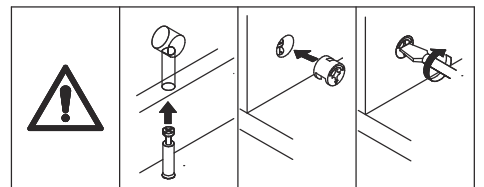
Thread eccentric rod A into panel 3 and 4.



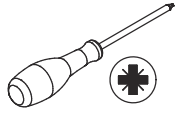
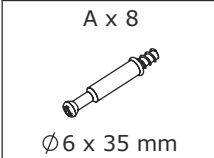
4



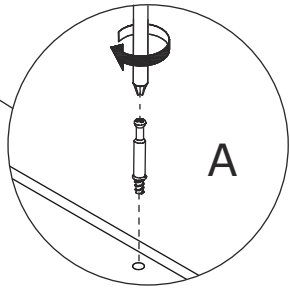
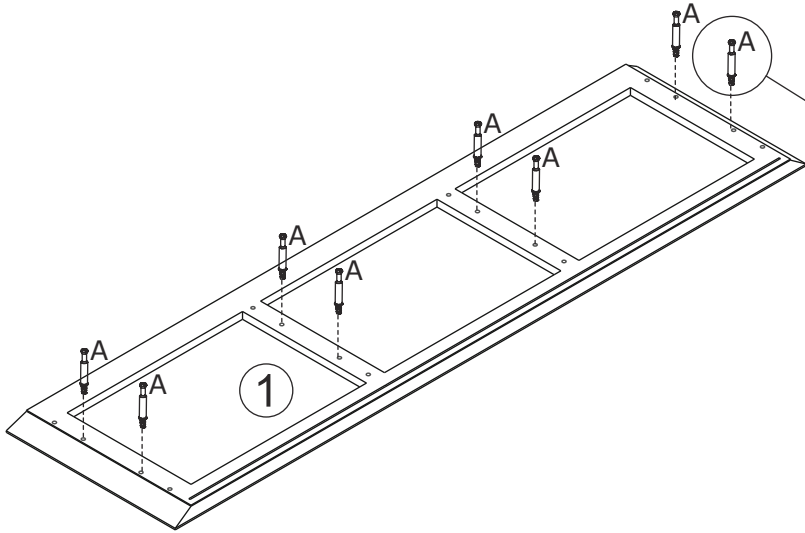
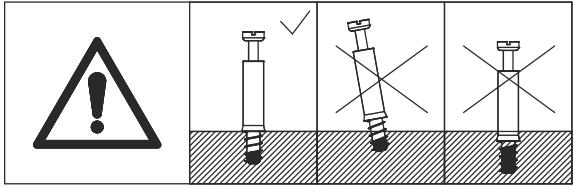
Connect panel 3 and 4 with panel 11 by rotating eccentric wheel B clockwise and locking it.



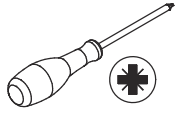
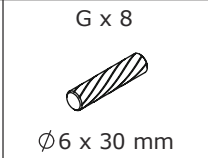
5



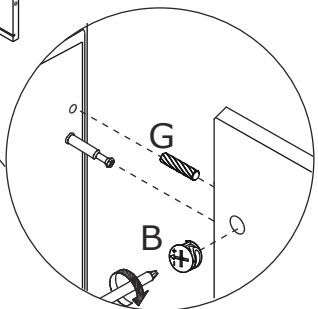
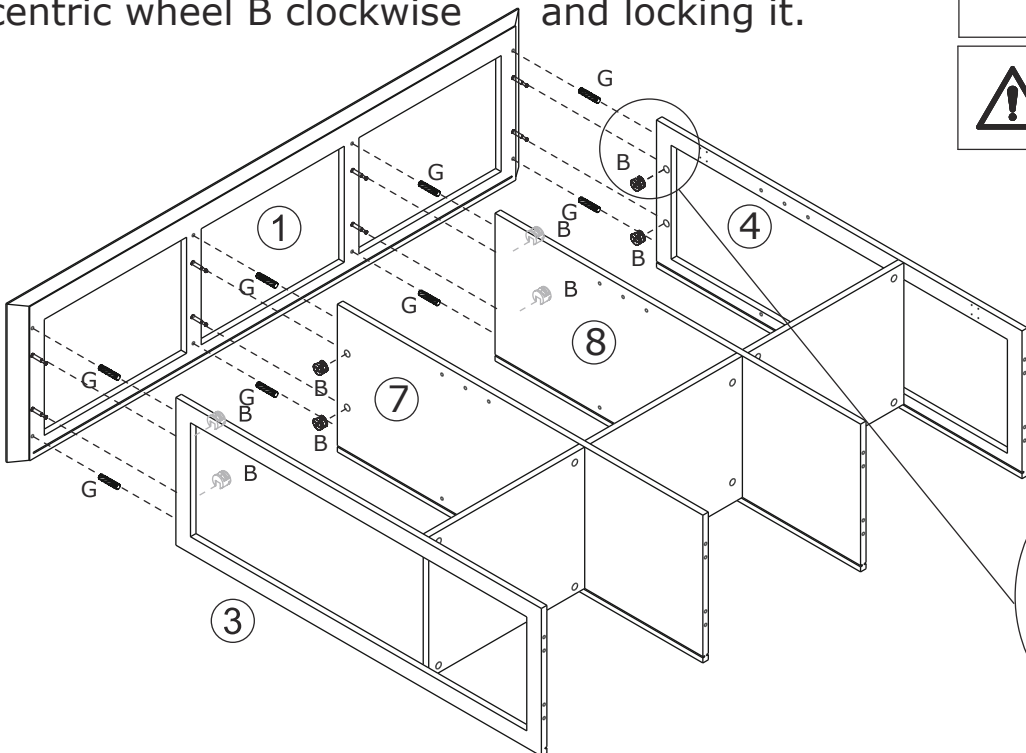
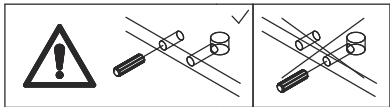
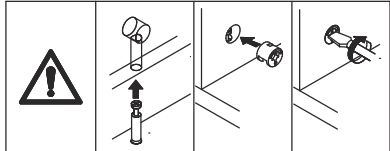
Thread eccentric rod A into panel 1.



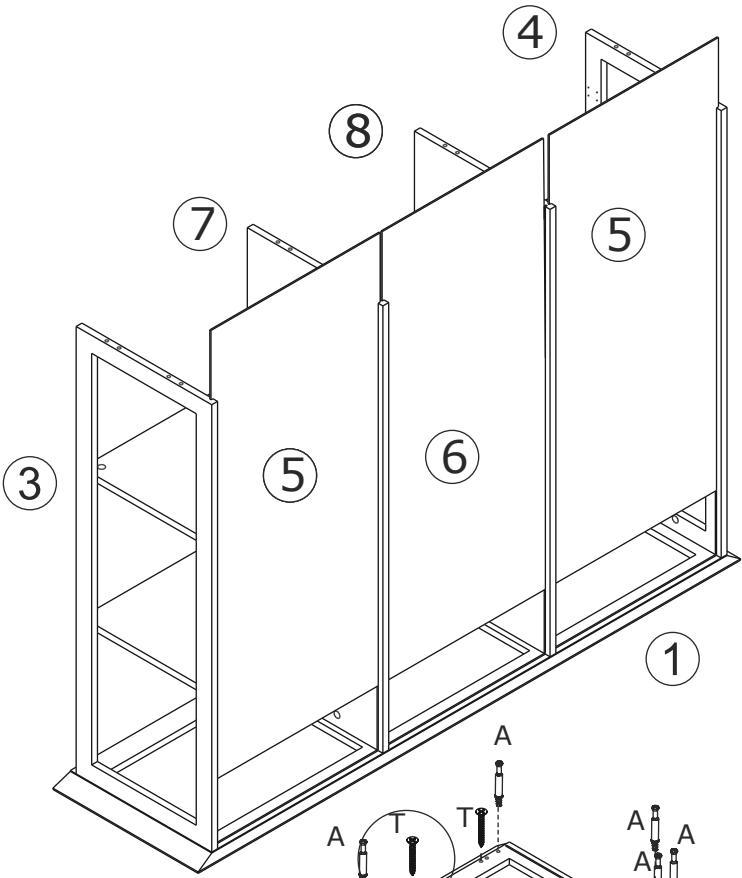
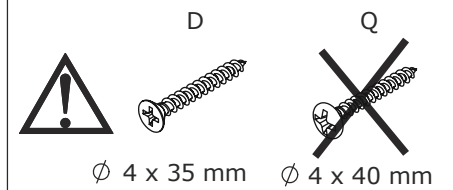
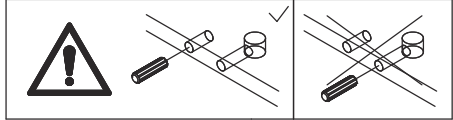
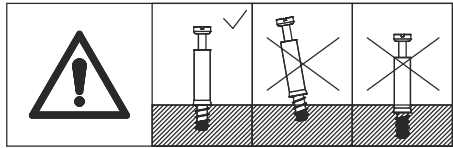
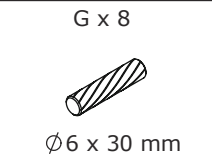
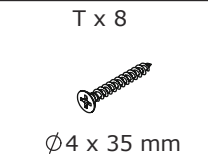
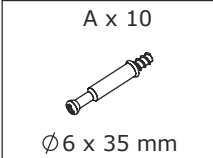
6



Insert wood falcon G into panel 3, 4, 7, and 8.
Connect panel 1 with panel 3, 4, 7, and 8 by rotating eccentric wheel B clockwise and locking it.

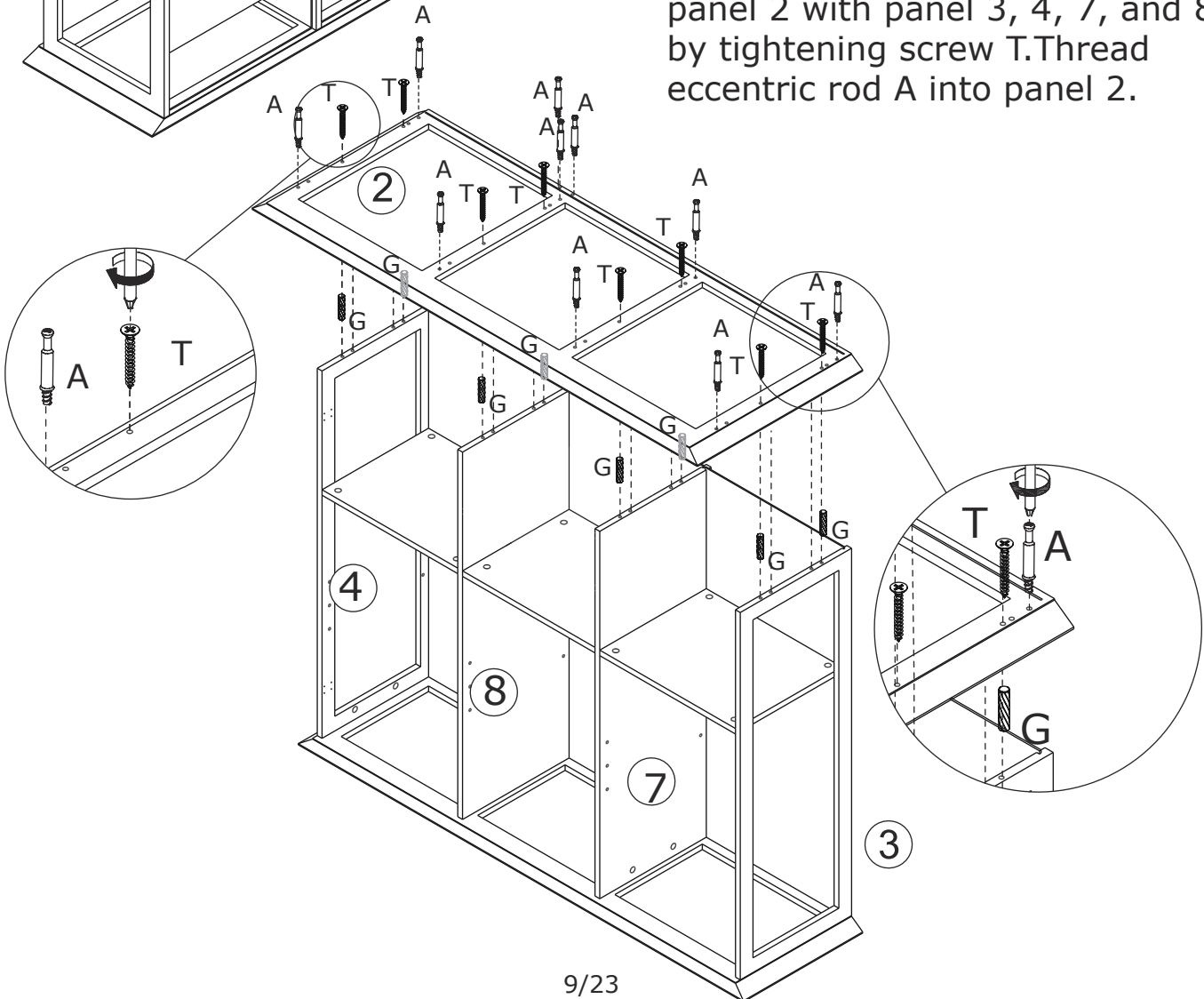


7



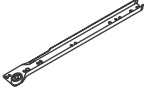
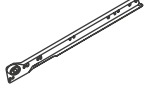

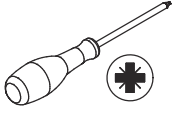


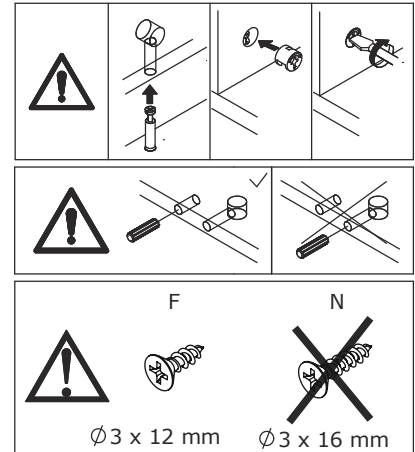
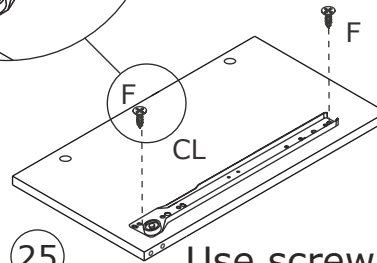
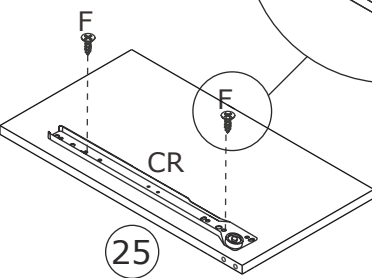
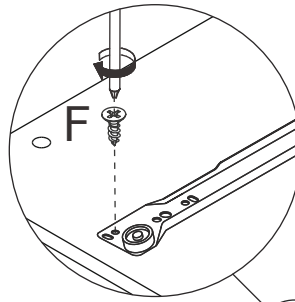
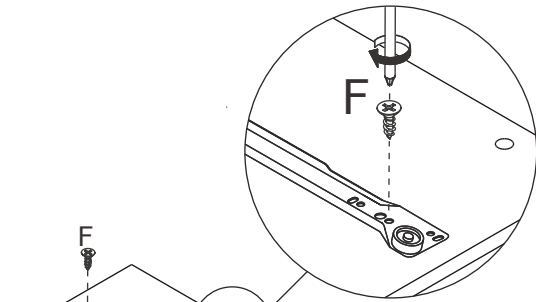
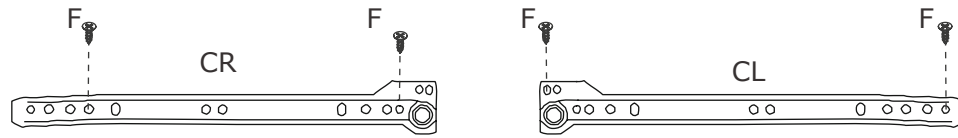
Insert back panels 6 and panel 5(x2).

Insert wood falcon G into panel 3, 4, 7, and 8. Connect panel 2 with panel 3, 4, 7, and 8 by tightening screw T. Thread eccentric rod A into panel 2.



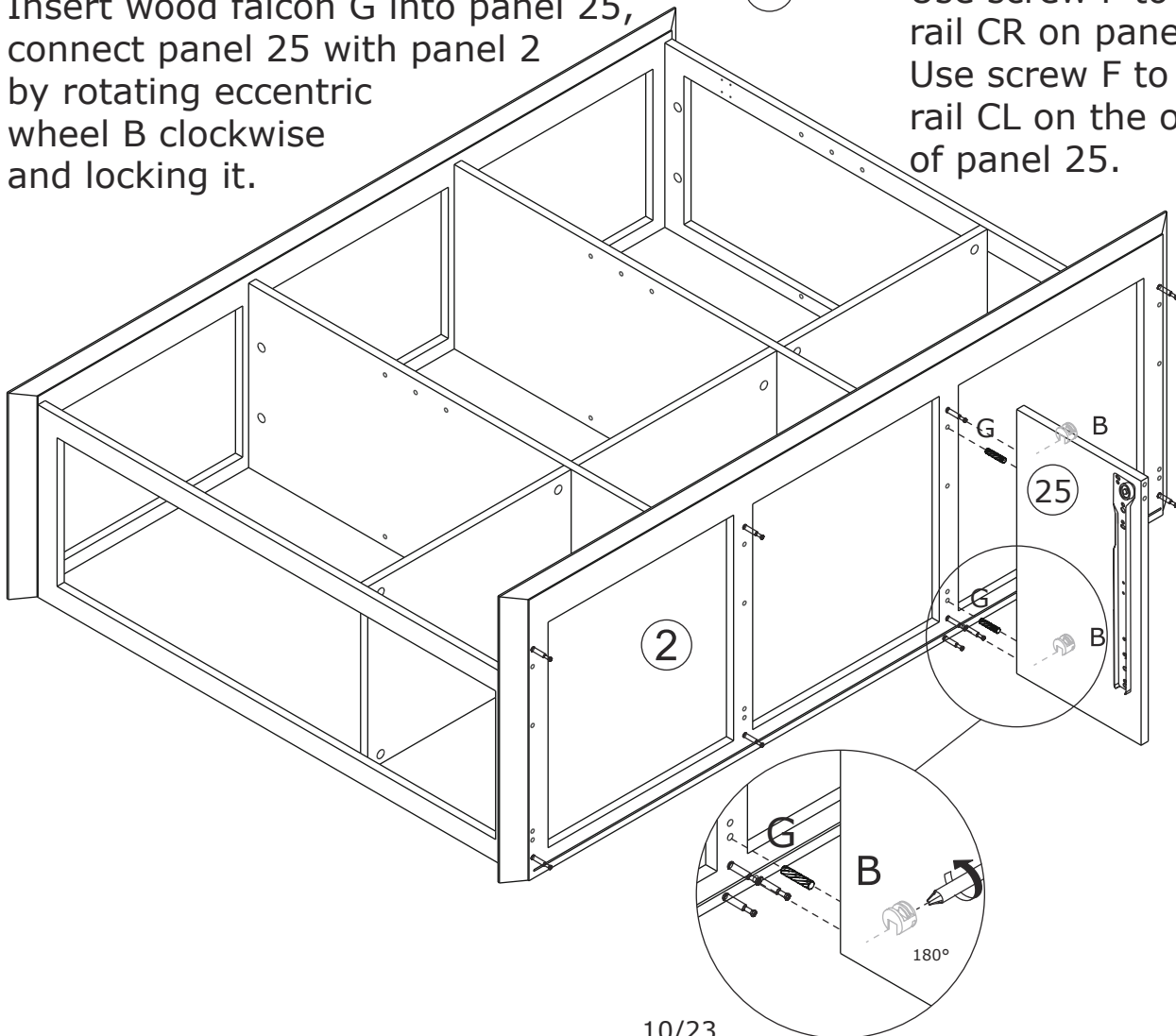
8

B x 2 	F x 4  Ø3 x 12 mm	CL x 1 	CR x 1 	G x 2  Ø6 x 30 mm	
--	--	---	--	--	---

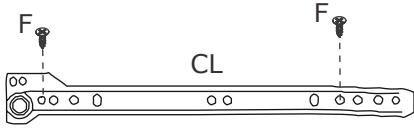
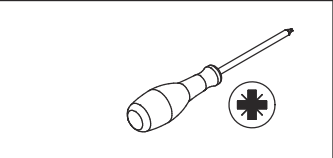
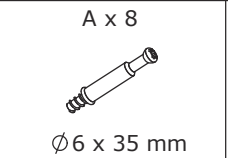
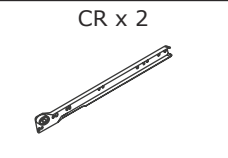
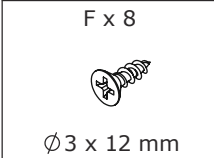


Insert wood falcon G into panel 25, connect panel 25 with panel 2 by rotating eccentric wheel B clockwise and locking it.

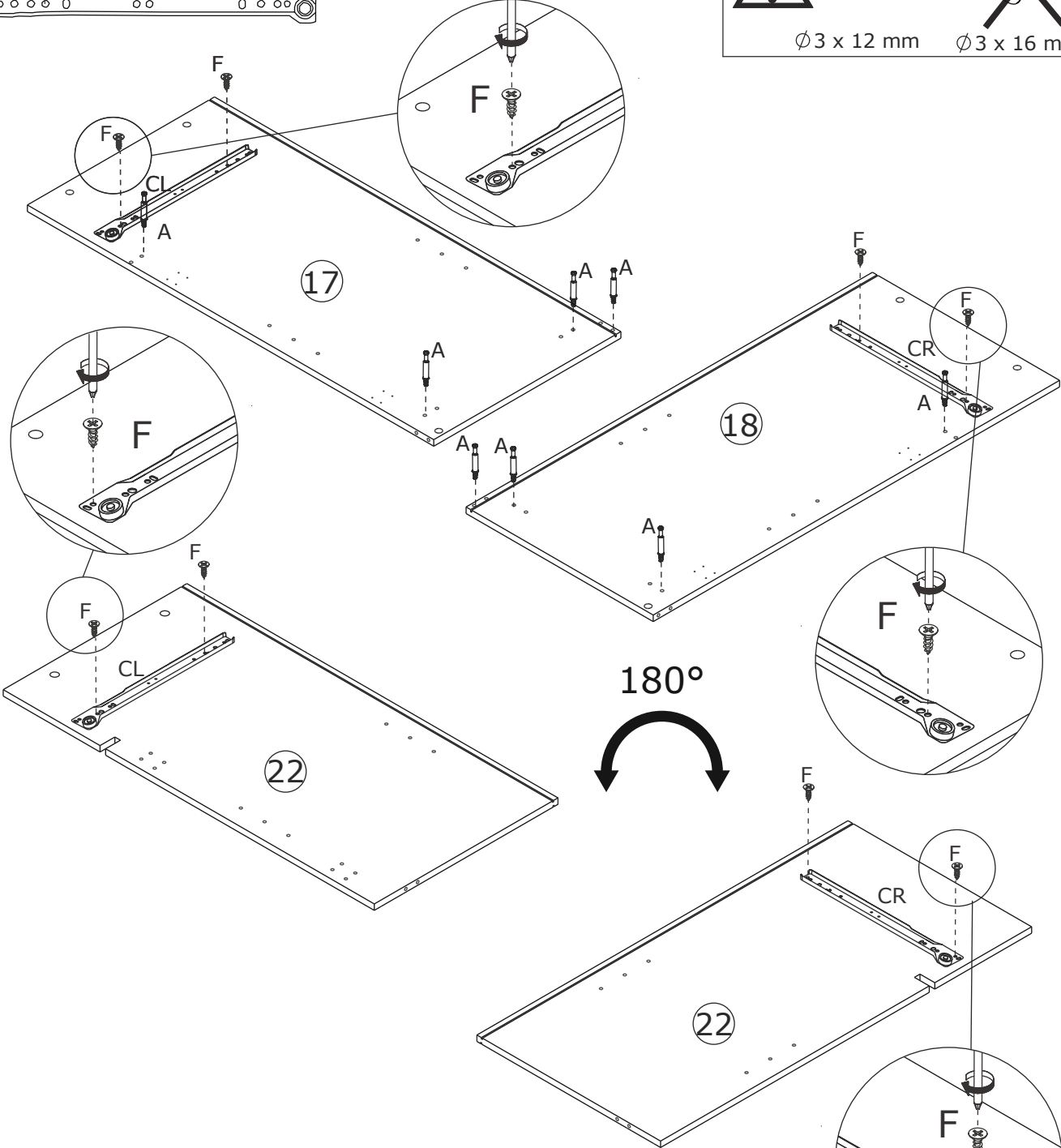
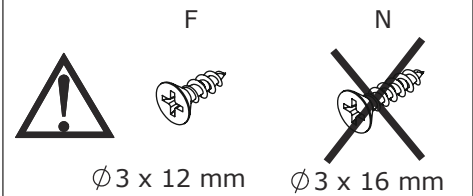
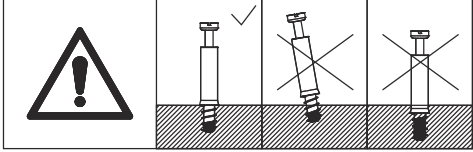
Use screw F to fix guide rail CR on panel 25. Use screw F to fix guide rail CL on the other side of panel 25.



9



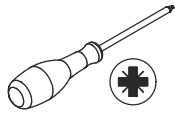
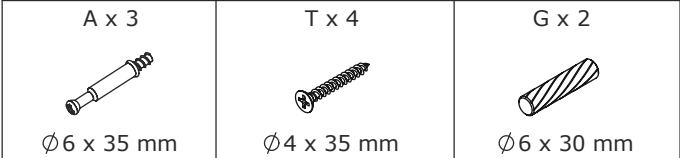
Thread eccentric rod A into panel 17 and 18.



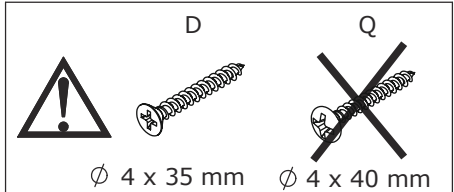
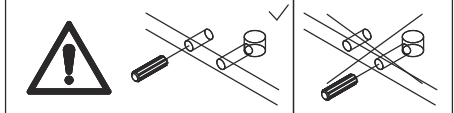
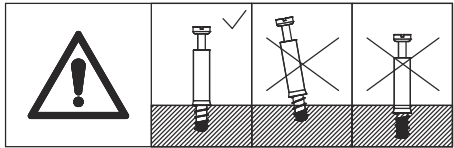
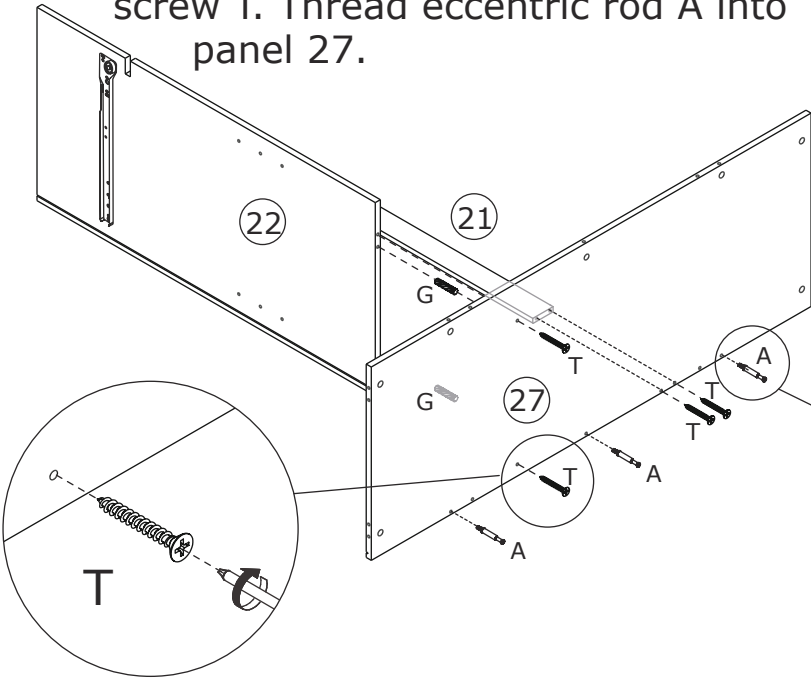
Use screw F to fix guide rail CL on panels 17 and 22.

Use screw F to fix guide rail CR on panels 18 and 22.

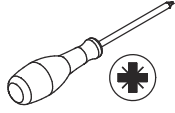
10



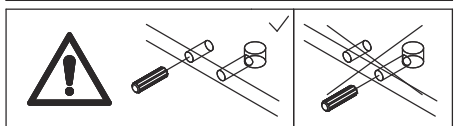
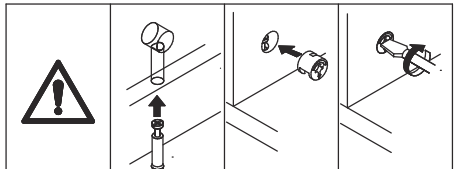
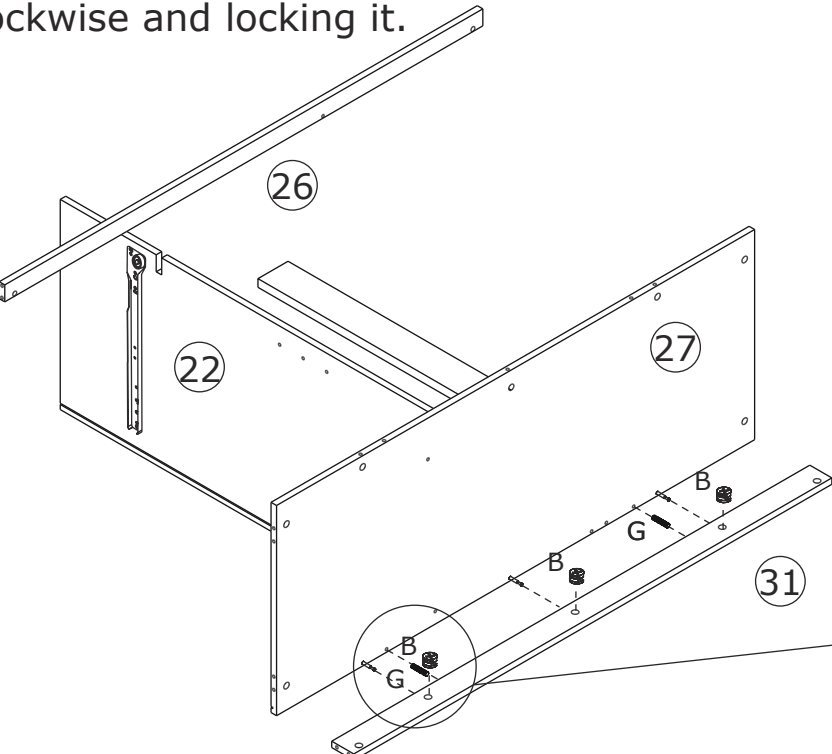
Insert wood falcon G into panel 27, connect panel 27 with panel 21 and 22 by tightening screw T. Thread eccentric rod A into panel 27.



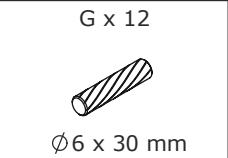
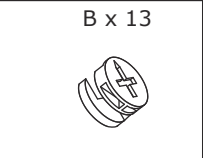
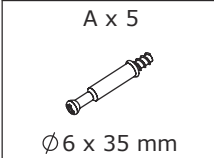
11



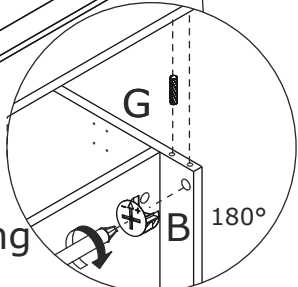
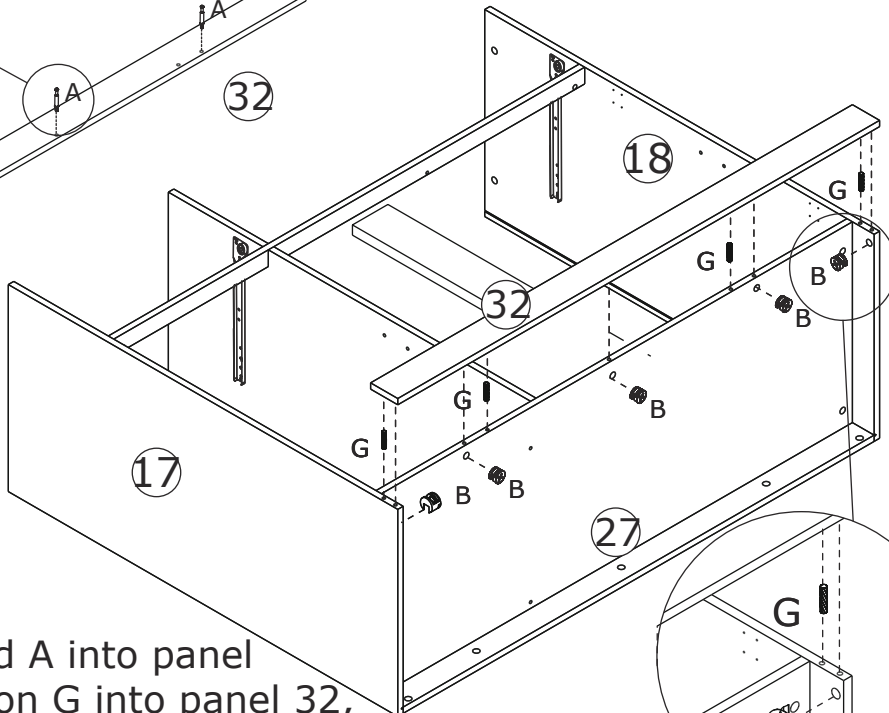
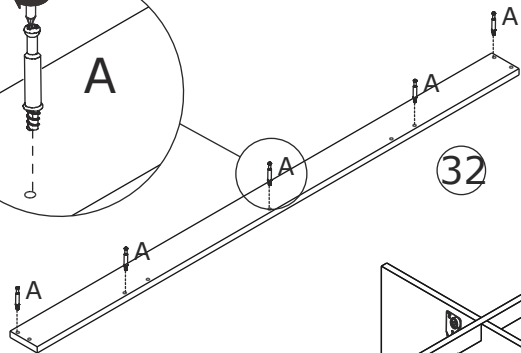
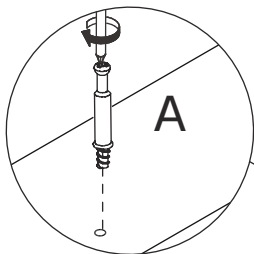
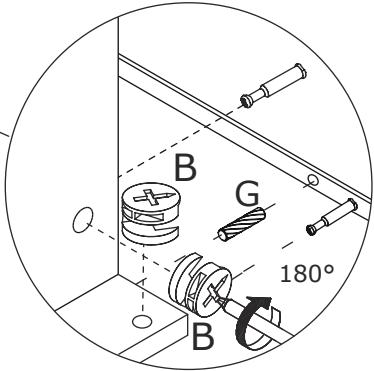
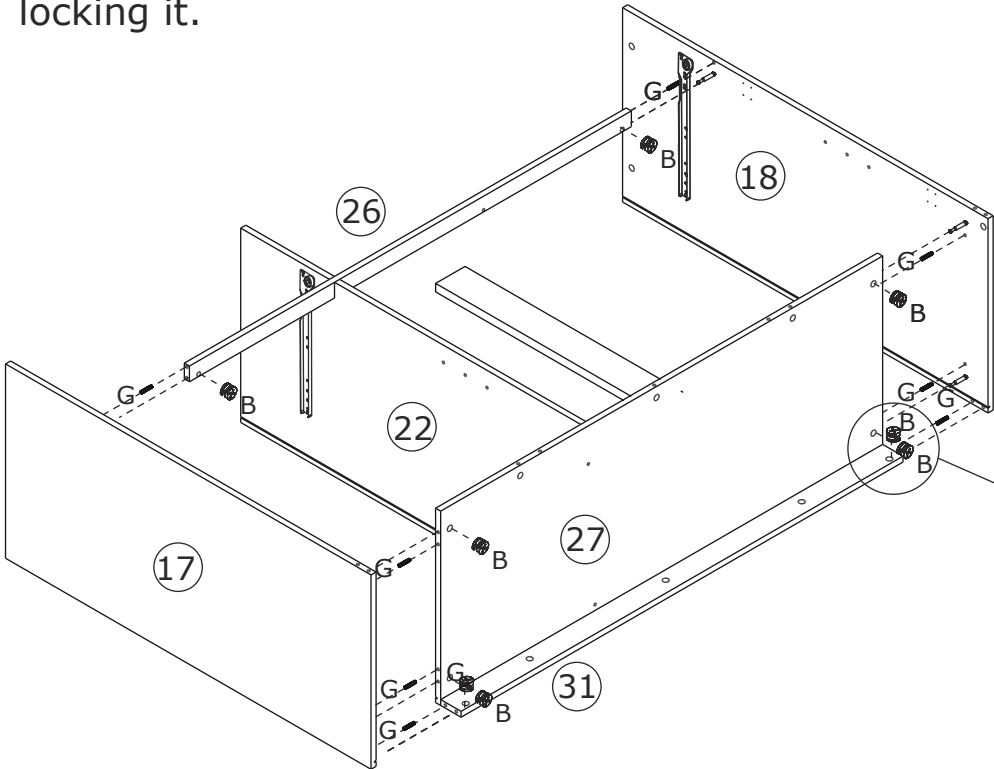
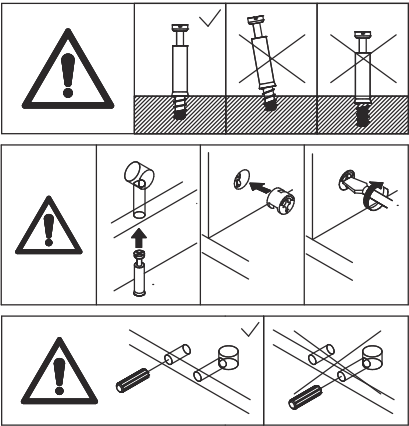
Insert wood falcon G into panel 31, connect panel 31 with panel 27 by rotating eccentric wheel B clockwise and locking it.



12



Insert wood falcon G into panel 26, 27, and 31.
Connect panel 26, 27, and 31 with panel 17 and 18
by rotating eccentric wheel B clockwise and
locking it.



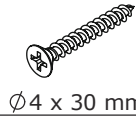
Thread eccentric rod A into panel
32. Insert wood falcon G into panel 32,
connect panel 32 with panel 17, 18, and 27 by rotating
eccentric wheel B clockwise and locking it.

13

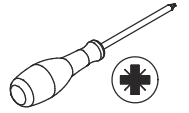
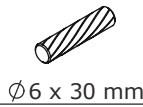
B x 8



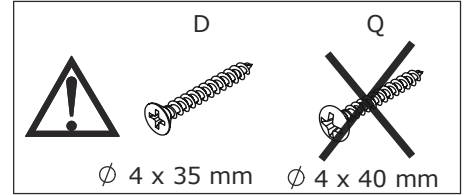
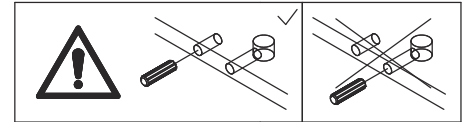
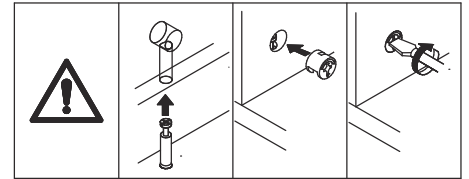
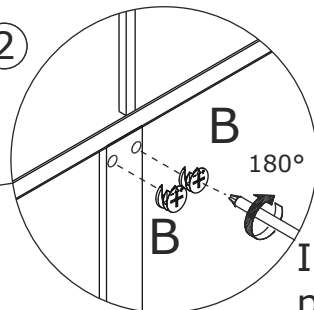
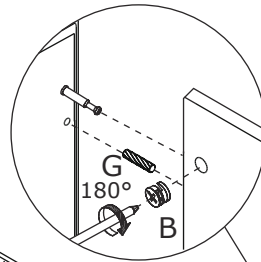
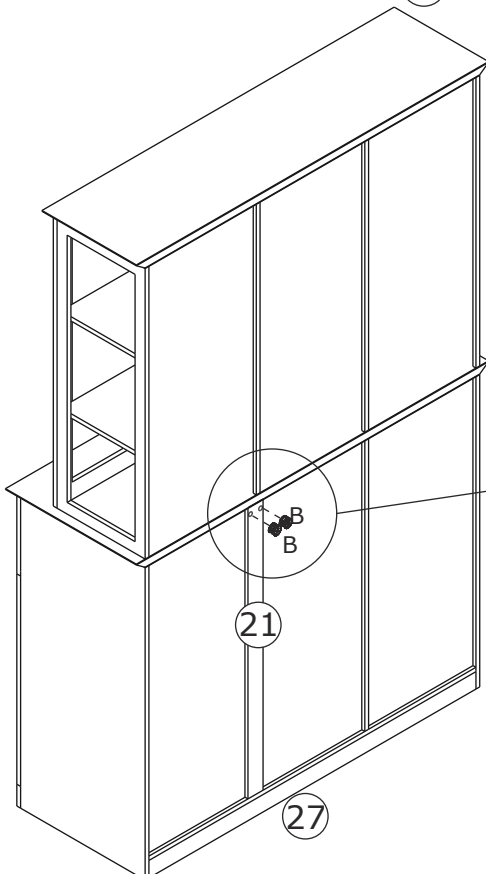
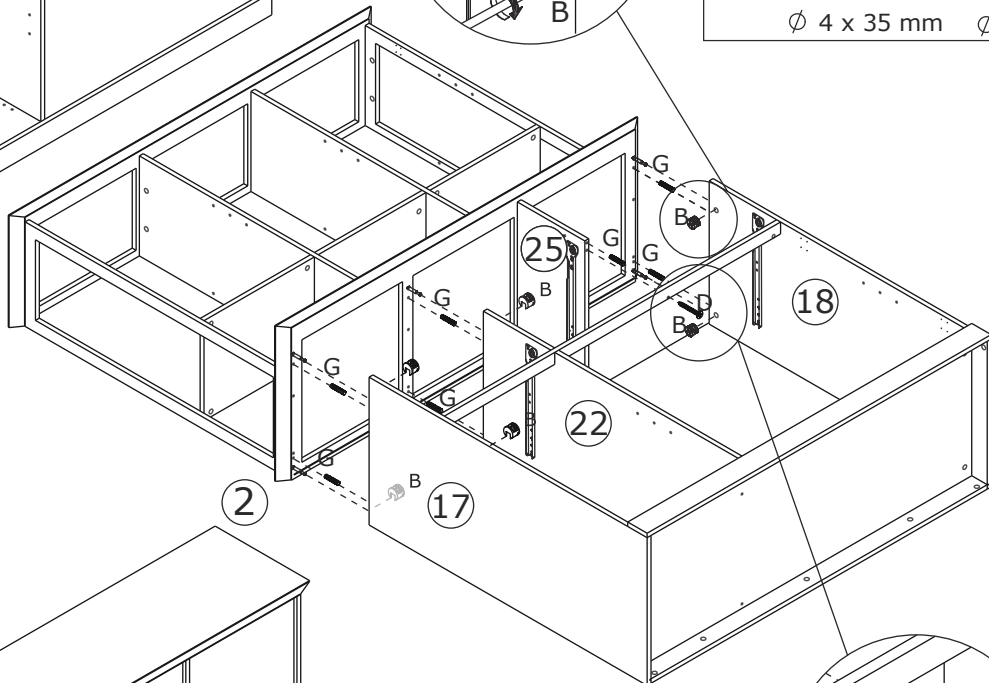
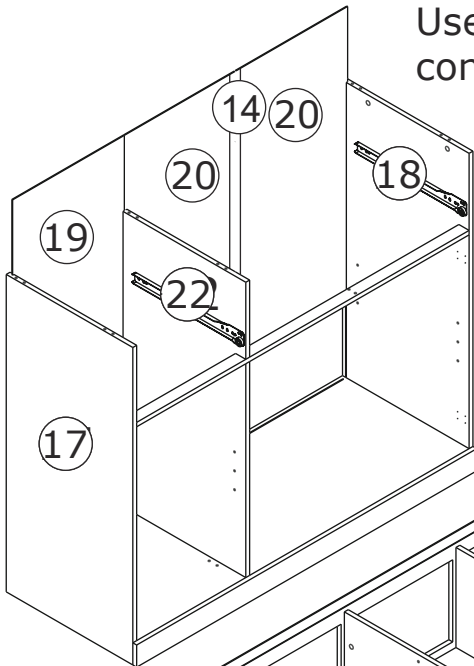
D x 1



G x 7

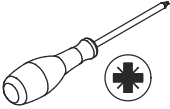
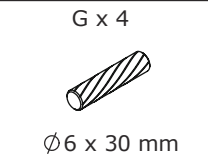
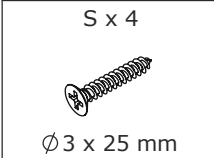


Use plastic strip 14 to connect two panel 20. Insert panel 20.

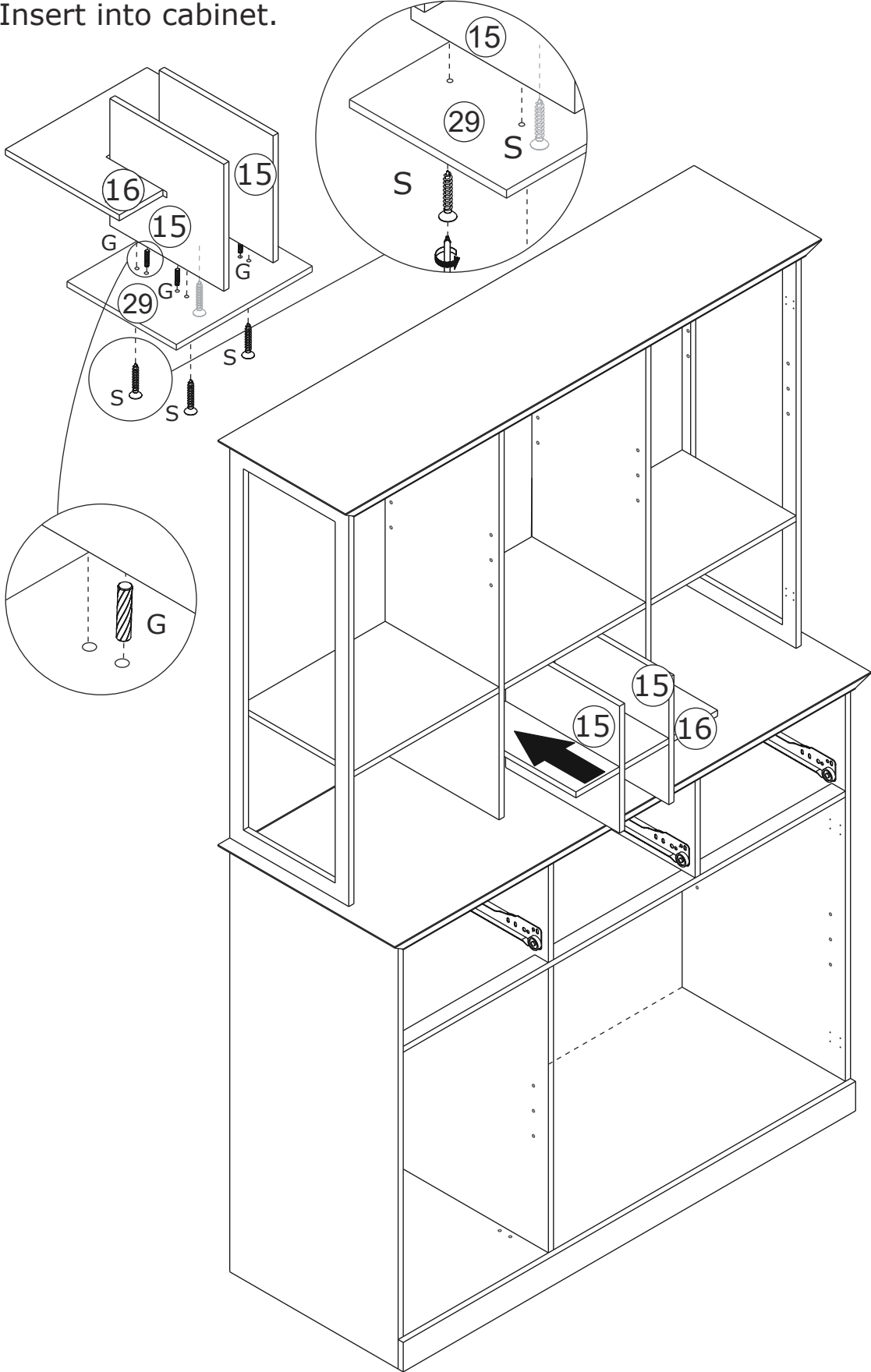


Insert wood falcon G into panel 17, 18 and 21, 22. Connect panel 2 with panel 17, 18, 21, and 22 by rotating eccentric wheel B clockwise and locking it. Connect panel 25 and 26 by tightening screw D.

14

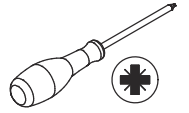


Connect panel 16 with two panel 15. Insert wood falcon G into panel 29. Connect panel 29 with two panel 15 by screw S. Insert into cabinet.

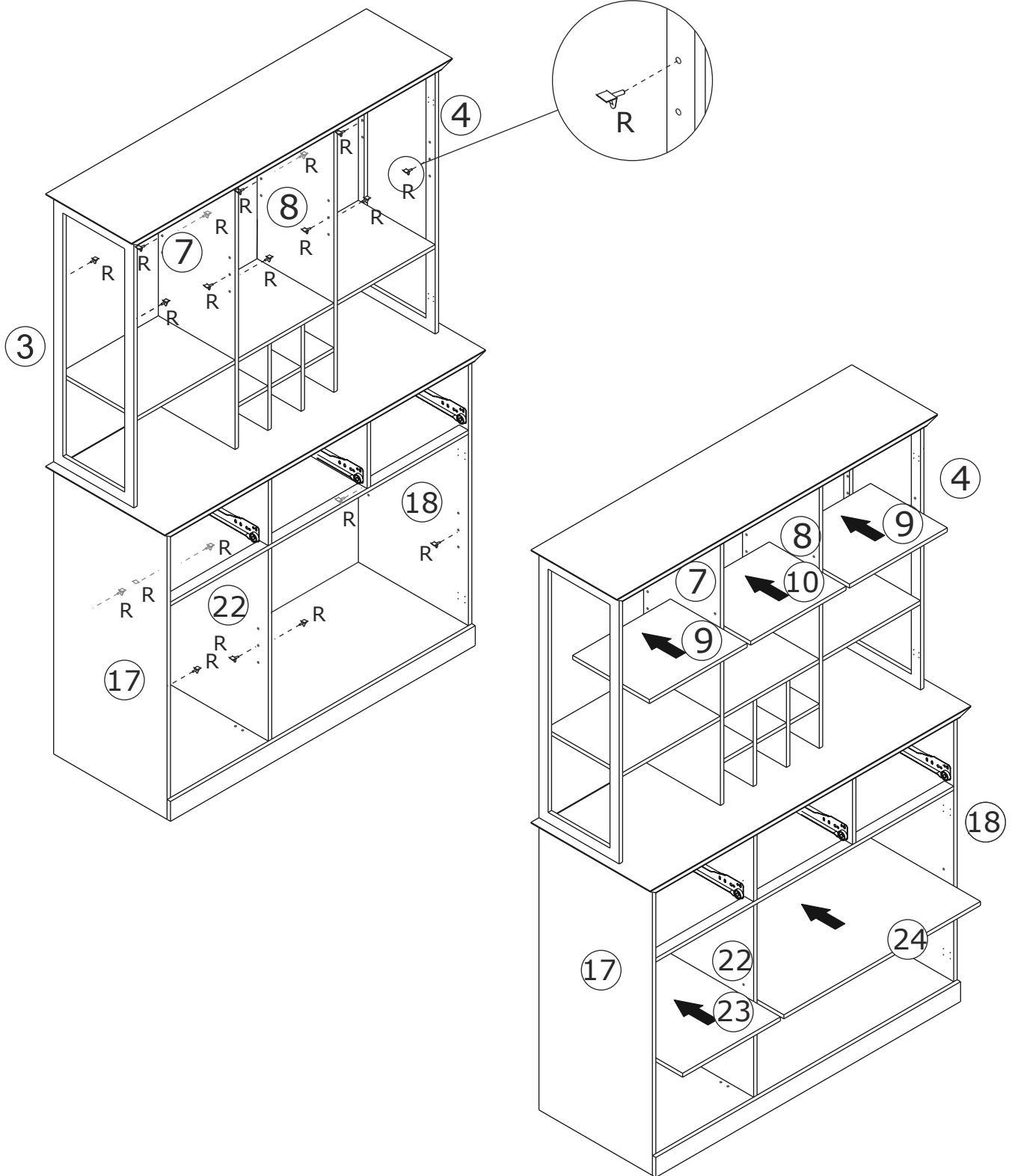


15


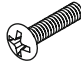
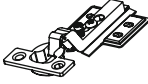
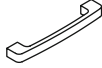

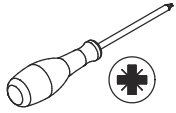
R x 20



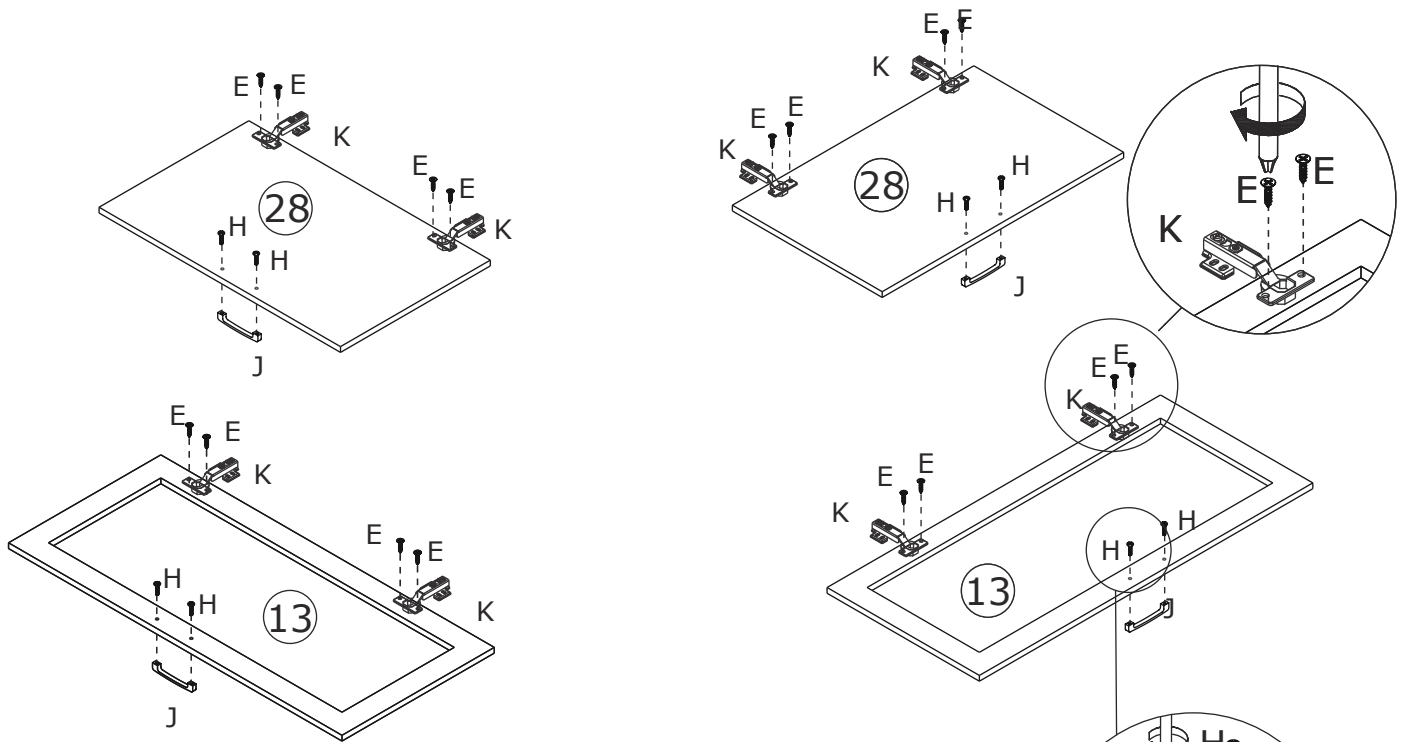
Insert layer board fasteners P. Insert layer panel 9 and 10.



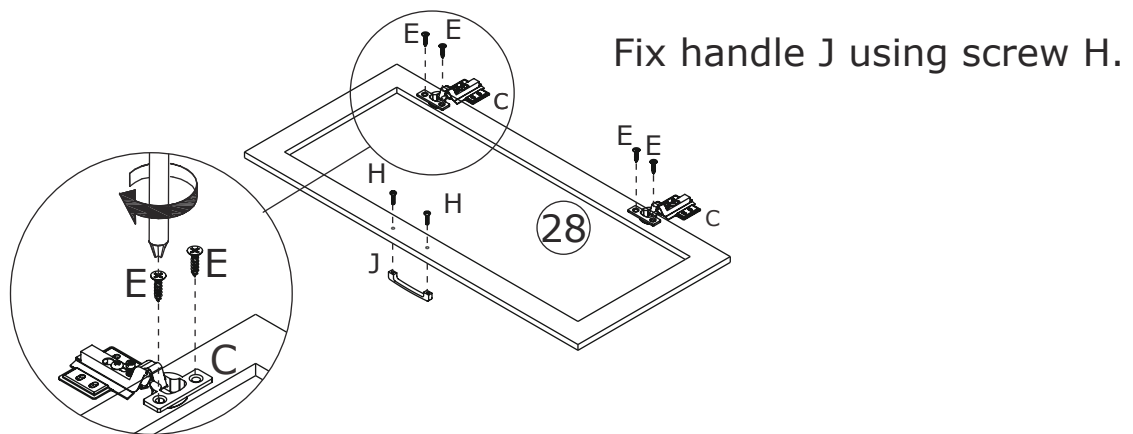
16

<p>E x 20  Ø4 x 14 mm</p>	<p>H x 10  Ø4 x 14 mm</p>	<p>K x 8 </p>	<p>J x 5 </p>	<p>C x 2 </p>	
--	--	--	---	--	---

Use screw E to fix hinge K on two panel 13 and 28.



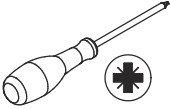
Use screw E to fix hinge C on panel 28.



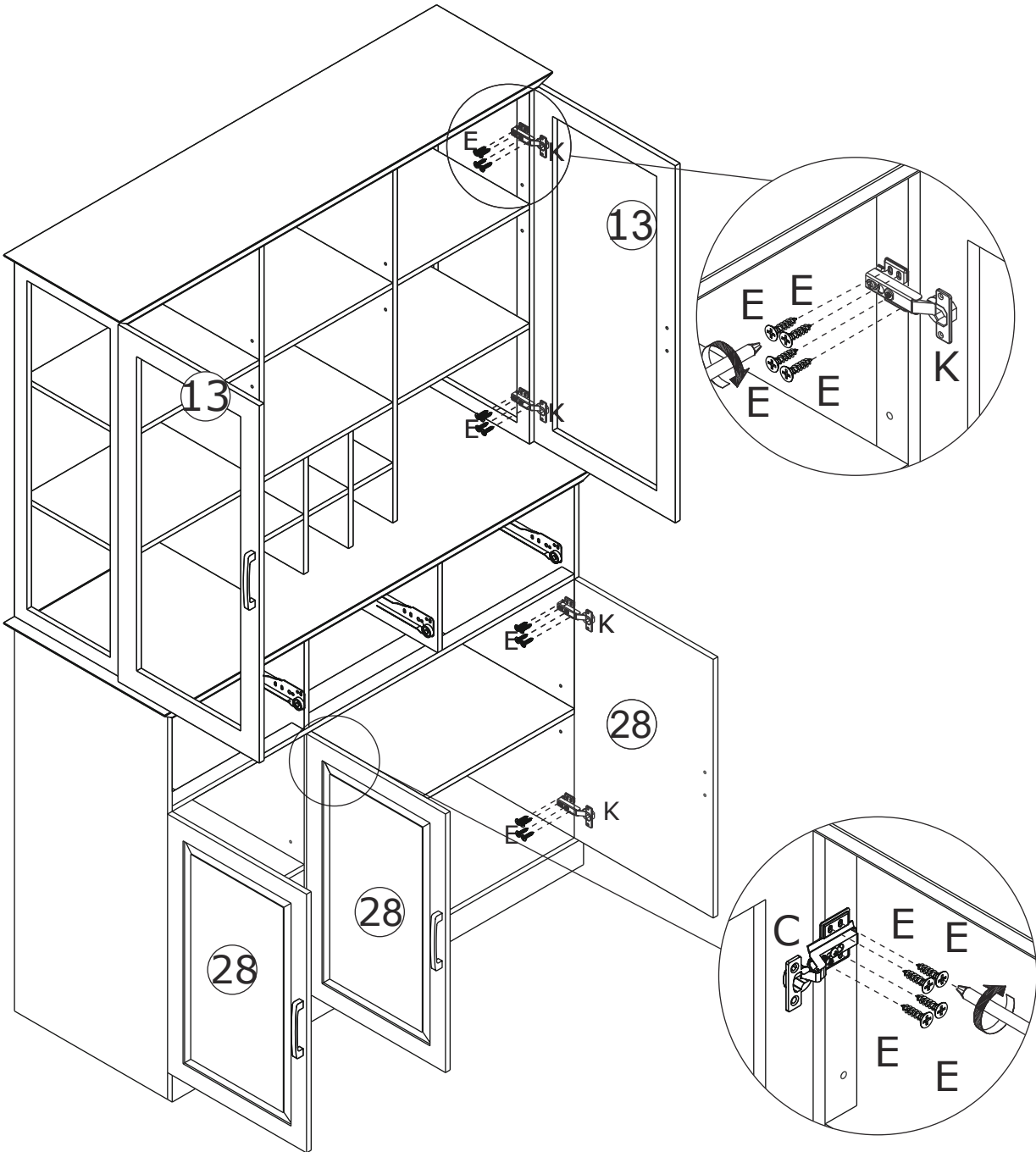
Fix handle J using screw H.

17

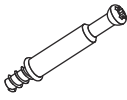


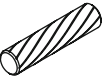
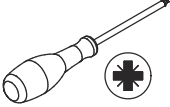
E x 40
Ø4 x 14 mm

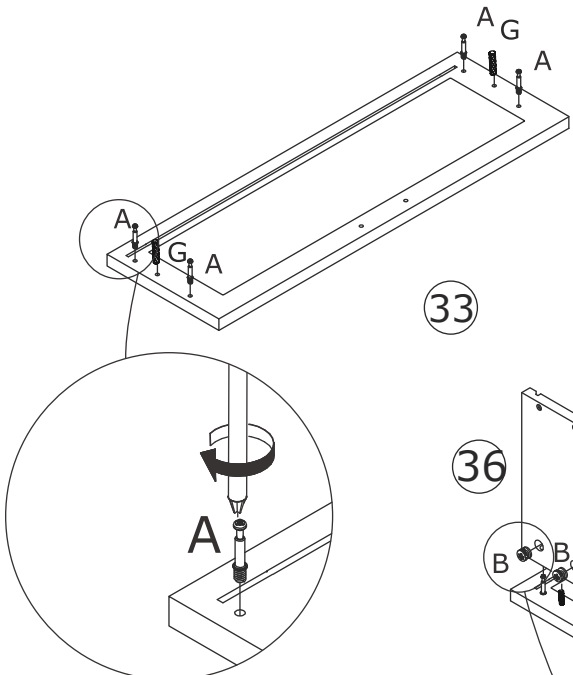
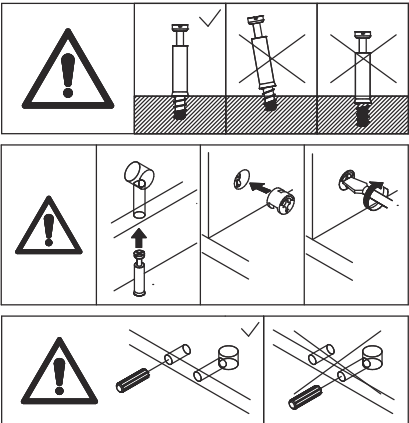


Use screw E to connect panel 13 with panel 3 and 4 through hinge K.
Use screw E to connect panel 28 with panel 17 and 18 through hinge K.
Use screw E to connect panel 28 with panel 22 through hinge C.



18

<p>A x 8</p>  <p>Ø6 x 35 mm</p>	<p>B x 8</p>  <p></p>	<p>D x 8</p>  <p>Ø4 x 30 mm</p>	<p>G x 4</p>  <p>Ø6 x 30 mm</p>	
--	--	--	---	---



33

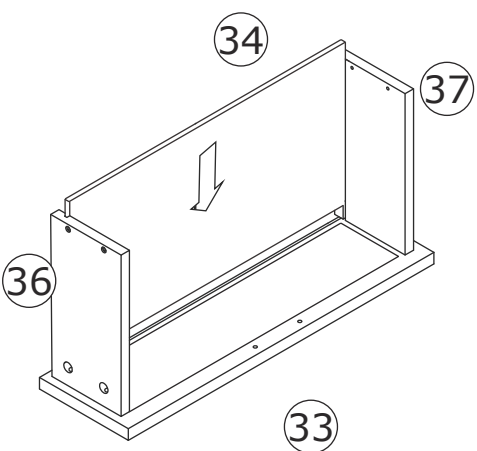
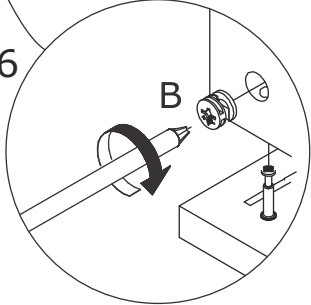
36

37

33

Thread eccentric rod A into panel 33. Insert wood falcon G into panel 33.

Connect panel 33 with panel 36 and 37 by rotating eccentric wheel B clockwise and insert panel 34.

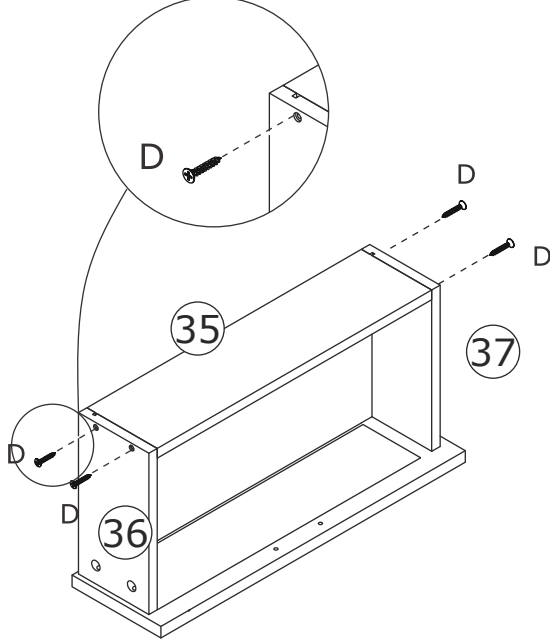


34

37

36

33



35

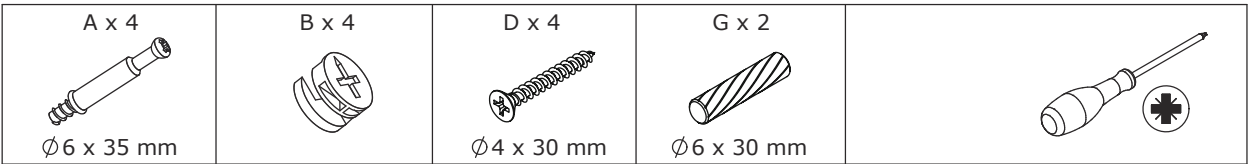
37

36

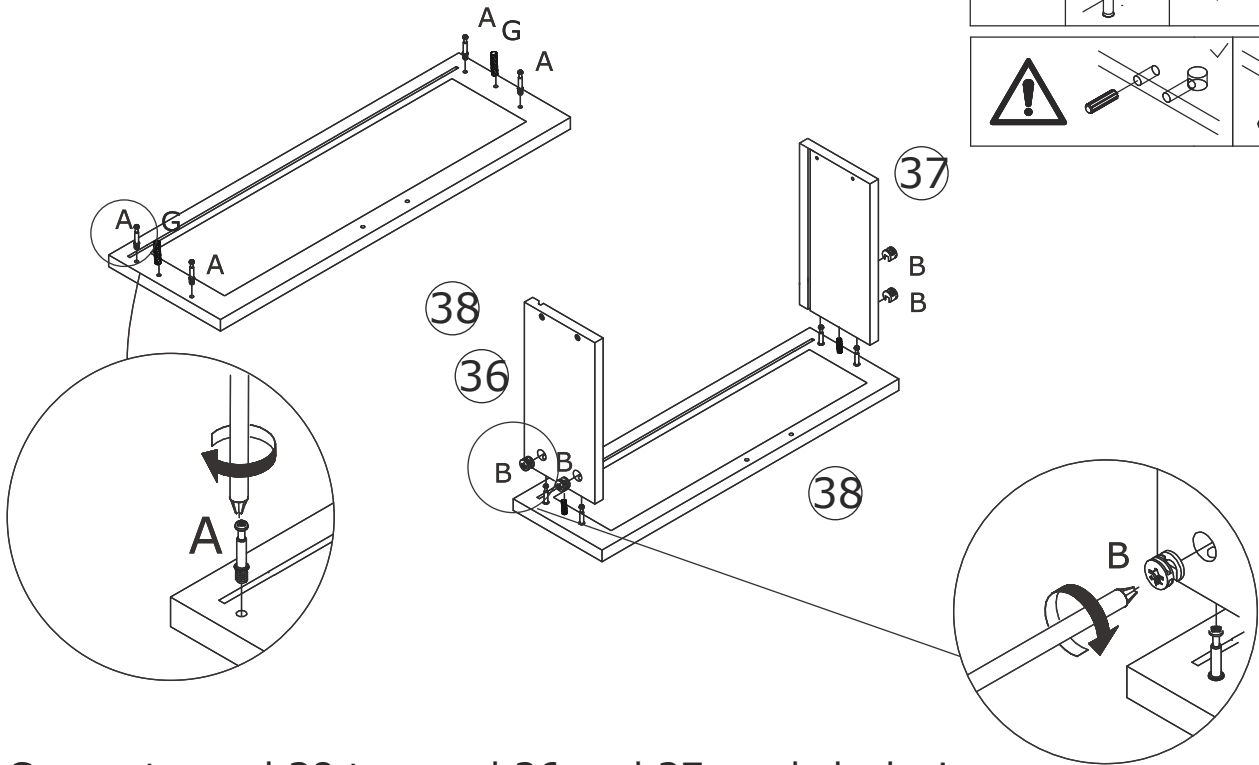
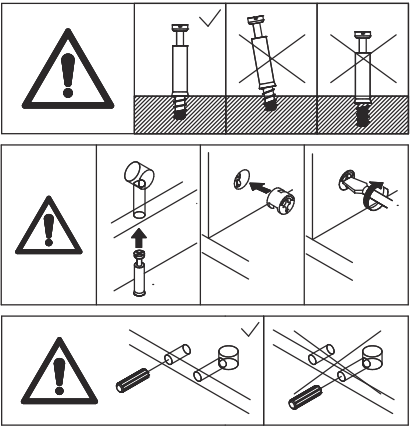
Fix panel 35 to panel 36 and 37 using screw D.

x2

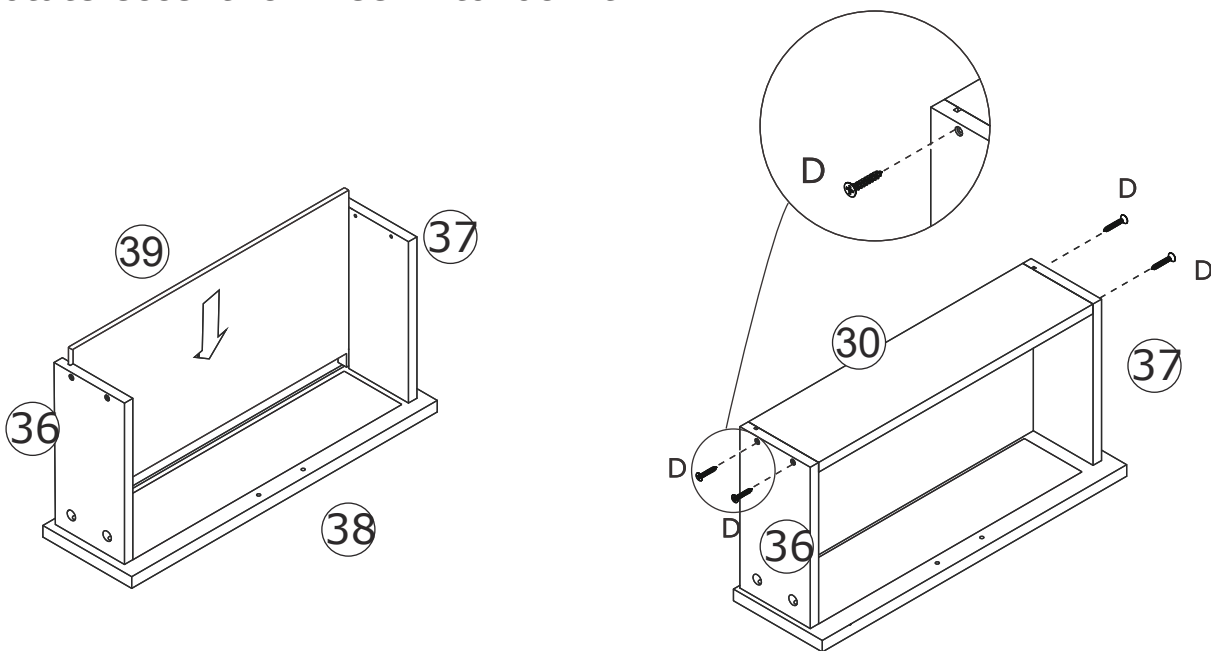
19



Thread eccentric rod A into panel 38, insert wood keşrel G into panel 38. Insert panel 39.

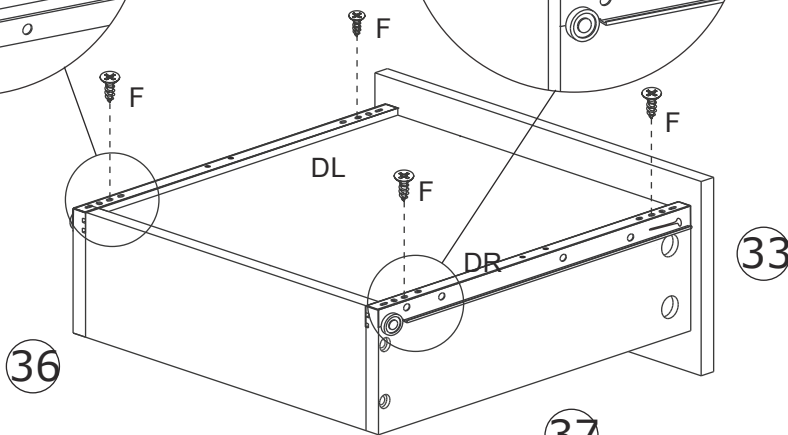
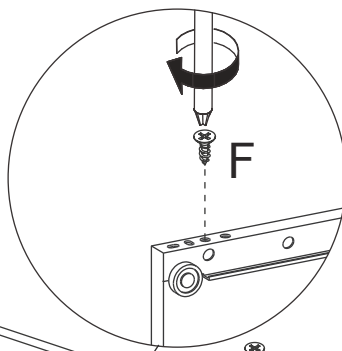
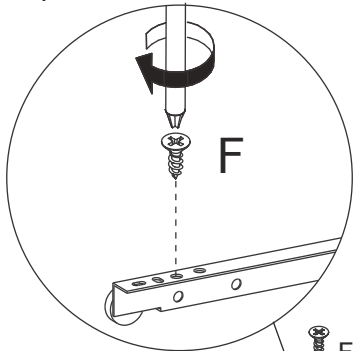
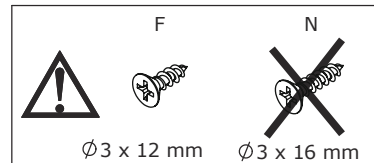
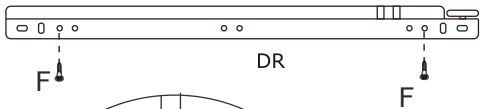
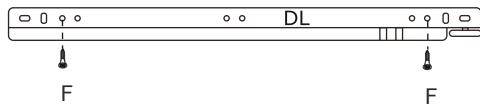
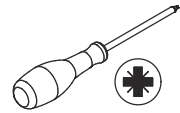
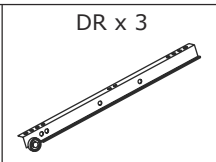
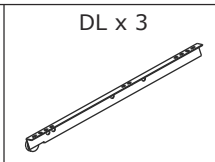
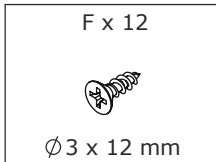


Connect panel 38 to panel 36 and 37, and clockwise rotate eccentric wheel B to lock it.

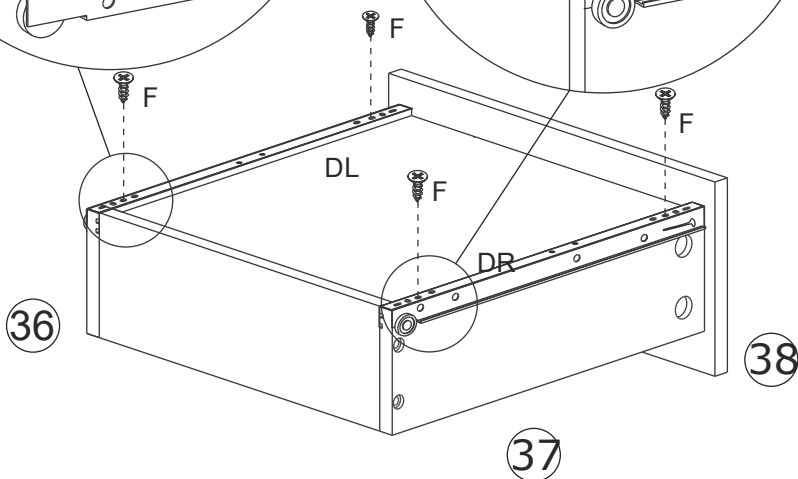
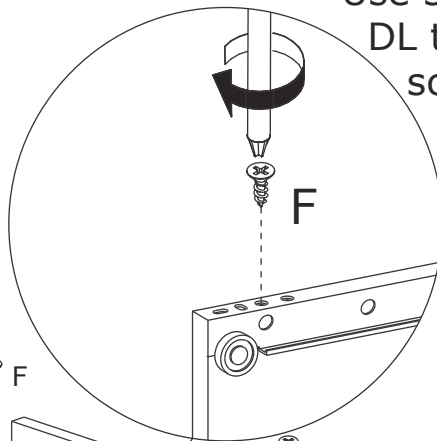
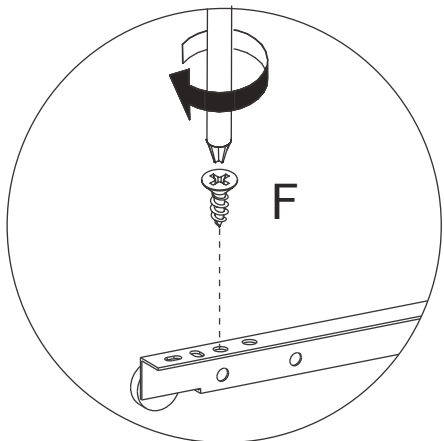


Use screw D to connect panel 30 to panel 36 and 37.

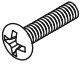
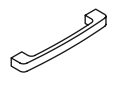
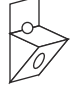
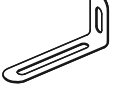
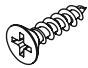

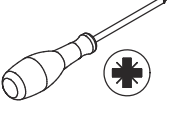
20



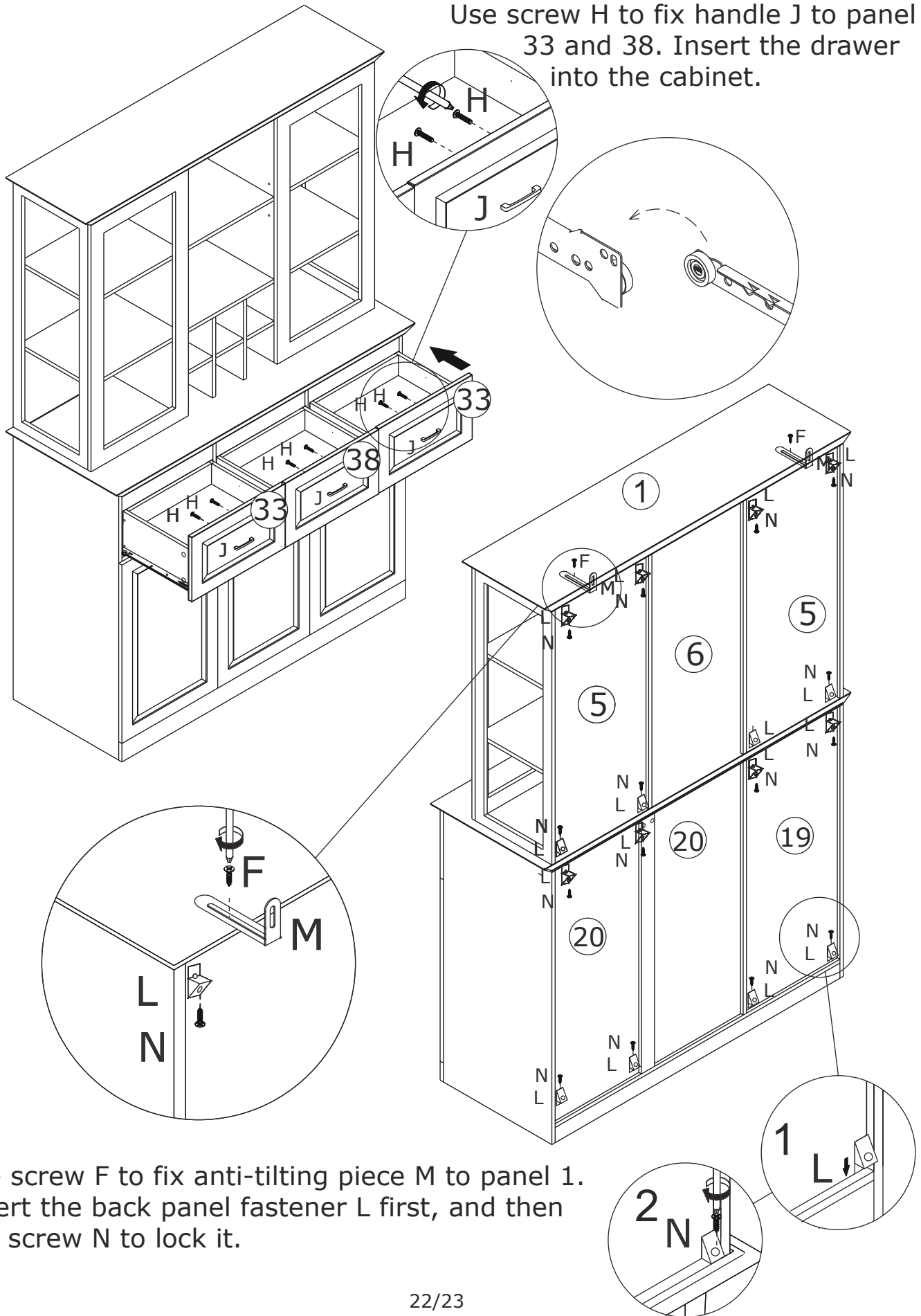
Use screw F to fix guide rail DL to panel 36, and use screw F to fix guide rail DR to panel 37.



21

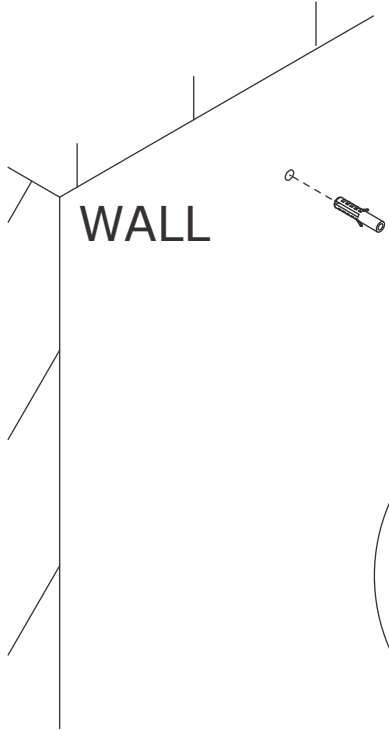
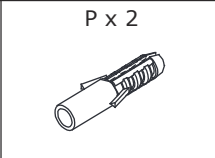
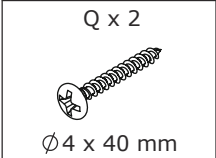
H x 6  Ø4 x 14 mm	J x 3 	L x 16 	M x 2 	N x 16  Ø3 x 16 mm	F x 2  Ø3 x 12 mm	
--	--	---	--	--	--	---

Use screw H to fix handle J to panel 33 and 38. Insert the drawer into the cabinet.

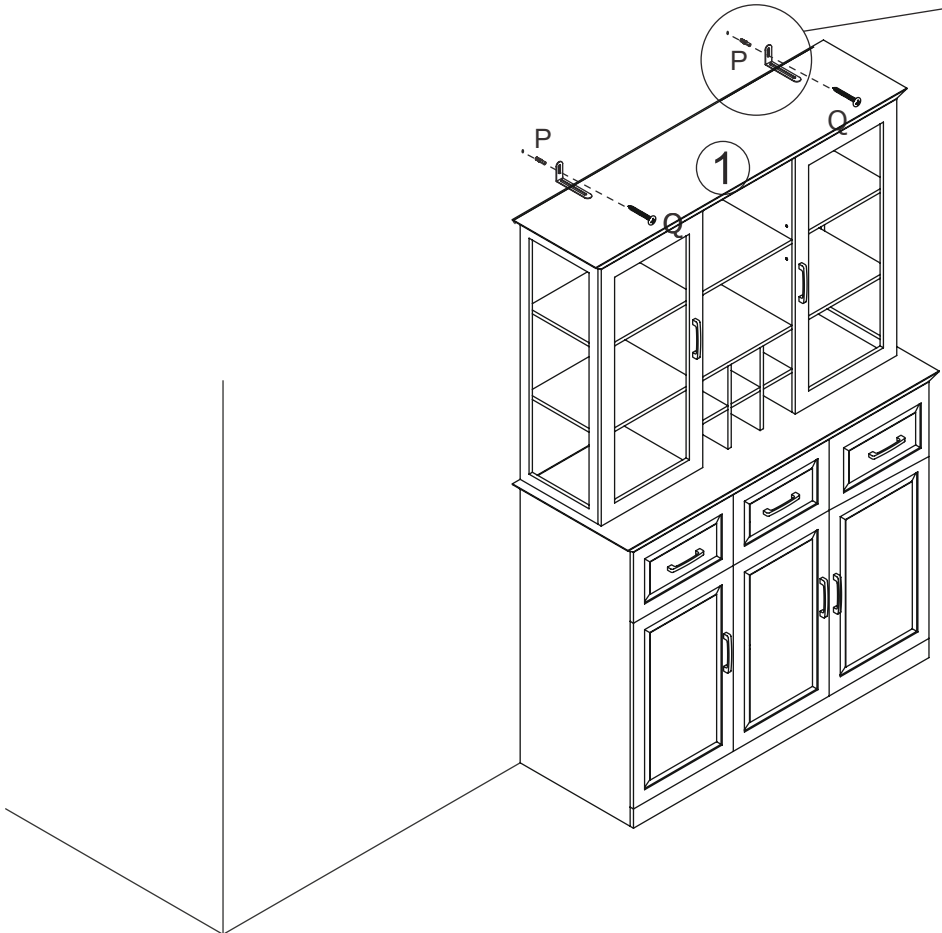
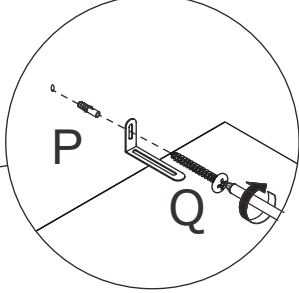
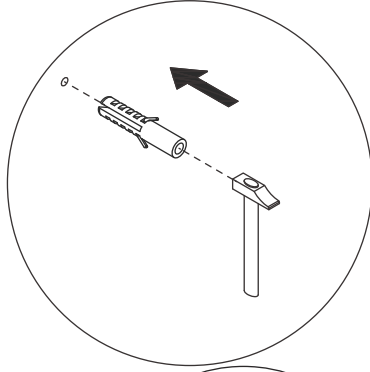
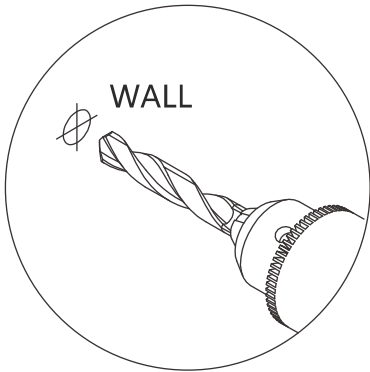


Use screw F to fix anti-tilting piece M to panel 1. Insert the back panel fastener L first, and then use screw N to lock it.

22



Mark on the wall, drill holes with an electric drill, hammer in plastic piece P, and use screw Q to screw it into the plastic piece P through the anti-tilting piece M.



WARRANTY

WARRANTY CLAIMS

- There is a 30-day warranty for broken furniture or any other problems that do not work properly. The warranty will start from the date of purchase which must be verified by proof of purchase.
- Before making a claim, we may be able to answer your query, simply call us. Please leave your purchase order number, along with some details of the problem, if you want a replacement part. We will arrange within 48 hours. If there is out of stock, we will reply with a shipping date.
- The product must be used in accordance with the instructions provided. For health reasons.
- For other reasons, if the furniture needs to be returned, it must be cleaned and dried and operated within 30 days of receipt.

Type of Warranty Claim

- Failure to follow the furniture instructions will invalidate the warranty. Attention please.
- Does not include damage during installation, but includes damage during transportation.

Scope of responsibility

- Shall not bear any responsibility for misuse or user damage and / or loss of parts during the installation of furniture.
- After using, the damage and scratches of the furniture are not covered by the warranty.

The Warranty Relates to All Bought in The Us and Covers The Following Areas

- Sheet parts: 1 month from the date of purchase.
- Electrical parts: 1 month from the date of purchase.

RETURNS

CHANGED YOUR MIND AND NEED TO RETURN YOU ITEM?

PLEASE FOLLOW THE BELOW INSTRUCTIONS:

- If you have purchased and have simply changed your mind, follow the retailer's instructions for returns.

DEFECTIVE ITEMS

- If your item is defective in any way, i.e. it doesn't work but you can't identify why, in the first instance, please call us.

DAMAGED ITEMS

- If you receive an order with obvious shipping damage from the retailer, then we suggest the delivery is refused. If the delivery has been accepted and then shipping damage is found, please follow the specific instructions advised by the retailer.
In all circumstances please save all packaging material and paperwork for the order. Please be aware that if you dispose of packaging material or attempt to return the merchandise without contacting the fulfiller, you jeopardise your chances of making a claim, and you may not receive a credit for the return.