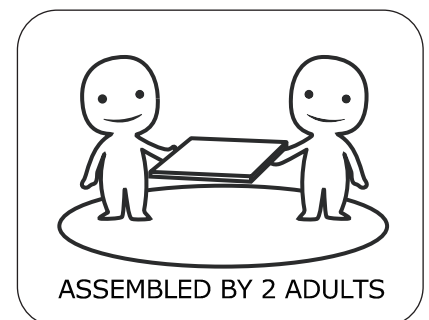
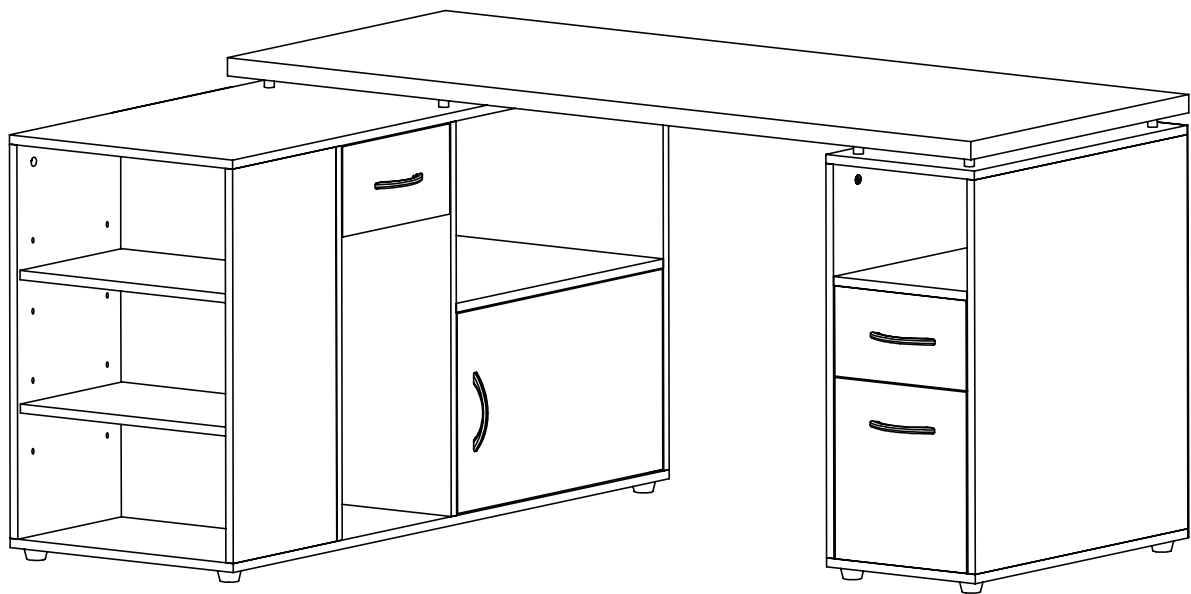
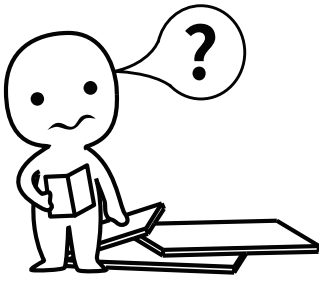


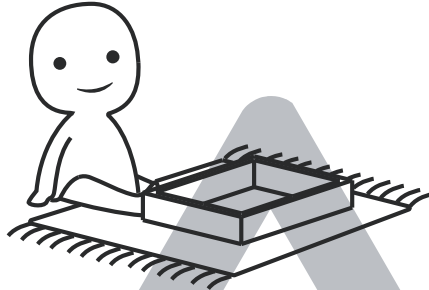
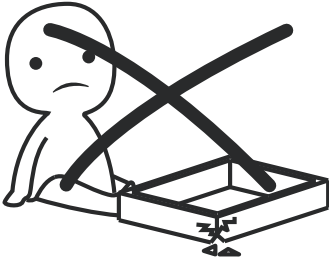
L Shaped Desk





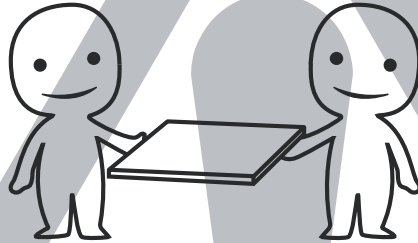
IMPORTANT INFORMATION!

please read the entire manual before starting to assemble and/or using this product. follow the manual thoroughly and keep it for further reference.



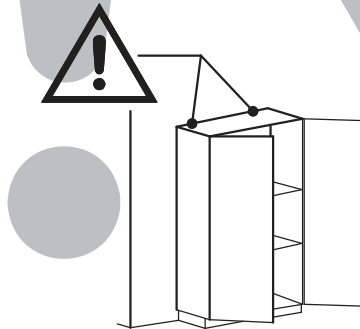
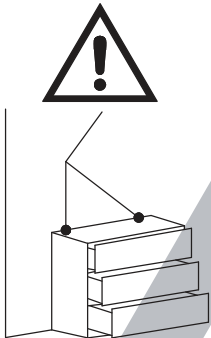
AVOID SCRATCHES!

In order to avoid scratching this furniture should be assembled on a soft layer - could be a rug.



IMPROVE EFFICIENCY !

Try to find a partner to install with you, which can speed up the installation efficiency and shorten the time.



ANTI-TOPPLE WARNING !

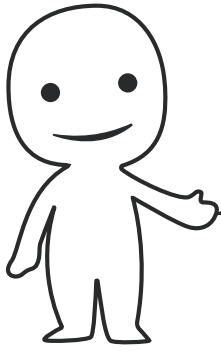
Overturned furniture can cause serious or fatal crush injuries. To prevent tipping over, be sure to use the wall attachment, if not included with this product. Please purchase the wall attachment that fit your wall. If unsure, seek professional advice. Please read and follow each step of the instructions carefully.

IMPORTANT !

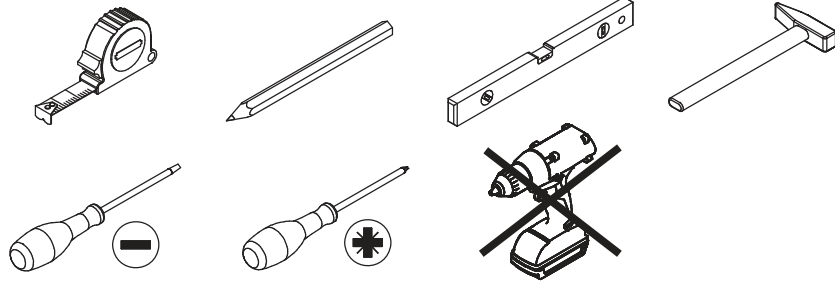
It is important that any product which is assembled using any kind of screw is re-tightened 2 weeks after assembly, and once every 3 months - in order to assure stability through-out the lifespan of the product.

For regular maintenance and cleaning of the product, for the frame, please use a rag dipped in neutral detergent to fully wipe it, and then dry it with a clean rag. For glass materials, wipe with a rag dampened with water glass cleaner, and then dry with a dry rag.

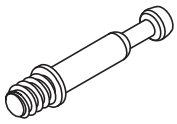

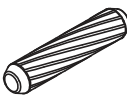
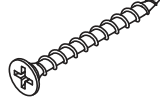


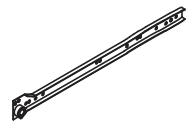
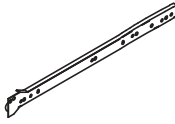
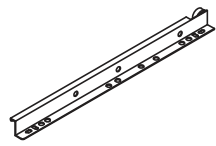
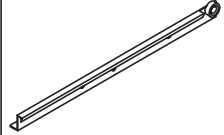

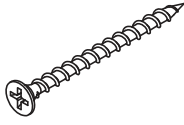
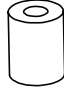
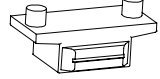

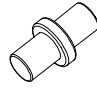




Do not use an electric screwdriver, and do not use too much force when installing, because the board is easy to break.

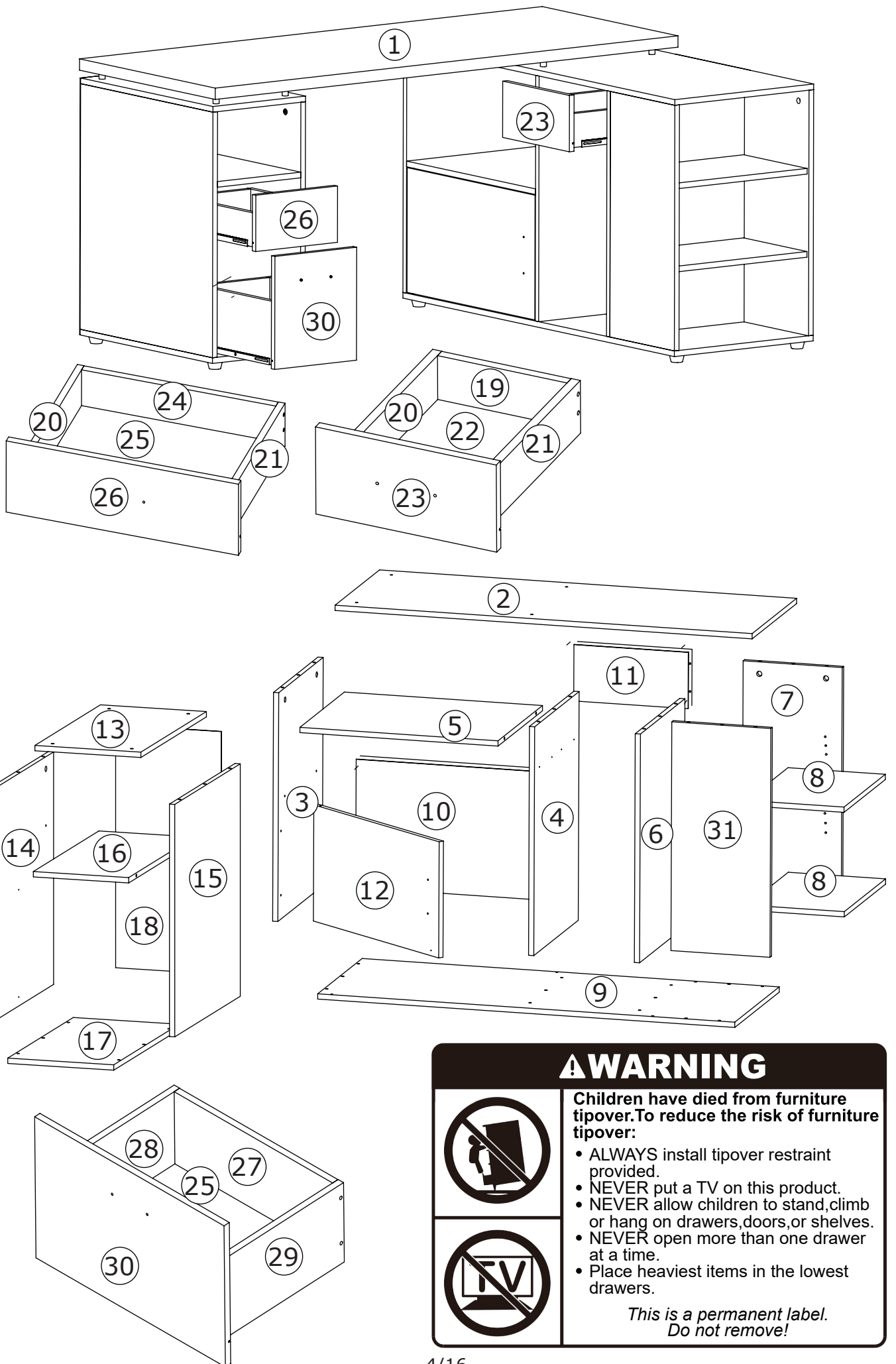


Please prepare the following tools



When installing, please carefully confirm whether each screw corresponds to the manual, accessories with similar shapes can be distinguished by size

<p>A x 42</p>  <p>∅ 7 x 40 mm</p>	<p>B x 42</p>  <p>∅ 15 x 9 mm</p>	<p>C x 14</p>  <p>∅ 6x30 mm</p>	<p>D x 26</p>  <p>∅ 4x35 mm</p>	<p>E x 9</p>  <p>∅ 4 x 25 mm</p>
<p>F x 37</p>  <p>∅ 3 x 12 mm</p>	<p>CL x 3</p> 	<p>CR x 3</p> 	<p>DL x 3</p> 	<p>DR x 3</p> 
<p>I x 9</p> 	<p>J x 8</p>  <p>∅ 5x50 mm</p>	<p>K x 8</p> 	<p>L x 1</p> 	<p>M x 1</p> 
<p>N x 9</p> 	<p>O x 1</p> 	<p>P x 4</p> 	<p>Q x 8</p>  <p>∅ 4 x 20 mm</p>	<p>R x 10</p>  <p>∅ 2.5x10 mm</p>



⚠ WARNING



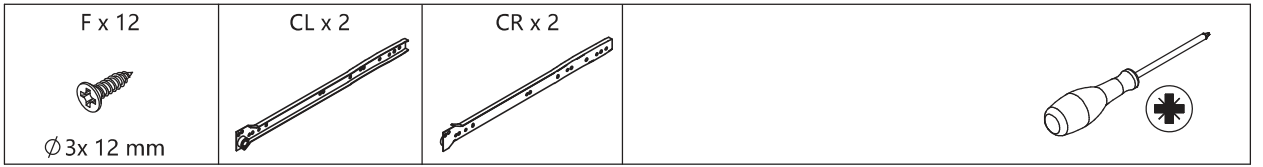
Children have died from furniture tipover. To reduce the risk of furniture tipover:

- ALWAYS install tipover restraint provided.
- NEVER put a TV on this product.
- NEVER allow children to stand, climb or hang on drawers, doors, or shelves.
- NEVER open more than one drawer at a time.
- Place heaviest items in the lowest drawers.

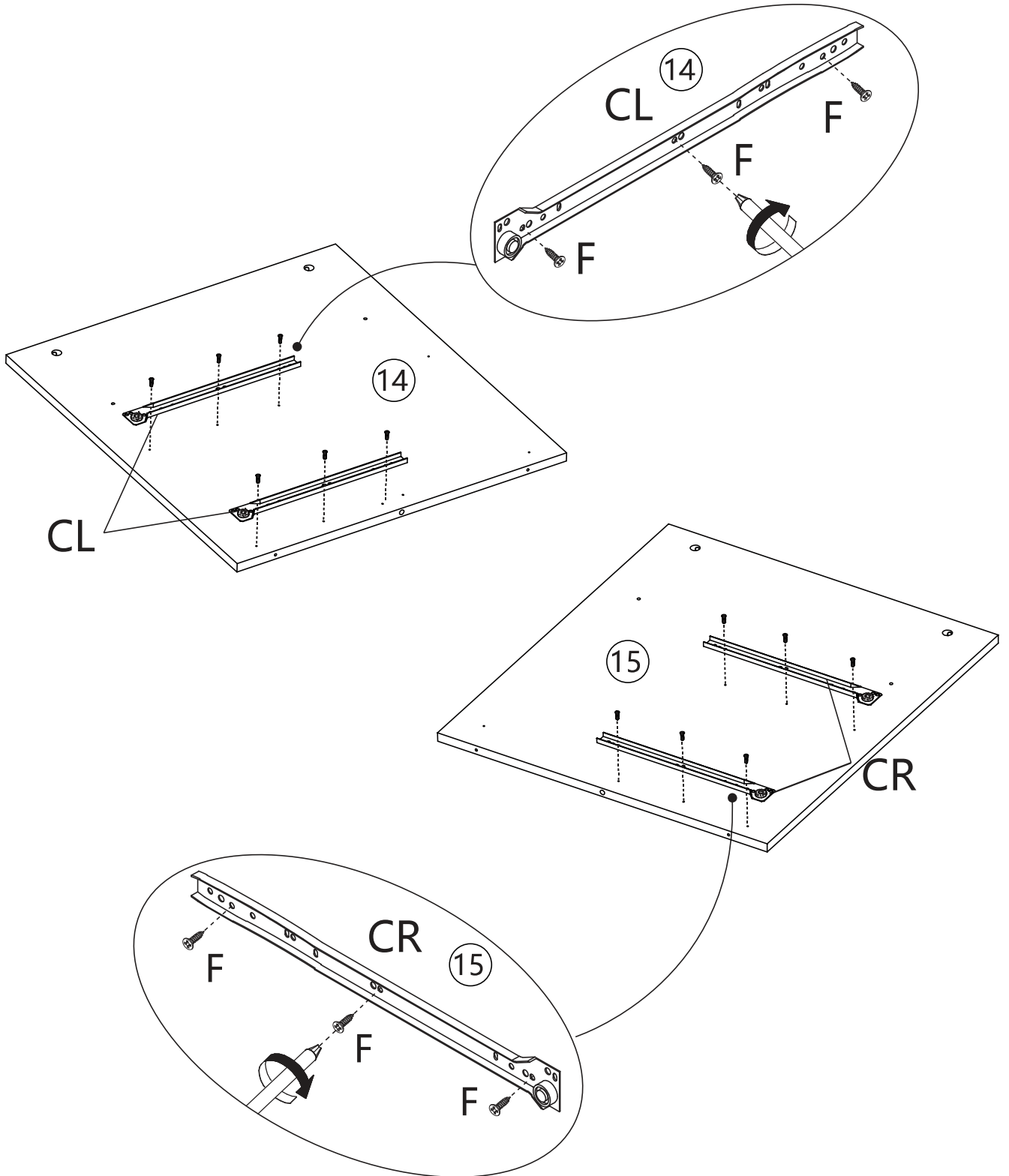


*This is a permanent label.
Do not remove!*

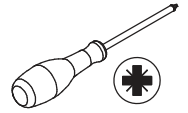
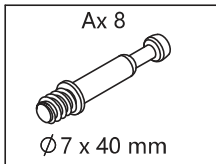
1



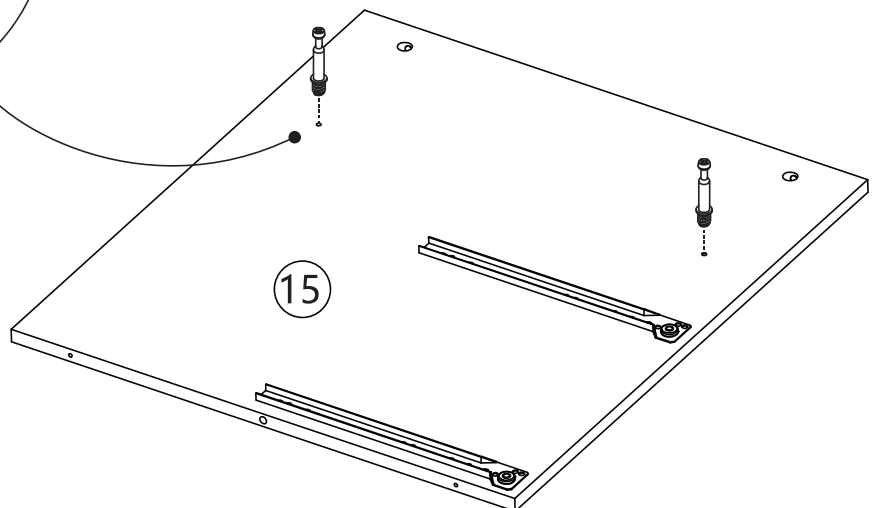
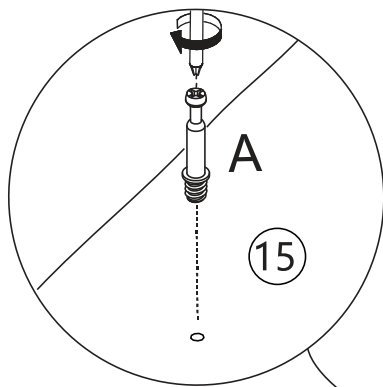
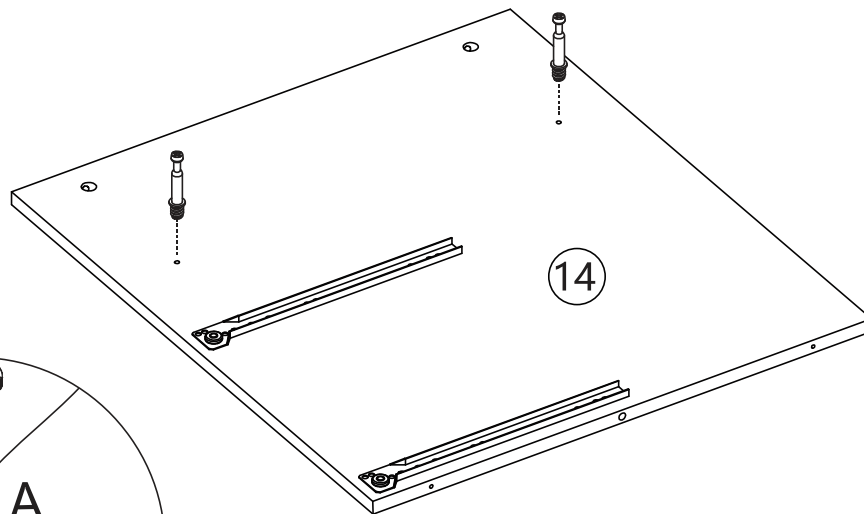
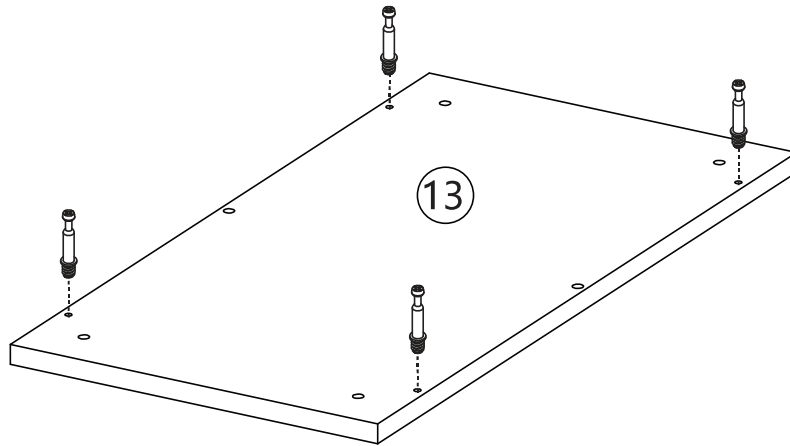
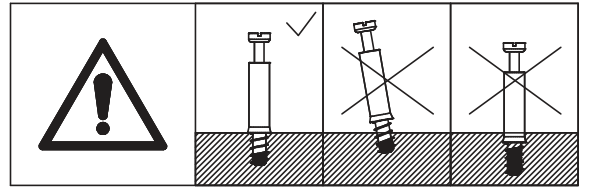
Fix slide rail(CL) and (CR) to part 14 and 15 respectively with screw(F) as shown.



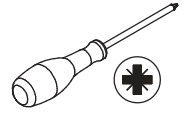
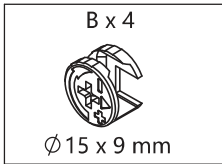
2



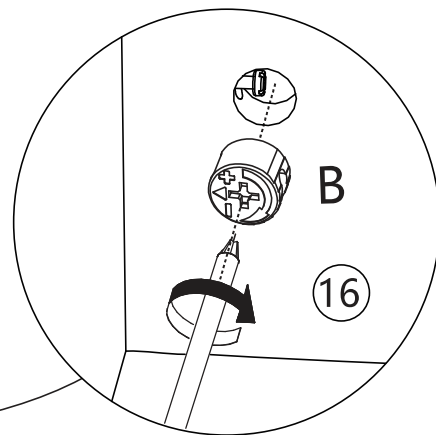
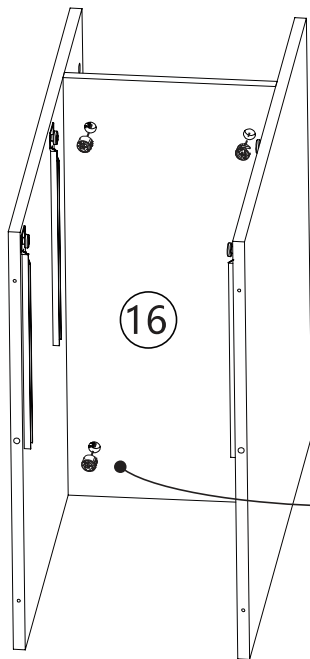
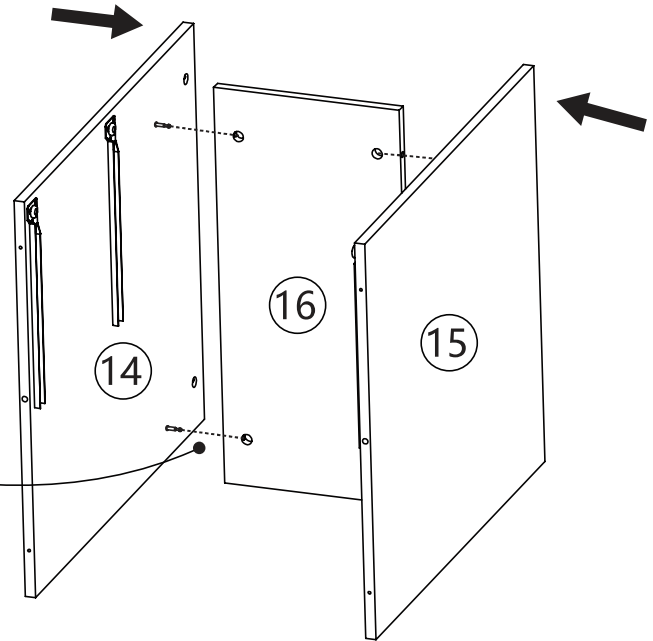
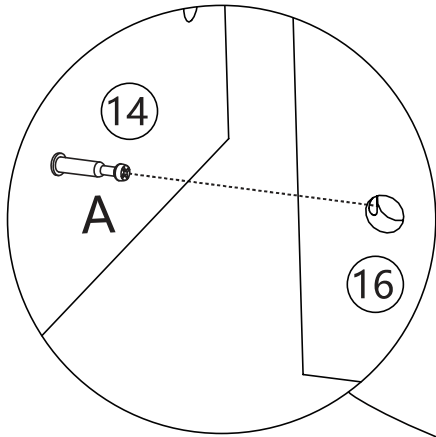
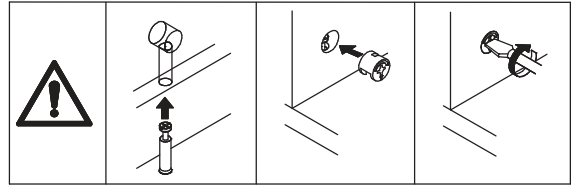
Insert quickfit screw(A) into corresponding holes in part 13, 14 and 15 with a screwdriver as shown.



3



Attach part 14 and 15 to part 16, put cam lock(B) into part 16 and turn clockwise to tighten as shown.

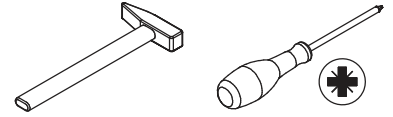


4

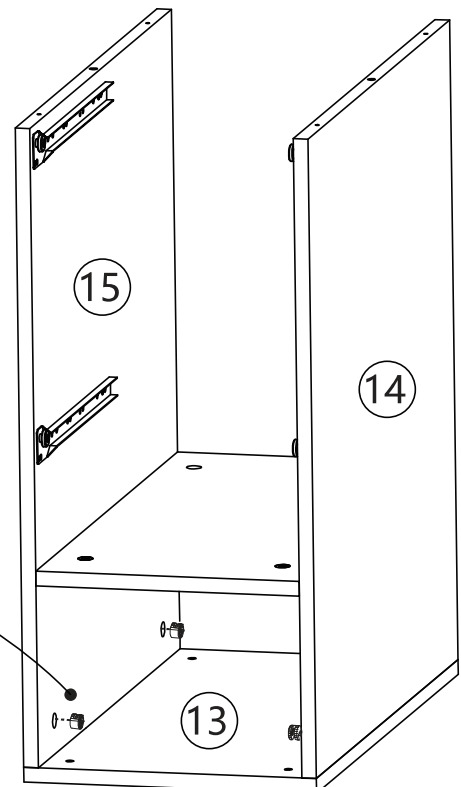
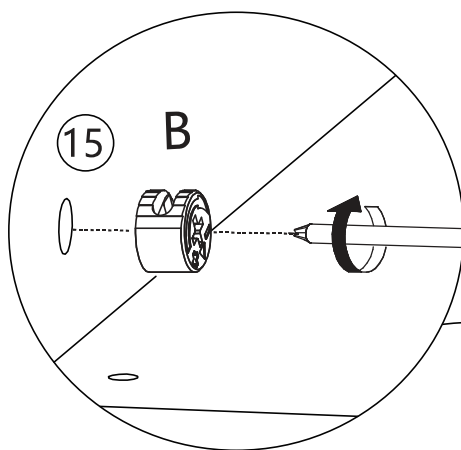
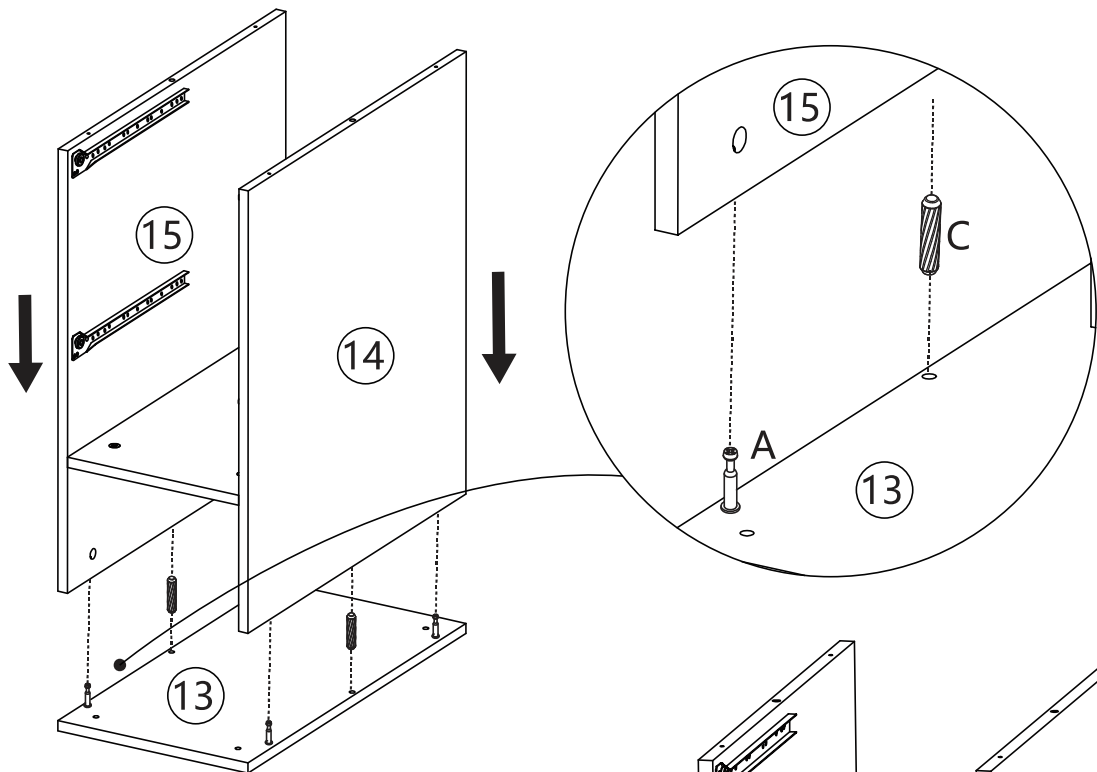
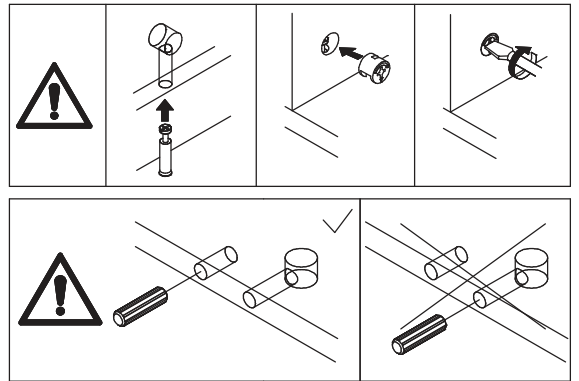
B x 4



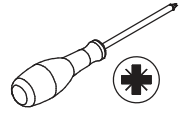
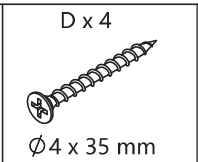
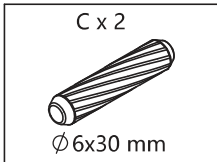
C x 2



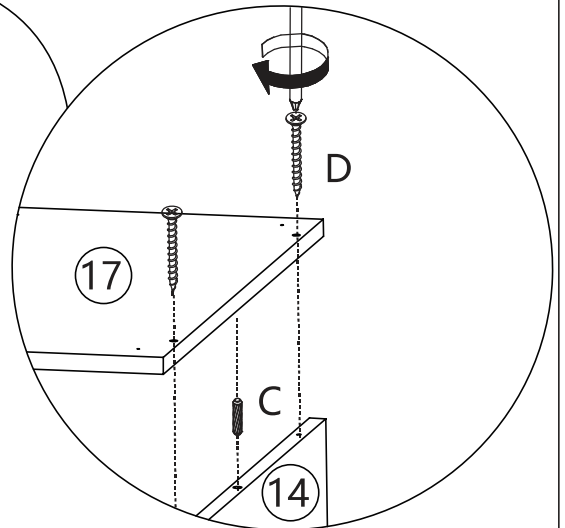
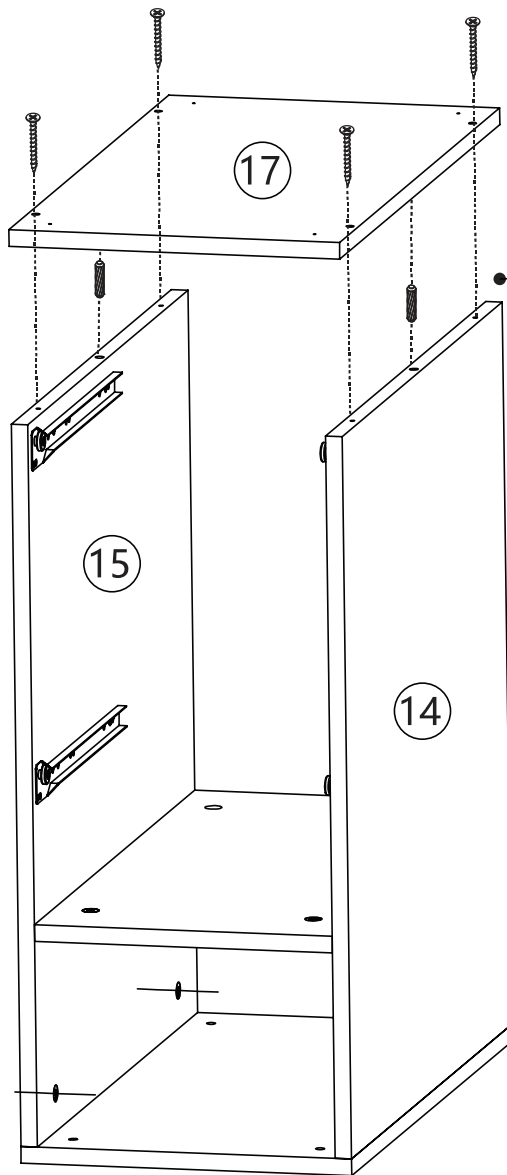
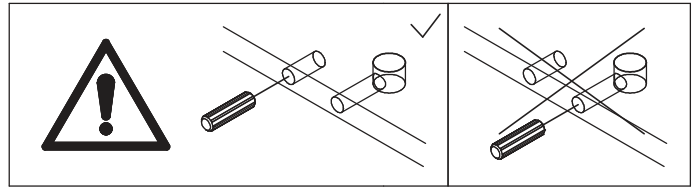
Insert wooden dowels(C) into part 13 at first, attach part 14 and 15 to. Put cam lock(B) into part 14,15 and turn clockwise to tighten as shown.



5



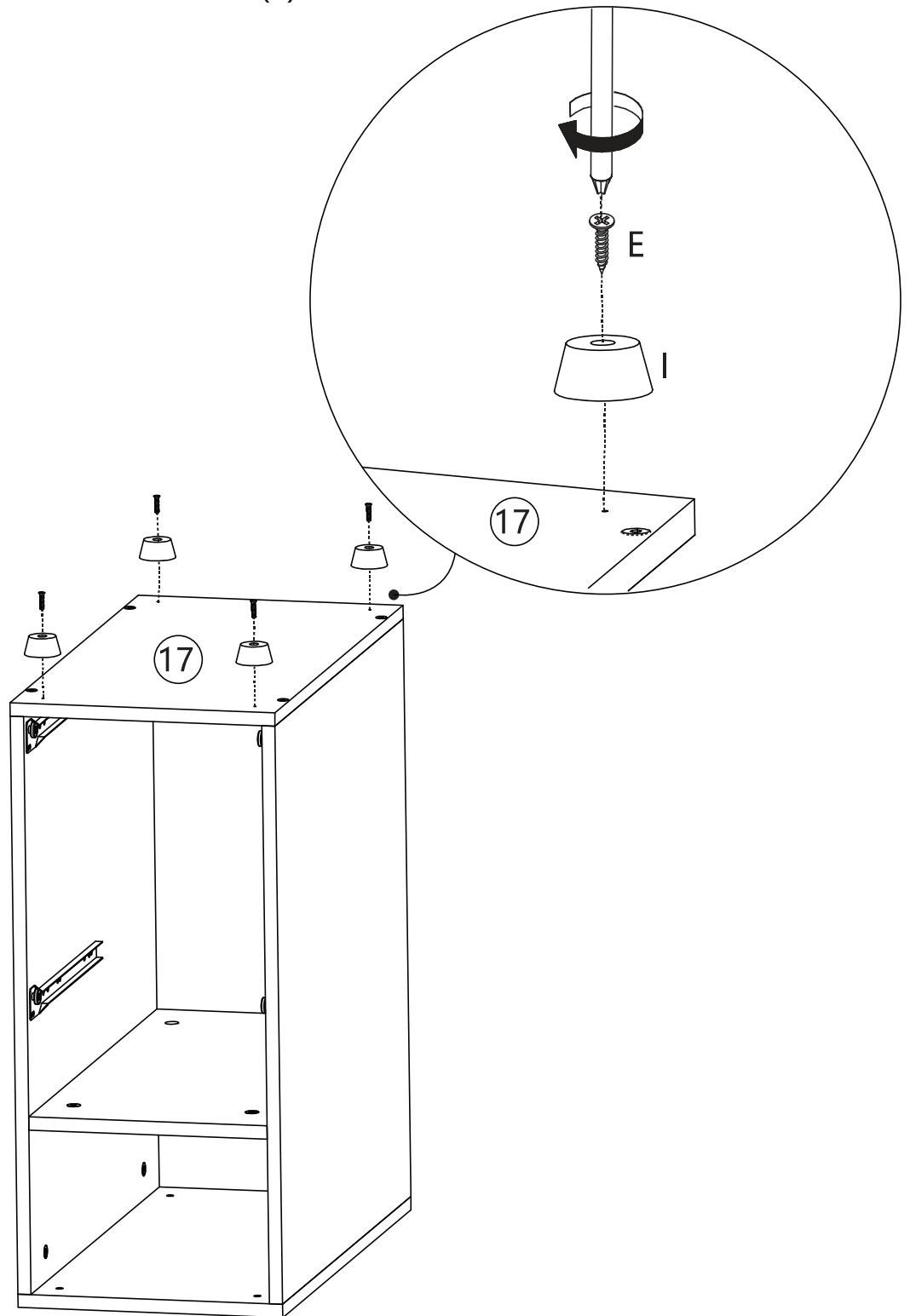
Insert wooden dowel(C) into part 14 and 15 at first, cover part 17 and fix with screw(D) as shown.



6

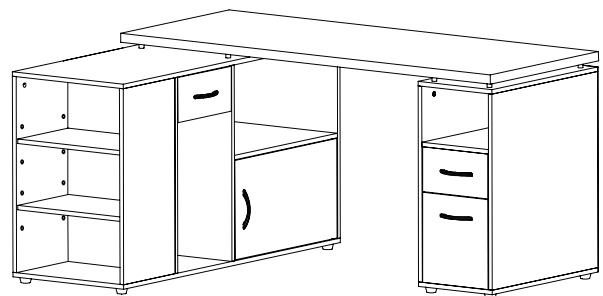
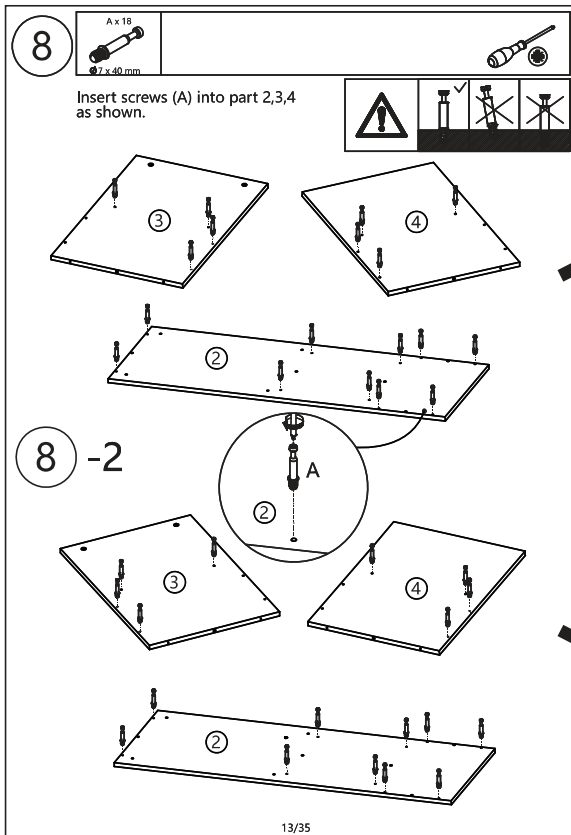


Fix leg(I) to part 17 with screw(E) as shown.

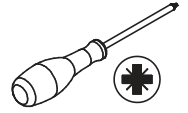
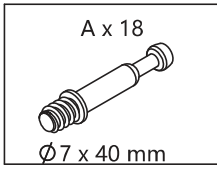


7

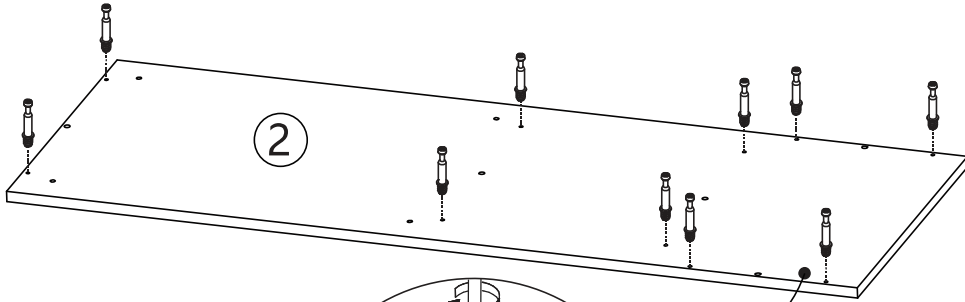
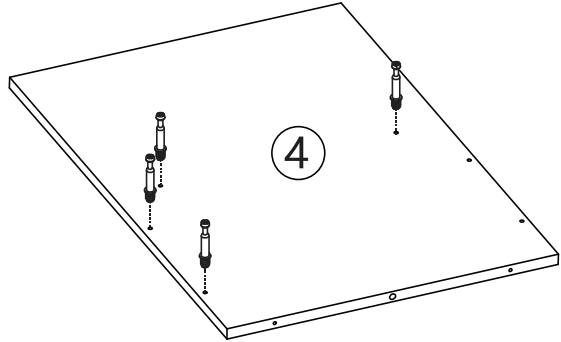
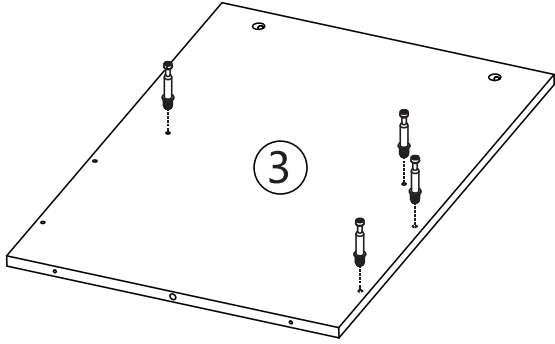
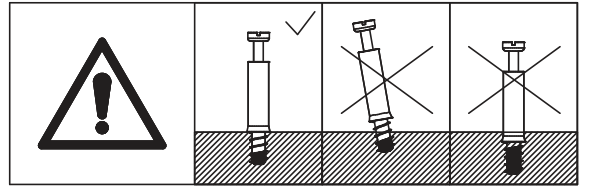
Choose different installation methods and get different styles of desk.



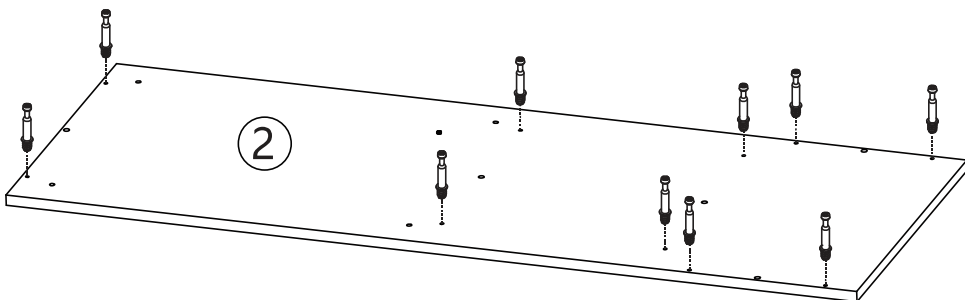
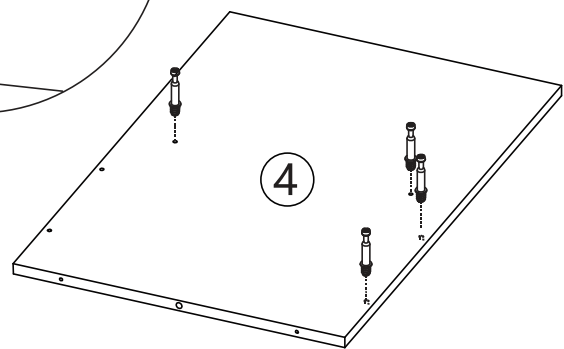
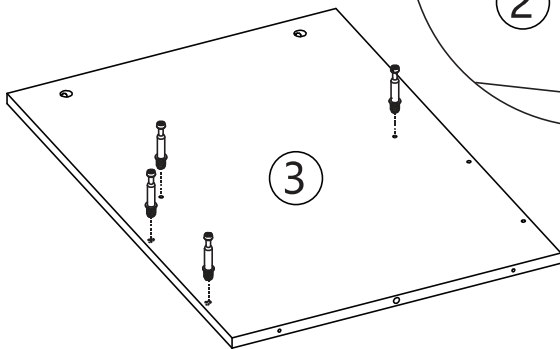
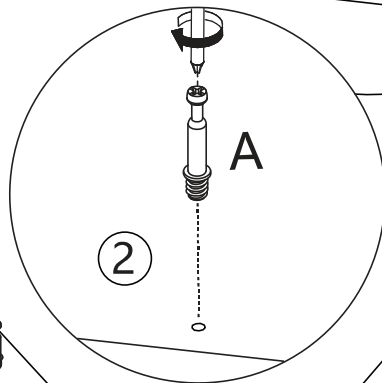
8



Insert quickfit screw(A) into part 2, 3 and 4 as shown.

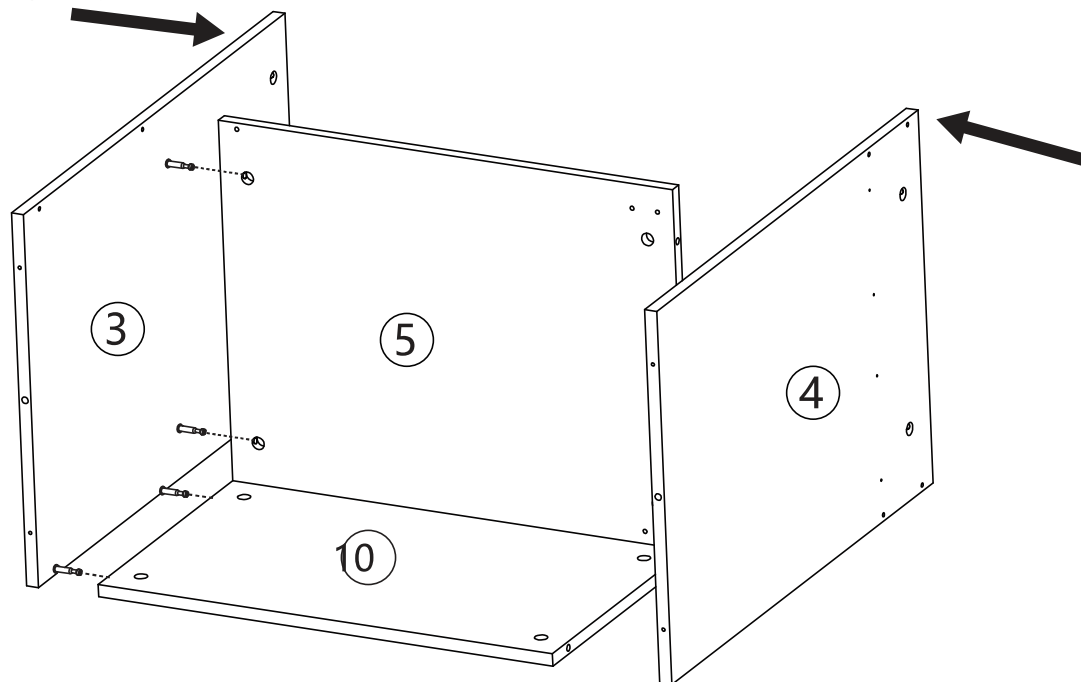


8 -2

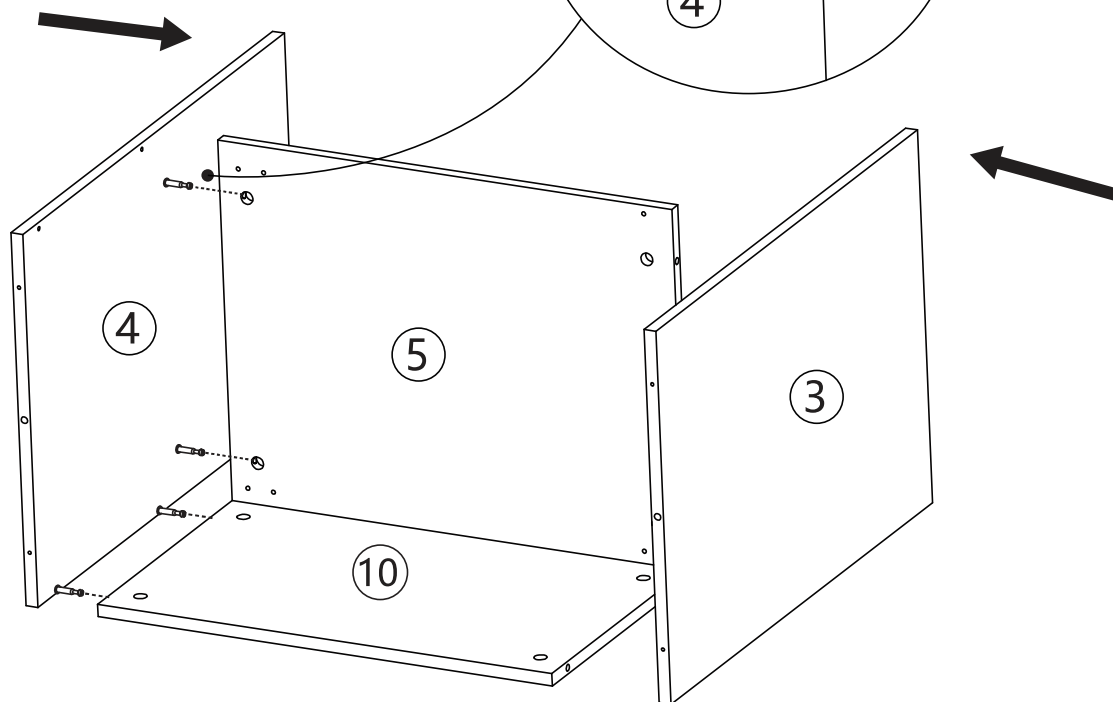
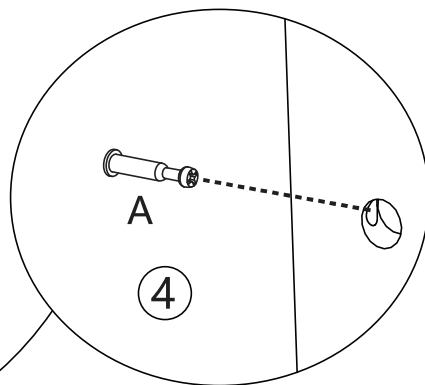


9

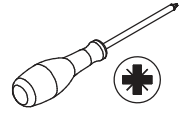
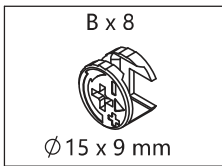
Attach part 3 and 4 to part 5 and 10 as shown.



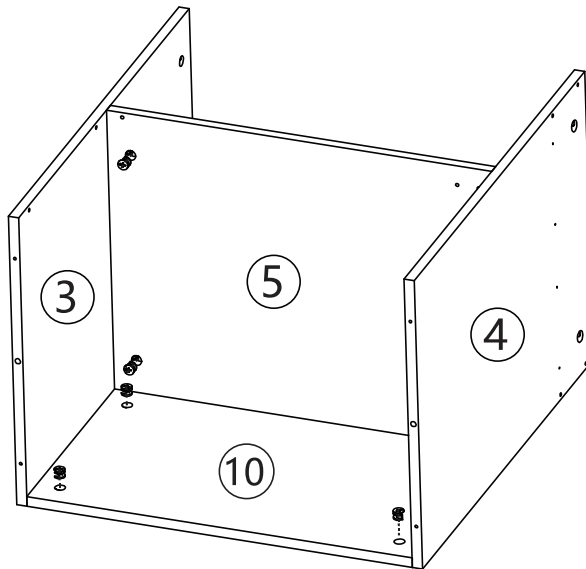
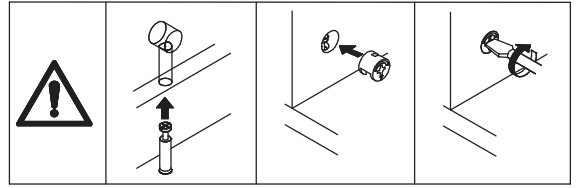
9 -2



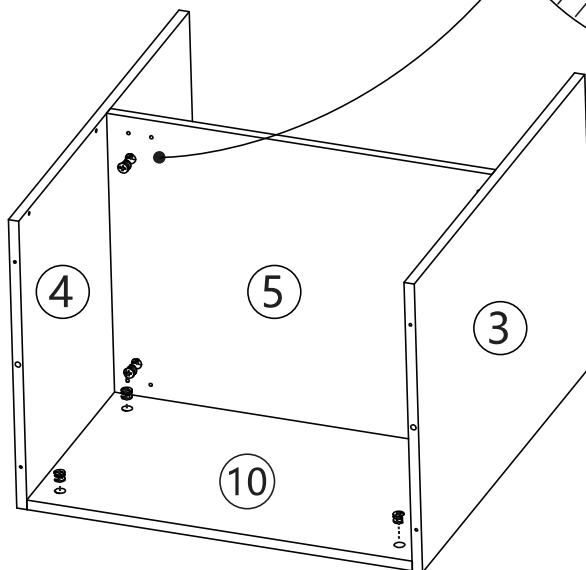
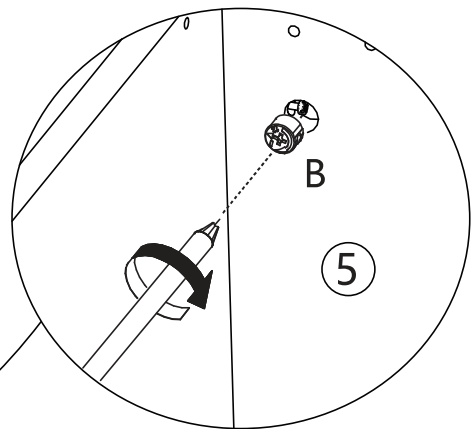
10



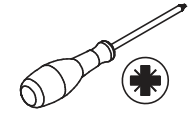
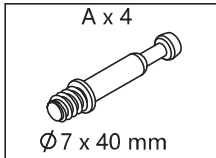
Put cam lock(B) into part 5,10 and turn clockwise to tighten as shown.



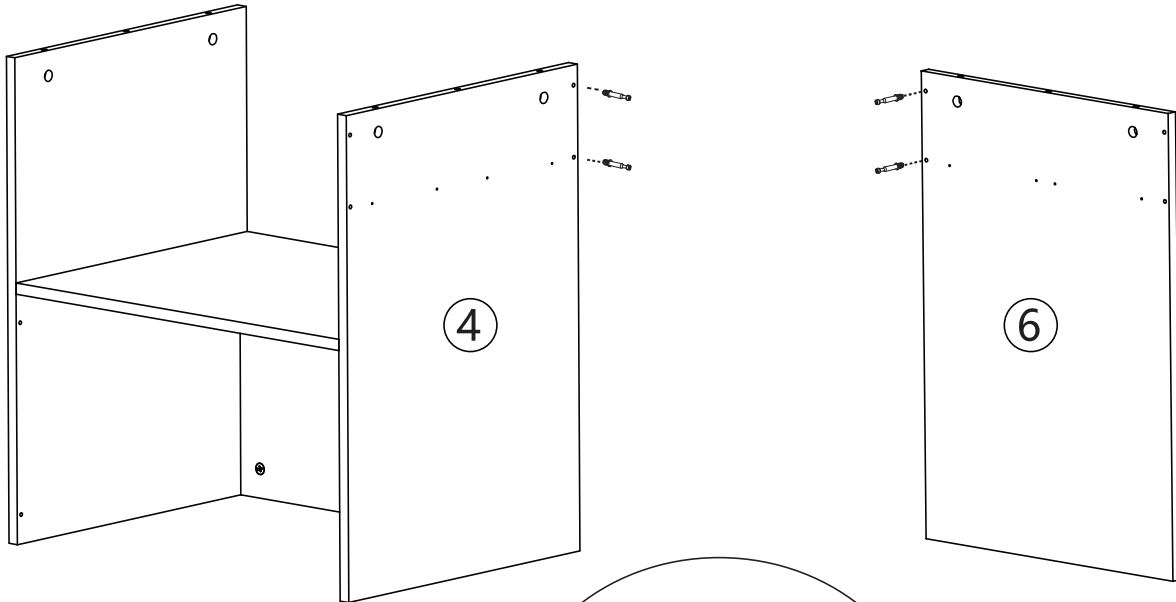
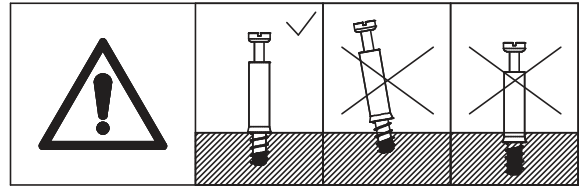
10 -2



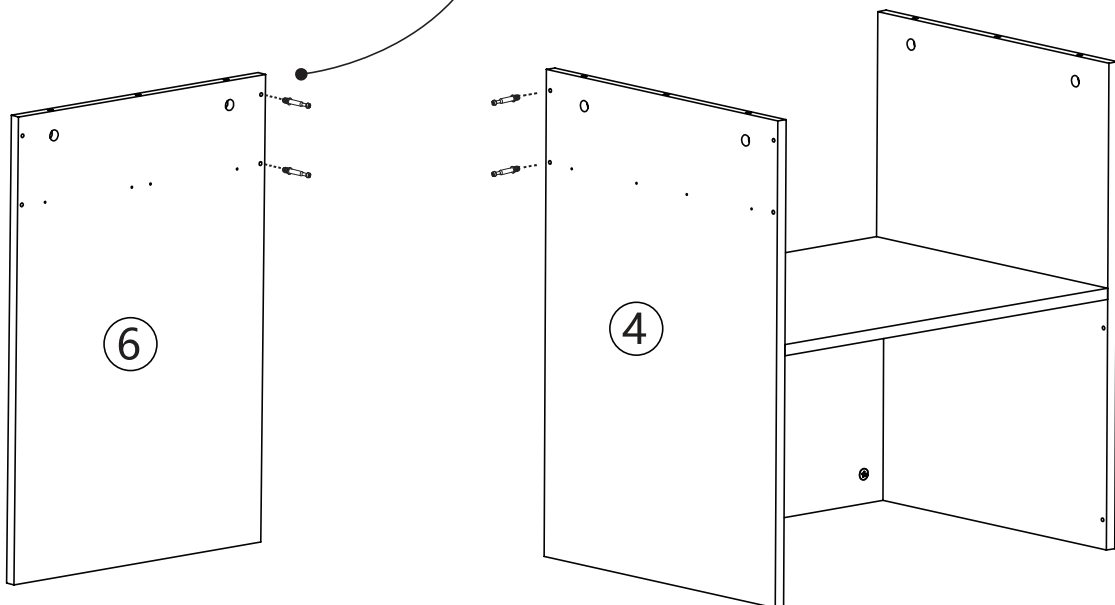
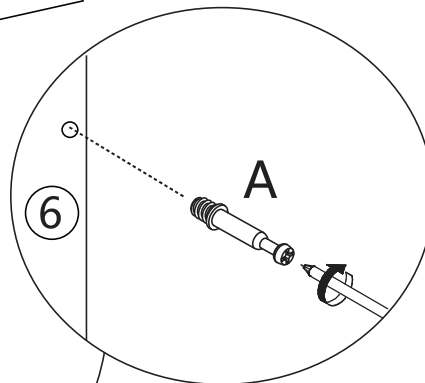
11



Insert quickfit screw(A) into part 4 and 6 as shown.

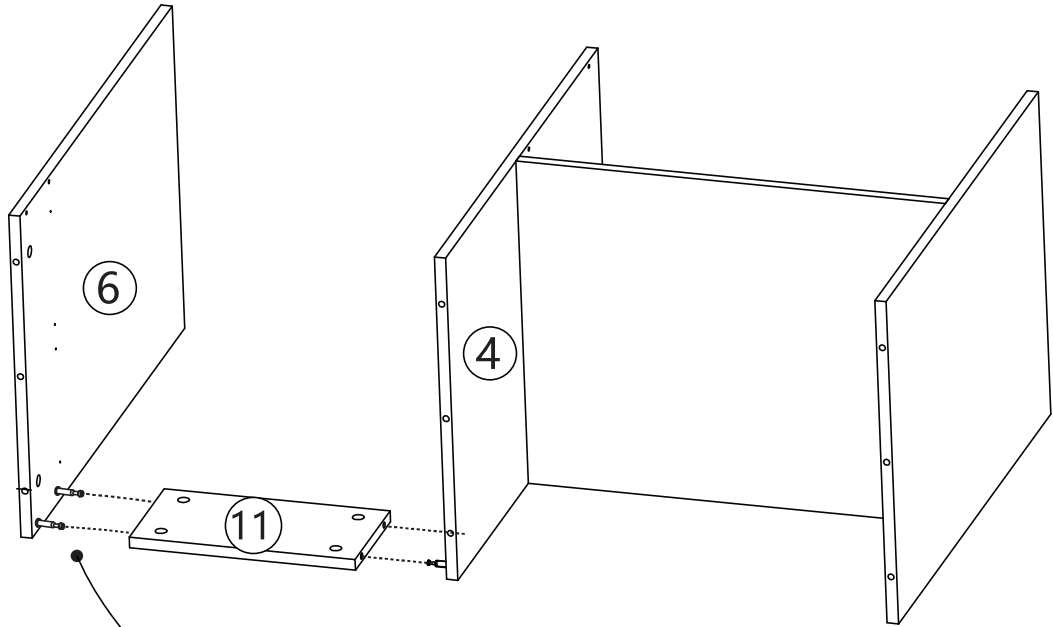


11-2

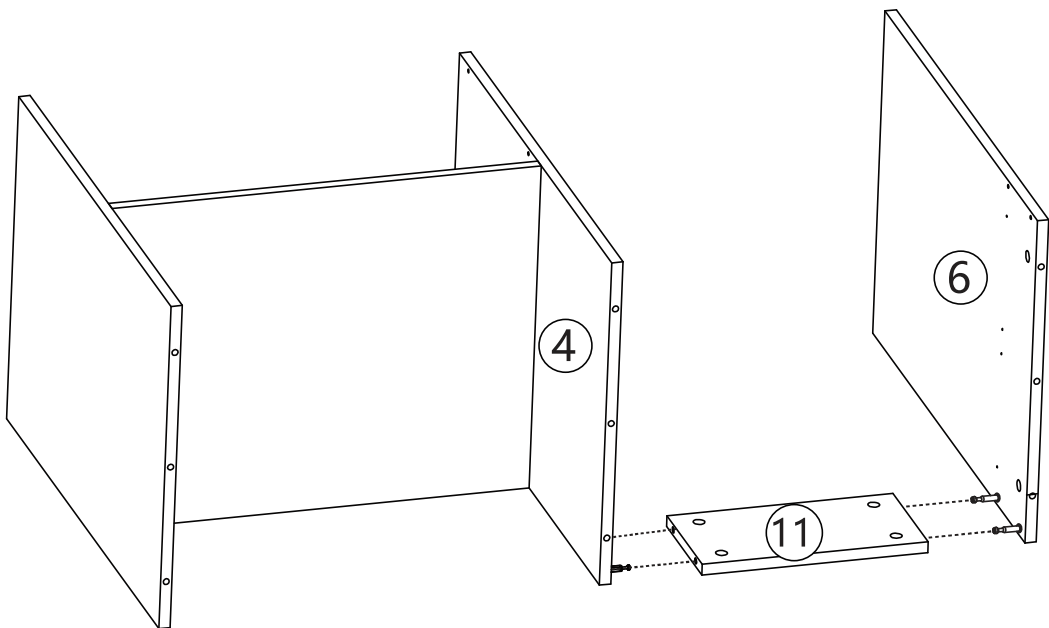
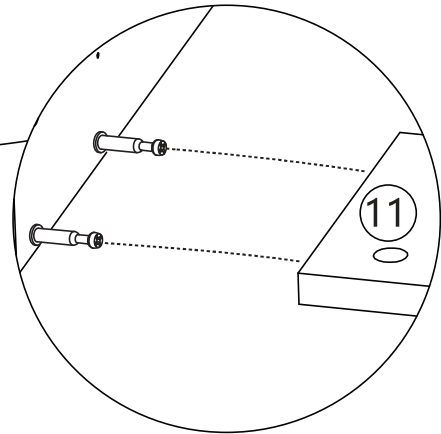


12

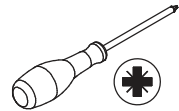
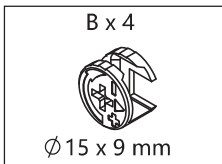
Attach part 6 and 11 to part 4 as shown.



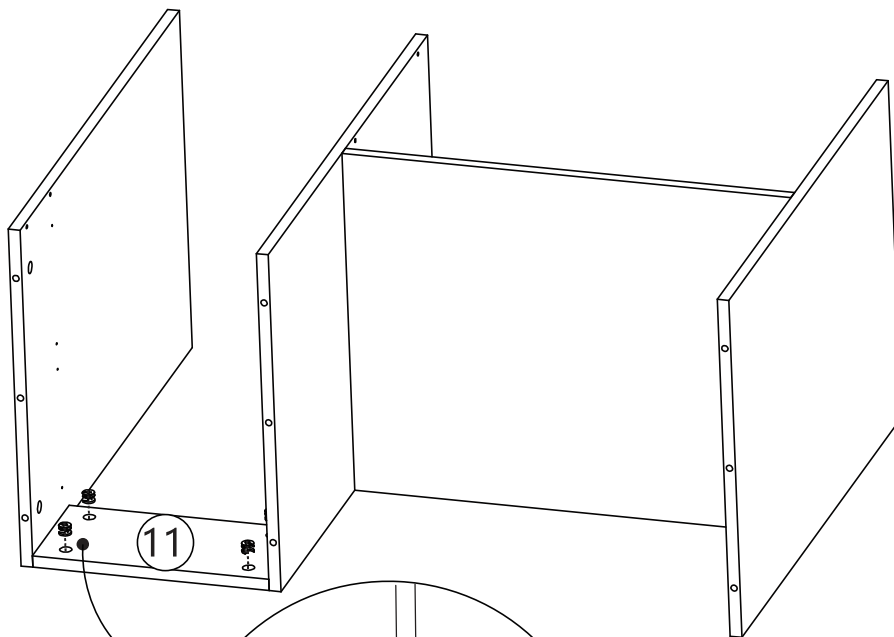
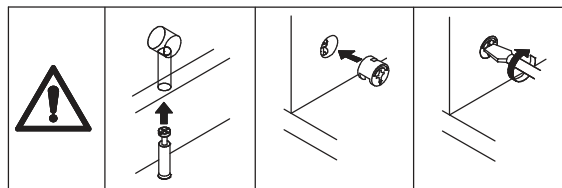
12 -2



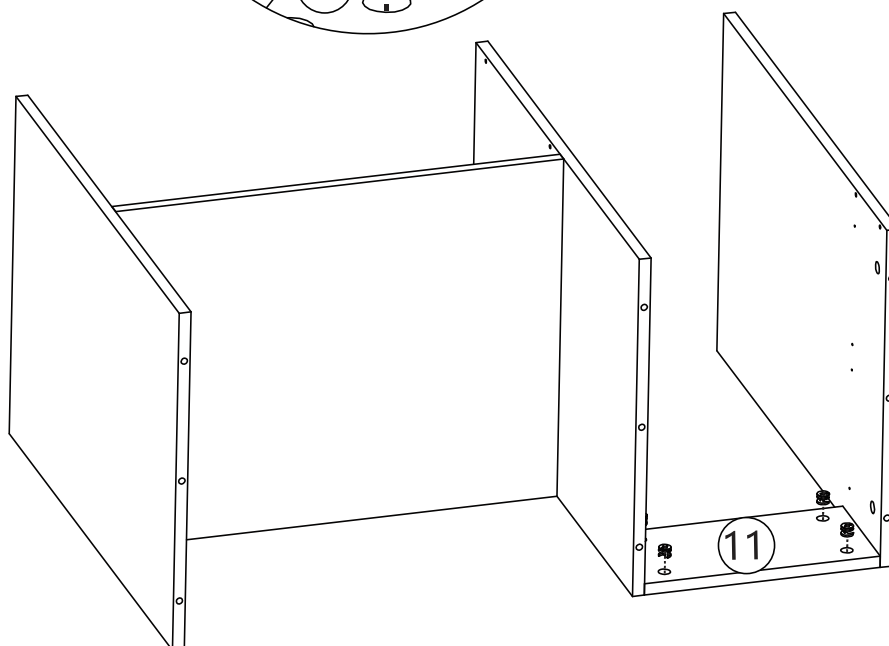
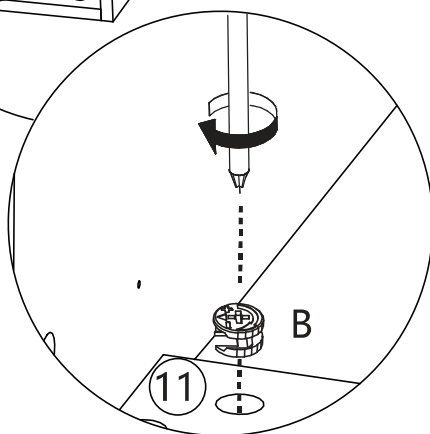
13



Put cam lock(B) into part 11 and turn clockwise to tighten as shown.



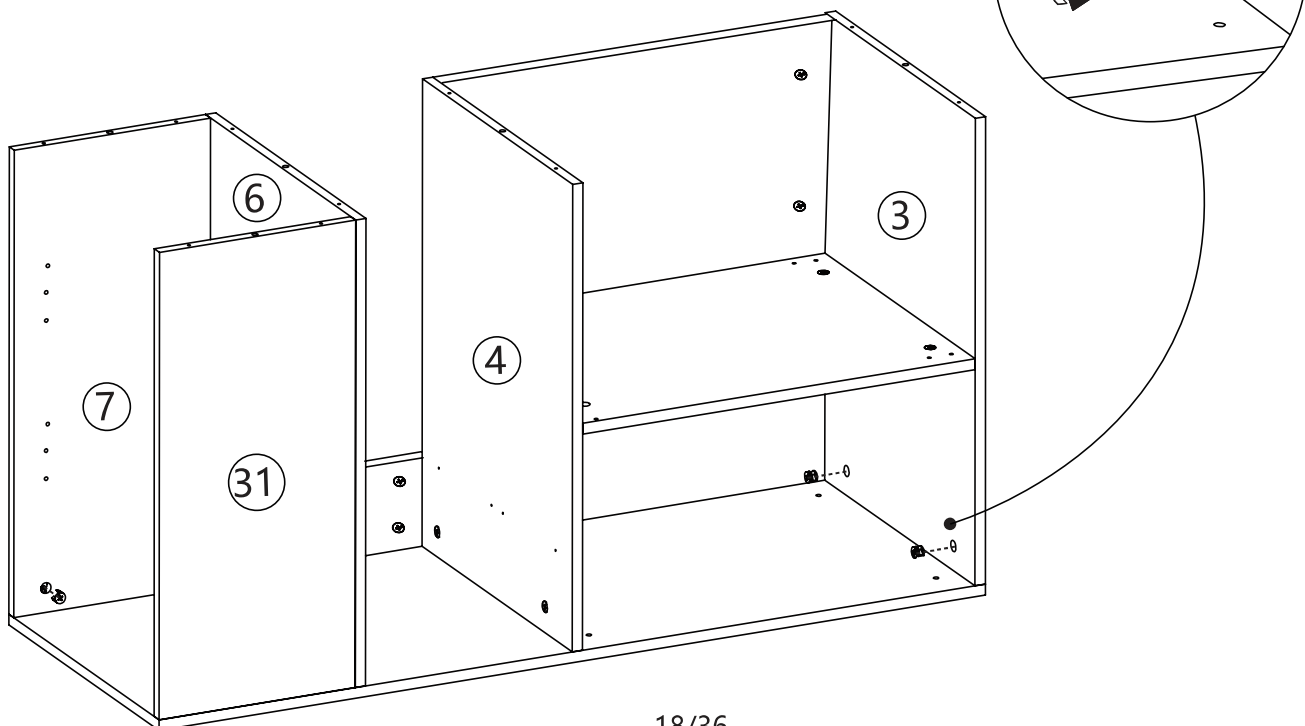
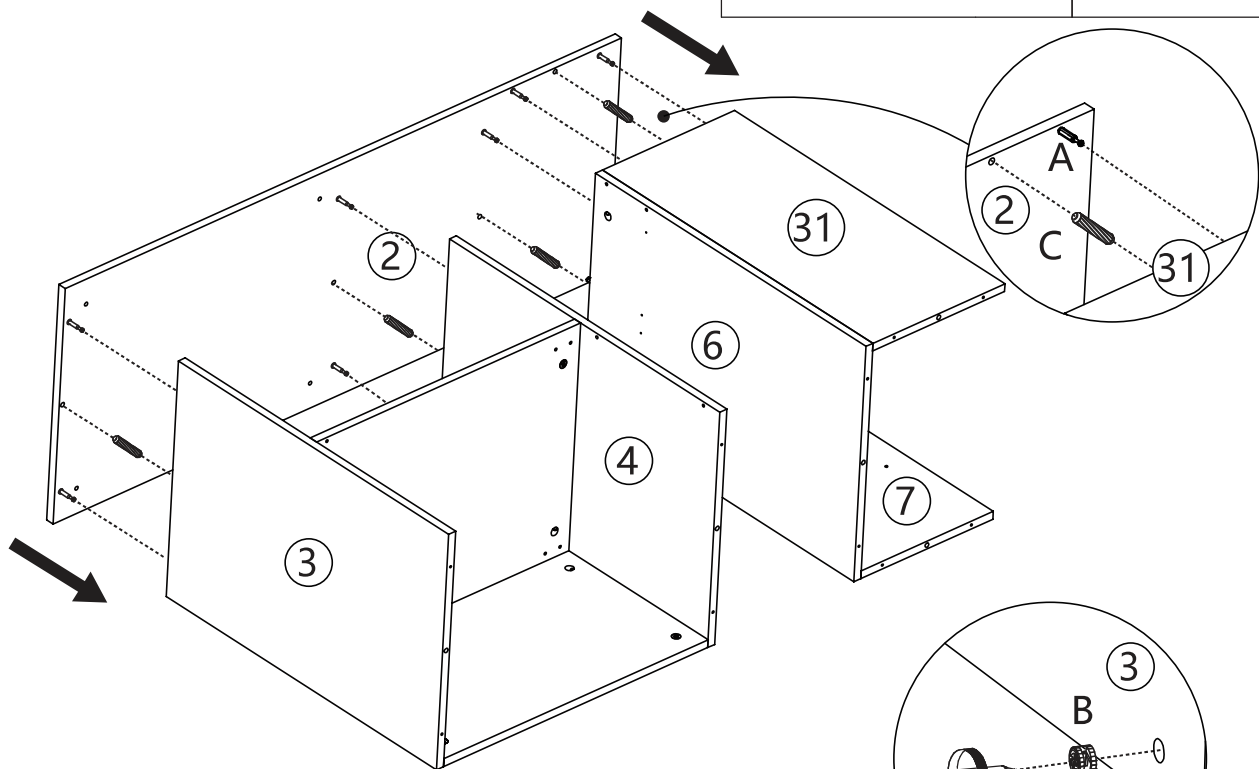
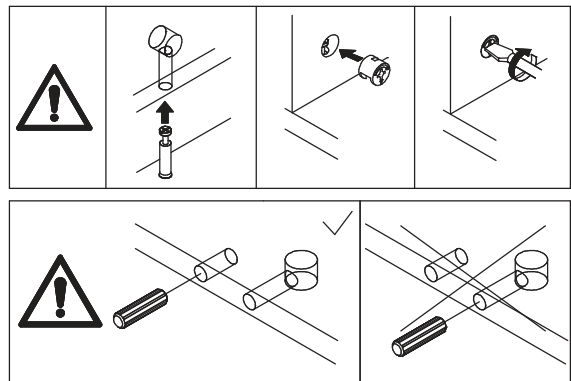
13 -2



14



Insert wooden dowel(C) into part 3, 4, 6, 7 and 31 at first, cover part 2. Put cam lock(B) into part 3,4,6,7,31 and turn clockwise to tighten as shown.

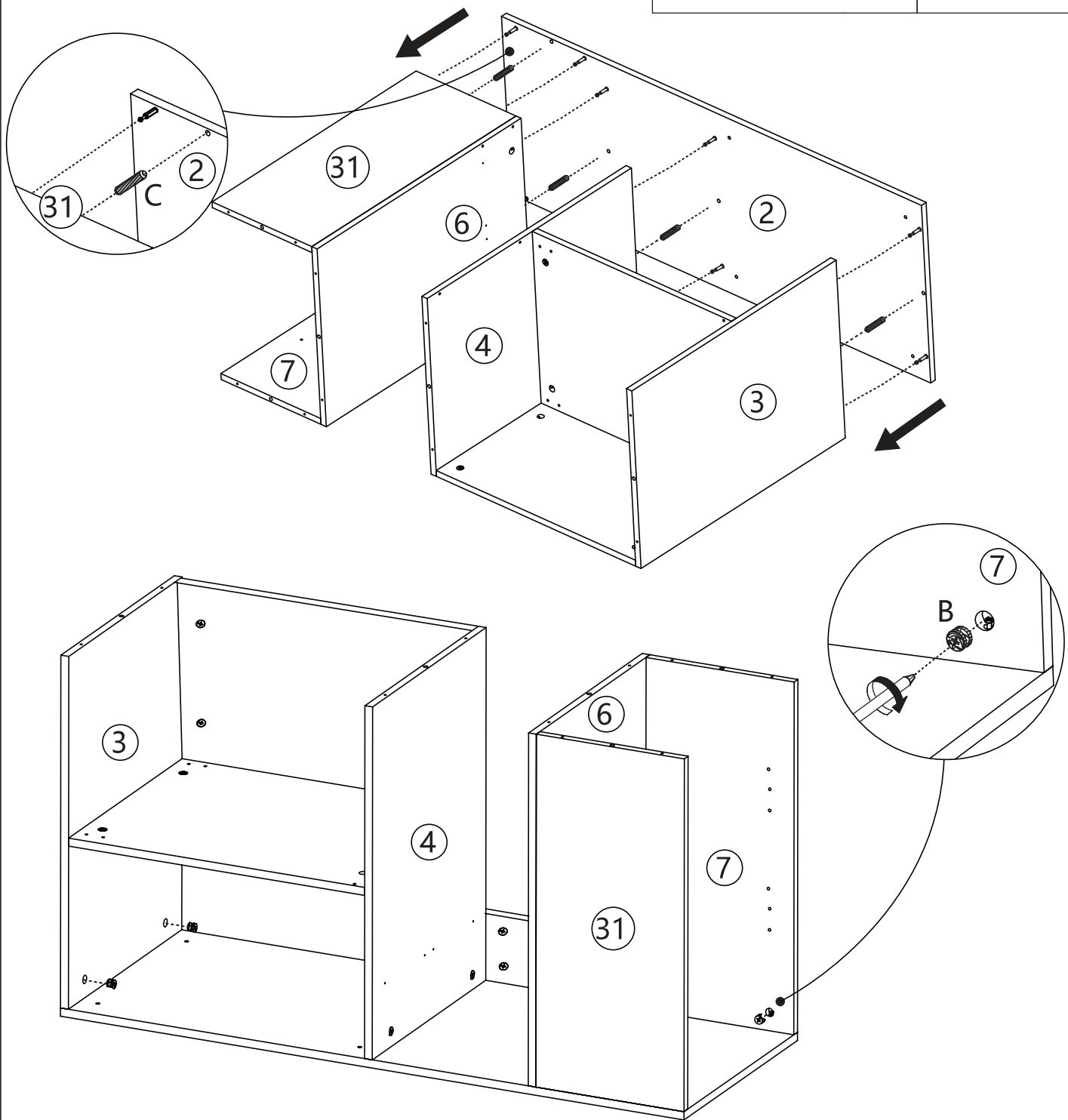
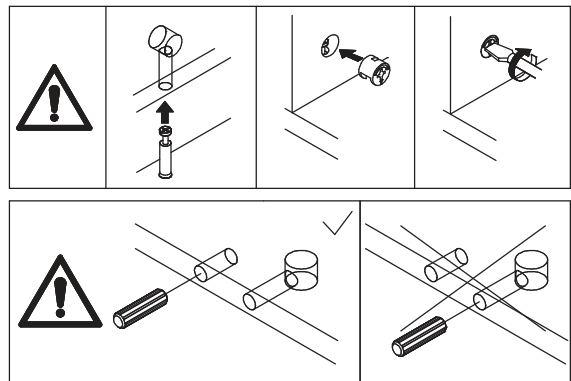


14

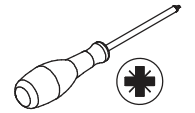
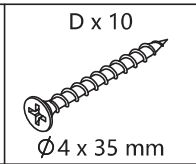
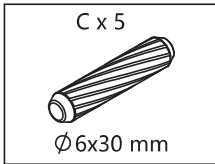


-2

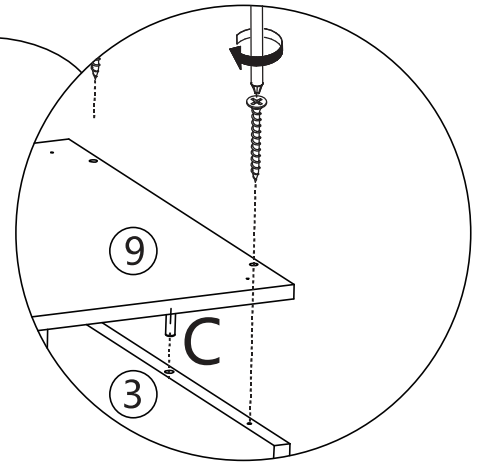
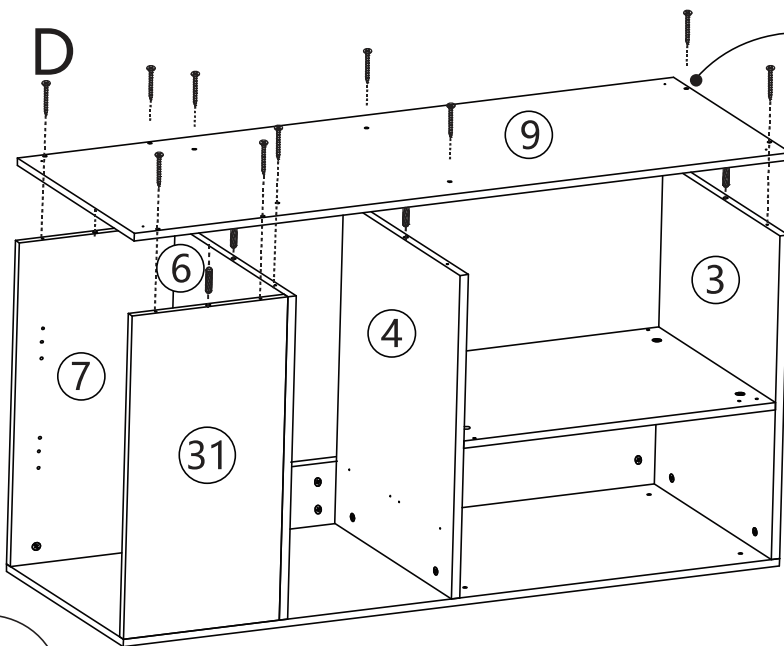
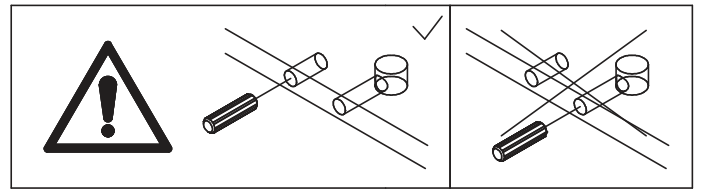
Insert wooden dowel(C) into part 3, 4, 6, 7 and 31 at first, cover part 2. Put cam lock(B) into part 3,4,6,7,31 and turn clockwise to tighten as shown.



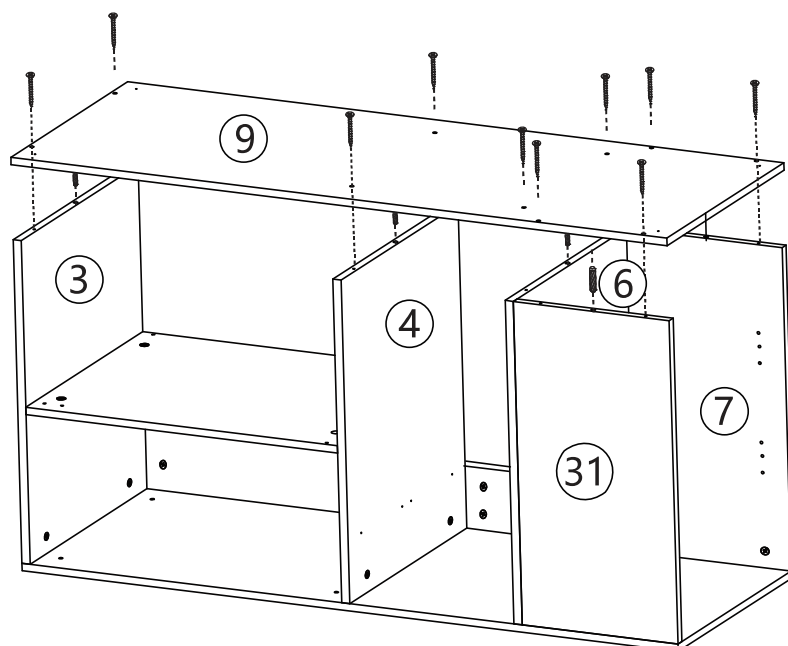
15



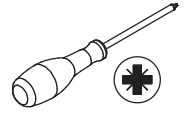
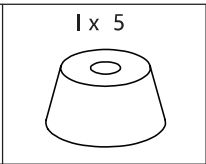
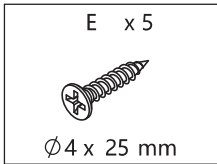
Insert wooden dowel(C) into part 3, 4, 6, 7 and 31 at first, cover part 9 and fix with screw(D) as shown.



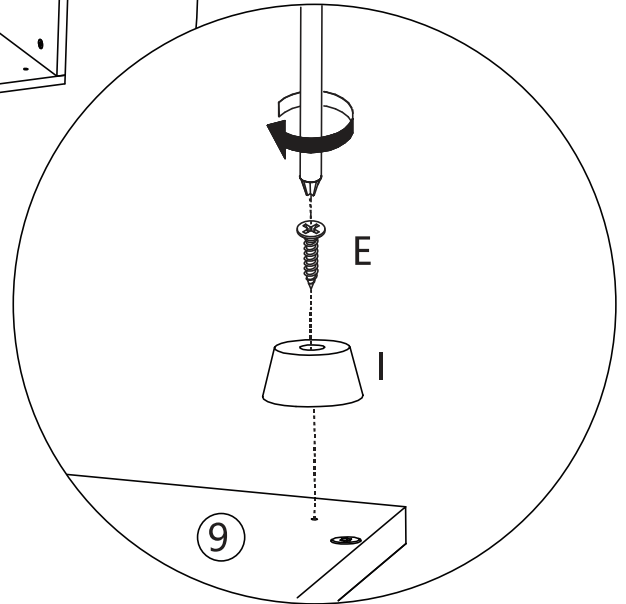
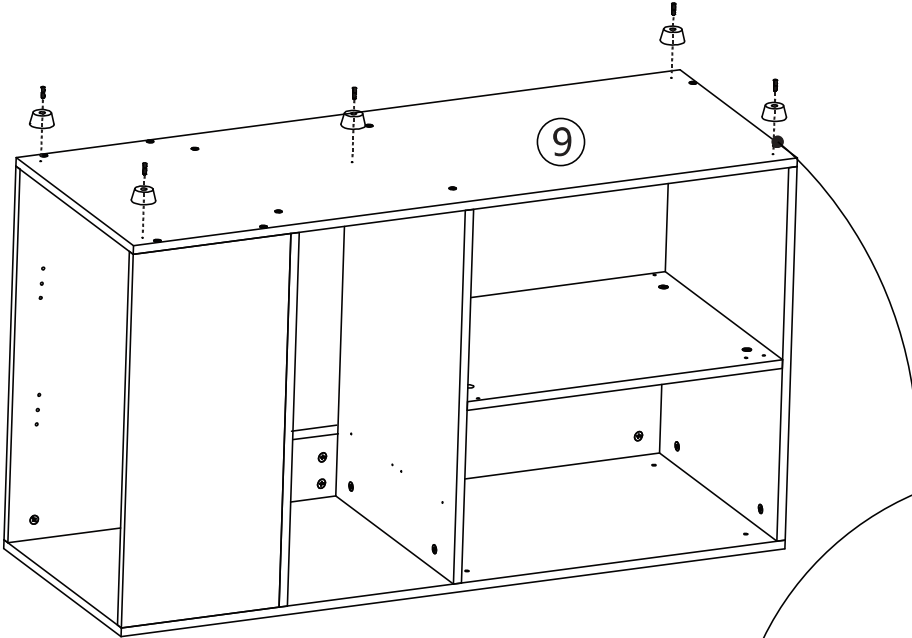
15 -2



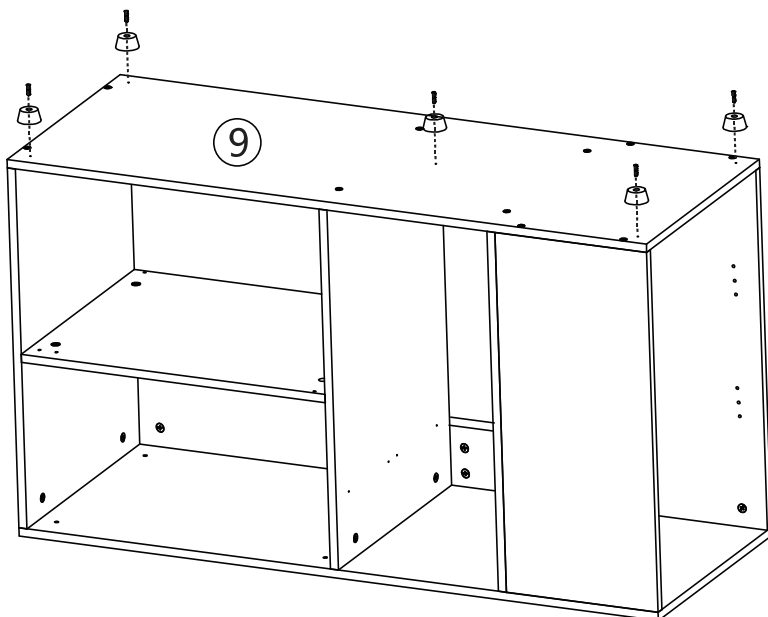
16



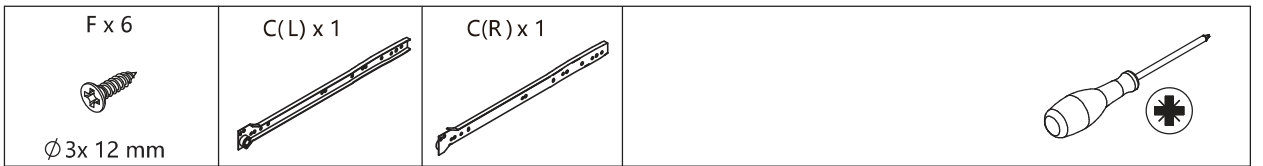
Fix leg(I) to part 9 with screw(E) as shown.



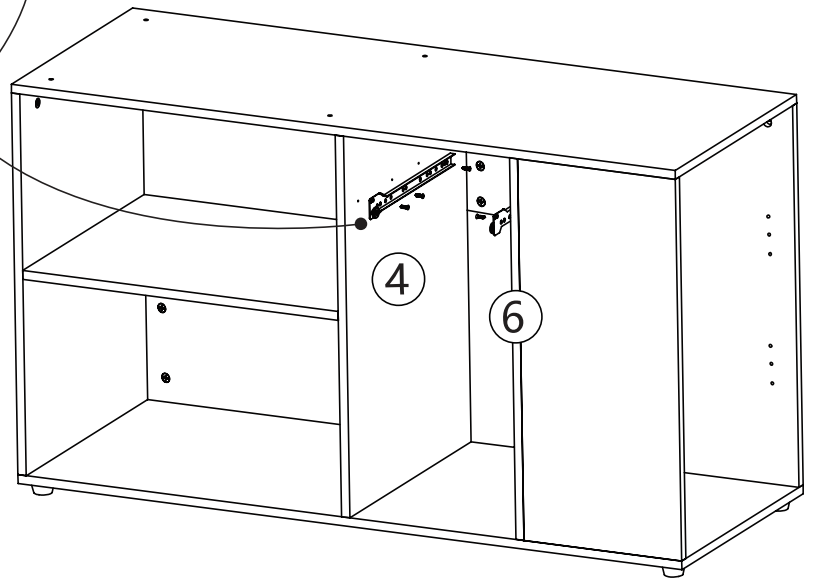
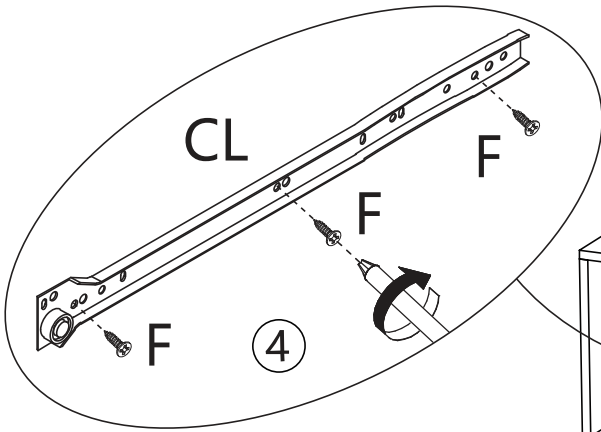
16 -2



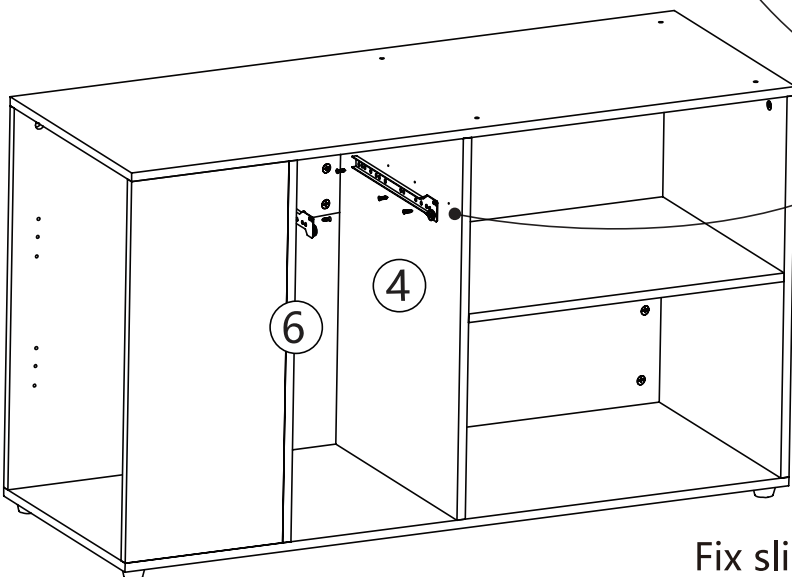
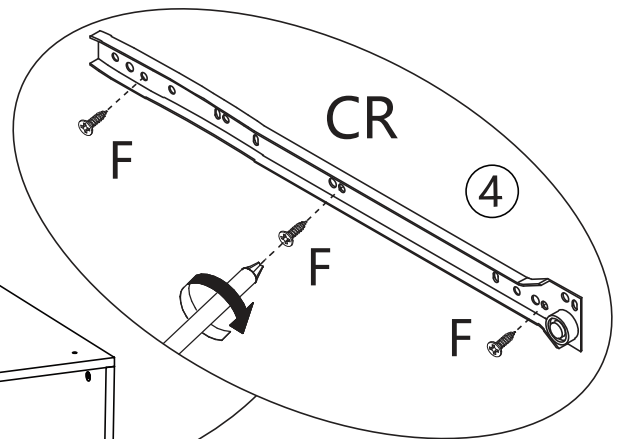
17



Fix slide rail(CL) and (CR) to part 4 and 6 with screw(F) as shown.



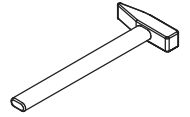
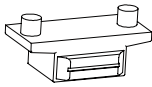
17 -2



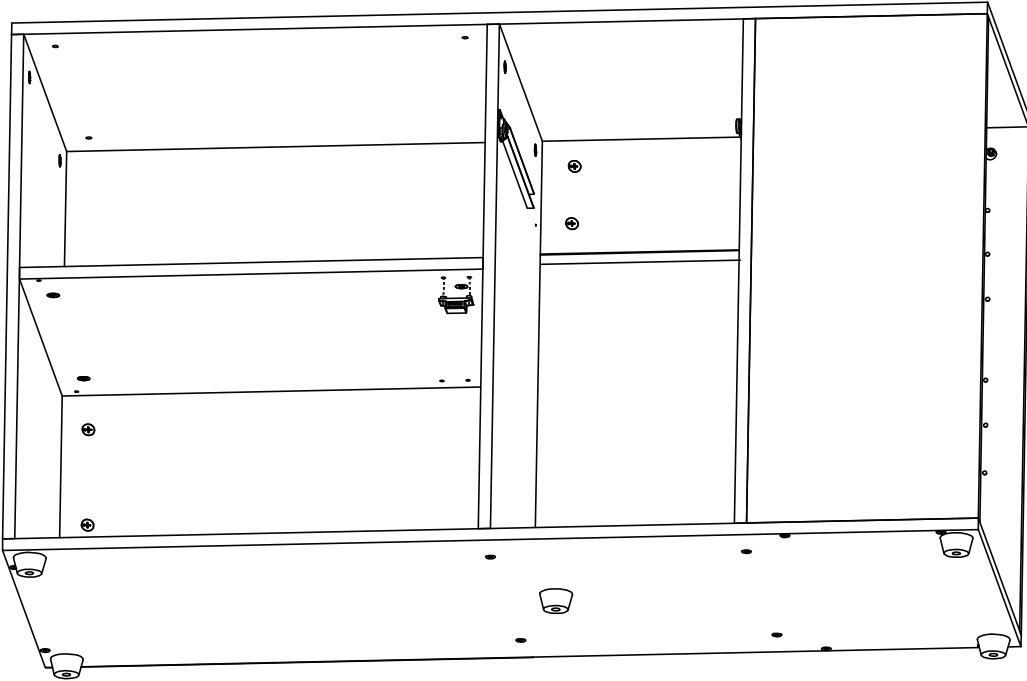
Fix slide rail(CL) and (CR) to part 6 and with screw(F) as shown.

18

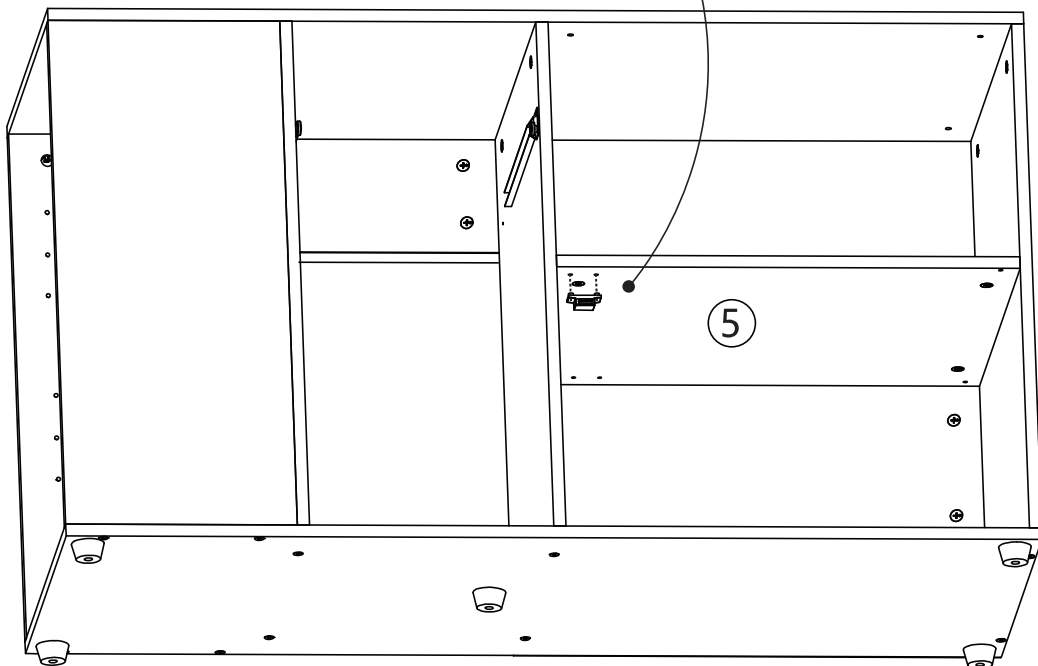
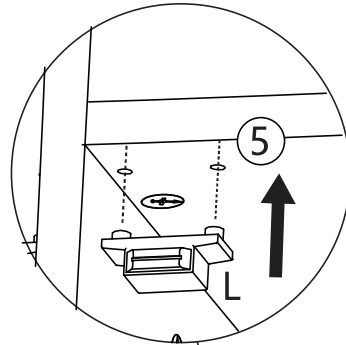
L X 1



Attach part(L) into part 5 as shown.



18 -2

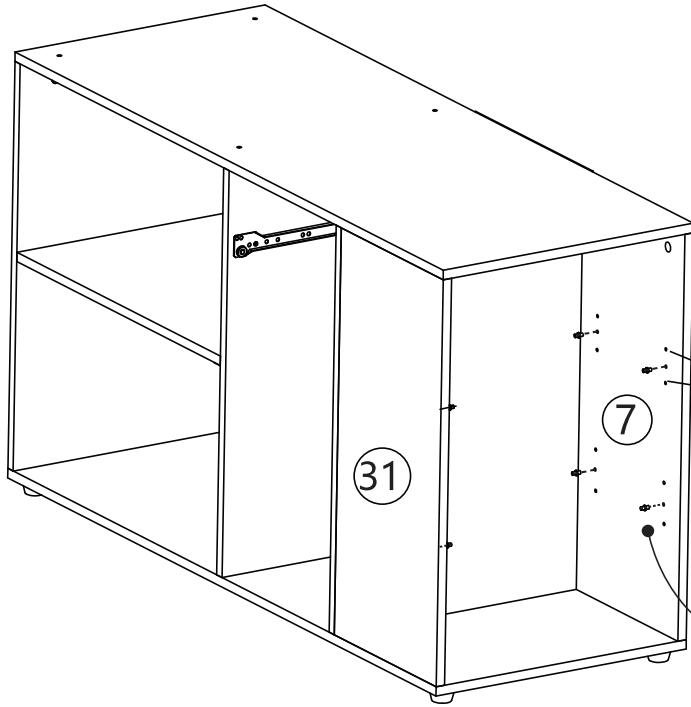


19

N x 8

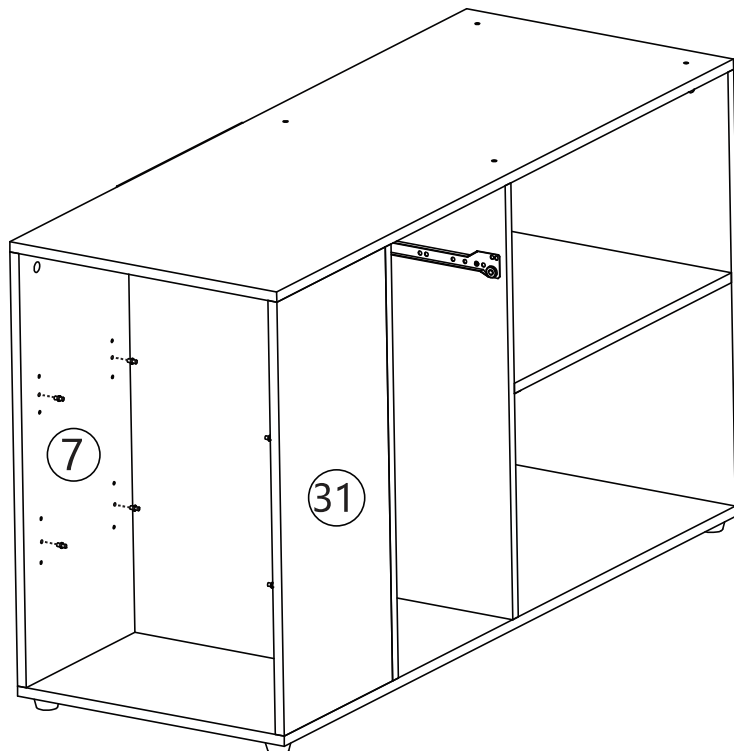
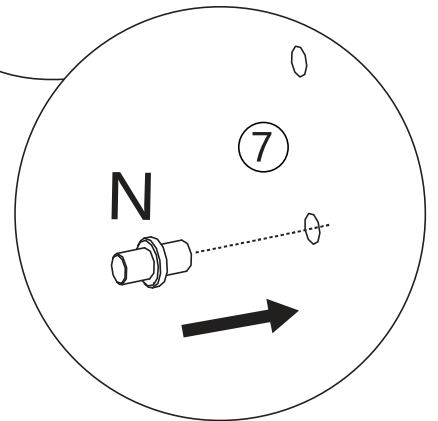


Insert part(N) into part 7 and 31 as shown.


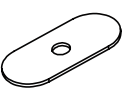
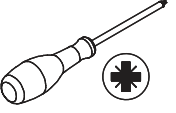


Different level to insert (N).

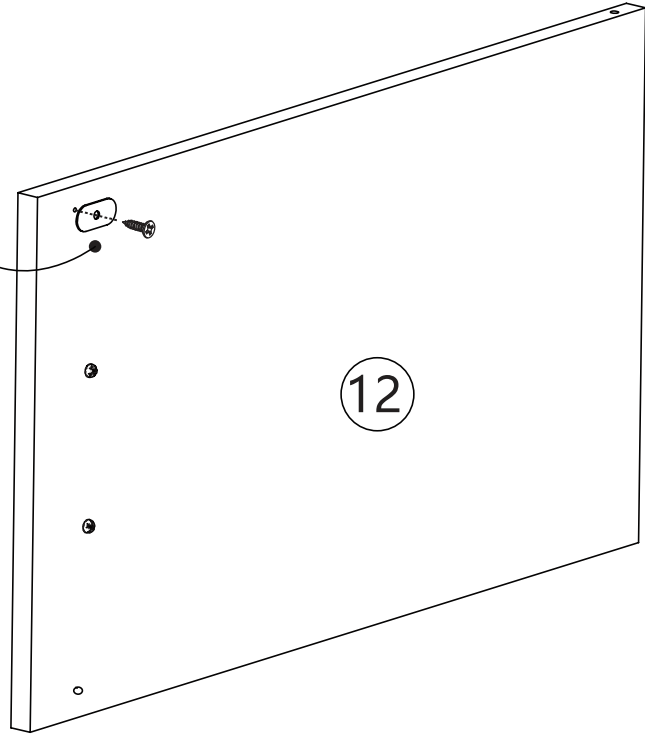
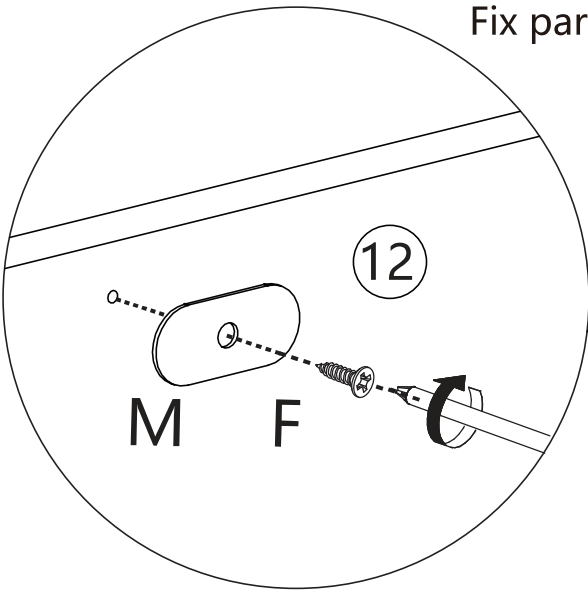
19 -2



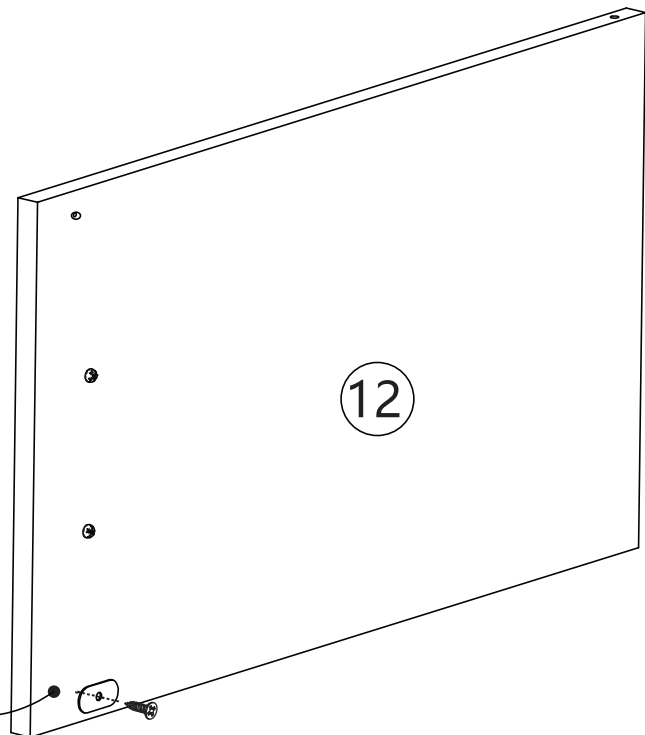
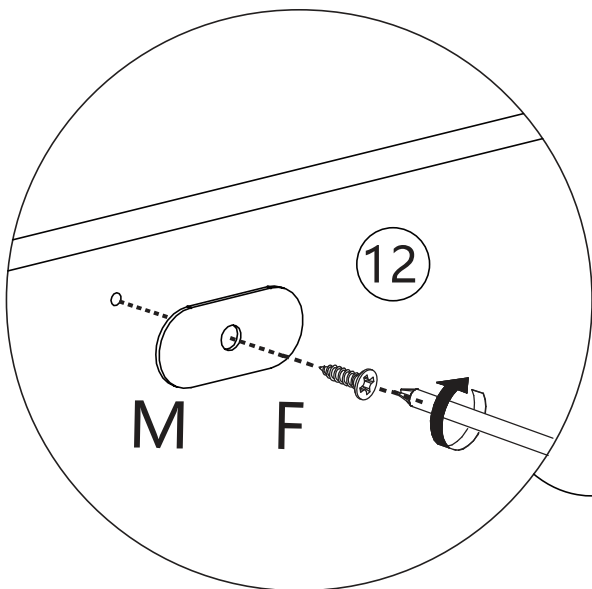
20

F x 1  Ø3 x 12 mm	M x 1 	
--	--	---

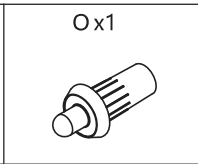
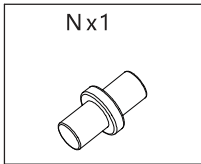
Fix part(M) to part 12 with screw(F) as shown.



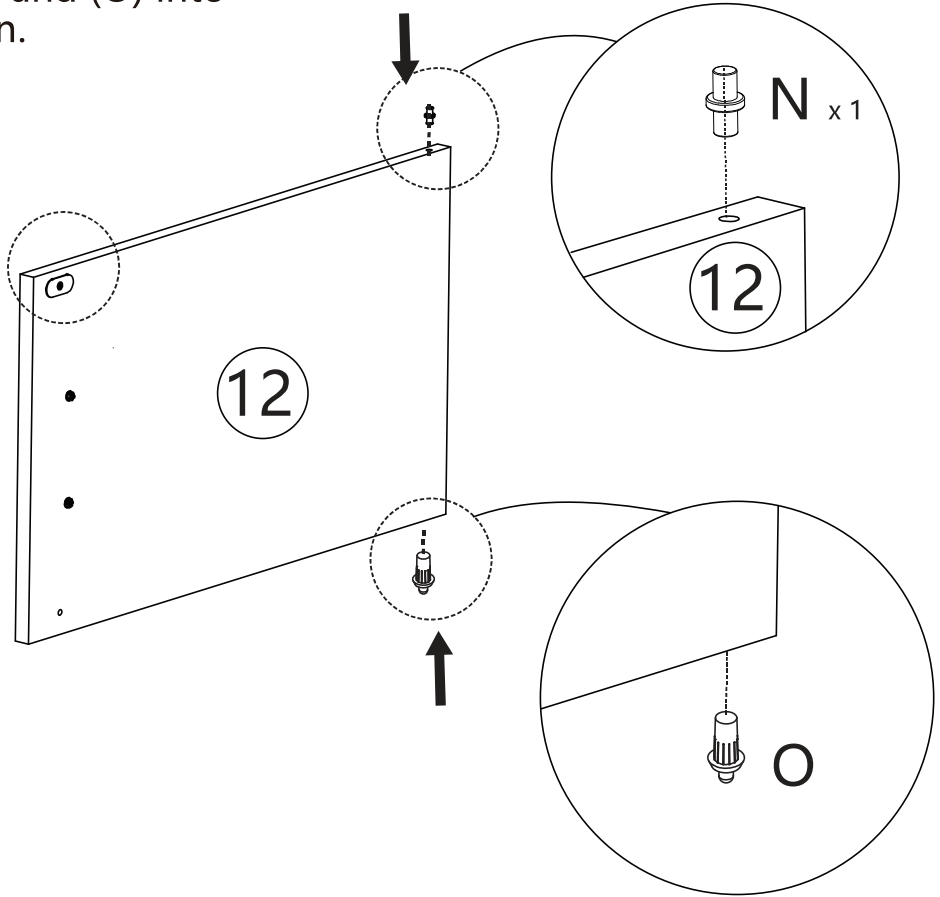
20-2



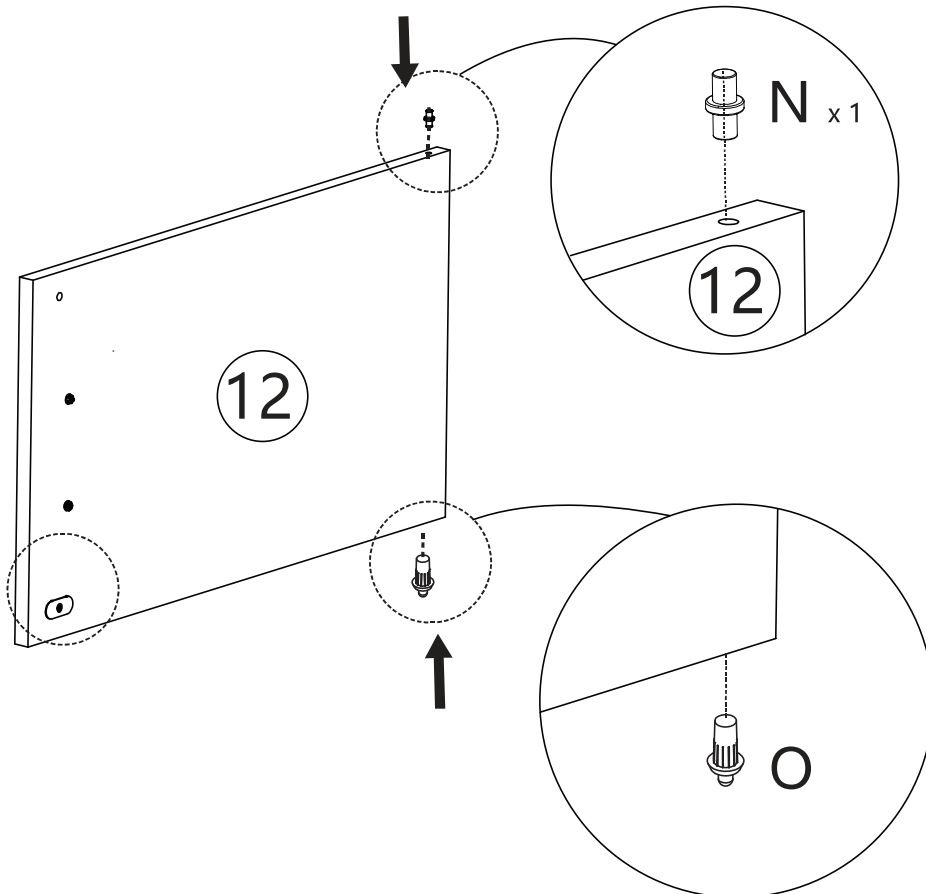
21



Insert spindle(N) and (O) into part 12 as shown.



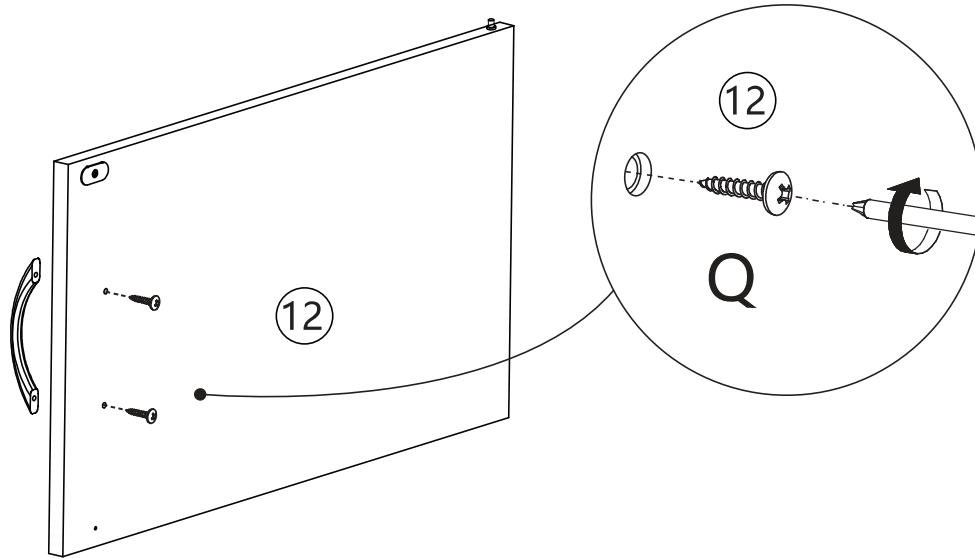
21-2



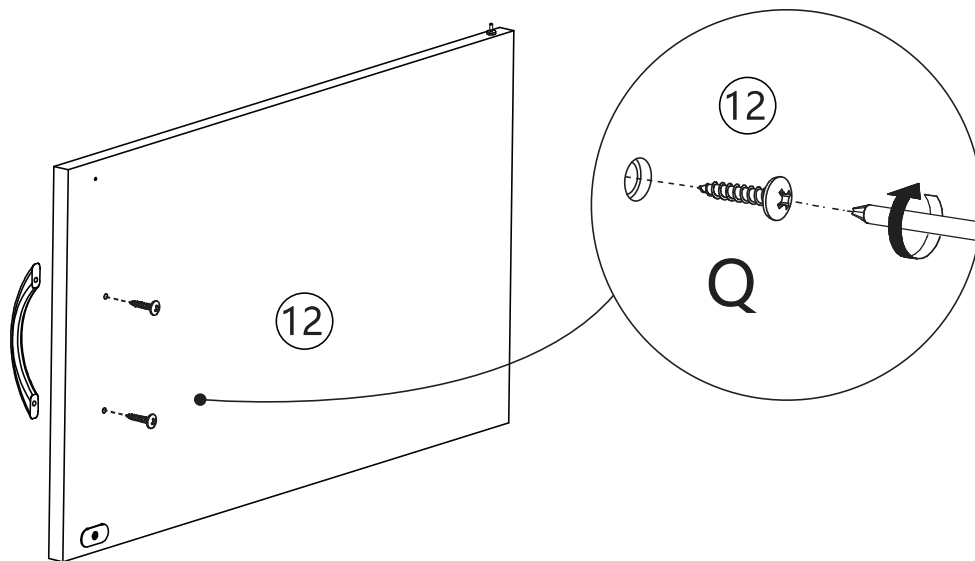
22



Fix handle(P) to part 12 with screw(Q) as shown.

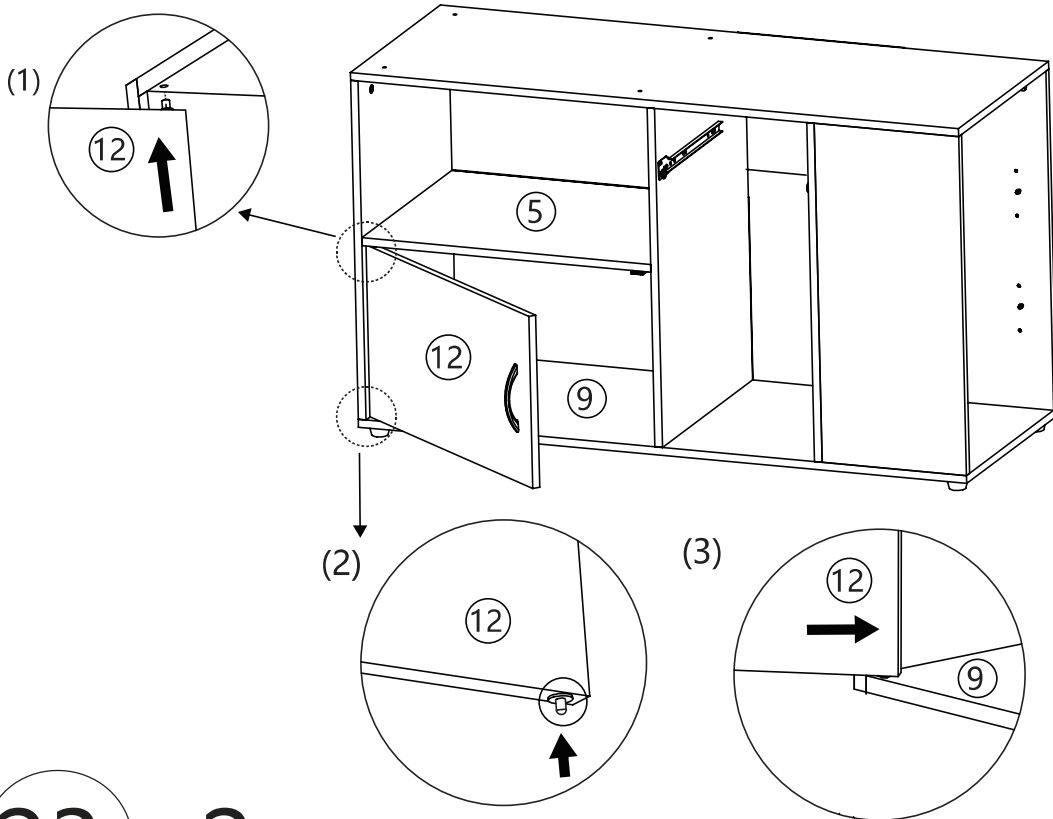


22-2

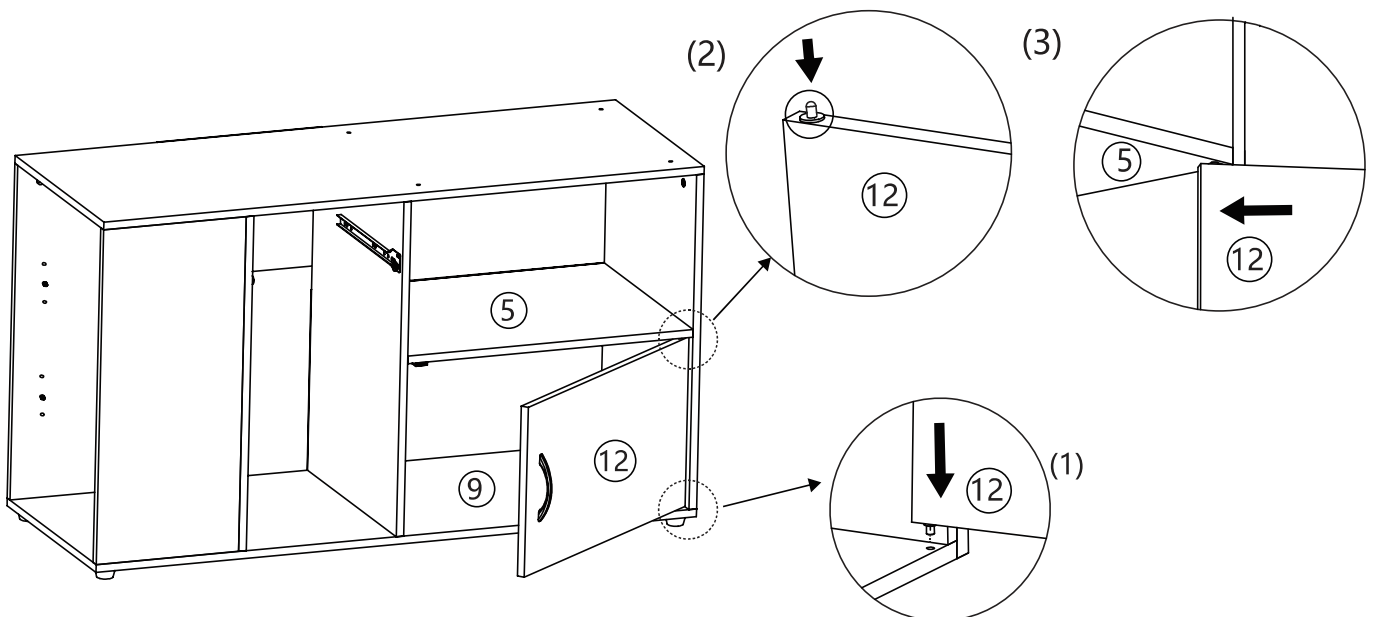


23

Attach door part 12 to part 5 and 9 as shown.



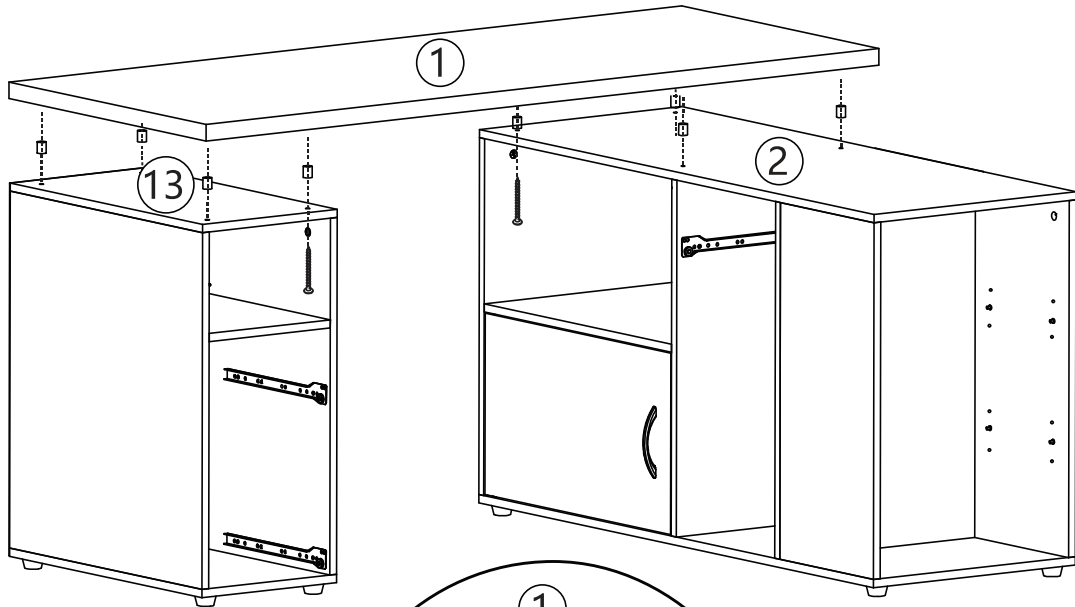
23 -2



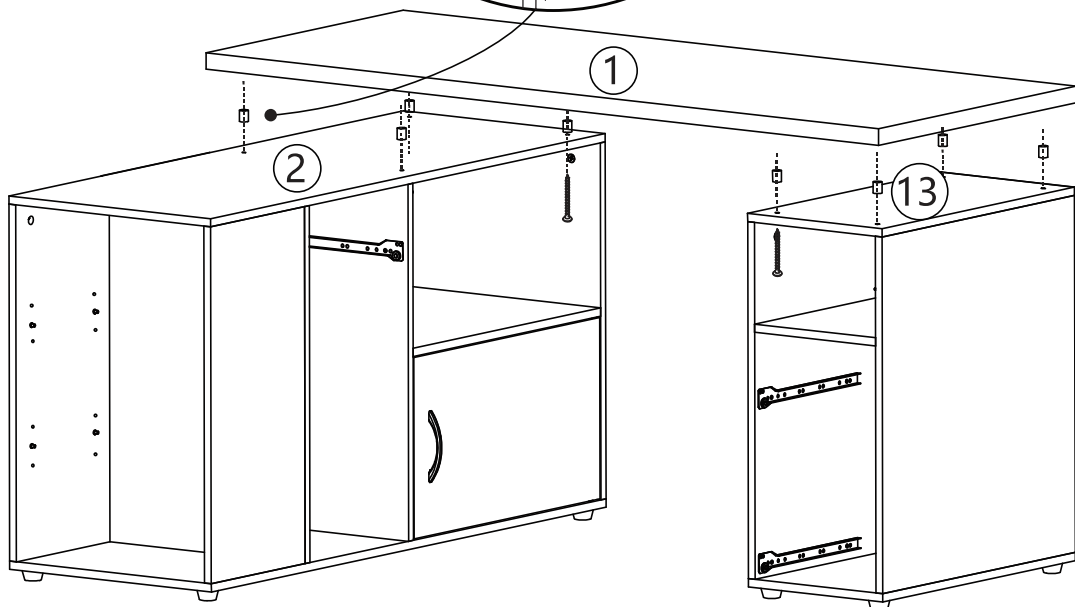
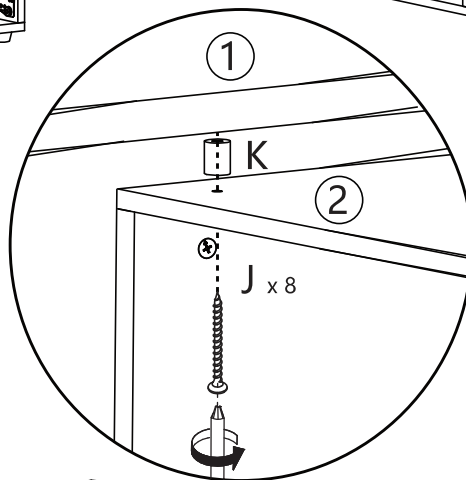
24



Fix part 1 to part 2 and 13 with part(K) and fix using screw(J) as shown.

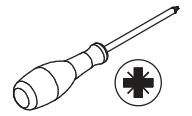


24 -2

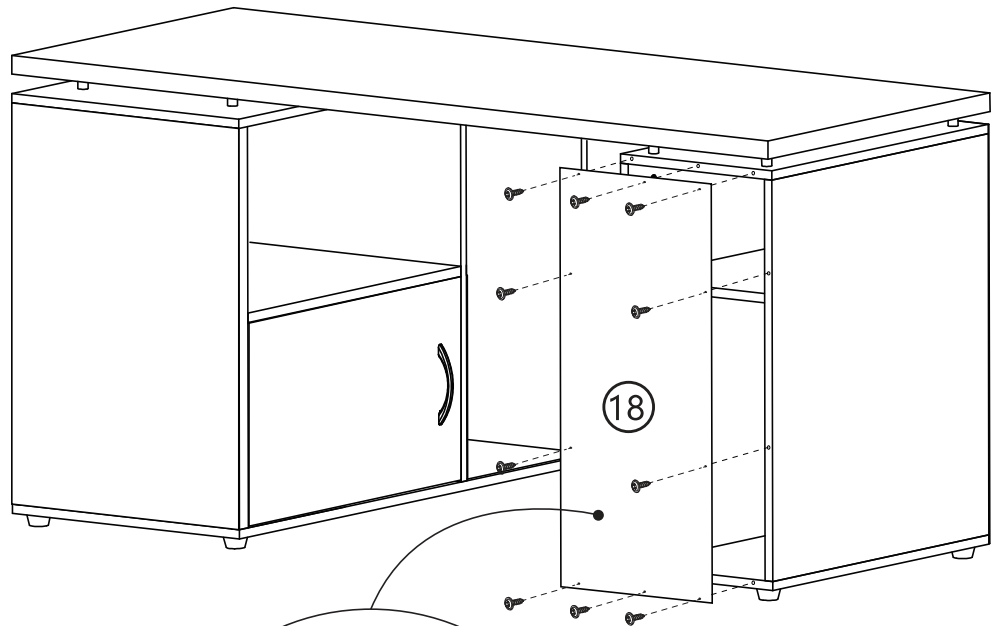


25

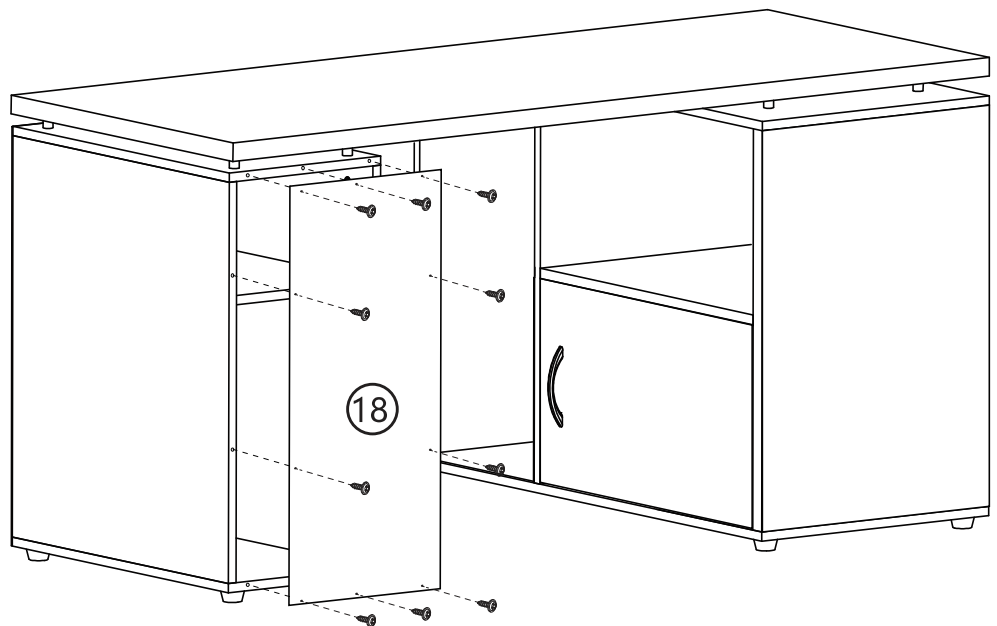
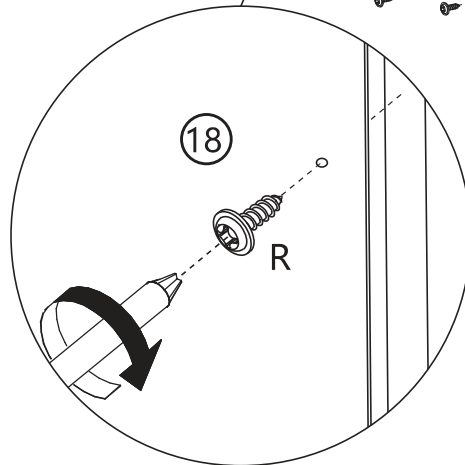
R x 10
Ø2.5x10 mm



Attach part 18 to assembled unit with screw(R) as shown.

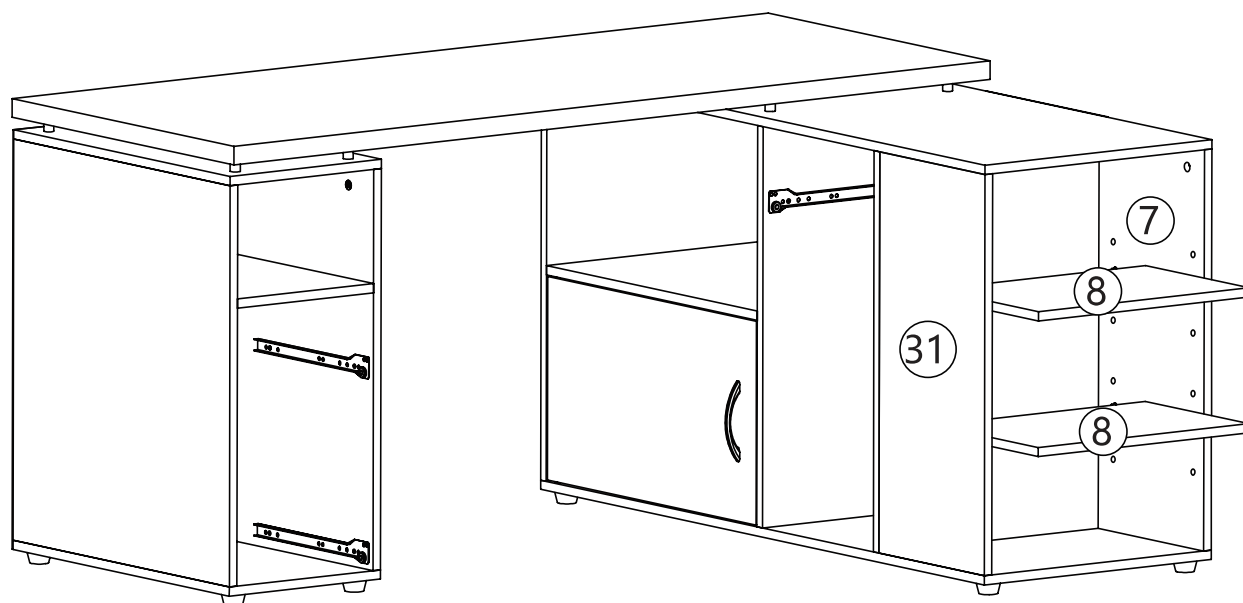


25-2

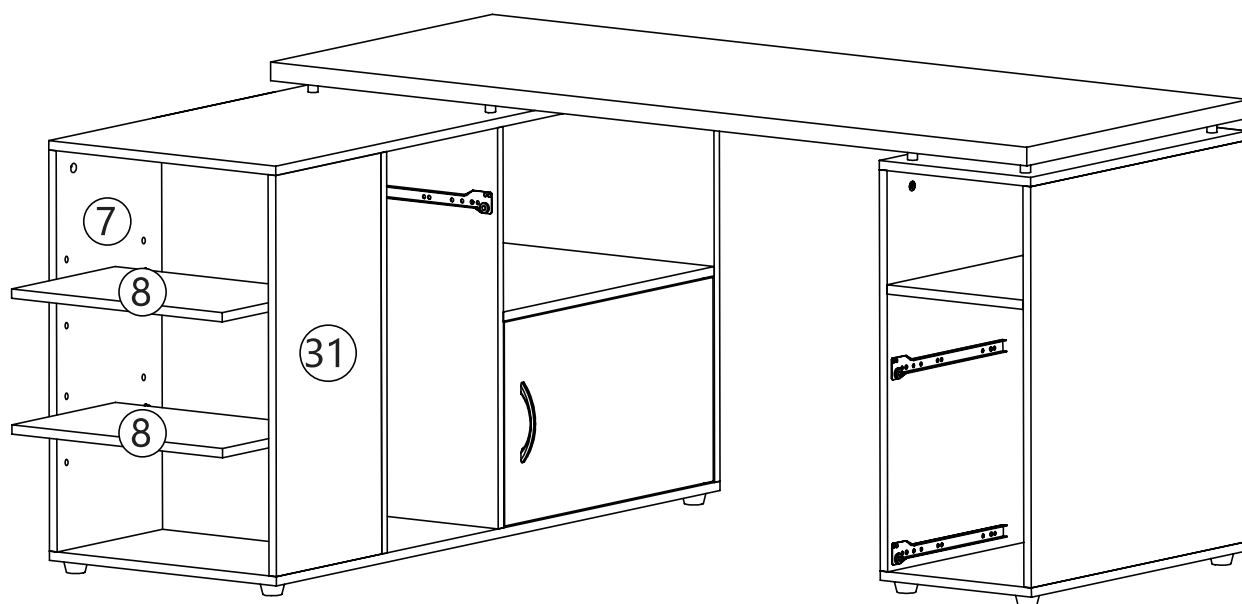


26

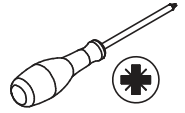
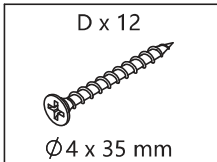
Place shelf 8 in as shown.



26 -2

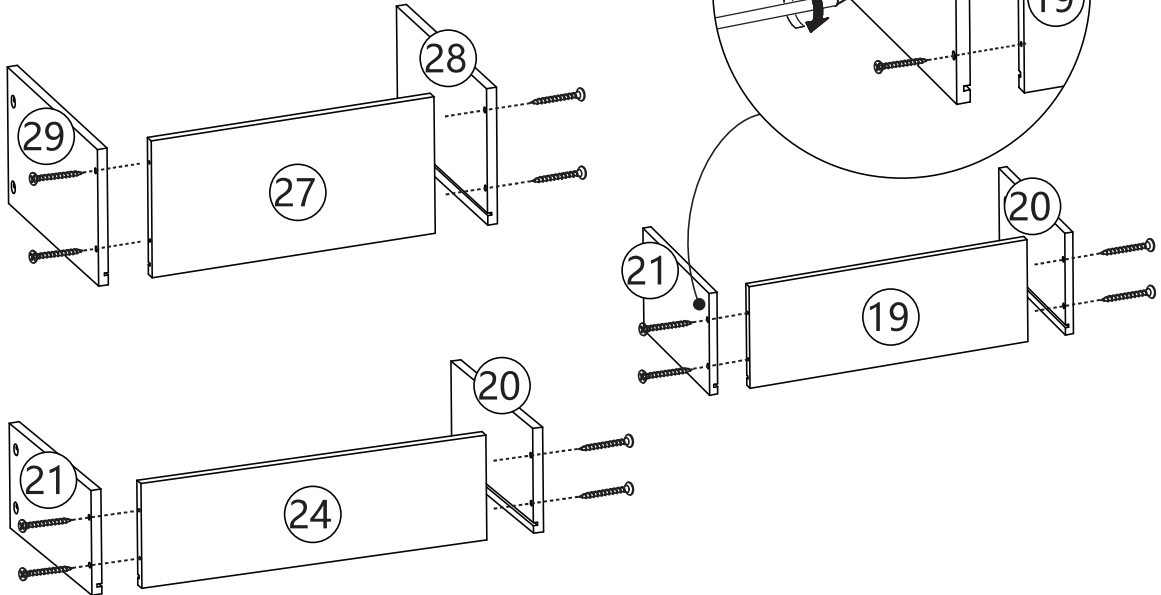


27



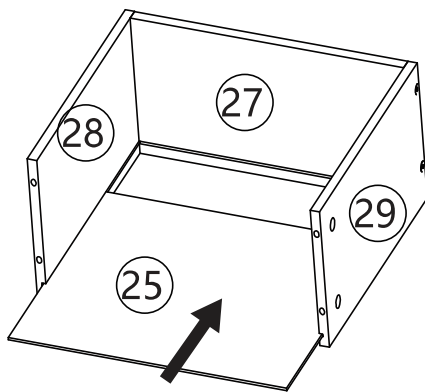
Fix part 20 and 21 to part 19 and 24 respectively with screw(D) as shown.

Fix part 28 and 29 to part 27 with screw(D) as shown.

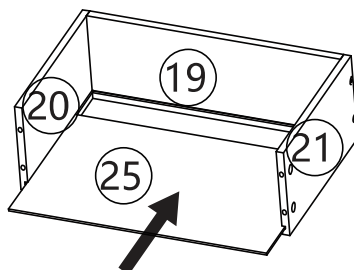
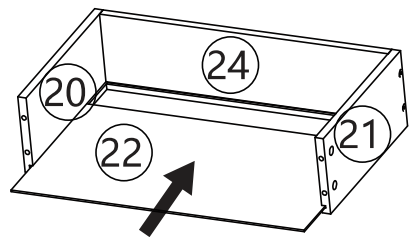


28

Slide part 25 along grooves as shown.

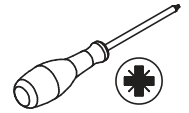
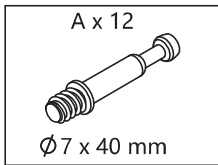


Slide part 22 along grooves as shown.

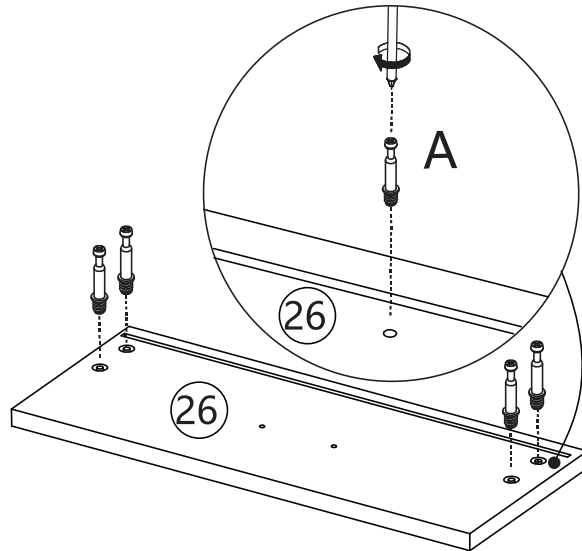
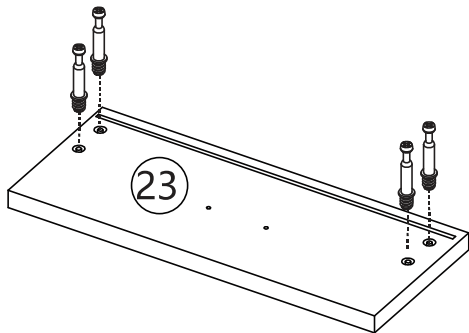
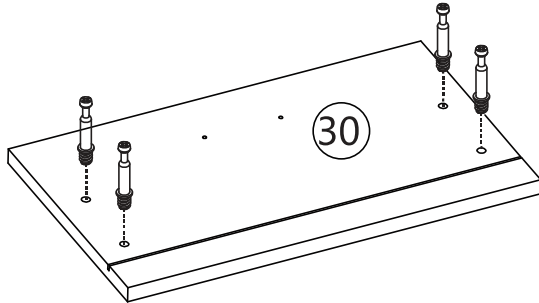
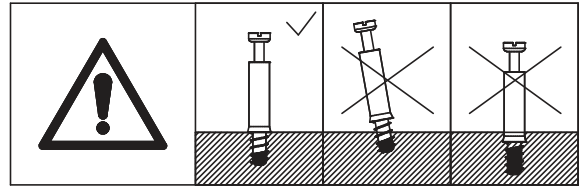


Slide part 25 along grooves as shown.

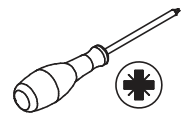
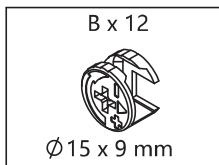
29



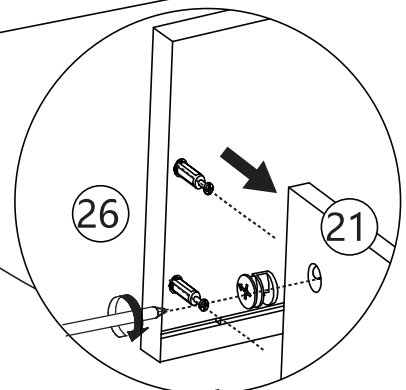
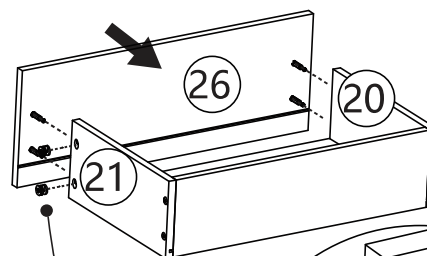
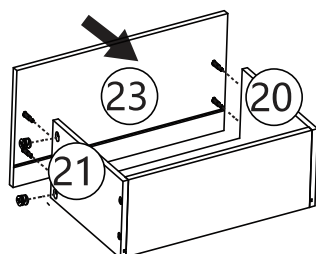
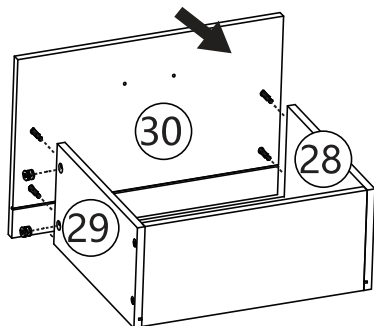
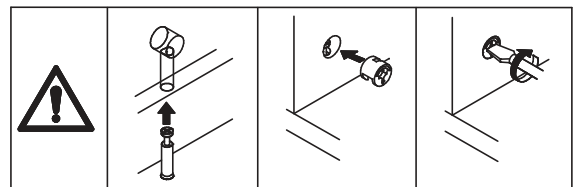
Insert quickfit screw(A) into part 23, 26 and 30 as shown.



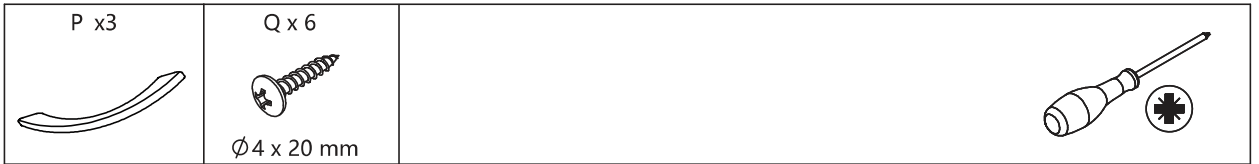
30



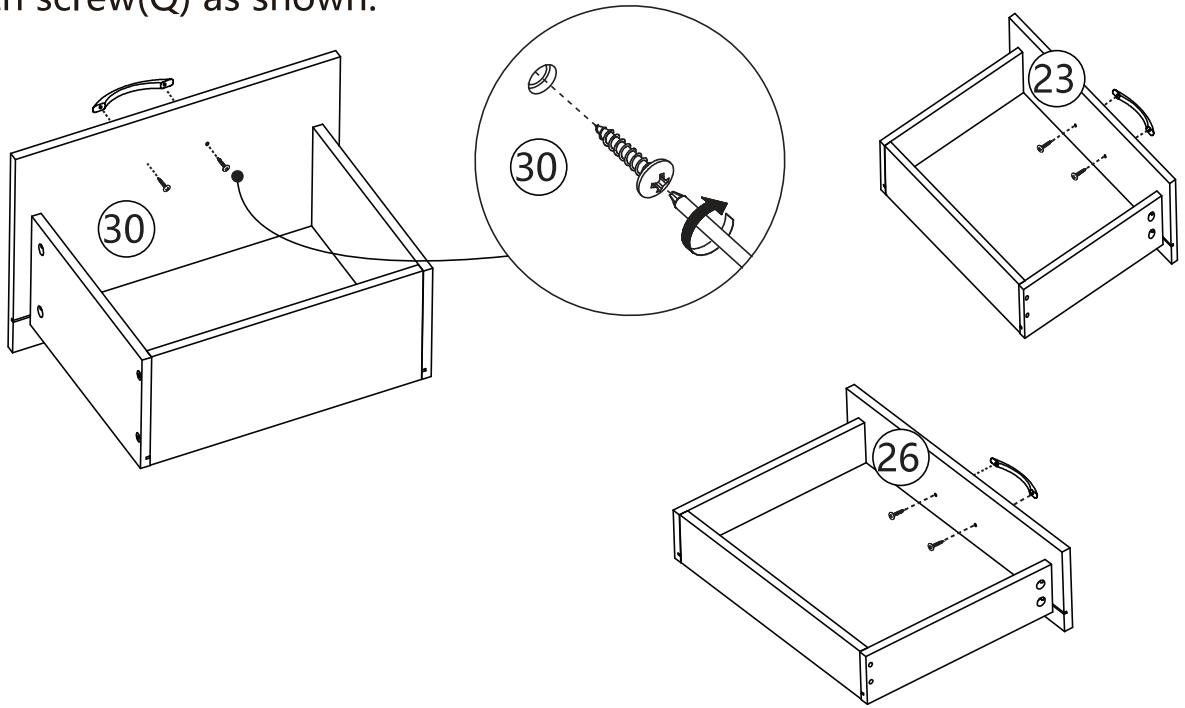
Attach part 23, 26 and 30 to corresponding drawer component and turn cam lock(B) clockwise to tighten as shown.



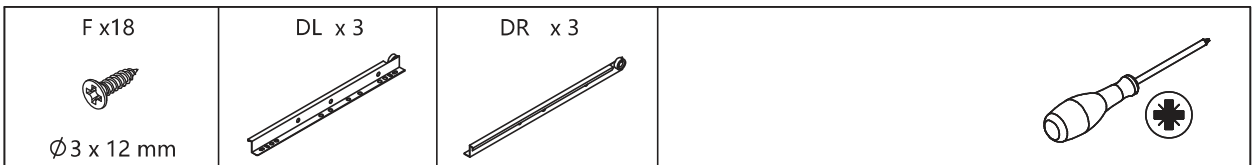
31



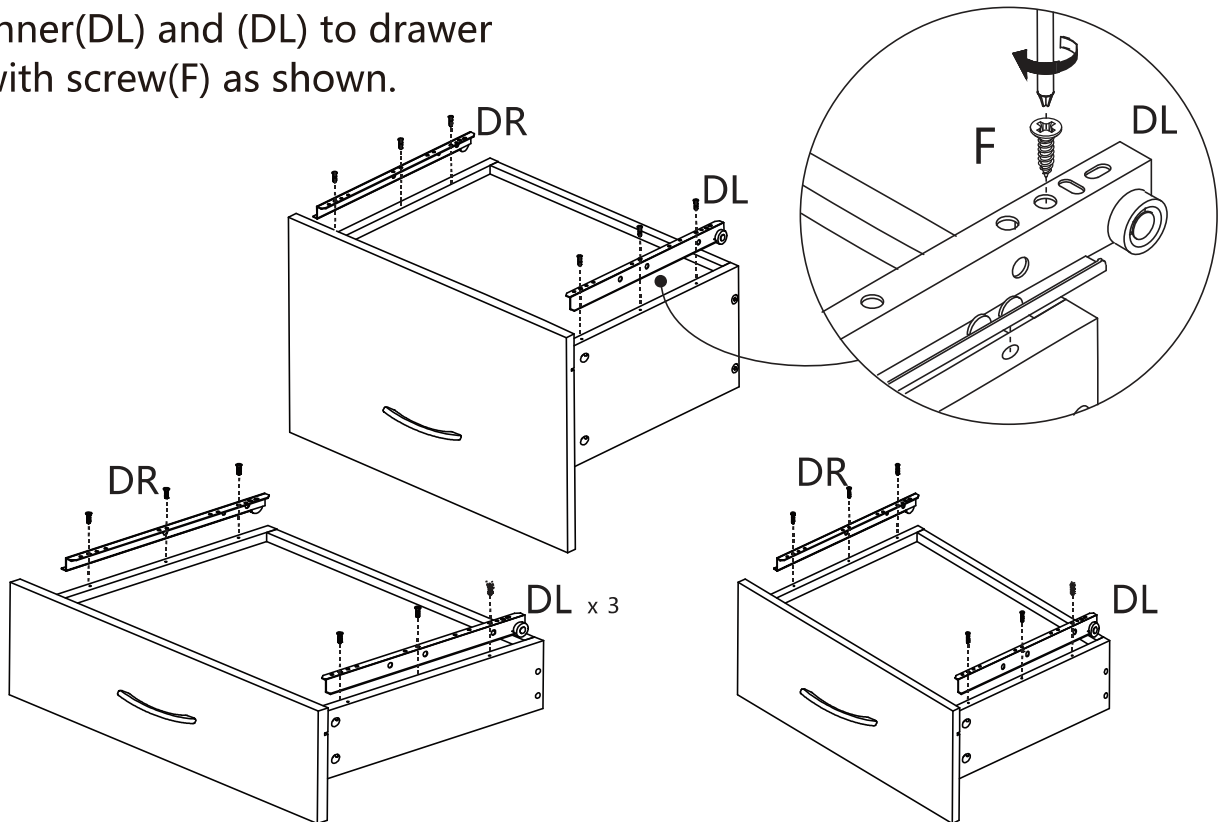
Fix handle(P) to part 23, 26 and 30 with screw(Q) as shown.



32

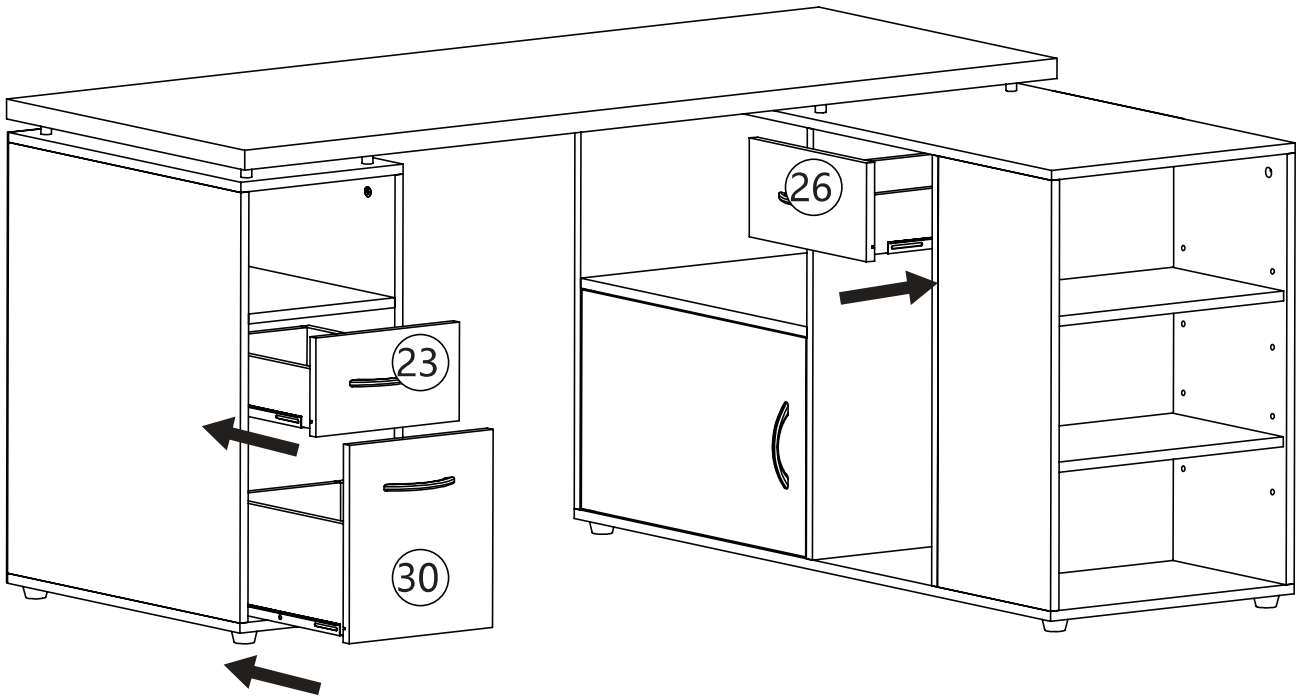


Fix runner(DL) and (DL) to drawer side with screw(F) as shown.

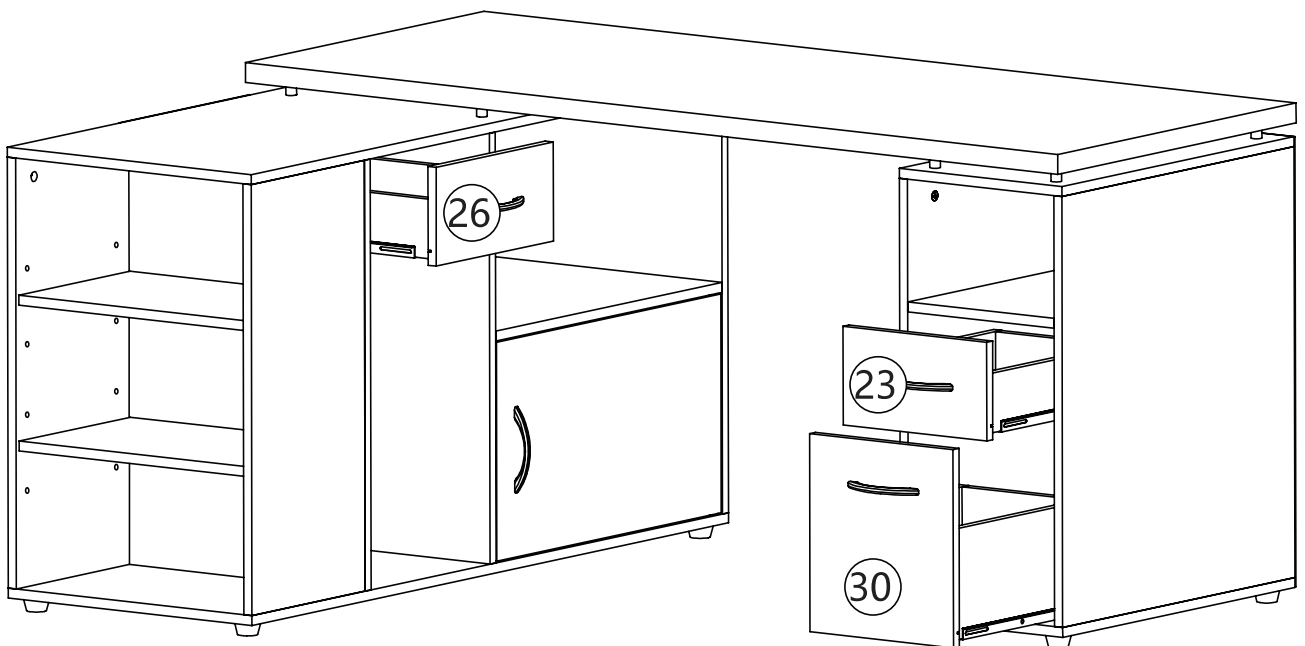


33

The drawer slides must align with the internal rails, otherwise the drawer will tilt.



33-2



34



Please note: the maximum recommended weight for this is 5kg by drawer and 50kg in total. Please spread load evenly between the shelf and drawer.

WARRANTY

WARRANTY CLAIMS

- There is a 30-day warranty for broken furniture or any other problems that do not work properly. The warranty will start from the date of purchase which must be verified by proof of purchase.
- Before making a claim, we may be able to answer your query, simply call us. Please leave your purchase order number, along with some details of the problem, if you want a replacement part. We will arrange within 48 hours. If there is out of stock, we will reply with a shipping date.
- The product must be used in accordance with the instructions provided. For health reasons.
- For other reasons, if the furniture needs to be returned, it must be cleaned and dried and operated within 30 days of receipt.

Type of Warranty Claim

- Failure to follow the furniture instructions will invalidate the warranty. Attention please.
- Does not include damage during installation, but includes damage during transportation.

Scope of responsibility

- Shall not bear any responsibility for misuse or user damage and / or loss of parts during the installation of furniture.
- After using, the damage and scratches of the furniture are not covered by the warranty.

The Warranty Relates to All Bought in The Us and Covers The Following Areas

- Sheet parts: 1 month from the date of purchase.
- Electrical parts: 1 month from the date of purchase.

RETURNS

CHANGED YOUR MIND AND NEED TO RETURN YOU ITEM?

PLEASE FOLLOW THE BELOW INSTRUCTIONS:

- If you have purchased and have simply changed your mind, follow the retailer's instructions for returns.

DEFECTIVE ITEMS

- If your item is defective in any way, i.e. it doesn't work but you can't identify why, in the first instance, please call us.

DAMAGED ITEMS

- If you receive an order with obvious shipping damage from the retailer, then we suggest the delivery is refused. If the delivery has been accepted and then shipping damage is found, please follow the specific instructions advised by the retailer.
In all circumstances please save all packaging material and paperwork for the order. Please be aware that if you dispose of packaging material or attempt to return the merchandise without contacting the fulfiller, you jeopardise your chances of making a claim, and you may not receive a credit for the return.