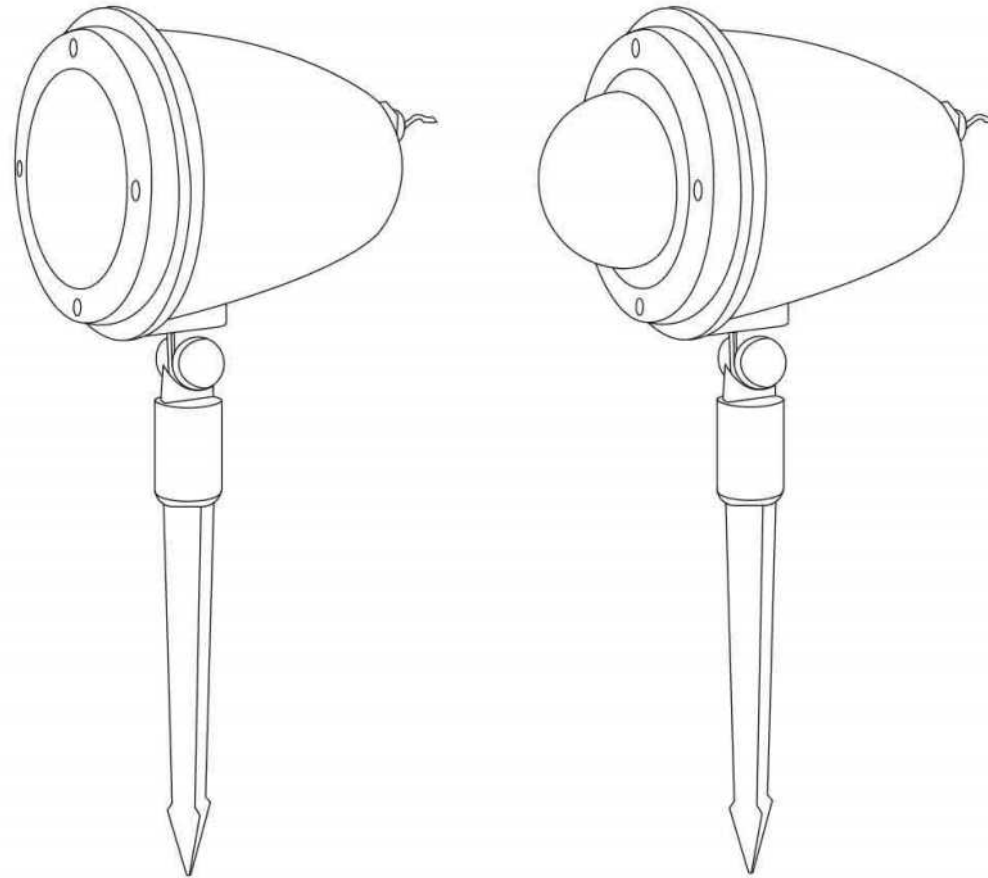


ANBUY[®] STARRY

Outdoor Snowflake Projector + Aurora Projector Set User Manual



Unboxing Check

Thank you for purchasing our products, please read the instruction manual carefully before use. Instruction manual contains necessary safety advice and user instructions, follow the instruction manual to operate in order to avoid damaging the product for misuse. Check whether the product is damaged or not when you receive the product.

Package List:

Snowflake Projector Light x 1
Outdoor Aurora Projector Light x 1
Power Adapter x 2
Ground Stake x 2
Round Base x 2
Remote Control x 1
User Manual x 1

Notice:

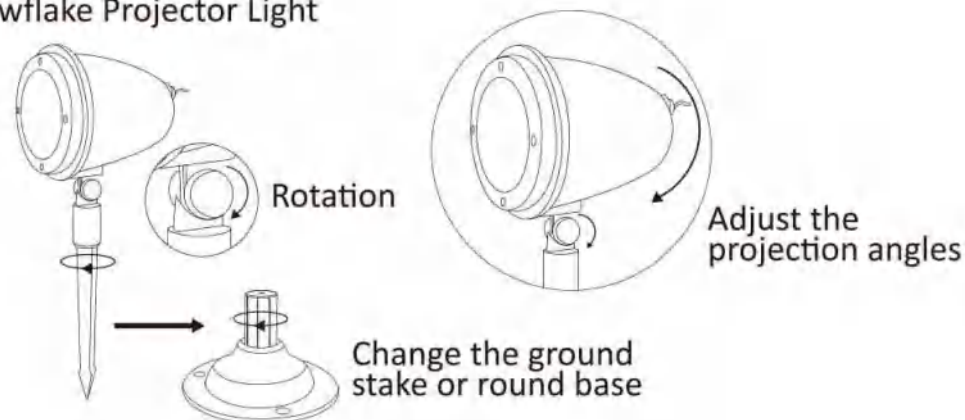
1. Strictly in accordance with the instructions of this operation, do not disassemble the host and accessories.
2. This product is suitable for indoor and outdoor use.

Warnings:

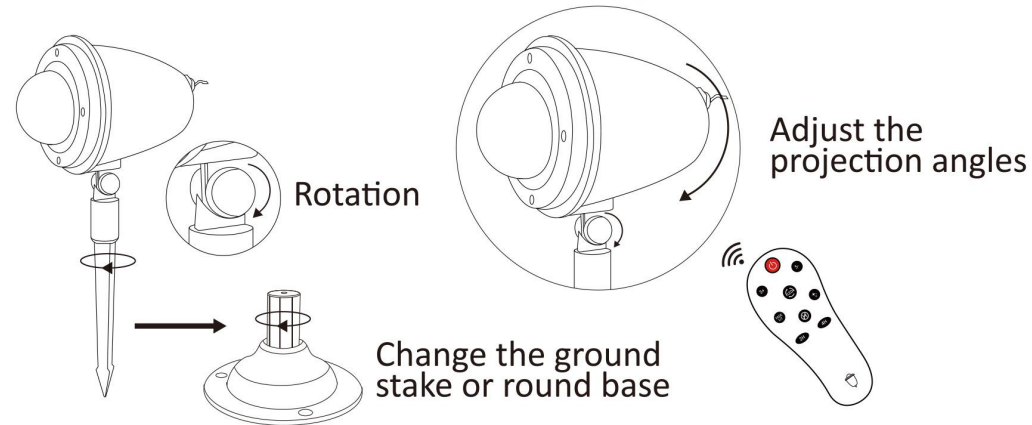
The power requirement of this product is 100-240V/50-60Hz. Once it exceeded the range, please use with the regulator device to avoid shorten the lifetime.

How to Use

A. Snowflake Projector Light

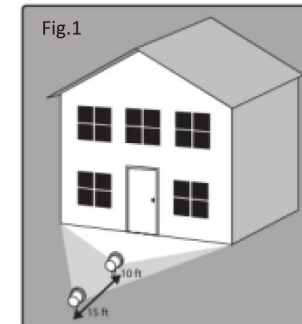


B. Aurora Projector (Need to work with remote control, the same icon on the host and remote control for recognition)



Assemble Instruction

1. Projector light can be placed into the ground with the ground stake.
2. Place the projection light about 10 to 15 feet from the projected surface (see fig. 1), you can adjust the projected distance and direction to get the best projection effect.
3. Projector light can be fixed with the round base for indoor use.
4. They can use alone, or combine a set of them for projecting together.



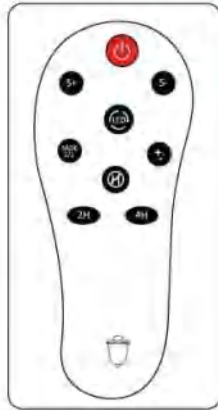
Notice

The product with built-in 6 hours automatically shut off that is working for 6 hours and automatically shut down. Once it automatically shut down, please cut off the power supply and restart the device.

Snowflake Projector Light Specifications

Host Material	ABS
Input Rated Voltage	14V
Maximum Power	4.2W
Maximum Working Current	300mA
Projection Light Source	LED light bead
Projection Light Source Wavelength	White light beads (15000k)
Projection Distance	2-10M
Projection Area	The projection area is 10 m ² at a distance of 3M, and 20 m ² at a distance of 6M
Input Power	100-240V 50/60Hz 0.7A Max
Operating Temperature	-20~75 °C / -4~122°F
Storage Temperature	-20~60 °C / -4~140°F
Product Model	BL-DP-BFX
Power Cable Length	10M
Waterproof Grade	IP65
Use and Maintenance	Indoor and Outdoor Use

Remote Control Function Description:



- Button 1: Power On/Off (the light will back to default mode once the device restarts)
- Button 2: Control ocean wave moving speed up (0%-50%-80%, 50% by default)
- Button 3: Control ocean wave moving speed down (0%-50%-80%)
- Button 4: Change RGBW ocean wave colors, the light is default in circular mode
Once Press: Turn off ocean wave light

Press again: B - R - G - W - RB - GB - BW - RG - RW - GW - Back to the default circular mode (the light will circle through B - R - G - W - RB - GB - BW - RG - RW - GW)

- Button 5: FADE 1/FADE 2: Single color mode and double-color mode switch
Press the button, ocean wave move circularly in R-G-B-W single color mode
Press again, ocean wave move circularly in RB - GB - BW - RG - RW - GW double-color mode
- Button 6: Aurora light switch on/off
- Button 7: 2H Timer (The light flash once time as prompting)
- Button 8: 4H Timer (The light flash 2 times as prompting)
- Button 9: Timer Off (The light flash 3 times as prompting)

Notice

The product with built-in 6 hours automatically shut off that is working for 6 hours and automatically shut down. Once it automatically shut down, please use the remote control to power on again and the light will back to the default mode.

Aurora Projector Light Specifications

Host Material	ABS
Input Rated Voltage	14V
Maximum Power	4.9W
Maximum Working Current	350mA
Projection Light Source	LED light bead
Projection Light Source Wavelength	Red light beads (620-625nm), green light beads (520-525nm), blue light beads (460-465nm), white light beads (5500-6000k)
Projection Distance	2-10M
Projection Area	The projection area is 40 m ² at a distance of 5M, and 60 m ² at a distance of 8M
Input Power	100-240V 50/60Hz 0.7A Max
Operating Temperature	-20~75 °C / -4~122°F
Storage Temperature	-20~60 °C / -4~140°F
Product Model	BL-DP-BJG
Power Cable Length	10M
Waterproof Grade	IP65
Use and Maintenance	Indoor and Outdoor Use

Designed in USA
By Anbuy®Starry
8416 SW 23rd Place,
Oklahoma, OK 73128
Made in China

ANBUY® **STARRY**

www.anbuystarry.com