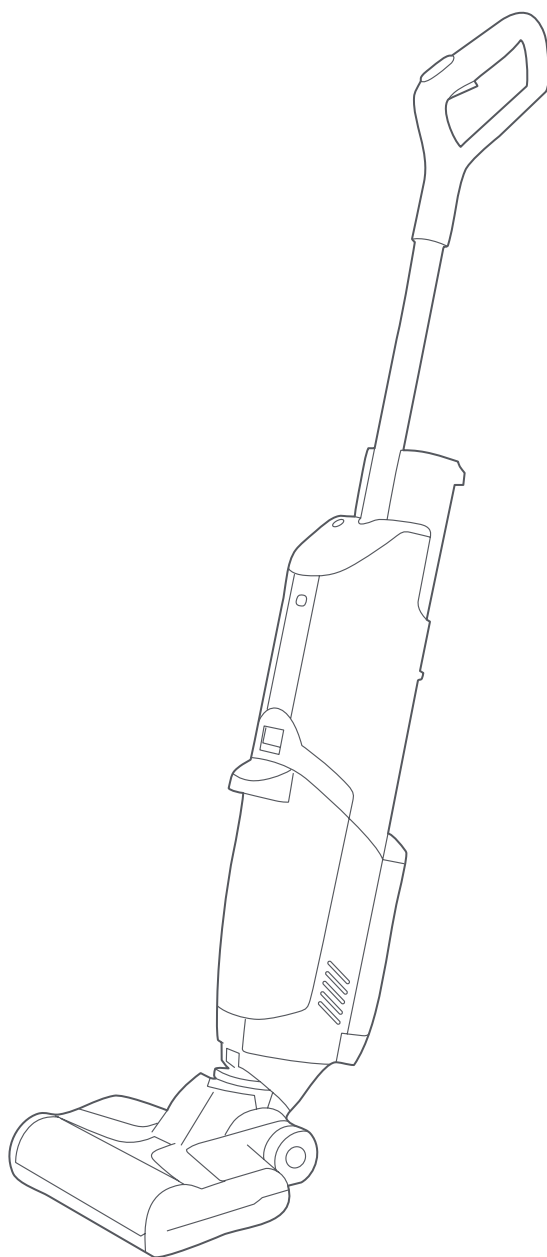


joyami



joyami JW1 Cordless wet & dry vacuum cleaner User Manual

For your safety and good experience, please read user manual carefully before you use the product, and keep it properly for future use.

CONTENTS

Product Introduction.....18

Important Safeguards.....18

Recycling.....20

Remove the rechargeable battery.....20

Product Description.....21

List of Accessories.....22

Functions of Keys.....22

Introduction to LED Panel.....23

Install the Product.....23

Remove the handle, main body, and battery pack..23

Dismantle and install the handle.....24

Dismantle and install the battery pack.....24

Dismantle and install the clean water tank.....24

Dismantle and install the dirty water tank.....24

Dismantle and install the rolling brush.....25

Install the charging base.....25

Charge the product.....25

Start to use.....25

Inspection before use.....25

Fill the clean water.....26

Turn on.....26

Self-cleaning.....26

Cleaning & Maintenance.....27

Maintain the main body.....27

Maintain the foot.....27

Clean the dirty water tank.....27

Clean the float,filter elementand filter net.....27

Install the dirty water tank.....28

Clean the rolling brush.....28

Clean the charging base.....28

Storage.....28

Clean water tank alarm calibration.....29

Fault Code.....29

Troubleshooting.....30

Basic Parameter.....31

After-sale Service.....31

Thank you for purchasing and using joyami products!

Important Safeguards

Please read this operation manual carefully before using the product and its accessories, and keep it properly for future use. Accessories attached with packaging differs from different products.

Danger

- The product is for home use only. Do not use it in outdoor, off-ground, commercial or industrial scenes.
- Do not touch the power plug or any live part of the product with wet hands.
- Do not take in flammable materials or uncooled ash.
- Do not immerse the product or its adapter in water or other liquid or rinse them under the tap.

Warning

- Before connecting the product to a power supply, check that the local voltage is consistent with the voltage indicated on the power adapter.
- Check the product before using it. Stop using the product if it or its adapter is damaged. Make sure to replace it with an original replacement.
- The power adapter contains a transformer. Do not cut off the power plug from the adapter to replace it with other one; otherwise, serious consequences may occur.
- Please take good care of children. Don't play the product for fun.
- Remove the power plug from the socket before cleaning or maintaining the product.
- If you do not use the product for a period of time, unplug the power adapter.
- When storing the product for more than one month (without use or charging), ensure that the battery is at least 50% full. Storing the product after the battery is used up can cause irreversible damage to the battery.
- Remove the power adapter before storing the product.
- Do not move the floor brush on the power cord of other products or other cables; otherwise, it may cause danger.
- Do not sway up and down, violently collide, tilt or horizontally place the product, to avoid dirty water against flowing into the motor.
- Do not use the product near a heat source, such as fireplaces, heaters, and radiators which are working.
- Do not fill acid or alkali solution or substances which are harmful to the environment into the product to prevent the corrosion of the product.
- Do not take in high temperature substances such as unextinguished cigarette ends, matches and ashes, ultrafine substances such as lime, cement, wood chips, gypsum powder, ash, and charcoal powder, dangerous substances such as solvent and detergent, chemical substances such as acid substance and detergent, or other substances with uncertain physical properties.
- Do not take in detergent, kerosene, gasoline, alcohol, paint, or perfume. These liquids may cause short circuit, fire or explosion of the product.
- Do not use the product to take in large objects such as peanut shells, popcorn, or paper balls. These may cause blockage of and affect use of the product.
- Do not use the product to take in color matching agent or toner used in laser printers or copiers. These substances may cause fire or explosion.
- Do not use the product to take in sharp objects such as glass fragments, small toys, pins, paper clips, stones, and large pieces of paper. These may cause blockage of and affect use of the product.
- Do not apply any scented products to the filter of the product, because their chemicals are known to be inflammable and can cause fire of the product.
- Do not use the product to clean stains with strong grease, strong viscosity or strong dyeing, such as shoe polish, paint and pigment. The product isn't applicable to these stains.
- Do not disassemble or assemble the product by yourself, to avoid any damage or danger to it.
- Immediately stop using the product and make a call to joyami after sales for professional maintenance in case of current leakage, overtemperature and abnormal noise of the motor, overheating, abnormal noise, peculiar smell, and weak suction.
- Do not sway up and down, violently collide, tilt or horizontally place the product, to avoid dirty water against flowing into the motor.
- Do not use the product when its rolling brush, clean water tank, dirty water tank or filter element is not installed properly.
- When the product fails, do not repair it by yourself. Please make a call to our after-sales department for help.
- Please use the product as instructed in the operation manual. Any loss caused by improper use shall be borne by users themselves.

Precautions

- Only use the charger specially provided by our company for charging; otherwise, other types of chargers may cause battery failure or extreme thermal effect.
- Do not unplug the product by pulling the power cord. To unplug the product, remove the charging plug from the product and the adapter from the power socket.
- Replace the rolling brush only after powering off the product.
- Do not use any accessories or parts produced by other manufacturers or not specifically recommended by joyami. Use of such accessories or parts will void the warranty of the product.
- Because the product cleans with water, the floor will be wet and slippery for a period of time after cleaning.
- To prevent damage, do not fill wax, oil, floor maintenance products or non-water dilutive floor cleaning agent into the water tank.
- Do not mix different types of floor cleaning agents. After using a kind of floor cleaning agent, empty and rinse the water tank before filling another kind in the water tank. To prevent damage to the product, do not use non-transparent or galactoid floor cleaning agent.
- Store and use the product in a dry place; otherwise, a damp place will affect the insulation and service life of electrical appliances.
- Do not fill hot water with a temperature of over 60°C to avoid deformation of the water tank.
- Check the condition of the suction nozzle regularly. In case of blockage, unblock it in time to avoid the reduction in suction caused by blockage.
- After using the product, timely clean up the dirty water tank to avoid suction drop and the motor's heating caused by obstruction, thus affecting the service life of the product.
- It is recommended to use floor cleaning agent reasonably. If excessive floor cleaning agent is used, more foam will be generated during use and may penetrate into the motor and cause danger. Please follow the instructions about the proportion of floor cleaning agent. It is recommended to use joyami special cleaning agent for cleaning.
- If you do not use the product for a long time, turn off the power supply, and disconnect the plug from the charging socket.

Safety Instructions on Battery

- Use the product only for its intended purposes and follow the general instructions and safety instructions on battery specified in this operation manual. Misuse of the product may cause electric shocks, scalds, fires and other hazards or injuries.
- Charge, use and store the product at a temperature between 6°C and 40°C.
- Unplug the product after it is fully charged.
- Do not burn the product or its battery, nor expose it to direct sunlight or high temperatures, for example, in a hot car or near a hot stove. If it overheats, the battery may explode.
- If the product abnormally overheats, gives a bad smell, discolors, or takes longer than usual to charge, stop using or charging it, and contact our after-sales department for help.
- Do not place the product or its battery in a microwave oven or on an induction cooker.
- The product contains a replaceable rechargeable battery pack. Do not open the battery pack or use other battery packs in the product. If the battery pack is soaked in water, do not use it any more.
- When handling the battery, make sure your hands, the product and its battery are dry.
- To prevent the battery from heating up or emitting toxic and harmful substances, do not modify, pierce or damage the product or its battery, nor dismantle, short circuit, overcharge or reverse charge the battery.
- To avoid accidental short circuit after the battery is removed, do not make the battery terminal contact metal objects such as coins, hairpin and rings.
- Do not wrap the battery in aluminum foil. Before discarding the battery, tape the battery terminal or put the battery in a plastic bag.
- If the battery is damaged or leaks, avoid it against contacting skin or eyes. In case of contact, rinse skin or eyes immediately with clean water and seek medical advice.
- Do not rinse the battery pack with water.

Electromagnetic Field (EMF)

The product complies with all applicable standards and regulations relating to exposure to electromagnetic fields.

Recycling

- When disposing of the product, do not put it together with general household garbage, but send it to the recycling center designated by the government for environmental protection.
- Follow your country's/region's regulations on recycling electrical and electronic products and rechargeable batteries by category. Proper disposal of the product can avoid adverse environmental and human health consequences.

Remove the rechargeable battery

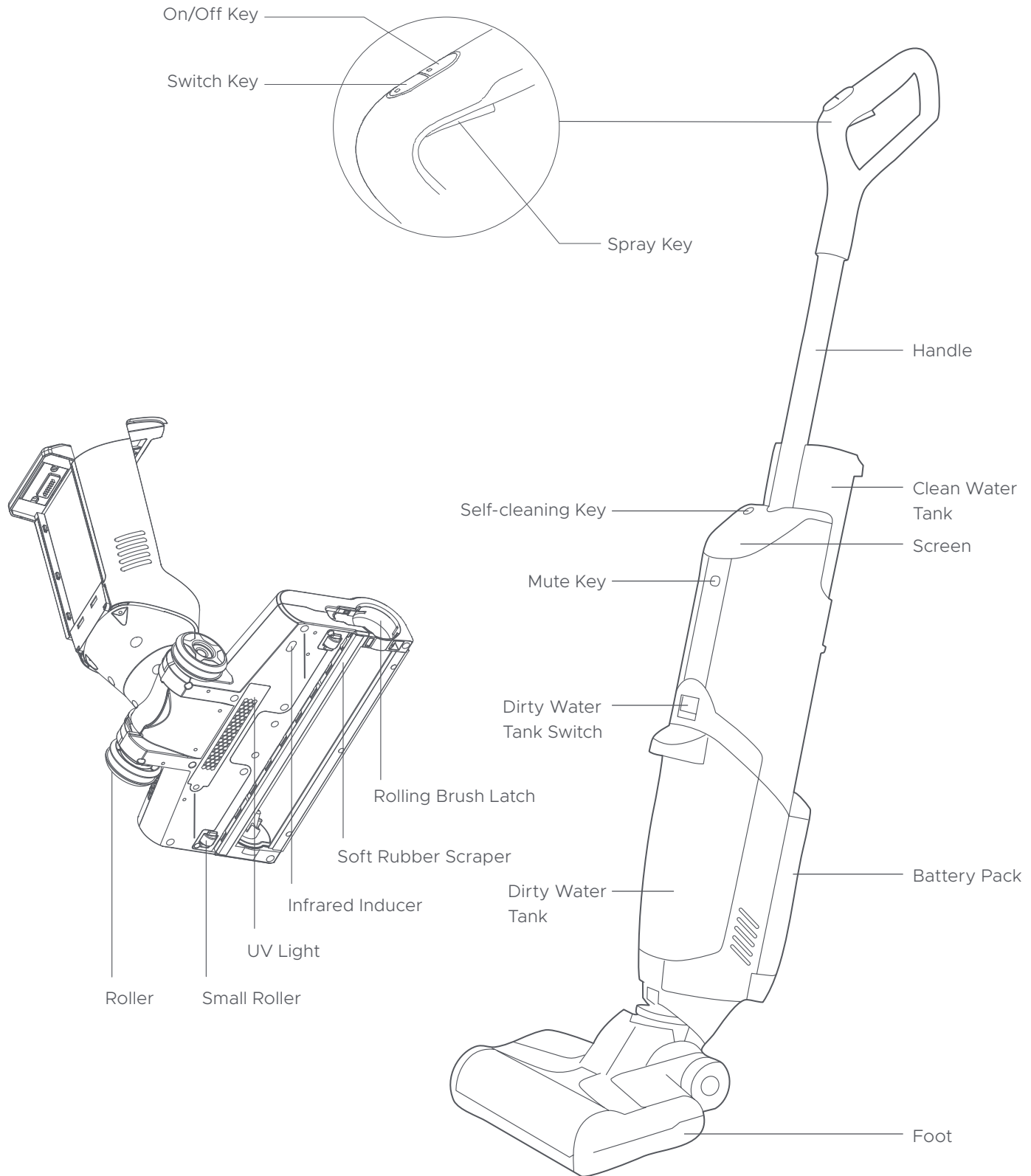
Remove the rechargeable battery before discarding the product. Disconnect the product from the power supply and exhaust the battery before removing the battery.

When you open the product with a tool or discard the rechargeable battery, take necessary safety protection measures.

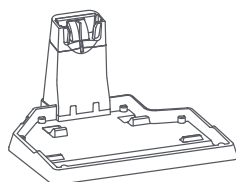
Follow the following steps to remove the rechargeable battery.

1. Disconnect the power supply of the product and allow the product to continue running until the motor stops rotating.
2. Press the buttons on both sides of the battery pack and pull the battery pack downwards to remove it.

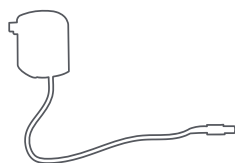
Product Description



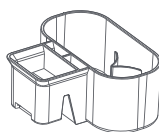
List of Accessories



Charging Base



Power Adapter



Rolling Brush Holder



Multi-function Rolling Brush



Long-handle Cleaning Brush

Functions of Keys

On/Off Key

Press once the On/Off key to turn on the product, and again to turn it off. The Standard stage is default when the product is turned on.

Switch Key

The Standard stage is default when the product is turned on. Press once the Stage key to switch the product to the Strong stage.

Spray Key

When the product is working, press the Spray key to intermittently or continuously spray water.

Tip: There are two spraying flows for matching with the Standard and Strong stages, respectively.

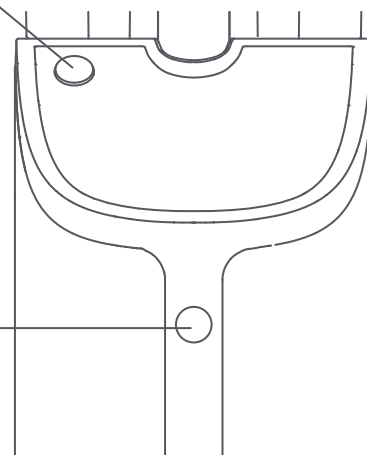
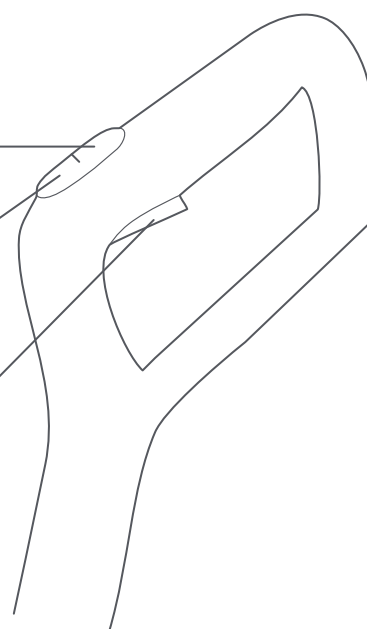
Self-cleaning Key

- Connect the charging base to the power supply, and place the product into the charging base in the charging mode. Slightly press the Self-cleaning key for self-cleaning.
- After cleaning is completed, the product automatically enters the charging mode;
- After the product is fully charged, it automatically powers off and enters the charging protection mode.

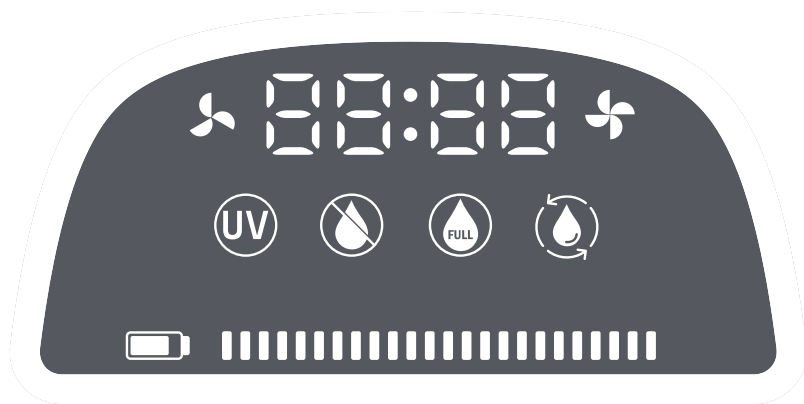
Tip: After self-cleaning is completed, please clean the dirty water tank in time to avoid peculiar smell.

Mute Key

Press the Mute key to start/stop the voice promptly.



Introduction to LED Panel



The squares on the right side of the battery capacity indicate the battery capacity, and every square represents 1/12 of the total battery capacity.



It displays the usage time in the form of "minute: second (XX:XX)".



The suction and spraying flow of the product is in the Auto Mode.



The suction and spraying flow of the product is in the Turbo Mode.



When the icon lights up, it means that the product has started the sterilization function.



The flash icon indicated that the product detects Clean water shortage. If you needs to spray water, fill more fresh water timely.



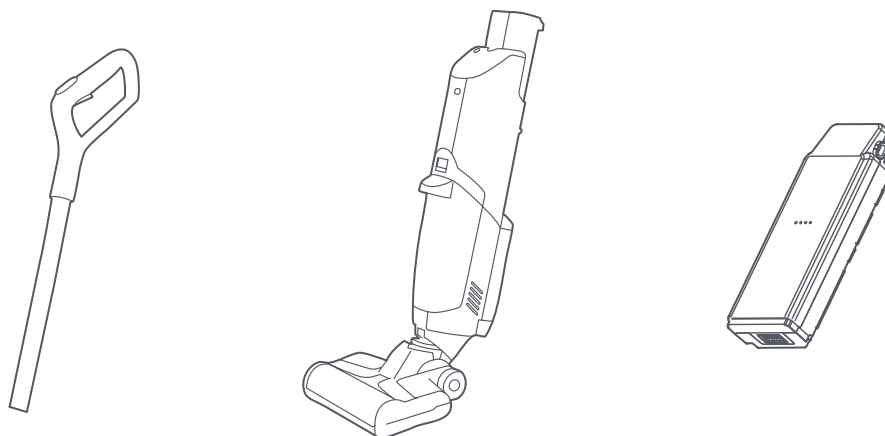
The dirty water tank is full, clean its interior timely.



Press the Self-cleaning key at the top of the screen when charging the product. The icon flashes after the product enters the self-cleaning mode.

Install the Product

Remove the handle, main body, and battery pack

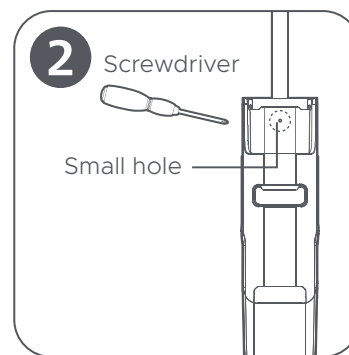
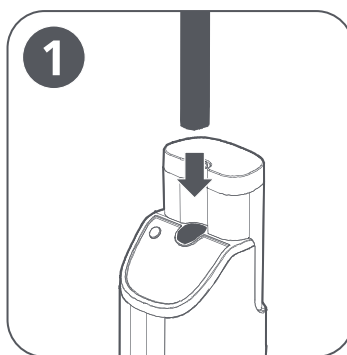


Dismantle and install the handle

Installation: Insert the handle to the corresponding hole in the main body. If a click sound is heard, it means the handle is properly installed. (as shown in Figure 1)

Tip: Install the handle in a correct orientation.

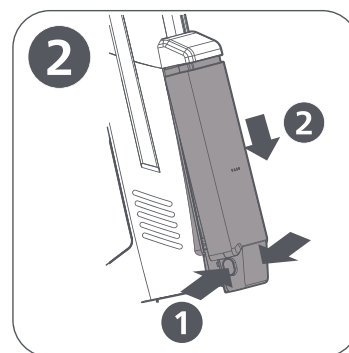
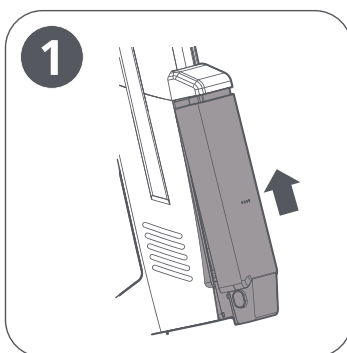
Dismantlement: Insert a properly sized screwdriver or tool into the small hole in the back of the handle to easily remove the handle. (as shown in Figure 2)



Dismantle and install the battery pack

Installation: Place the battery pack in the battery slot and push it upwards gently. If a click sound is heard, it is installed successfully. (as shown in Figure 1)

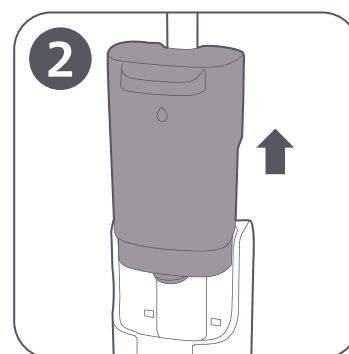
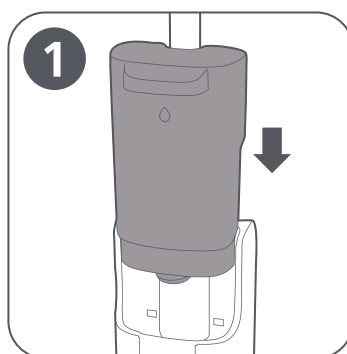
Dismantlement: Press the buttons on both sides of the battery pack and pull the battery pack downwards to remove it. (as shown in Figure 2)



Dismantle and install the clean water tank

Installation: Align the limit slots on both sides of the water tank with those of the main body, and gently push the water tank downwards. If a click sound is heard, it is installed successfully. (as shown in Figure 1)

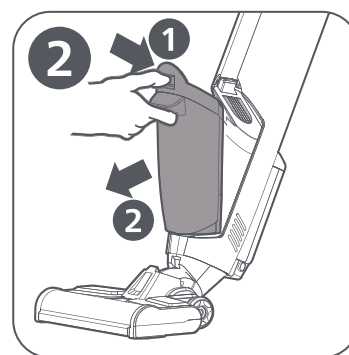
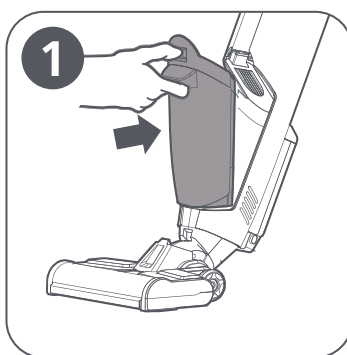
Dismantlement: Hold the main body and pull the clean water tank upwards to remove it. (as shown in Figure 2)



Dismantle and install the dirty water tank

Installation: Place the bottom of the dirty water tank with the opening of the main body, and gently push it inwards. If a click sound is heard, it is installed successfully. (as shown in Figure 1)

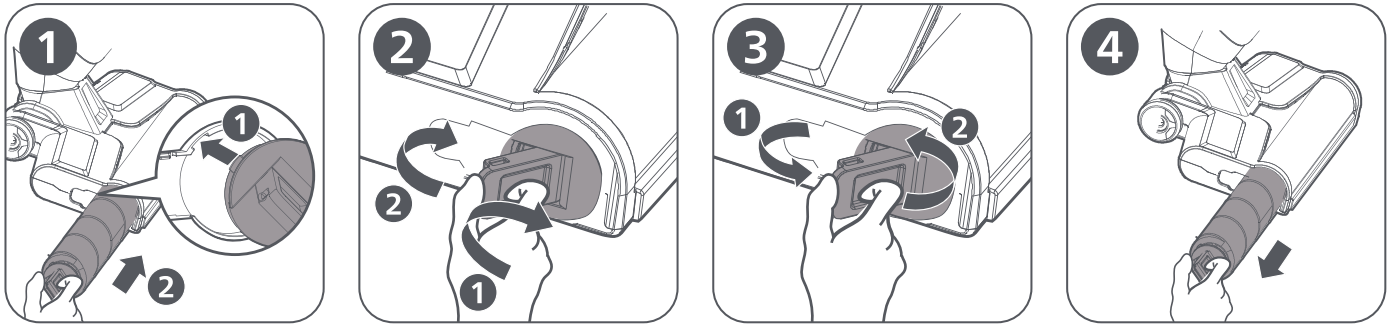
Dismantlement: Hold the main body, press down the latch, and gently push the dirty water tank outwards to remove it. (as shown in Figure 2)



Dismantle and install the rolling brush

Installation: Align the bayonet on the rolling brush latch with the slot, push the rolling brush to the bottom to make it fully contact the rolling brush shaft by turning it clockwise to the bottom, and close the latch. If a click sound is heard, it is installed successfully. (as shown in Figures 1 & 2)

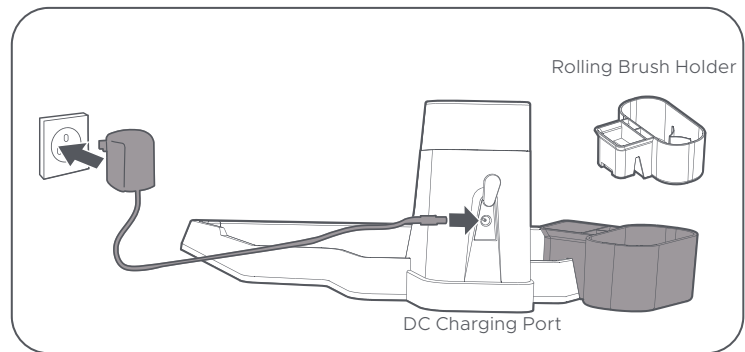
Dismantlement: Pull the side latch of the rolling brush outwards, hold the latch, and turn it counterclockwise to the bottom to take it out slowly. (as shown in Figures 3 & 4)



Install the charging base

- Insert the round DC port of the adapter into the charging socket on the back of the charging base, and the other end of the adapter into the power socket.

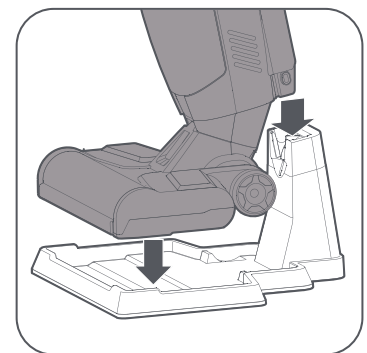
- Hang the rolling brush holder on the right side of the charging base. (as shown in the right figure)



Charge the product

Place the product in the charging base to start charging. (as shown in the right figure)

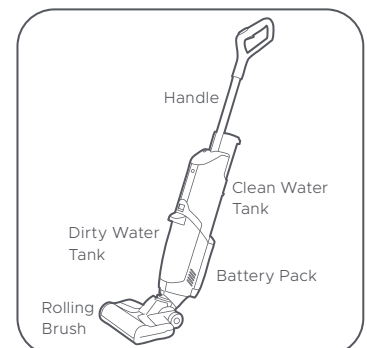
Tip: Please use the original power adapter for charging the product. After the product is fully charged, it automatically powers off and enters the charging protection mode.



Start to use

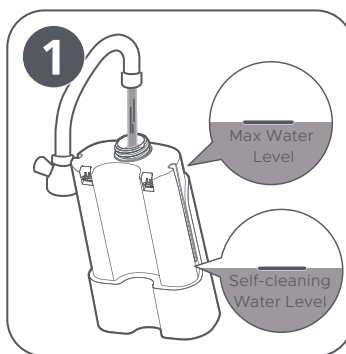
Inspection before use

Check whether the handle, clean water tank, dirty water tank, battery and rolling brush are installed properly before use. (as shown in the right figure)



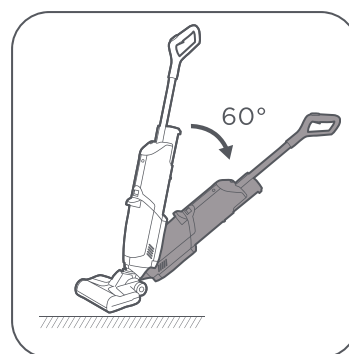
Fill the clean water

Fill the clean water tank with clean water, tightly screw the cover, and then install the clean water tank.



Turn on

Step on the bottom cover, hold the handle and pull it backwards to tilt the main body to a proper angle, and press the On/Off key to start working. (as shown in the right figure)

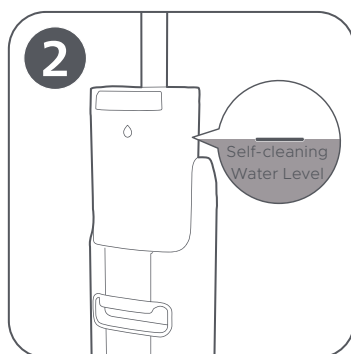
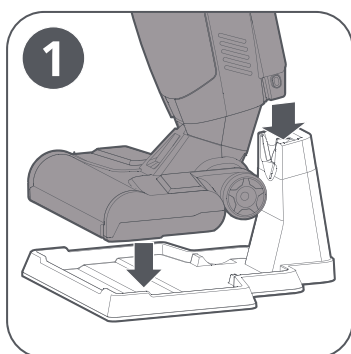


Self-cleaning

Place the product in the charging base for charging, and ensure that there is sufficient water in the clean water tank, which is not lower than the self-cleaning water level. Press the Self-cleaning key to start self-cleaning, and the product will automatically enter the charging state after cleaning is completed. (as shown in Figures 1, 2 & 3)

Tip:

1. Do not use bubble cleaning agent in the cleaning process, to avoid "Faulty alarms" of the dirty water tank and water inflow of the fan caused by a large amount of foam;
2. Carefully observe the dirty water tank in the cleaning process, to avoid "Faulty alarms" caused by suspended objects blocking the sensor;
3. Do not push and pull the product quickly in the cleaning process, to avoid water intake of the fan;
4. Before cleaning, open the filter cotton on the top cover of the dirty water tank and check whether there is dirt, to avoid blockage of the air duct which affects the detection of full water;
5. Turn off the power supply of the product before charging it.
6. After self-cleaning, immediately clean the dirty water tank, to prevent peculiar smell.



Cleaning & Maintenance

Before maintenance, remove the power plug from the socket, turn off the power supply, and remove the battery from the product.

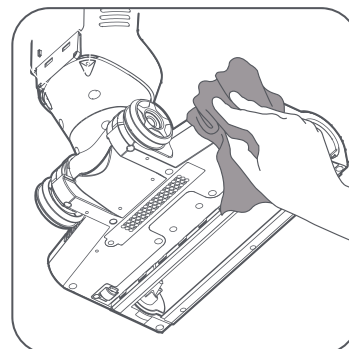
Maintain the main body

For daily maintenance, gently wipe the main body with dry cloth. Do not rinse the main body with water.

Maintain the foot

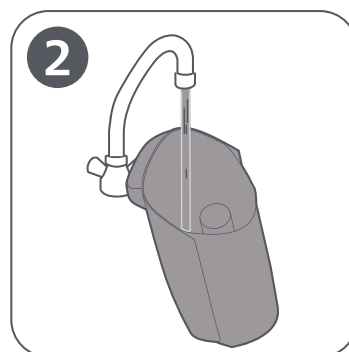
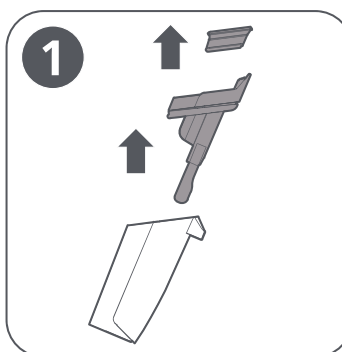
Before maintenance, turn off the power supply, and remove the battery, clean water tank and dirty water tank.

Wipe the roller, scraper and infrared induction lamp with wet cloth. (as shown in the right figure)



Clean the dirty water tank

Remove the dirty water tank, open the top cover, and rinse the interior of the dirty water tank with clean water.

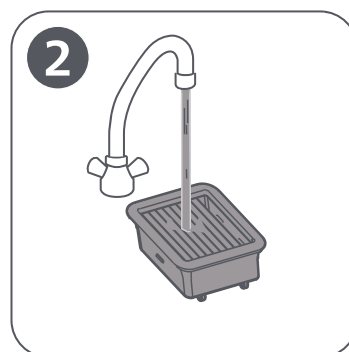


Clean the float, filter element and filter net

Remove the filter screen from the top cover of the dirty water tank, and rinse the float and filter element and filter net with clean water. After cleaning, place them on the air vent to dry them. (as shown in the right figure)

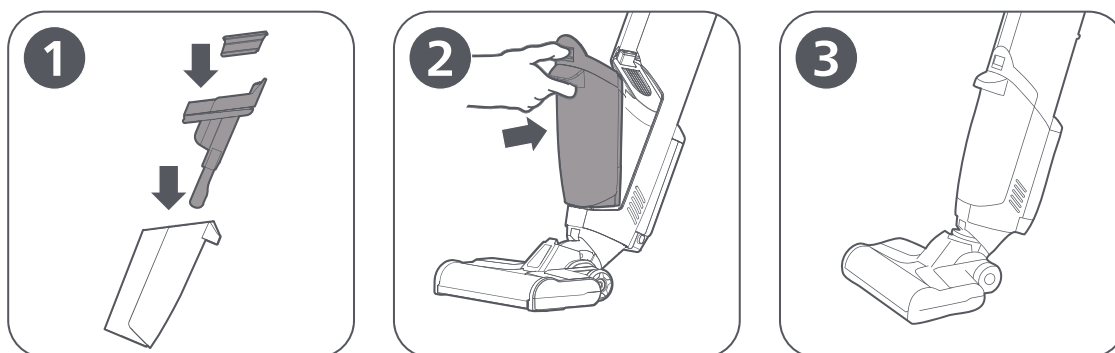
Tip:

1. Users are recommended to replace the filter net every six months.
2. It takes longer time to dry the filter net. Use two filter nets alternately.
3. Do not touch the filter net surface with hands, brushes or sharp objects, to avoid damage to the filter net.



Install the dirty water tank

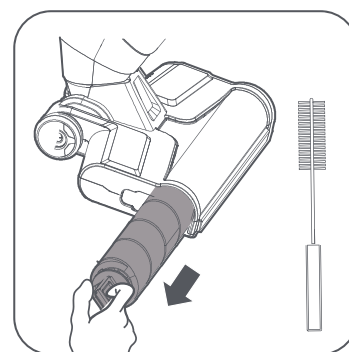
Put dry filter and filter net into the top cover of the dirty water tank, and then install the top cover on the dirty water tank. Finally, tightly install the dirty water tank back to the main body.



Clean the rolling brush

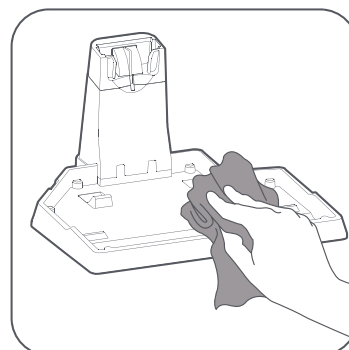
Remove the rolling brush as described in the "Dismantle and install the rolling brush" on Page 9, clean away the hair or debris on the brush head with the cleaning tool provided together with the product, and then clean the brush with water. After cleaning is completed, install the rolling brush as described in the "Dismantle and install the rolling brush" on Page 11.

Tip: After cleaning is completed, it is recommended to dry the rolling brush before using it again. It is recommended to replace the rolling brush every six months.



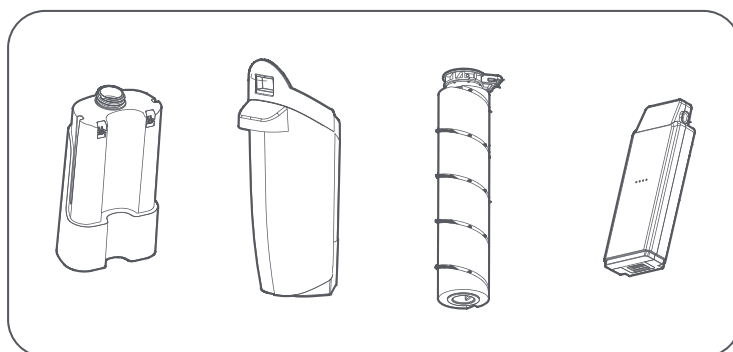
Clean the charging base

Remove the power adapter before maintenance. Wipe the charging base with wet cloth, but not wipe the adapter near the charging port with wet cloth. Use the charging base only after it dries.



Storage

Clean the clean water tank, dirty water tank and rolling brush, dry them, and then store them separately. Fully charge the battery, remove the battery and place it separately. To avoid damage to the battery, fully charge the battery at least every three months. Store the battery at a dry and ventilated place where there is no direct sunlight.



Clean water tank alarm calibration

1. Turn off the power, dismantle the clean water tank;
2. Turn on the power, press the “Spray Key” until the clean water shortage indicator is flashing, then turn off the power.
3. Press “On/Off Key” and “Switch Key” at the same time until the display blinks twice.



Fault Code

Fault Code	Cause	Solution
FF:01	Overvoltage when the product is charged	Replace the charger
FF:02	Overcurrent when the product is charged	Replace the charger
FF:03	NTC open circuit/short circuit	Replace the battery pack
FF:04	The line breaks in the battery pack	Replace the battery pack
FF:05	Too low voltage in the battery pack	Replace the battery pack
FF:06	Too big voltage difference in the battery pack	Replace the battery pack
FF:07	Too high discharging temperature	The battery pack is at a high temperature. Wait until the battery pack's temperature drops before charging it again
FF:08	Too high charging temperature	The battery pack is at a high temperature. Wait until the battery pack's temperature drops before charging it again
FF:09	Too low charging temperature	The battery pack is at a high temperature. Wait until the battery pack's temperature drops before charging it again
FF:10	Overcurrent at the rolling brush	Check whether there is any foreign matter at the rolling brush, and clean it away, if any
FF:12	The dirty water tank is not installed properly	Install the dirty water tank properly before using the product again

Troubleshooting

This chapter summarizes some common problems occurring in the use of the product. If you cannot solve a problem according to the following information, please contact our after-sales service personnel or the customer service center in your country/region.

Fault	Cause	Solution
	The dirty water reaches the max level in the dirty water tank	Clean the dirty water tank
The main body does not work	The rolling brush is intertwined	Clean the floor brush
	The rolling brush is not installed	Install the rolling brush as described in the "Dismantle and install the rolling brush" on Page 25
The product cannot be charged properly	The main body cannot contact the charger correctly	Check the charger and the port on the main body
The floor brush cannot spray water properly	The clean water tank is not installed properly	Install the clean water tank properly
There is water in the vent outlet	No filter net is installed in the dirty water tank	Install a filter net as described in the "Install the dirty water tank" on Page 28
		Remove the filter net and dry it at a ventilated place as described in "Clean the float/filter element/filter net" on Page 27. Install the filter net as described in the "Install the dirty water tank" on Page 28
Indicator of clean water flashes, but the clean water tank is full	Not calibrated	Please refer to Page 29, and readjust machine according to "Clean water tank alarm calibration"
The floor brush cannot spray water properly	There is not enough water in the clean water tank	Fill water in the clean water tank
	The clean water tank is not installed properly	Install the clean water tank properly
There is not enough water in the dirty water tank, but the product gives a warning for full water	The filter net is blocked	Clean the filter net
	The filter net is too damp	Naturally dry the filter net and then use it again
The LED displays FF:01	The battery is at a too high temperature	Wait until the battery's temperature drops before using it again
The product shakes heavily	The rolling brush is not installed properly	Install the rolling brush as described in the "Dismantle and install the rolling brush" on Page 25

Basic Parameter

Product name	Multi-surface dry wet vacuum cleaner	Product model	B61-B
Rated voltage	DC 25.2V	Rated frequency	150W
Charging voltage	DC 30V	Charging current	0.8A
Rated Input of Adapter	100-240V~ 50-60Hz 0.8A MAX		

After-sale Service

Please visit the official website at <http://tokitglobal.com>, if you need after-sales service or other information, or encounter any problem.