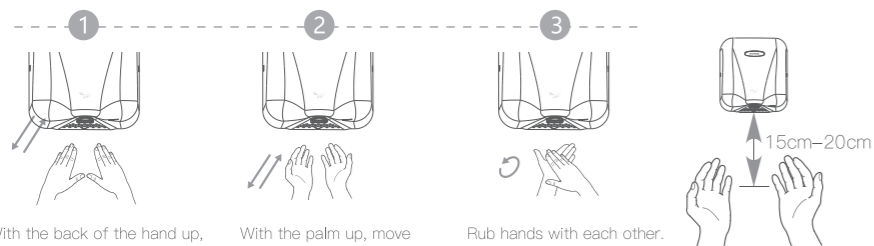


Test run

Step	Check	Result
Gently shake the machine by hand	The machine is installed firmly without shaking	The installation of the machine is not firm, and vibration or abnormal noise will occur during work;
Confirm the power supply voltage	Please use the rated voltage	Improper use of voltage will burn out the machine or cause personal accidents;
Turn on the power	Close the external power switch or plug in the power plug	The power socket must match the machine plug, please check the power supply when the indicator light is off;
Dry hands	High-speed wind blows out	If there is no wind, please confirm whether the hand is too far from the induction part.

Instruction

- When the hand is within about 15–20cm below the air outlet, the machine will automatically start the high-speed wind. When using, you can adjust the distance between your hands and the air outlet by yourself until your hands are dried. After the hand leave the air outlet for about 0.5 seconds, the machine stops working immediately.
- In order to avoid abnormal startup caused by the object passing through the induction area, the sensor needs to be activated after 0.2 seconds of induction.
- After the hand dryer runs continuously for more than 45 seconds, it will automatically stop working to avoid the continuous operation of the machine due to other objects attached to the sensor.



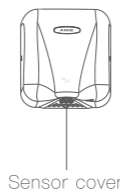
Routine Maintenance

Maintenance of the outside of the machine

Wipe with a wrung soft cotton cloth or towel. If it is too dirty, it can be wiped with a cotton cloth moistened with neutral detergent. When removing dirt from the sensor part, turn off the power to avoid malfunction.

⚠ Please use neutral detergents, please do not use organic solvents, acidic or alkaline toilet detergents, brushes, etc. for cleaning. Otherwise, the surface finish or discoloration of the machine will be damaged. Only the part where the hand reaches can be cleaned and disinfected with disinfectant alcohol (concentration below 83%).

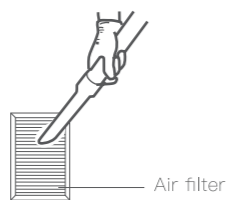
⚠ Please do not use alcohol on other surfaces, if using chemical wipes, please confirm the precautions for use.



Sensor cover

Cleaning the air filter

- Open the air intake grille and take out the air filter
 - Cleaning the air filter
 - Beat it lightly by hand or use a vacuum cleaner
 - It can also use hairbrush to wipe off dust
 - Air filter can directly be cleaned with water, reuse after dry.
 - Reinstall the machine as it is, cover the air intake grille
- Cleaning cycle: when the wind speed drops significantly.



Air filter

Cautions

<p>Prohibited</p>	<ul style="list-style-type: none"> Do not open the front panel — Otherwise it may cause electric shock risk. Do not let children hanging on the unit — Otherwise the unit may be risk of falling. Do not place other items on the machine 	<p>Warning Improper use may result in personal injury accidents.</p>
<p>Prohibited the use in bathroom and showers</p>	<ul style="list-style-type: none"> Do not use in places where water is directly splashed or in places where it is prone to freezing — Otherwise It may cause electric shock and unit malfunction. 	
<p>Do not spray water</p>	<ul style="list-style-type: none"> Do not splash water — Otherwise it may cause electric shock risk. 	
<p>Prohibition of disassembling</p>	<ul style="list-style-type: none"> Do not reform and perform unnecessary disassembling — Otherwise it may cause fire, electric shock and injury accidents. 	
<p>Please follow with instructions</p>	<ul style="list-style-type: none"> Power must be turn off during maintenance — Otherwise it may cause electric shock risk. Please use rated voltage — If the rated voltage exceeds $\pm 10\%$, the unit will malfunction. It may cause fire, electric shock and unit malfunction if an incorrect power source is used. Use fixed lines — If used in combination with other appliances, it may cause abnormal heat in the shunt outlet and cause fire. If the unit is not working or have abnormal conditions, Please cut off the power supply and turn off the leakage circuit breaker to prevent accidents, then contact the supplier to check or maintenance. — Otherwise it may result in fire accidents due to electric shock, leakage, and short circuit. 	
<p>Connect the ground wire</p>	<ul style="list-style-type: none"> There must be a reliable grounding wire for the installation of the machine — otherwise, there may be a danger of electric shock when the machine fails or leaks. 	
<p>Warning</p>	<ul style="list-style-type: none"> Leakage circuit breaker must be installed — Otherwise it may cause electric shock risk. If the cord is damaged, it must be replaced by the manufacturer or professional to avoid risk. It must operated by the professional construction person when install the unit — Incorrect construction may cause electric shock and fire accidents. 	

Specification

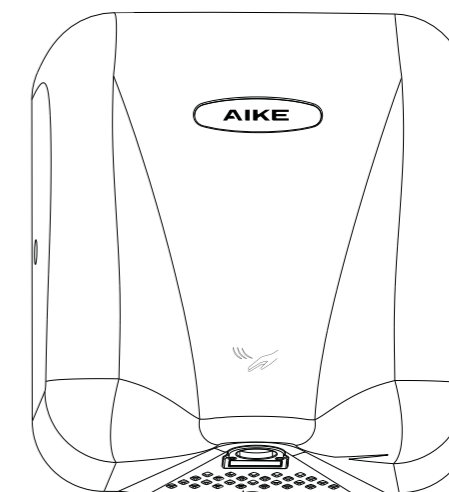
Dimensions	295*170*320mm
Net Weight	4.5kg

Rated Voltage	AC100–130V	Motor	Brush motor
Rated Input Power	1200W–1450W	Sensing Distance	15–20cm
Air Speed	70m/s	Waterproof	IP13
Motor Power	550W	Anti-shock Category	I

AIKE

High Speed Hand Dryer | AK2801BH

User Manual



Importer: Zhejiang Aike Appliances Co., Ltd.

Manufacturer: Zhejiang Aike Appliances Co., Ltd.

Yong'an Industry Zone, Xianju, Taizhou City, 317306 Zhejiang, China

Official website: www.aike.com

E-Mail: support@zjaike.com



AK-2801BH-110V-KJYYSMS-001

Troubleshooting

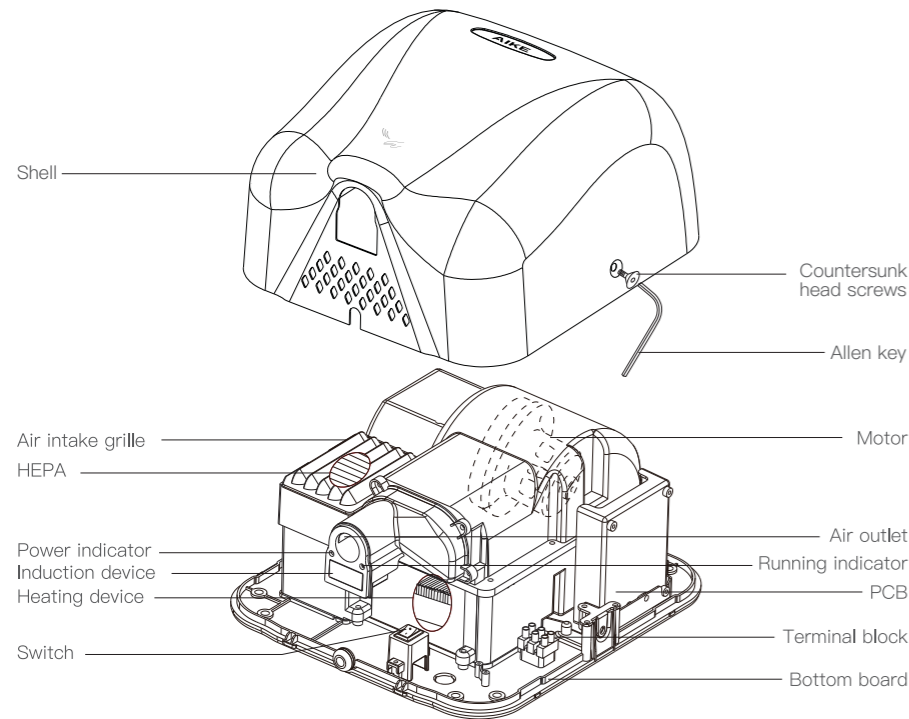
Trouble	Analyze	Solution
The hand dryer does not work	Check the power switch	Turn on the power
	Induction device wire loose	connect the wires
	Induction device failure	Notify after-sales maintenance
The motor does not work	The motor is damaged/there are foreign objects in the wind wheel	
No warm air	Damaged heating element	When the ambient temperature exceeds 25°C, the heating will automatically turn off.
	Whether the room temperature exceeds 25°C	

Note: This product needs to be repaired by professionals of our company. Repairing the machine without any technical assistance may cause damage to parts or personal injury.

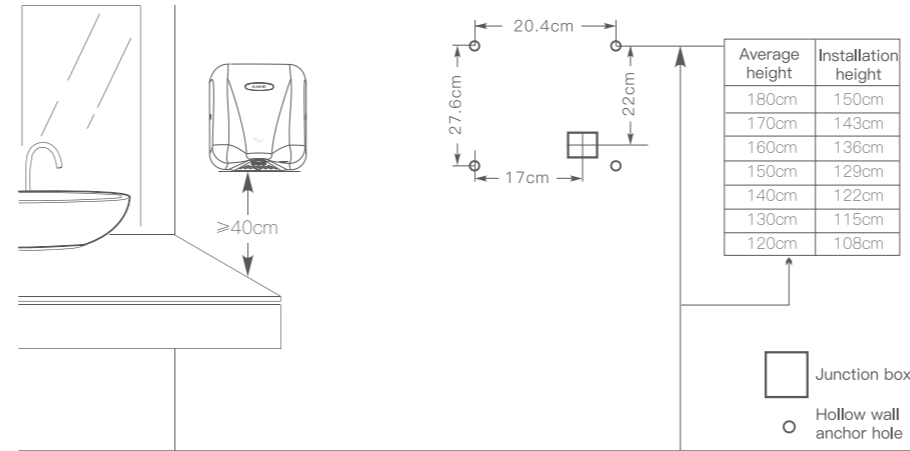
Features

- 304 stainless steel shell, safe, durable and easy to clean.
- Built-in HEPA high-efficiency filter, dry hands are cleaner.
- The technology is smart and warm, the heating system is automatically turned on when the room temperature is lower than 25 °C, and the wind is warm in winter and cool in summer.
- 45 seconds overtime protection, if the machine runs for more than 45 seconds, the machine will automatically stop working. When the hand reaches the induction area again, it will automatically resume work.

Product Introduction



Installation Diagram



- Please choose a flat wall for installation, and avoid locations where people or doors might bump into the unit.
- When installing, the air outlet should be more than 40 cm away from the countertop .If the bottom of the machine is the ground, please refer to the illustration for installation height.
- Please use 1mm²~1.5mm² power cord.

Precautions before Installation

Warning

- Before installation, please make sure that there are no obstacles within 40 cm below the sensor to ensure that the machine will not malfunction;
- Do not install the hand dryer on a wooden or plastic wall, otherwise there is a danger of the machine falling;
- Before installation, please make sure that the power supply used is in line with the specifications of the hand dryer;
- Do not perform installation construction while the product (power cord) is powered on;
- Wear gloves when installing, otherwise there is a risk of injury.
- When installing a hand dryer, please install an earth leakage circuit breaker.

Please do not install in the following places (otherwise it may malfunction)

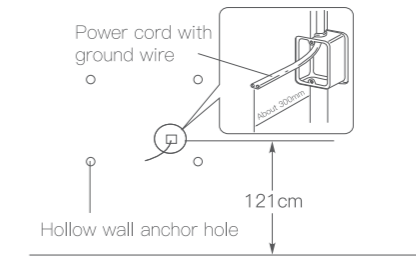
- Places with corrosive, oxidizing and reducing gases;
- Places prone to condensation;
- Places beyond 0~2000m above sea level;
- Places with direct sunlight and strong light;
- Places that can be directly exposed to water;
- Places below -10°C or above 40°C.

Packing List

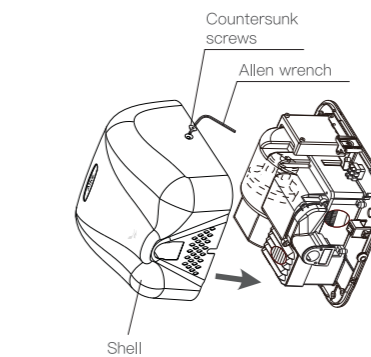
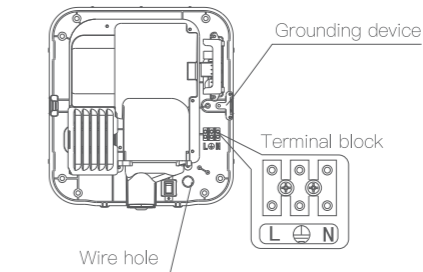
Machine*1	5mm Hollow Wall Anchors*4	5*25 Screw*4
User Guide*1	4mm Allen key*1	

- Before unpacking and installing for the first time, if there is any discrepancy with the packing list, please contact the local dealer or manufacturer in time.
- The specifications of some accessories are subject to change without prior notice. For problems that cannot be solved during installation, please contact the dealer or manufacturer in time. The main components are packaged in special bags, please do not collide or rub excessively when handling and unpacking, so as to avoid damage.

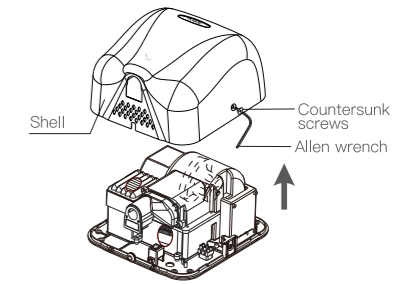
Installation Notes



1. When installing the hand dryer without a junction box, you need to install a standard socket corresponding to the hand dryer on the upper right side of the hand dryer, with a distance of 20–50 cm. If you need to connect the power cord directly, please insert a coverless junction box at the installation location. (If the junction box is not used, the power cord will be squeezed out of the body and affect the installation.)

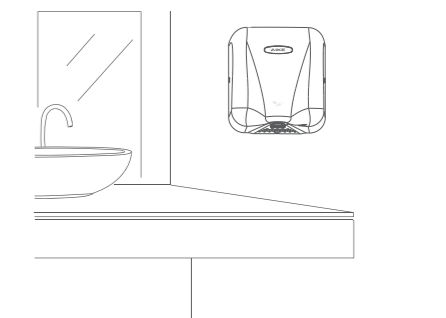


4. Reinstall the shell and screw on the 2 countersunk head screws on the side.



2. Remove the 2 countersunk head screws on both sides of the hand dryer, hold the shell up with both hands and remove it with force. The shell must be kept in a safe place to avoid scratches.

3. Fix the machine to the wall with screws. The power cord is already installed in the machine. If you need to install the junction box, you must remove the power cord, pierce the wire hole with a screw, and pull out the power cord from the wiring hole of the junction box to the terminal block, and install it with the terminal block. (When connecting the wires, the length must exceed the length of the terminal block by 2–4cm, and must be connected to the L point of the live wire, the N point of the neutral wire, and the ground wire (⊕).)



5. Installed.