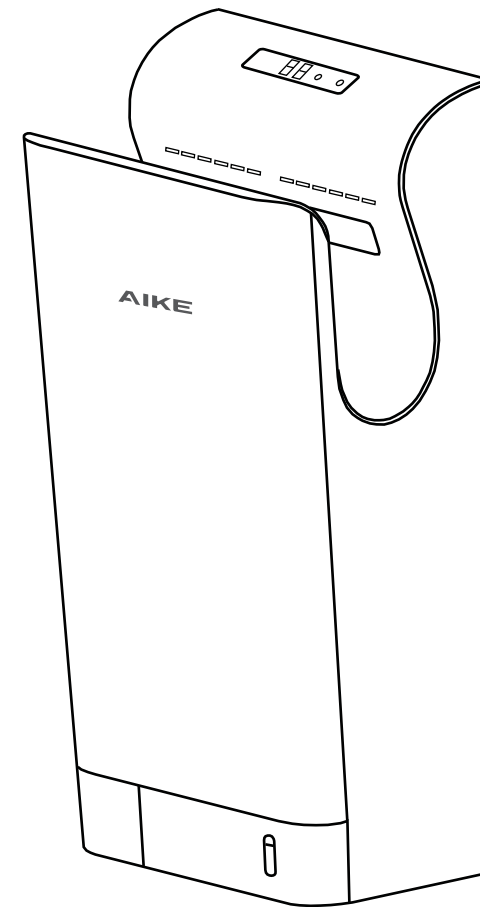


AIKE

Jet Hand Dryer | AK2030

User Manual



Importer:

Zhejiang Aike Appliances Co.,Ltd.

Manufacturer:

Zhejiang Aike Appliances Co.,Ltd.

Yong'an Industry Zone,Xianju,Taizhou City,317306 Zhejiang,China

E-mail:

support@zjaike.com

Website:

www.zjaike.com



AK-2030-120V-KJYYSMS-001

User Manual

Thank you for choosing the AK2030 High Speed Hand Dryer. We are professional on R&D of high-speed hand dryers. AIKE since 1992 focus on high-speed hand dryers for more than 30 years.









Please read this manual thoroughly before using the hand dryer to ensure safe and correct Installation or operation. Please keep this manual in a safe place for reference at a later date.

We hope you enjoy the experience that Ak2030 brings to you. All members of AIKE thank you for choosing us.

Contents

Cautions	2
Instructions	3
Features	3
Method	3
Specifications	3
Parts Name	4
Dimensions	5
Precaution before Installation	6
Installation	8
Test Run	9
Maintenance	10
Troubleshooting	12
Packing List	12
Electrical Schematic	13

Cautions

 Prohibited	<ul style="list-style-type: none"> Do not open the front panel — Otherwise it may cause electric shock risk Do not let children hanging on the unit — Otherwise the unit may be risk of falling 	 Warning Improper use may result in personal injury accidents
 Prohibit the use in bathrooms and showers	<ul style="list-style-type: none"> Do not use in places where water is directly splashed or in places where it is prone to freezing — Otherwise it may cause electric shock and unit malfunction 	
 Do not spray water	<ul style="list-style-type: none"> Do not splash water — Otherwise it may cause electric shock risk 	
 Prohibition of disassembling	<ul style="list-style-type: none"> Do not reform and perform unnecessary disassembling — Otherwise it may cause fire, electric shock and injury accidents 	
 Please follow with instructions	<ul style="list-style-type: none"> Power must be turn off during maintenance — Otherwise it may cause electric shock risk Please use AC power — If the rated voltage exceeds 10%, the unit will malfunction. It may cause fire, electric shock and unit malfunction if an incorrect power source is used. Use fixed lines — If used in combination with other appliances, it may cause abnormal heat in the shunt outlet and cause fire. Drain tank and air filter must be installed before using unit — It may cause leakage or electric shock accidents if water enters the unit. If the unit is not working work or have abnormal conditions, please cut off the power to prevent accidents; and also to turn off the leakage circuit breaker, and then contact the supplier to check or maintenance. — Otherwise it may result in fire accidents due to electric shock, leakage, and short circuit. 	
 Ground	<ul style="list-style-type: none"> It must have a reliable grounding wire — Otherwise it may cause electric shock risk when the unit malfunctions or leakage. 	
 Warning	<ul style="list-style-type: none"> The packaging film can easily cause choking in the baby. Please handle it properly. Leakage circuit breaker must be installed — Otherwise it may cause electric shock risk. If the cord is damaged, it must be replaced by the manufacturer or professional to avoid risk. Children or disabled persons please use this machine with the guidance or assistance of guardians. The company does not provide warranty service for damage caused in harsh environments (such as pickle workshops), malicious cleaning (such as direct water flushing etc.) and other related conditions. If you need repair, please bear the cost yourself. It must operated by the professional construction person when install the unit — Incorrect construction may cause electric shock and fire accidents. 	

Instructions

Features

Brushless DC motor inside, powerful power, fast dry hands within 7 seconds.

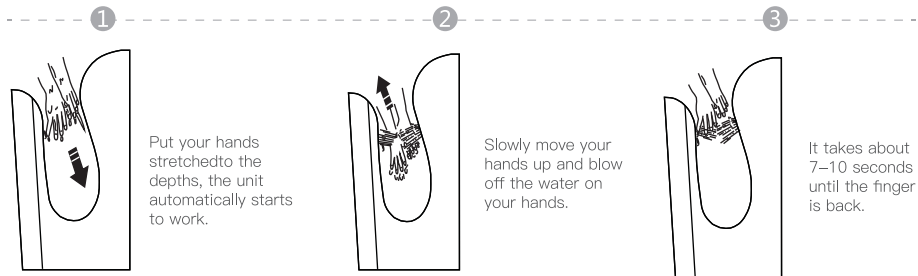
Intelligent temperature control, according to the ambient temperature automatically turn on or off the heating system, cool in winter and summer dry hands more comfortable.

LED countdown design, 10 seconds dry hand countdown, convenient and accurate

Five safety protection: overtime protection, over-current protection, overheat protection, short circuit protection, motor anti-blocking.

Method

1. Put your hands into the dry hand area, the unit will automatically activate high-speed wind, the user can slowly move up and down until dry their hands. When leaving the outlet for about 0.5 seconds, it automatically cuts off the power and stops working.
2. When the hand dryer is running, the LED display starts to count down for 10 seconds.
3. The unit is equipped with a heating switch. When hot air is needed, please turn on the heating switch.
4. When the hand dryer is continuously working for more than 25 seconds, the power will be turn off automatically to prevent the unit from continuing to operate due to the item attached to the sensor. When the hand reaches into the unit again, the unit starts normally.

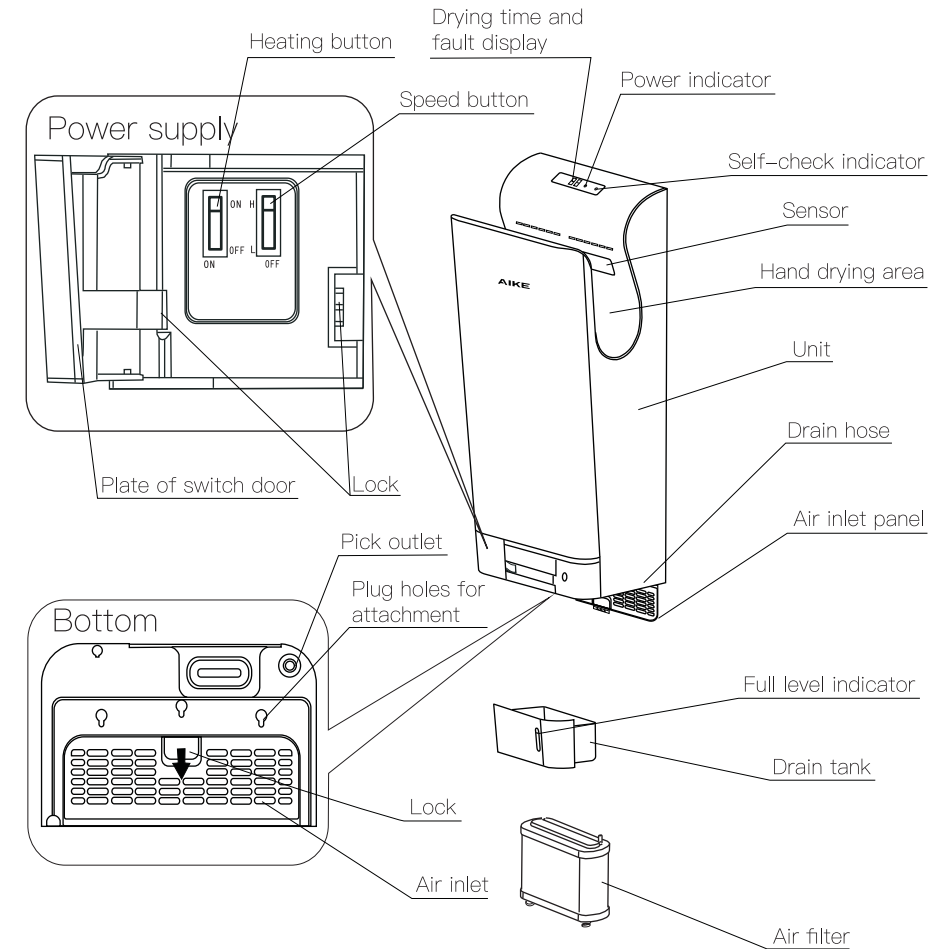


Specifications

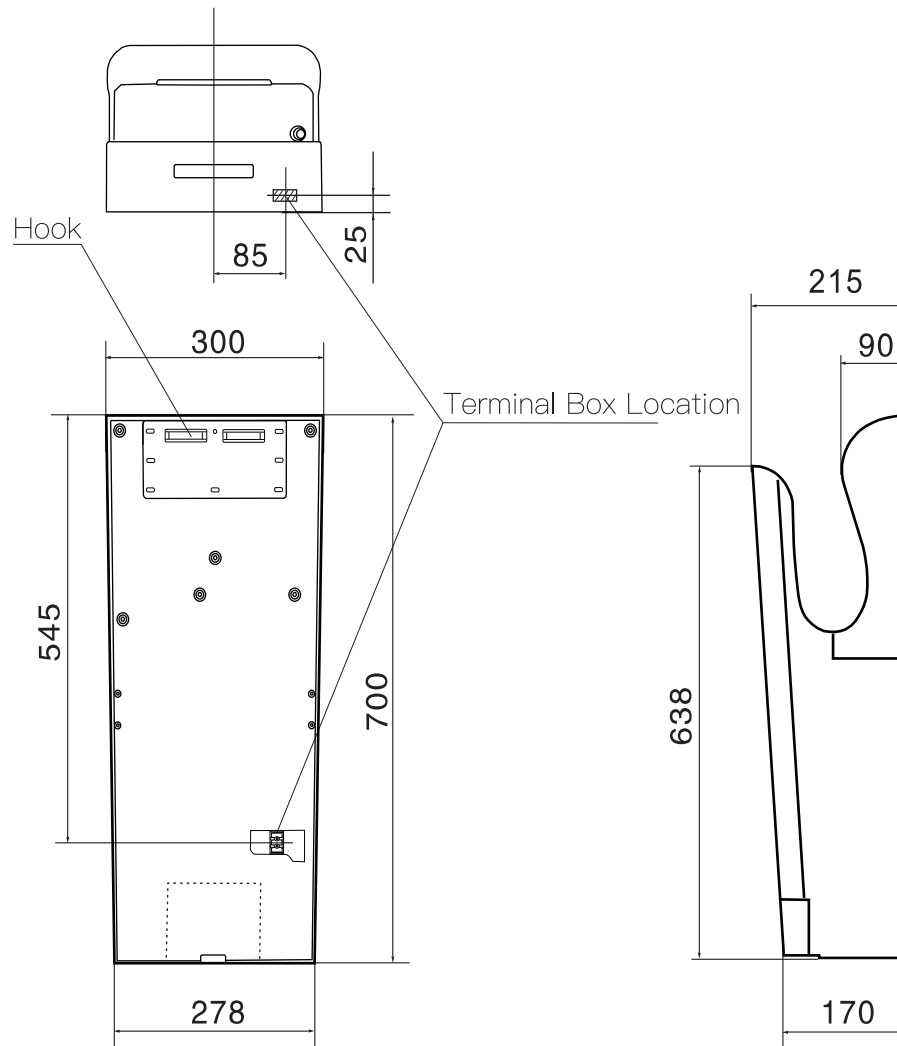
Voltage	AC120V	Motor	Brushless DC motor
Input Power	1700W	Heating Power	950W
Dimensions	300x215x700mm	Net weight	10.4kg
Air Speed	95m/s	Air Temperature	20~40°C
Waterproof	IPX4	Protection Class	Class I

Parts Name

Parts Name



Dimensions



Precautions before Installation

1. Precautions before installation

Do not install the product (power cord) with power on.

When installing the unit, it must be select a suitable place and install it by a professional

— Otherwise there is a risk of injury due to falling of the unit

Wear gloves when installing

— You may be injured if you do not wear gloves



Before installation, please make sure that the power supply provided is in accordance with the specifications of the device.

Install a leakage breaker in the process of installing the hand dryer

2. Do not install in the following types of location (Otherwise this may cause malfunction)

Locations where the temperature can exceed -10°C or 40°C .

Locations where the unit may come into direct contact with water.

Locations where the unit is under direct or strong sunlight.

Locations where easy to condensation.

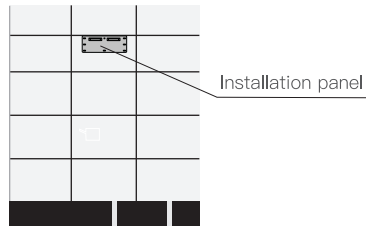
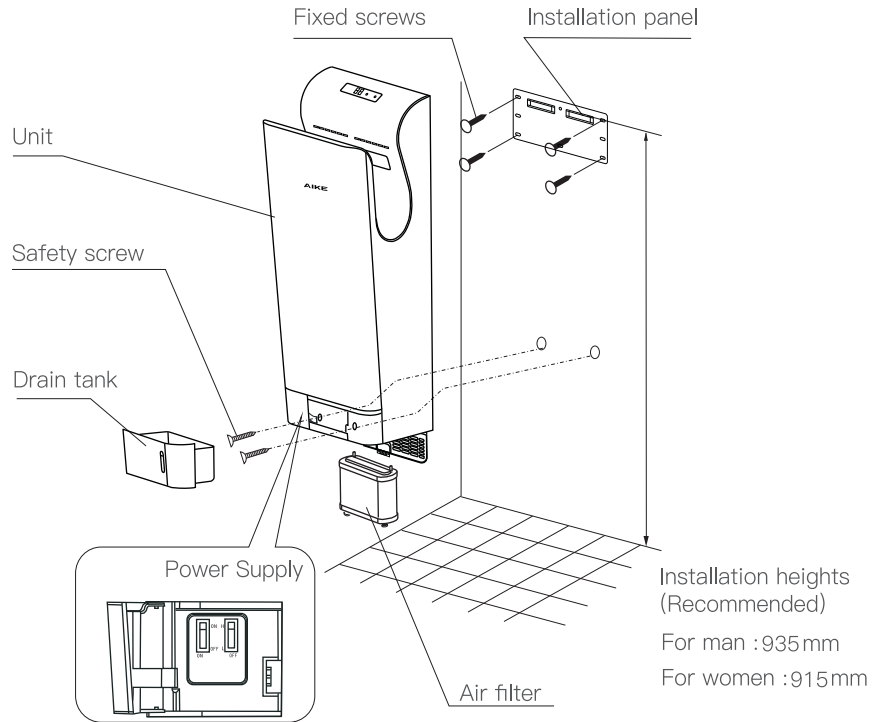
Locations where corrosive, neutral or reductive gases are present.

Locations where sea level lower than 0m or higher than 2000m.

3. Installation location

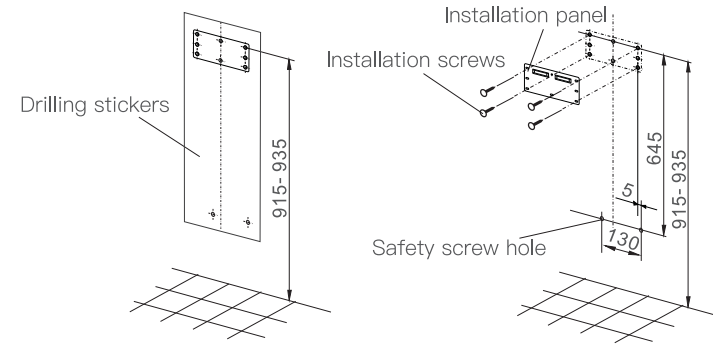
1. Please install the position shown in page 8. If the unit is installed too low, water may get on it when the floor is being cleaned.(The bottom of the unit must be at least 150mm higher than the floor or any objects under it)
2. The left side if the unit must be at least 150mm away from any walls due to the power switch is located on the left.
3. Ensure there are no mirrors or walls near the right side, as drops of water may splatter to the right when drying hands.(Recommended distance is at least 100mm)
4. Avoid locations where people or doors might bump into the unit.
5. Choose a completely flat surface on the wall to install the unit.

Precautions before Installation



Installation Procedures

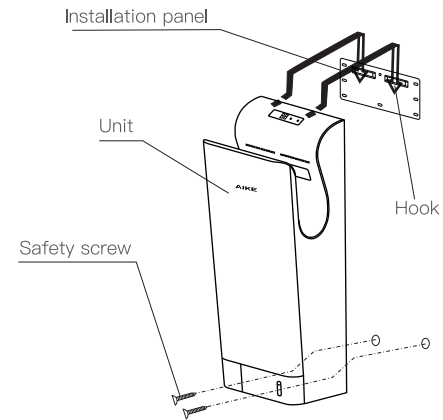
Step One Fixed installation board



Fix the mounting plate to the wall using the accessories (four installation screws) as shown in the figure.

Concrete wall: Please use accessories (expansion tube, expansion screw, etc.) for installation
Non-concrete wall: Please reinforce it before installation.

Step Two Fixed the unit



Hang the pothook on the back of the unit into the hanging through of the install panel and ensure the unit hung stably and close to wall.

Install the anti - thief screws for the unit (2pcs)

Note: The unit must be installed with anti - thief screws, or else it may cause the unit off and be stolen.

Test Run and Maintenance

Test Run

Step	Check	Result
Check the voltage of power supply	Does use the 120V rated voltage?	
Turn the ground — fault circuit breaker on		
Turn the power switch on	Does the power indicator light up?	
Dry hands	Is the air blowing?	
Check the unit	Is the unit installed firmly? Any vibration or strange noise?	

Do not turn the unit power switch on with your hands inside.

If the self-check indicator in the display lights or is flashing, turn off the power switch off, and turn the power back on when all the indicators go off (after 40 seconds).

Cleaning the unit

Before it gets obviously dirty.

The antibacterial coating is effective when the bacteria exposed the coated surfaces.

The antibacterial coating becomes not effective when the surfaces get very dirty.

• Clean the unit with a soft cloth

— If the unit gets very dirty, clean with a soft cloth dampened with neutral agent, then clean with a dry soft cloth.

• Remove the dirty from the sensor

— To prevent malfunction, turn off the power switch.

Warning

Before you clean the unit, turn off the power switch.
Do not splatter water on the unit.

Caution

Wear gloves when cleaning



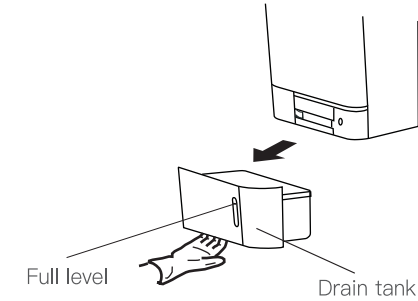
Note

1. Only use the neutral cleaning agents
2. Do not use thinner, acidic or alkaline toilet cleaners, or nylon brush. —Otherwise, they may damage the smoothness of surface)
3. Only use the alcohol to clean the hand — drying area —Alcohol here means the alcohol used for disinfection (The concentration is 83% or below).
4. Do not use the unit outside of the hand — drying area
5. If the chemical cloths used, please read their instructions first.

Maintenance

Draining and cleaning the drain tank

Before it fills up (at least once week)

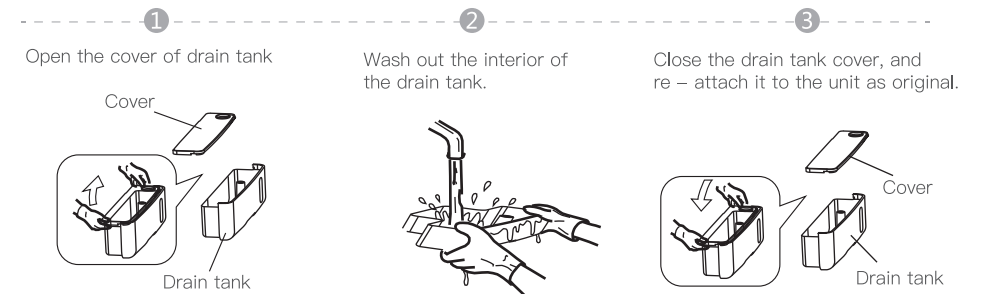


The water blown off the hands is called “ drain tank”.

Empty the drain water at any moment, in order to prevent accumulated water from exceeding the full level.

It will start smelliness if the accumulated water remains in the tank for too long time

Pull the drain tank out in the horizontal direction to ensure the drain water does not splatter out.



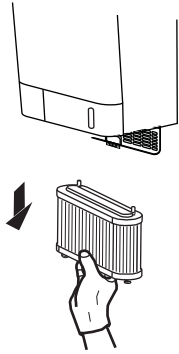
Pull the cover up with your fingers in the two corners of the cover, and then remove the cover completely.

Maintenance

Cleaning the air filter

Around once a week

Remove the air filter



Pull the air filter out by the handle

Cleaning the air filter

1

Beat it lightly by hand or use a vacuum cleaner

2

It can also use hairbrush to wipe off dust

3

Air filter can directly to cleaned with water, re – use after dry.



Re – attach to the unit

Insert it all the way in, unit it stops. (If it is not in place, the dirt or dust will enter the unit and shorten its service life.)

Trouble Shooting

Trouble Shooting

If you discover the following circumstance, please inspection and handling as following:

AK2030 is equipped with the function of intelligent fault self-checking

If a malfunction or abnormality occurs, the (status indicator) located to the right of the self-test section will light or flash.

Dry hand time indication will appear E1 or E2 fault prompts. (For details on troubleshooting methods)

Turn the power switch to (OFF) position, and after confirming that all the indicators are off, turn the power switch on again (ON).

After the above processing, if the self-test indicator light continues to light or flash, you should disconnect the power supply and contact the seller.

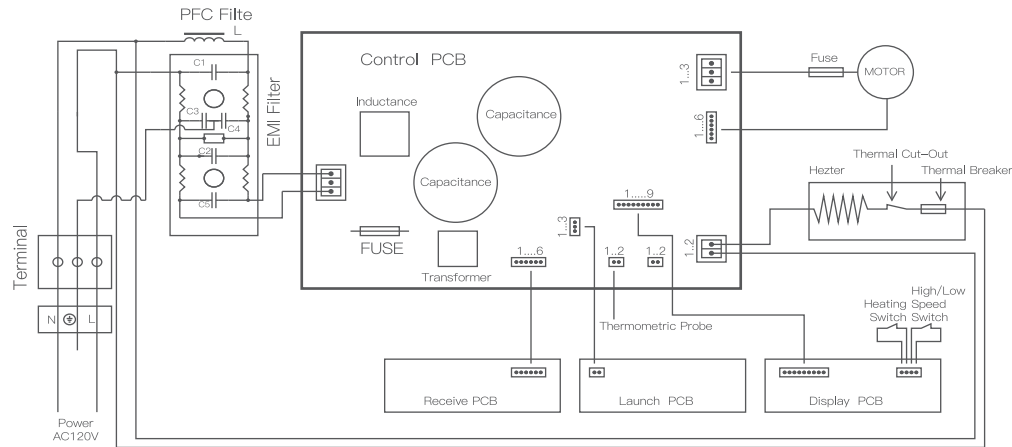
Problem	Check	Action
No air flows if hands are inserted	Dose the display indicators lights up?	Turn the ground — fault circuit breaker on.
	Is the power switch on?	Turn the power switch on.
	Are you putting your hands all the way in?	Put hands all the way in.
Unit works long time after hands drawn out, finally shows E2	Any dirt or foreign body on sensor?	Switch off the power button, and then remove dirt or foreign body on sensor after the power light gone out. When finished, switch on power button.
No hot wind	The unit has heater inside, any dirt on heating sensor?	Is the ambient temperature too high?
	Checking if the internal heating fuse is burned?	Turn off the power switch, removing the front panel and you will see a terminal box inside, then remove the terminal box cover, and you will see a fuse holder, check if the fuse is burnt.
Airflow is too low	Is the speed button on low level?	Put speed button on the high level.
If the above actions do not work, turn off the power and the ground — fault circuit breaker, and call your dealer to inspect and repair it if necessary.		

Packing list

Unit (include HEPA filter) *1	Air filter *1	5mm Expansion pipe*6
5*25 Self — tapping screw *6	Drilling stickers *1	Mounting plate*1
Product certificate (include warranty card) *1		User manual *1

Electrical Schematic

Electrical Schematic



	Status	Introductions	Status	Introductions	Solution
Power indicator light	light	Power normally	Extinguish	Power not supply	Check the external power source, close the power switch
				Master board fuse blew out	
State indicator light	Extinguish	Do not work	Flashing light	Motor fault	Check motor connecting wires and the rotor foreign material, restart to work
	Always light	Working		Trick or working time longer than 25s	
LED screen	Digital changes	Countdown work	Frequency display 88	Indicate drying time finished	
	E1	Motor fault	E2	Trick or working time longer than 25s	Flashing light that the same status indicator
	E3	The voltage exceed 15%	E4	The voltage lower than 15%	Check the power supply circuit
	E5	Machine temperatures higher than 80°C	E6	Master board temperatures higher than 80°C	Clear the foreign material of the air inlet and air outlet
			E8	Fan fault	Check whether the fan sensor connect is loosen