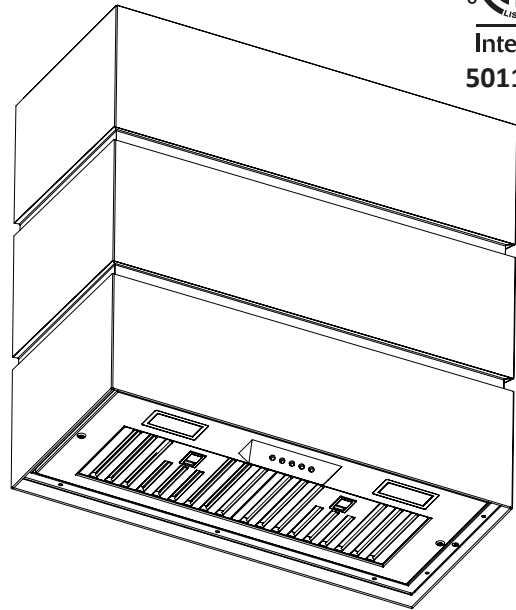
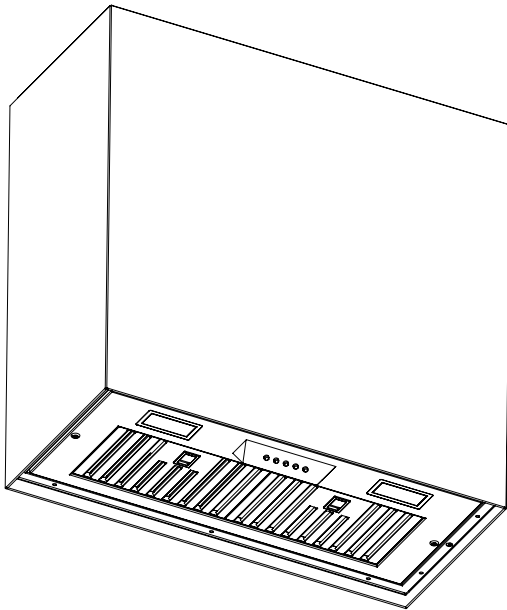


AKICON[®]

Installation Manual MODEL NO.: NX-Hood 30 / 36



MFG PART # :

AK-HS30H-BS AK-HS36H-BS
AK-HS30H-JB AK-HS36H-JB
AK-HS30H-SW AK-HS36H-SW
AK-HS30H-C AK-HS36H-C
AK-HS30H-MG AK-HS36H-MG

AK-HS30L-BS AK-HS36L-BS
AK-HS30L-JB AK-HS36L-JB
AK-HS30L-SW AK-HS36L-SW
AK-HS30L-C AK-HS36L-C
AK-HS30L-MG AK-HS36L-MG



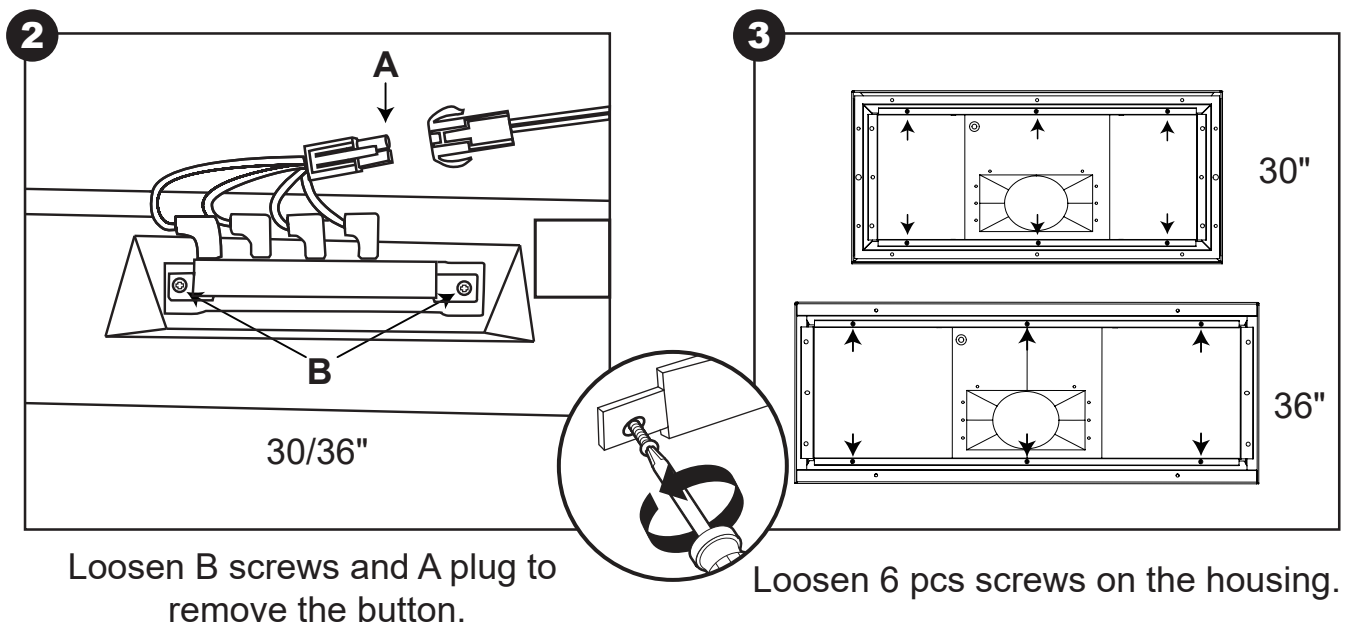
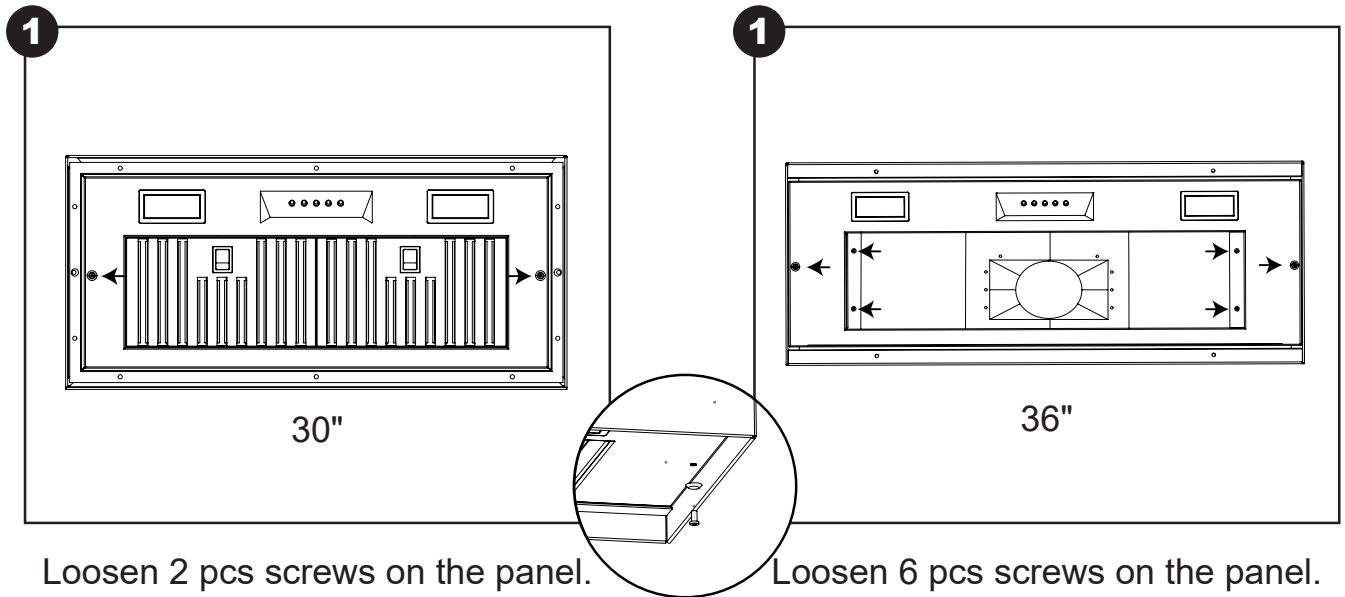
Prior to installation, please read the safety instructions carefully.

This product is designed for two specific ventilation methods: top ventilation and rear wall ventilation. It is not compatible with side cabinet ventilation.

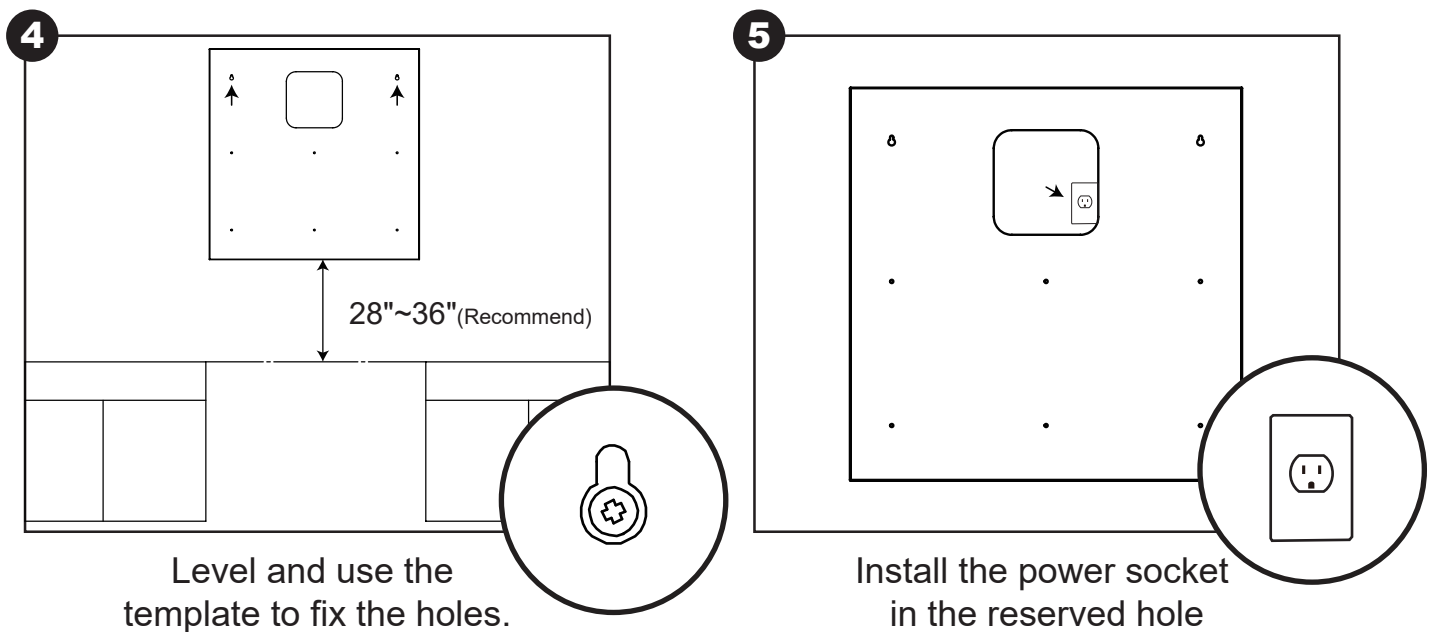
I would recommend conducting an electrical test before installation to ensure that the product functions properly. If you encounter any issues during the installation process, please don't hesitate to contact us at our after-sales service email address: service@akiconshop.com. We will provide you with installation videos for reference.

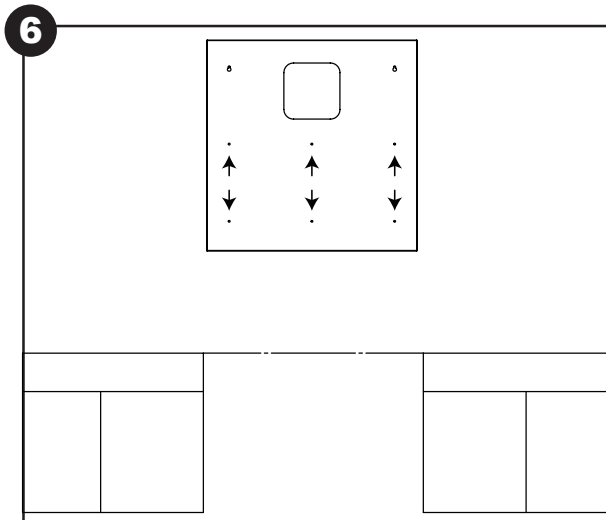
There is an 8-inch pre-drilled hole at the rear of the product. Please ensure that the power panel is positioned to align with this hole. When arranging the placement of the ventilation duct and the power panel, be sure to do so thoughtfully to avoid any conflicts or obstructions.

Step 1: Remove the insert vent from the hood.

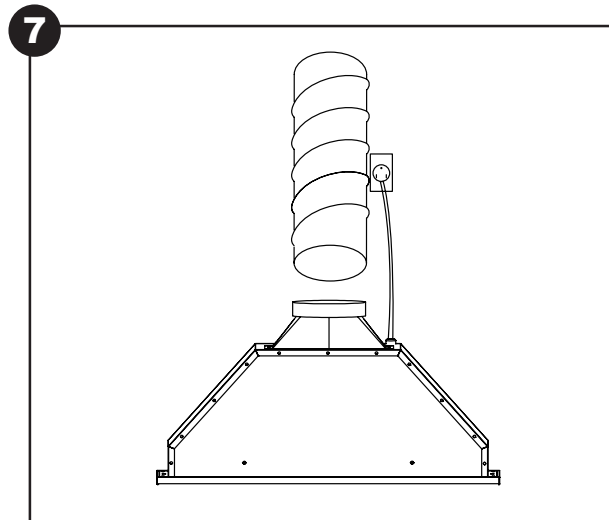


Step 2: Install the hood on the wall.



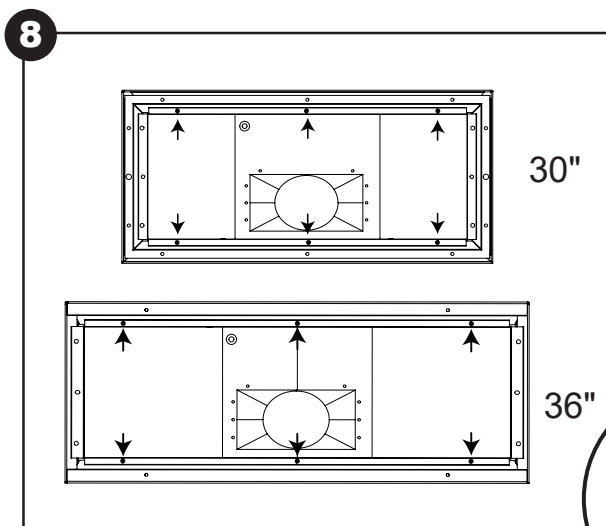


Install the hood on the wall.

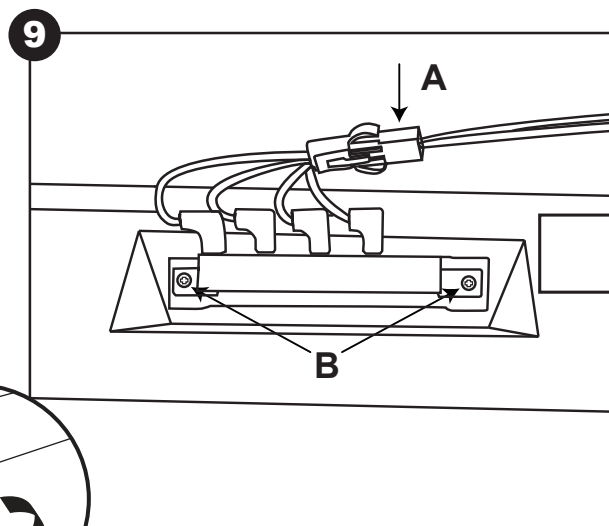


Install ventilation duct and plug in.

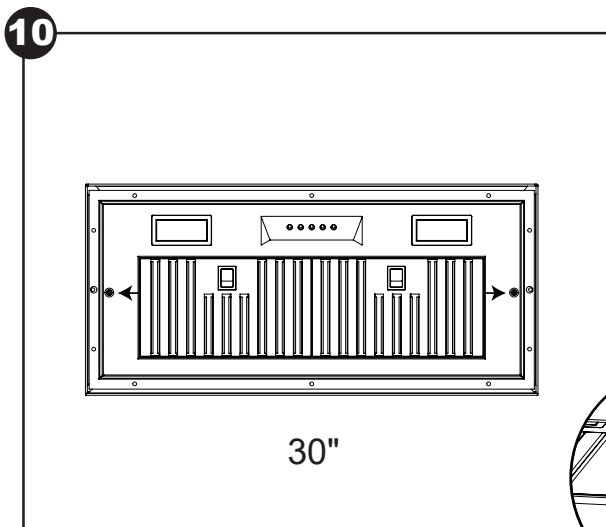
Step 3: Install the insert vent on the hood.



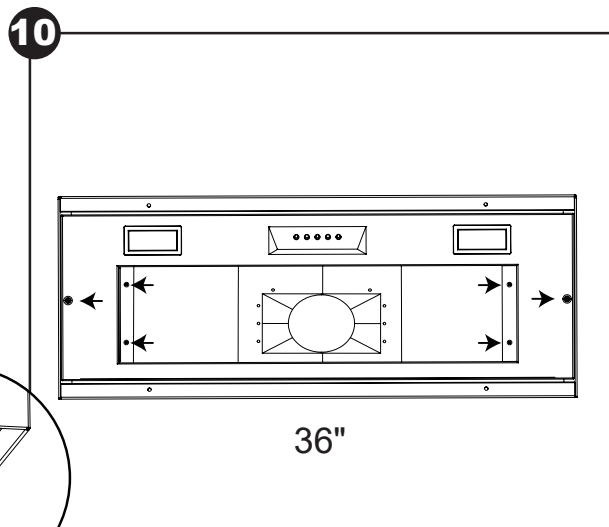
Secure 6 pcs screws on the housing.



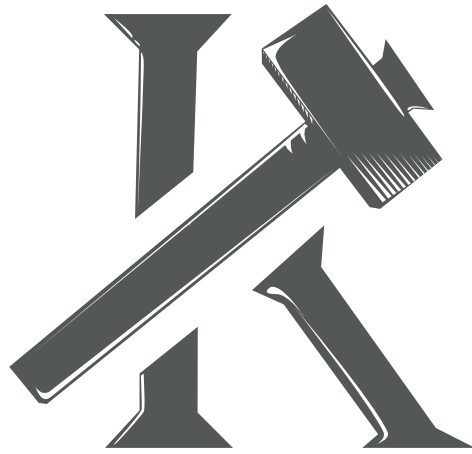
Secure B screws and A plug to reinstall the button.



Secure 2 pcs screws on the panel.



Secure 6 pcs screws on the panel.



Premium Quality



HANDCRAFT AKICON

TO BE A KITCHEN ICON

AKICON INC.

Tel: 1-(302)213-4406

Toll Free Number: 1-(888)-828-2025

Email: service@akiconshop.com

Website: www.akiconshop.com / www.akicon.com

Address: 108 EAST 13TH ST, WILMINGTON, DE 19801 US