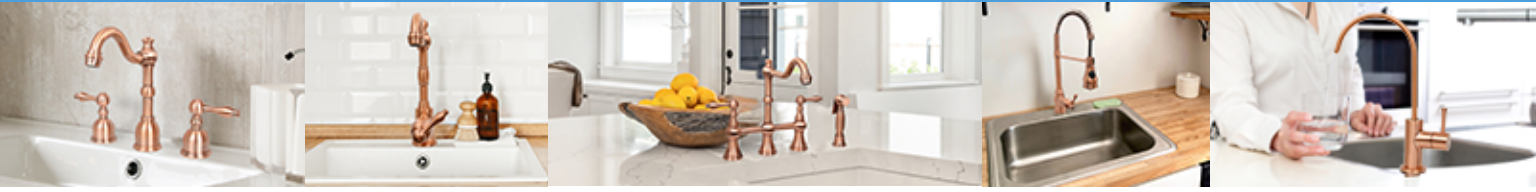


Warranty Information



Akicon® products have been manufactured under the highest standards of quality and workmanship. Most Akicon faucets are backed by a Limited 5-year Warranty. Consult your specific product manual for coverage details.

Limited 5-year Warranty

Akicon warrants to the original consumer purchaser for as long as the original consumer purchaser owns their home (the “Warranty Period” for homeowners) that this faucet will be leak- and drip-free during normal use, and all parts and finishes of this faucet will be free from defects in material and manufacturing workmanship. All other purchasers (including purchasers for industrial, commercial and business use) are warranted for a period of five (3) years from the original date of purchase (the “Warranty Period” for non-homeowners).

To guarantee warranty on your products, simply register your products at www.akiconshop.com

If this faucet should ever develop a leak or drip during the Warranty Period, Akicon will provide FREE OF CHARGE the parts necessary to put the faucet back in good working condition and will replace FREE OF CHARGE any part or finish that proves defective in material and manufacturing workmanship, under normal installation, use and service. Replacement parts may be obtained by calling 1-302-213-4406. Proof of purchase (original sales receipt) from the original consumer purchaser must accompany all warranty claims. Defects or damage caused by the use of other than genuine Akicon parts is not covered by this warranty. This warranty is applicable only to faucets purchased after Oct 2018 and shall be effective from the date of purchase as shown on purchaser’s receipt.

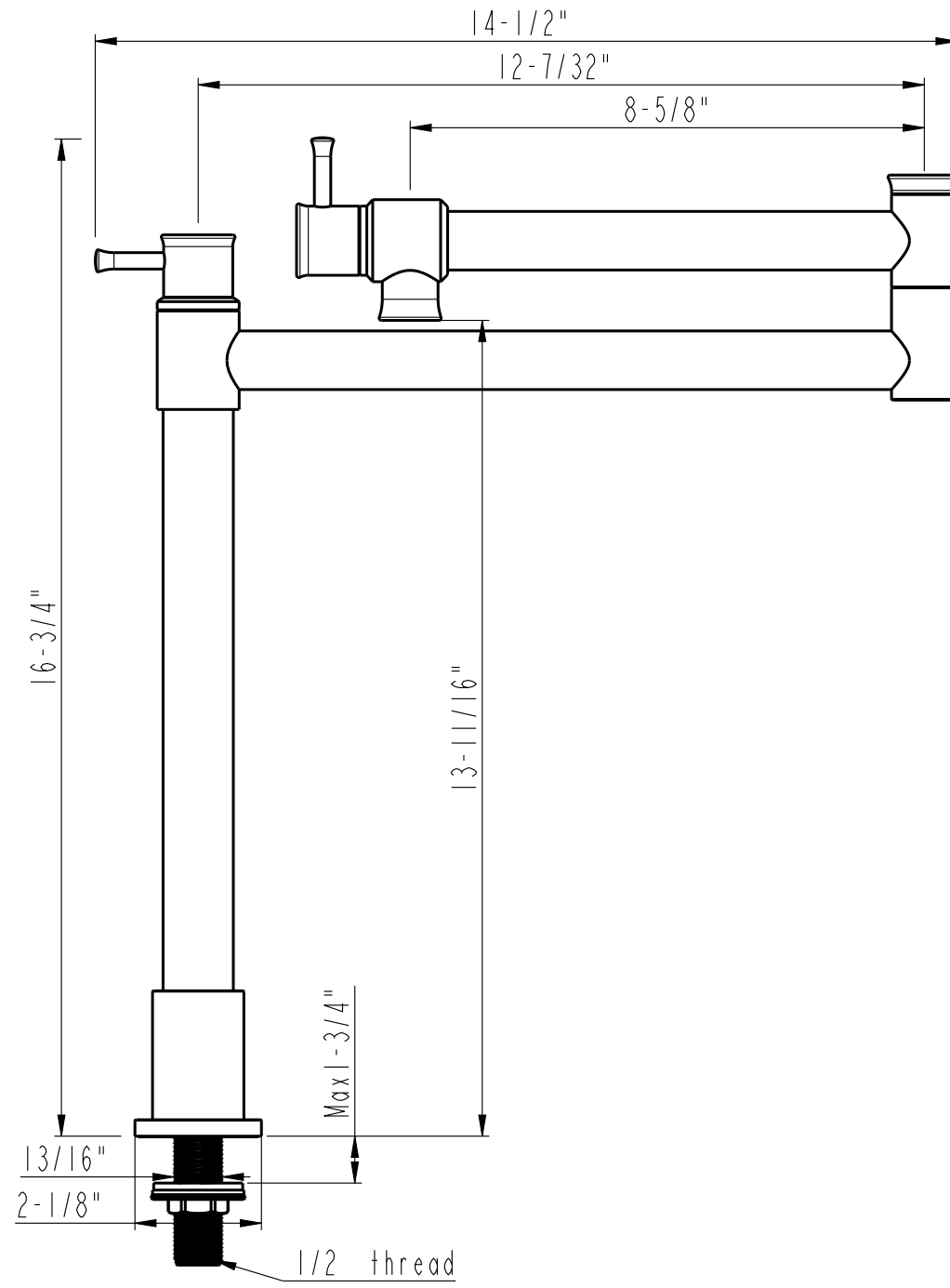
This warranty is extensive in that it covers replacement of all defective parts and finishes. However, damage due to installation error, product abuse, product misuse, or use of cleaners containing abrasives, alcohol or other organic solvents, whether performed by a contractor, service company or yourself, are excluded from this warranty. Akicon will not be responsible for labor charges and/or damage incurred in installation, repair or replacement, nor for any indirect, incidental or consequential damages, losses, injury or costs of any nature relating to this faucet. Except as provided by law, this warranty is in lieu of and excludes all other warranties, conditions and guarantees, whether expressed or implied, statutory or otherwise, including without restriction those of merchantability or of fitness for use.

Some states, provinces and nations do not allow the exclusion or limitation of incidental or consequential damages, so the above limitations or exclusions may not apply to you. This warranty gives you specific legal rights, and you may also have other rights which vary from state to state, province to province, nation to nation. Akicon will advise you of the procedure to follow in making warranty claims. Simply write to Akicon Incorporated using the mailbox below. Explain the defect and include proof of purchase and your name, address, area code and telephone number.

For more warranty information, please visit service@akiconshop.com

In the US:

Akicon Inc
Attn: After-sales department
108 EAST 13TH ST
WILMINGTON, DE 19801



98166-Specifications

CAUTION: Maintenance

1. Replacement parts may be available at the store where you purchased your faucet.
2. Always turn off water and relieve pressure before working on your faucet.

NOTES: Cleaning Instructions

1. To keep the faucet clean, you should clean the faucet frequently and regularly.
2. Clean the faucet with clear water or mild liquid, rinse the faucet with clear water and then dry the faucet with soft cotton cloths.
3. Do not use any abrasive cleansers, cloths, or paper towel.
4. Do not use any acid or abrasive detergent.

TROUBLE-SHOOTING

If you've followed the instruction carefully and your faucet still does not work properly, take these corrective steps.

Problem	Cause	Action
Leaks underneath handle.	Cartridge has come loose.	Tighten the cartridge.
Aerator leaks or has an inconsistent water flow pattern.	Aerator is dirty or worn out or misfitted.	Unscrew the aerator to clean or replace washer, or replace the aerator.
Water will not shut off completely.	Dirty or worn out washer in cartridge.	Remove handle and cartridge to check if the washer is damaged permanently or dirty. Re-install cartridge.

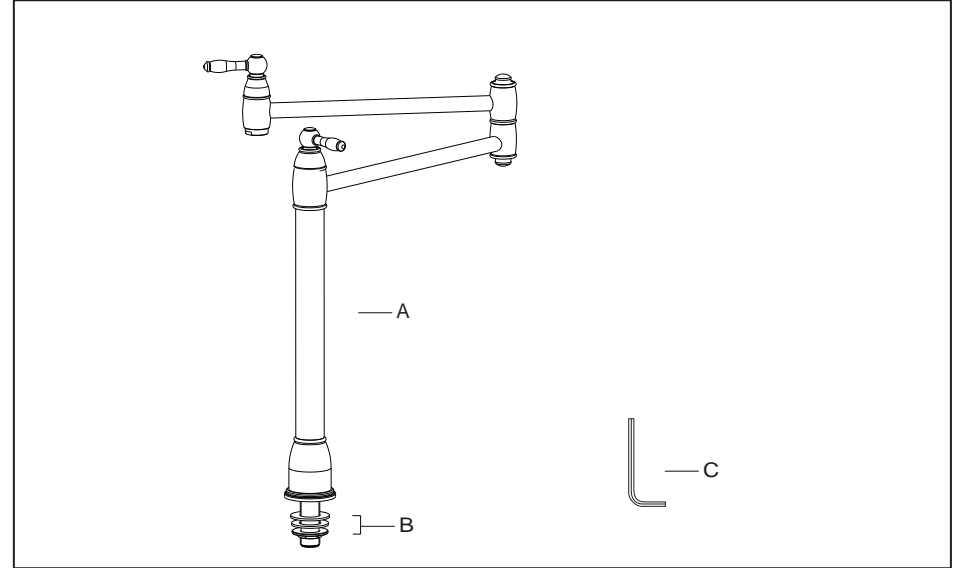
AKICON[®]

Pot Filler Faucet

PACKING LIST

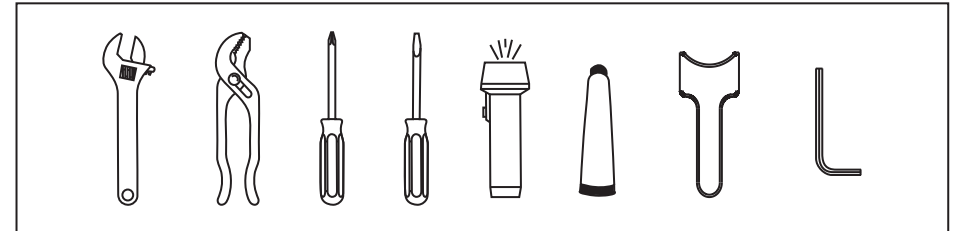
After you open this package, please check to ensure that all of the following items are included.

- A - Faucet B - Mounting Assemblies C - Allen Wrench



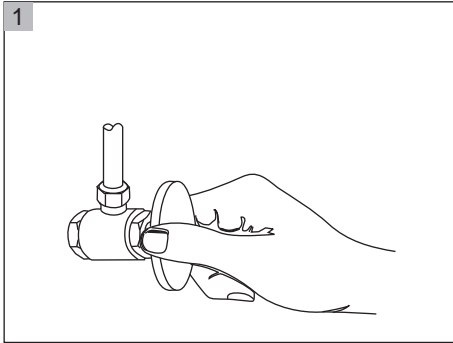
IMPORTANT NOTICES: For easy installation, please read all the instruction completely before beginning. Before installing this product, make sure that water line trash is cleared to avoid blockage.

YOU MAY NEED

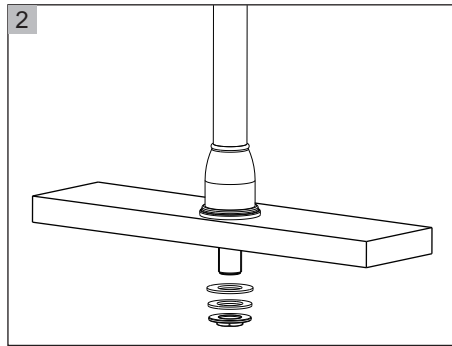


Questions, problems, missing parts?
 call Akicon Customer Service 8 a.m.-6p.m. EST, Monday-Friday
 Phone: +1(302)213 4406, Email: service@akiconshop.com
 AKICONSHOP.COM

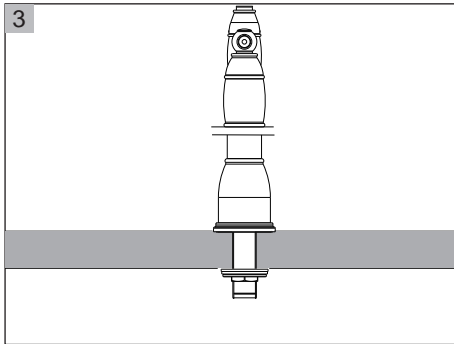
INSTALLATION PROCEDURES



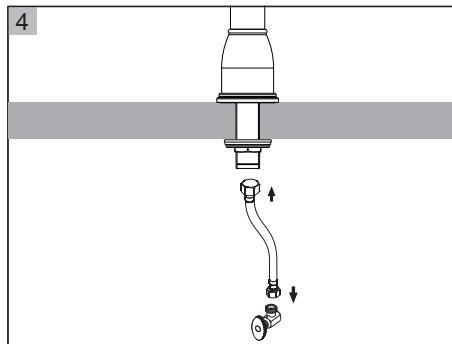
1 You should clean all the dirt from valve outlets. Turning off the water supply valves. This is usually found near the water meter. If you are replacing an existing faucet, remove the faucet from the sink and clean the sink surface thoroughly.



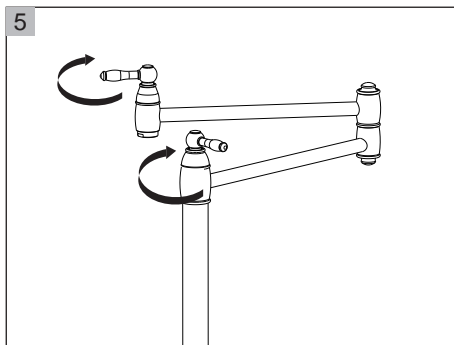
2 Install without Deck Plate. Make sure the O-RING is placed onto the bottom of Base Ring. Install faucet through hole in sink. From underside sink, put Plastic Washer and Mounting Nut. Position faucet on sink properly and tighten Mounting Nut.



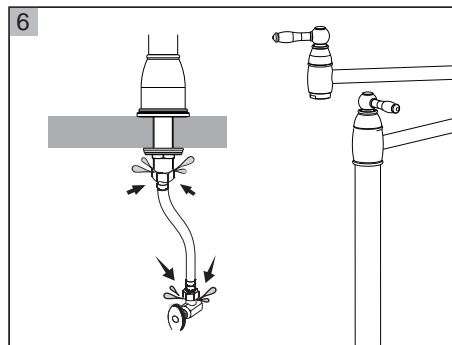
3 If necessary, tighten screws using an adjustable wrench until the faucet is firmly connected to the sink.



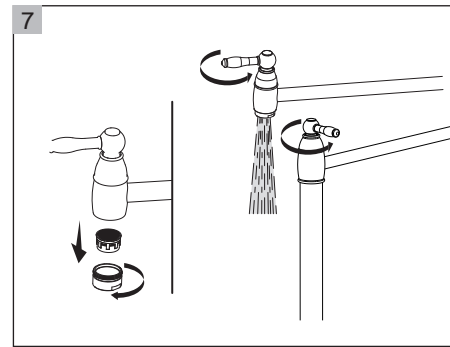
4 Use the flexible hose to connect the faucet to the water supply valve. (Another purchase of flexible hose)



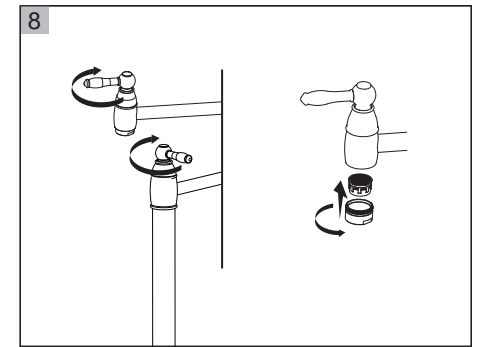
5 Turn both handles fully clockwise to the off position.



6 Turn on the water supply to the faucet and check for leaks.

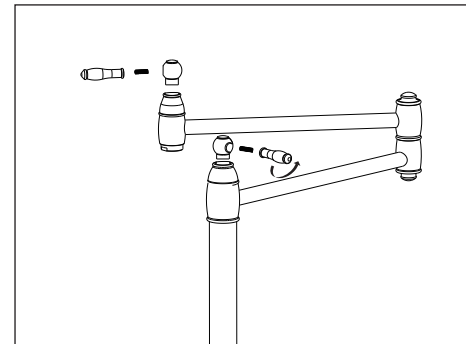


7 Remove the aerator and open both handles to flush debris from the faucet.



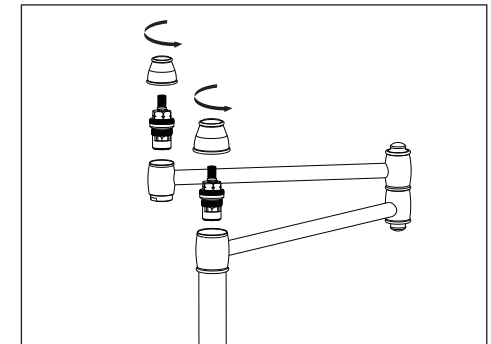
8 Turn off the water and reinstall the aerator.

Handle Removal Maintenance



Unscrew handle counter clockwise by hand, then unscrew Screws using screwdriver, take out handle.

Valve Cartridge Removal Maintenance



Remove handles. Unscrew Dome Cap counter clockwise by hand. Unscrew Retaining Nut using adjustable wrench, take out cartridge assembly and inspect. Replace parts as necessary. Reassemble parts by reversing steps.