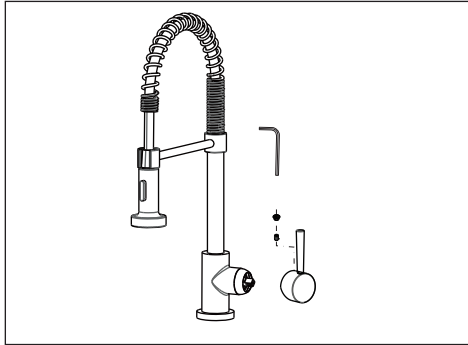


1:3

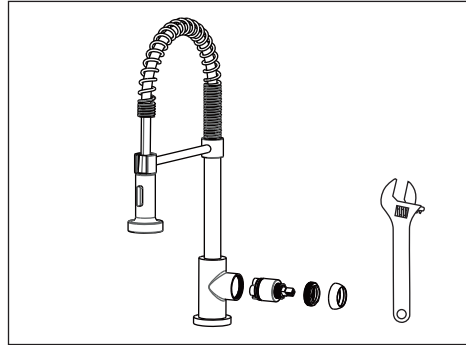
96566-Dimensional drawing

Handle Removal Maintenance



Turn off water and relieve pressure! Detach handle button using a small flathead screwdriver, unscrew set screw using Allen Wrench and take off handle.

Valve Cartridge Removal Maintenance



Remove handles. Unscrew dome cap counter clockwise by hand. Unscrew retaining nut using adjustable wrench, take out cartridge assembly and inspect. Replace parts as necessary. Reassemble parts by reversing steps.

CAUTION: Maintenance

1. Replacement parts may be available at the store where you purchased your faucet.
2. Always turn off water and relieve pressure before working on your faucet.

NOTES: Cleaning Instructions

1. To keep the faucet clean, you should clean the faucet frequently and regularly.
2. Clean the faucet with clear water or mild liquid, rinse the faucet with clear water and then dry the faucet with soft cotton cloths.
3. Do not use any abrasive cleansers, cloths, or paper towel.
4. Do not use any acid or abrasive detergent.

TROUBLE-SHOOTING

If you've followed the instruction carefully and your faucet still does not work properly, take these corrective steps.

Problem	Cause	Action
Leaks underneath handle.	Cartridge has come loose.	Tighten the cartridge.
Aerator leaks or has an inconsistent water flow pattern.	Aerator is dirty or worn out or misfitted.	Unscrew the aerator to clean or replace washer, or replace the aerator.
Water will not shut off completely.	Dirty or worn out washer in cartridge.	Remove handle and cartridge to check if the washer is damaged permanently or dirty. Re-install cartridge.

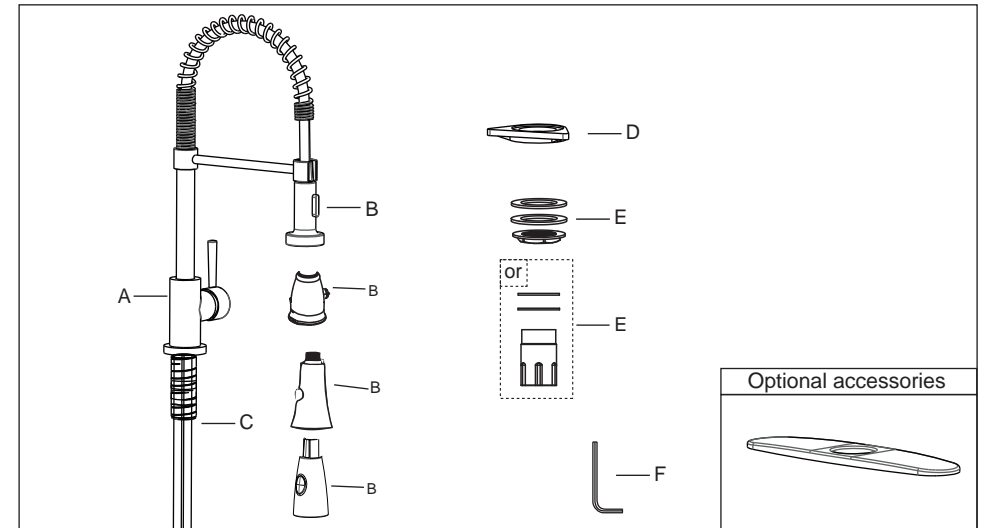
AKICON[®] Spring Kitchen Faucet

Model: 96566
96518

PACKING LIST

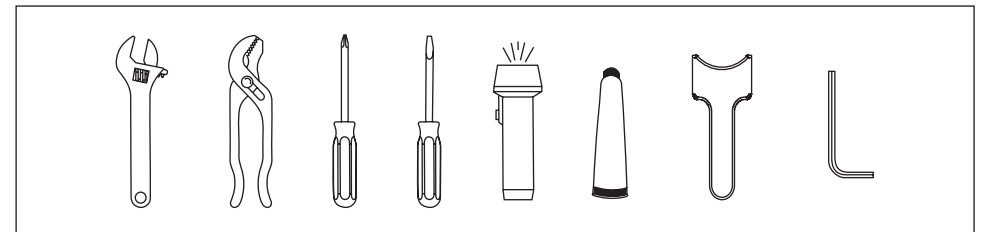
After you open this package, please check to ensure that all of the following items are included.

- A- Faucet B- Spray Head C-Flexible Hoses(2) D-Plastic Support
E-Mounting Assembly and Washer F-Allen Wrench



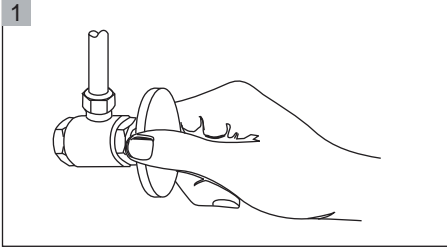
IMPORTANT NOTICES: For easy installation, please read all the instruction completely before beginning. Before installing this product, make sure that water line trash is cleared to avoid blockage.

YOU MAY NEED

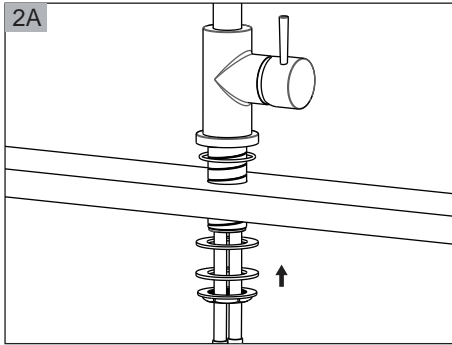


Questions, problems, missing parts?
call Akicon Customer Service 8 a.m.-6p.m. EST, Monday-Friday
Phone: +1(302)213 4406, Email: service@akiconshop.com
AKICONSHOP.COM

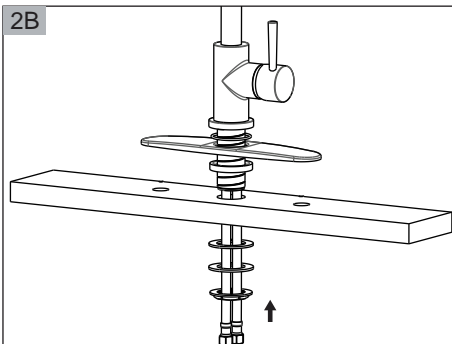
INSTALLATION PROCEDURES



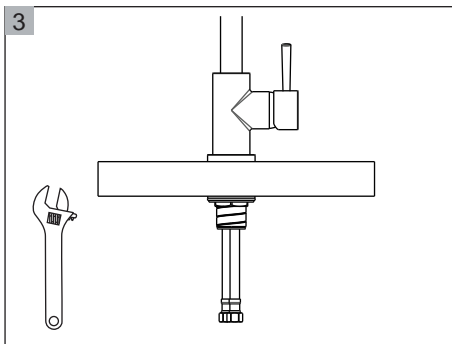
1 Remove any debris from valve outlets. Turning off the water supply valves.



2A Install without deck plate. Make sure the O-ring is placed onto the bottom of base ring. Install faucet through hole in sink, position faucet on sink properly and tighten the nut from underside of the sink.

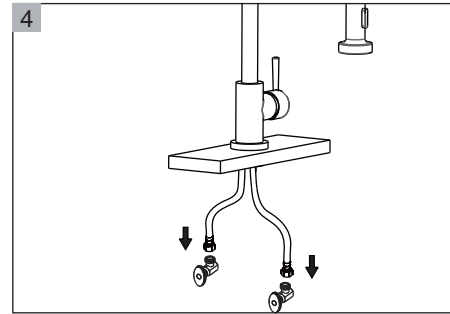


2B Install with deck plate. Position deck plate onto sink. Make sure the O-RING is placed at the bottom of the faucet base. Install faucet through hole in deck plate. From underside of sink, attach mounting assembly. Position faucet on deck plate properly and tighten Mounting Nut.

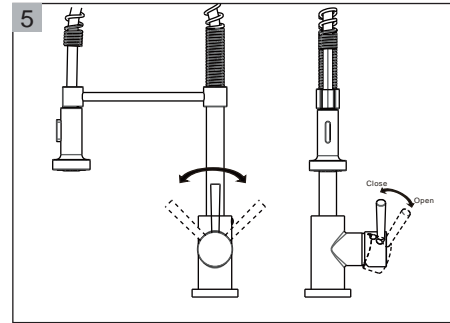


3 If necessary, tighten screws using an adjustable wrench until the faucet is firmly connected to the sink.

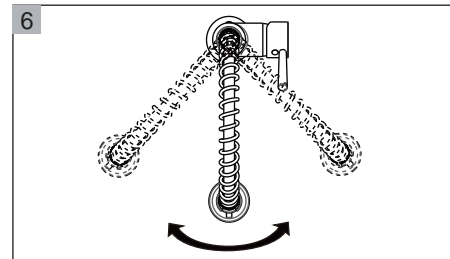
2



4 Open the water supply valve and flush for about a minute to clear the rubbish left in the pipeline, then turn off the water supply valve, and connect hot and cold water lines of the faucet to the water supply valves.



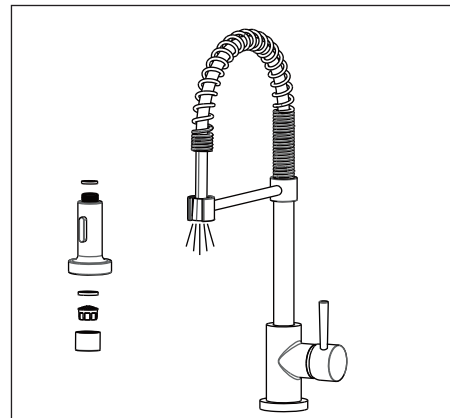
5 Open the valve, then turn the handle according to the sign of C and H on the handle to regulate the temperature of the water. (C=Cold,H=Hot)



6 Swing Spout

After installation is complete, remove aerator and rotate

Faucet Start Up



After installation is complete, remove spray head and rotate handle to the closed position. Turn on the water supply valves, and check all connections for a leak. Turn on your faucet and allow both hot and cold water to run at least one minute each, then put the spray head back.

3