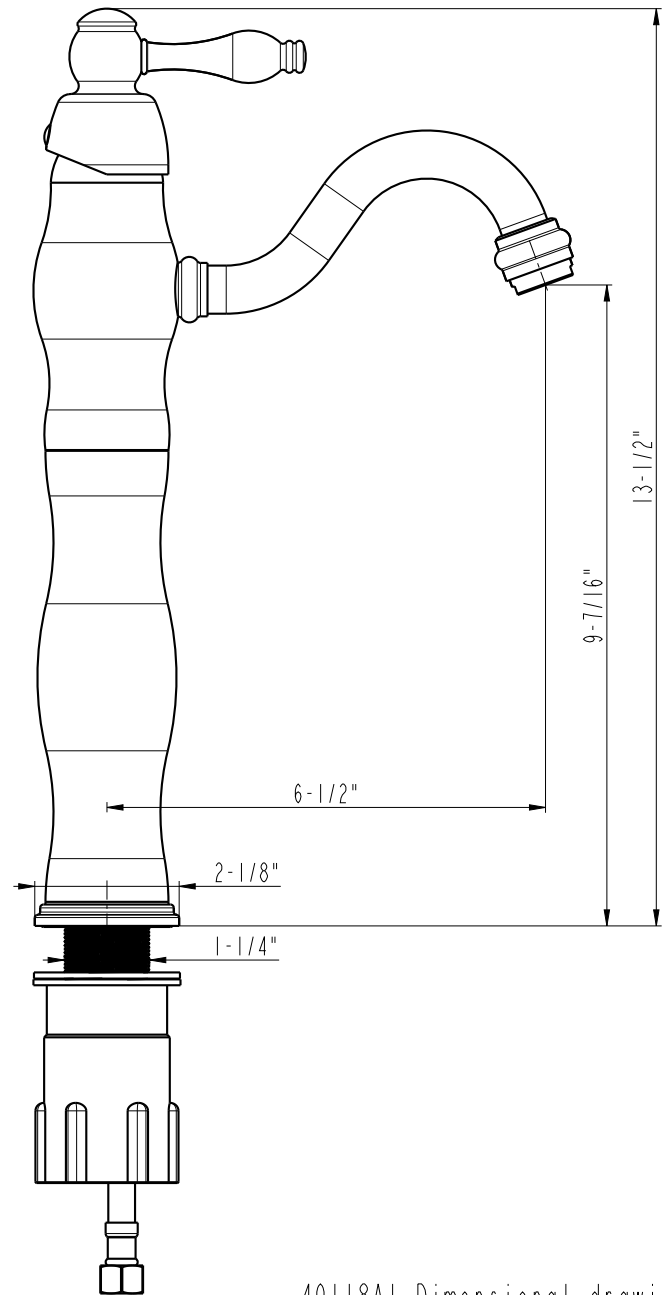


AKICON®



40118A1-Dimensional drawing

1:2

CAUTION: Maintenance

1. Replacement parts may be available at the store where you purchased your faucet.
2. Always turn off water and relieve pressure before working on your faucet.

NOTES: Cleaning Instructions

1. To keep the faucet clean, you should clean the faucet frequently and regularly.
2. Clean the faucet with clear water or mild liquid, rinse the faucet with clear water and then dry the faucet with soft cotton cloths.
3. Do not use any abrasive cleansers, cloths, or paper towel.
4. Do not use any acid or abrasive detergent.



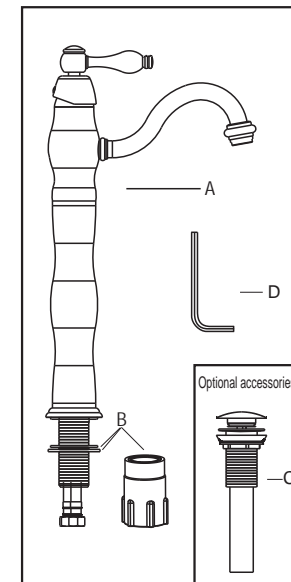
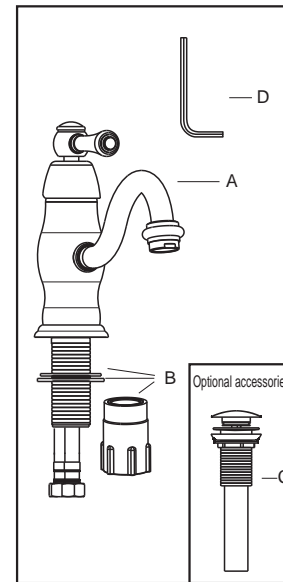
Basin Faucet / Vessel Faucet

PACKING LIST

After you open this package, please check to ensure that all of the following items are included.

- A- Faucet
- C- Pop-up assembly (Optional accessories)

- B- Mounting Nut + Washer (2)
- D- Allen Wrench

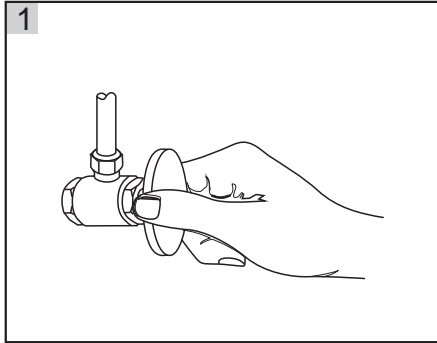


IMPORTANT NOTICES: For easy installation, please read all the instruction completely before beginning. Before installing this product, make sure that water line trash is cleared to avoid blockage.

Questions, problems, missing parts?
call Akicon Customer Service 8 a.m.-6p.m. EST, Monday-Friday
Phone: +1(302)213 4406, Email: service@akiconshop.com
AKICONSHOP.COM

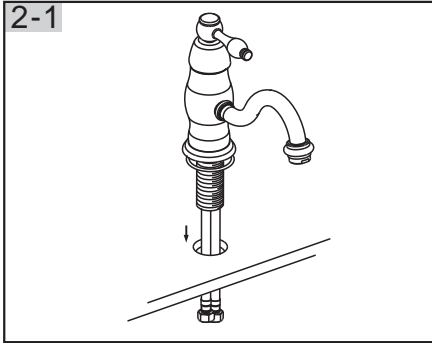
INSTALLATION PROCEDURES

1. Turn Off Water Supply

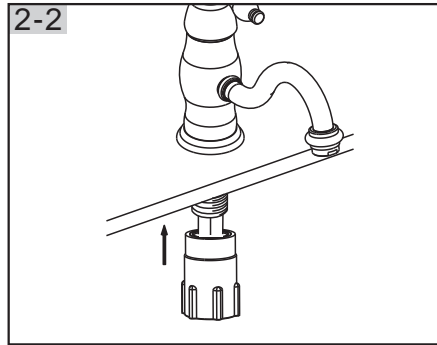


You should clean all the dirt from valve outlets. Turning off the water supply valves. This is usually found near the water meter. If you are replacing an existing faucet, remove the faucet from the sink and clean the sink surface thoroughly.

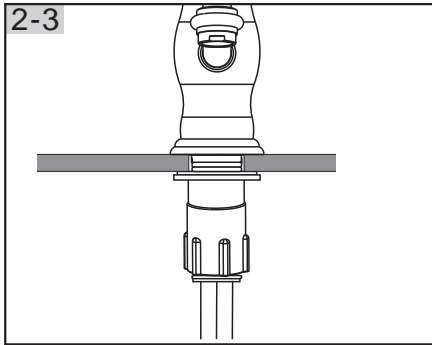
2. Install Faucet



Make sure the Rubber Washer is placed onto the bottom of Base Ring. With the Handle and spout facing forward, install faucet through the hole in the sink.

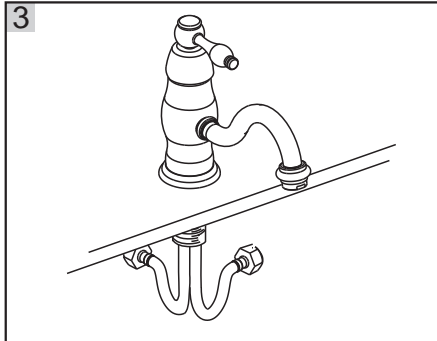


From underside sink, place Plastic Washer and Metal Washer onto screw tube and tighten with Mounting Nut by hand. Before final tightening, make sure Spout and Handle facing forward.



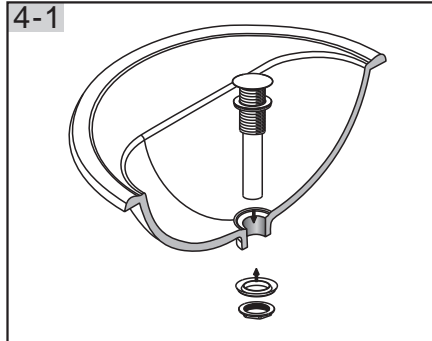
If necessary, tighten mounting nut using an Adjustable wrench until the faucet is firmly connected to the Wash Basin.

3. Water Supply Line Connections

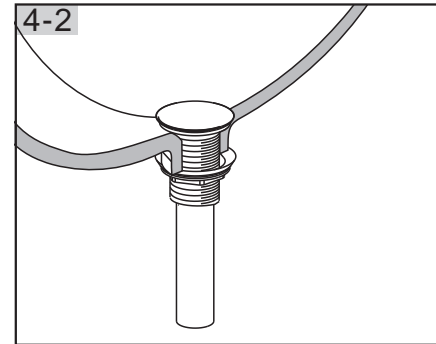


Connect hot and cold water flexible hoses to the Water Supply Valves.

4. POP-UP Assembly Installation

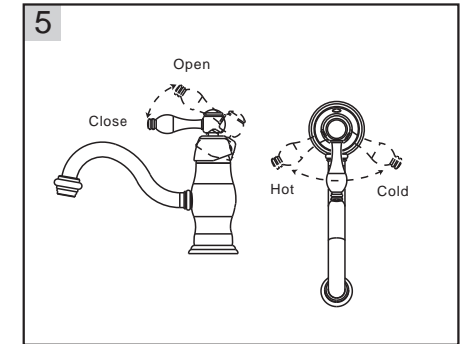


Unscrew Locknut. Make sure the Rubber Washer is in the right position under Flange. Insert Pop-up Assembly into Sink drain Hole. From underneath, tighten with Lockset.



Press stopper to keep or release water.

5. Cartridge Function



Lift the handle up, the cartridge will be activated allowing water to flow. The water flow will increase by continuing to rotate handle. By rotating the handle to the right, the water temperature will decrease to cold flow only. By rotating Handle to the left, the water temperature will increase to hot only.

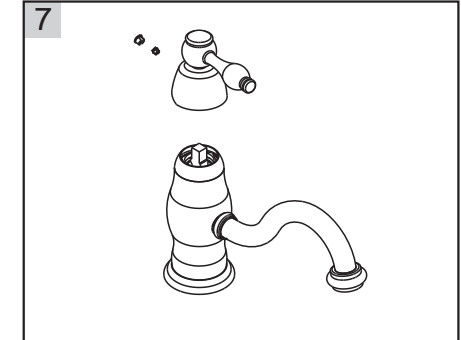
MAINTENANCE AND CARE

6. Faucet Start Up



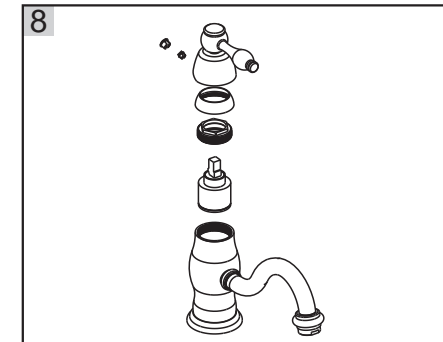
After installation is complete, remove aerator and rotate handle to the close position. Turn Water Supply Valves on, and check all connections for leak. Turn faucet on and allow both hot and cold water to run at least one minute each. Replace Aerator.

7. Handle Removal



Turn off water and relieve pressure before working on your faucet! Unscrew Handle Assembly, then pull out handle assembly from valve stem with force.

8. Cartridge Removal



Remove handles, unscrew cartridge assembly and inspect. Replace parts as necessary. Reassemble parts by reversing steps.