



VOCiC ROLLATOR

INSTRUCTION MANUAL



Content

I.Safety Instruction.....	3
II.Product Information.....	3
III.Product Overview.....	4
IV.Assembly Instructions.....	5
V.Operation Instruction.....	6
VI.After-sales Service.....	7

Thank you for purchasing a VOCIC Rollator!
The VOCIC Rollator made of aluminium has been developed with a lot of attention to safety and will support you in your everyday life.

Please read these directions carefully before you start using the product and keep them for future reference. If you have any other questions or valuable suggestions, please send to: service-us@vocic.com, we look forward to hearing from you, thank you.

Rollator

Model: V-RL-Z51-A-BK
V-RL-Z51-A-BL
V-RL-Z51-A-RD

 **Dsitributor:** Hengshui Ruilangde Medical Equipment Co, Ltd
Address: East D block of Haiwei West Road,North of Zhongkuang Road
MiaozhenDevelopment Zone,Jingxian County,Hengshui City, Hebei Province
Tel: +0318-5201810

 **Manufacturer:** Foshan Cradle Medical Equipment Technology Co.,Ltd
Address: No.3,South Xiangtai Road,Dawovillage,Danzao Town,
nanhai district, Foshan,Guangdong,China







136KG 

I. Safety Instructions

■ Safety Precautions Before Use

- Make sure the rollator is completely unfolded and locked into position.
- Check that the rollator is fully intact each time before using it. Check that the brake is working. Check that the backrest is fixed properly.
- Use only on even and solid surfaces, never on an inclined or uneven ground.

■ Accident Prevention

- Always use both brakes at the same time! Do not sit on the rollator if the parking brake is not active or if it is at an angle.
- The backrest is not intended to support full body weight. Avoid leaning while sitting as this may result in a fall.
- All four wheels must be in contact with the ground at all times. Only in this way the rollator is safely balanced which prevents accidents.
- Always be careful when crossing thresholds, railway tracks, gully covers with wide slits and the like. A wheel can get caught or trapped in them, stop abruptly and you might fall.
- Do not use the Rollator if any part has been damaged, broken or cracked, or if it is missing.
- Regularly check the screws and fasteners on the Rollator and retighten if necessary.
- Never use in the presence of flammable/combustible and burning substances.

■ Restrictions on Use

- Be sure to fasten the seat belt when using it as a wheelchair.
- The net bag may be loaded with a maximum of 11LBS and do not overload it.
- Do not exceed the maximum user weight: 300LBS.

■ WARNING



Keep the plastic packaging materials away from children due to the risk of suffocation.

II. Product Information

■ Product: Rollator

■ Purpose

The VOCIC Rollator was developed for indoor and outdoor use. It serves as a mobility aid with four wheels for people with walking difficulties. The user should have the necessary physical, visual and cognitive abilities to operate the rollator safely.

■ Please Note:

We are only able to issue a guarantee if the product is used in accordance with the specified conditions and for the specified purpose.

■ Contraindication

The VOCIC Rollator is not suitable for people with very weak arm strength, significant cognitive impairment, or very poor balance. The use and application of the VOCIC Rollator should be assessed and instructed by a doctor or therapist.

Technical Data

Max. user weight	300LBS	Handle height	31.5"-39.6"
Total weight approx.	22.9LBS	Seat (width x depth)	15" x 14.2"
Max. bag load	11LBS	Seat height	20"
Length/Overall depth	33.6"	Front wheels (diameter x width)	9" x 1.6"
Width (open)	23.8"	Rear wheels (diameter x width)	7.9" x 1.4"
Material of frame	Aluminum	Material of handles	TPE
Material of tyres	PP	Material of seat	Fabric+Sponges

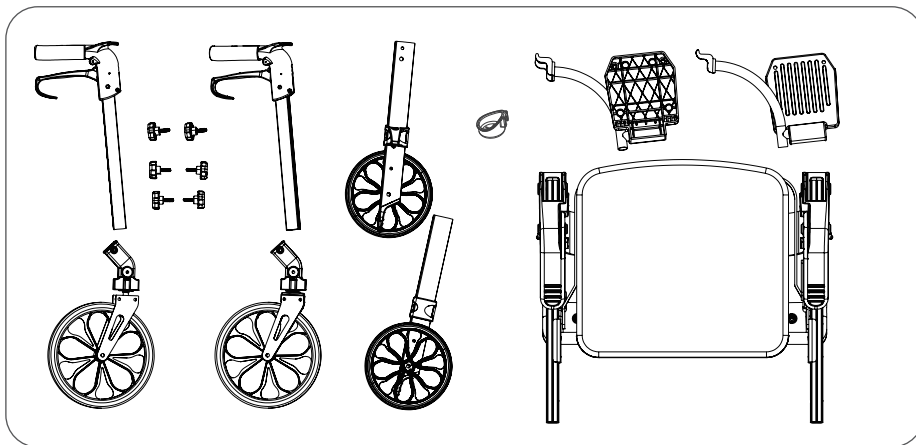
III. Product Overview



- | | | |
|------------------------|------------------------|-----------------|
| 1. Handle | 5. Knob screw | 9. Rear wheel |
| 2. Brake handle | 6. Storage Bag | 10. Cane holder |
| 3. Backrest | 7. Detachable Footrest | 11. Brake shoe |
| 4. Sit-to-Stand handle | 8. Front wheel | |

Inspection on Delivery

Check the contents for completeness and make sure nothing is damaged. Should you find any irregularities or damage, please contact our customer service (service-us@vocic.com).



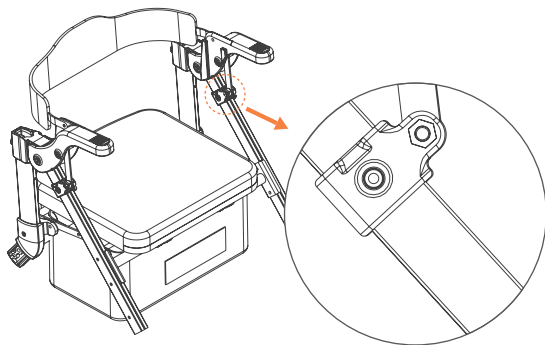
Video Guide 



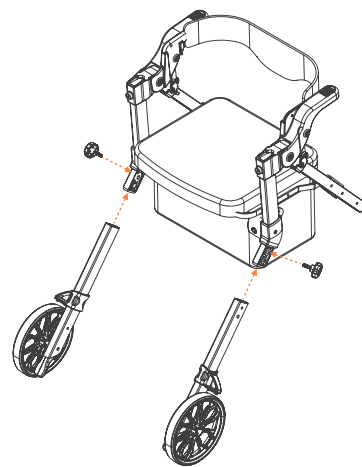
Scan to watch installation video

IV. Assembly Instructions

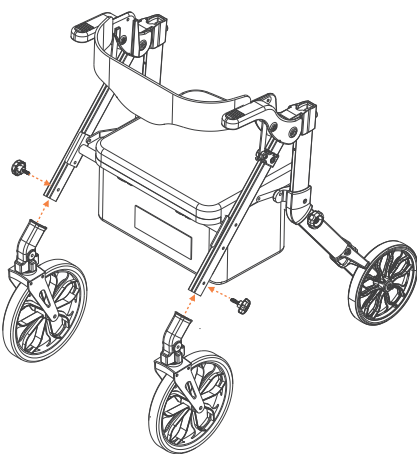
1



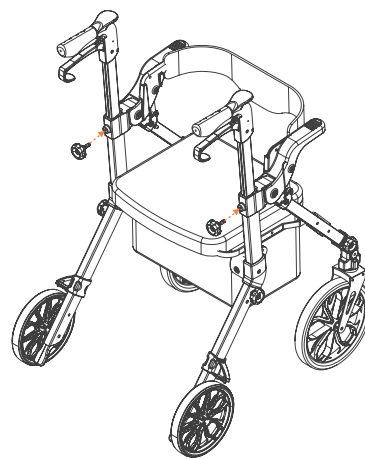
2



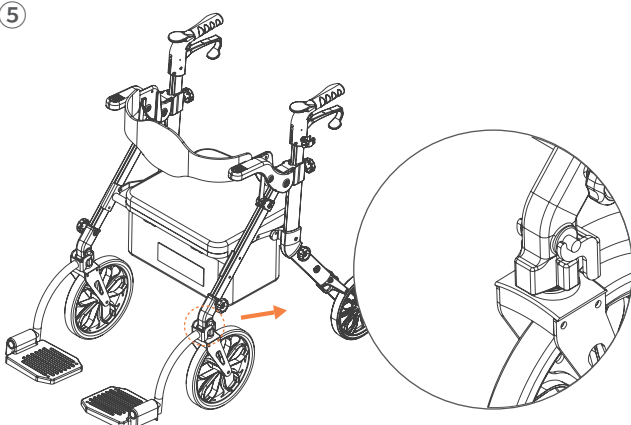
3



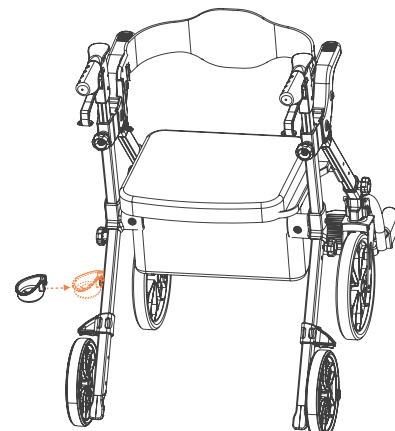
4



5



6



V. Operation Instructions

1. Folding



①Lift the seat of the rollator.



②Pull up the black metal brace inside the basket to fold the rollator.

2. Height Adjustment



Loosen the knob screw(5) and adjust the handle to the appropriate height. Repeat for the other side, and Retighten the knob screw(5). Make sure that both handles are set to the same height.



Check that the handle is locked in a secure position.

3. Brake System



①To apply the hand-brake pull the brake lever up.



②To engage the parking-brake, press the brake lever down until it locks.



• Brake Adjustment

To adjust the brake force, start by pressing the brake shoe and then rotate either clockwise or counter clockwise.

4. Sitting



- The Rollator gives support when walking. If you want to take a break, you can sit on it.
- Place the rollator on a solid, level surface. Lock the brakes (parking position). The Rollator must stand and must not slip. Sit straight up.
- You can use it as a wheel chair or a rollator.



Be sure to fasten the seat belt when using it as a wheelchair.

(The Belt for Safety)

5. Detachable Footrest



The footrest can be easily installed or removed by aligning the footrest with the gap at 60-75 degrees.



The footrest can be placed under the frame as pictured.

6. Adjustable Backrest



7. Removable Cane Holder

To attach the cane holder in the provided position, slide the cane holder onto the frame from above.



Cane/Umbrella Buckle

8. Transport and Storage

If the rollator is to be stored or shipped, it is advisable to retain the original packaging.

9. Maintenance

- Clean regularly by hand with a damp cloth. Do not use aggressive or caustic detergents.
- Avoid long-term exposure to the sun and rain.
- Do not scratch the surface of the rollator with hard tools, sharp knives, etc.
- If corrosive liquid is splashed on the surface of the rollator, please wipe it quickly with a dry towel.
- If the wheels are found to have sharp and harsh sounds, they should be lubricated regularly.

VI. After-sales Service

1. Replacing of Parts

Wearable parts such as tires are subject to wear and tear. Please contact us for the replacement of parts if necessary.

2. Warranty

Once you purchase with VOCiC, you are covered by an 1-year warranty and lifetime after-sales service. Our 24/7 after-sales service is always available to answer any questions you may have during installation and use.

Contact

If you have any questions, please contact us: service-us@vocic.com



Your Best Walking Friend



@VOCiCMedical



@VOCiCMedical



@VOCiCMedical



@VOCiCMedical

 service-us@vocic.com