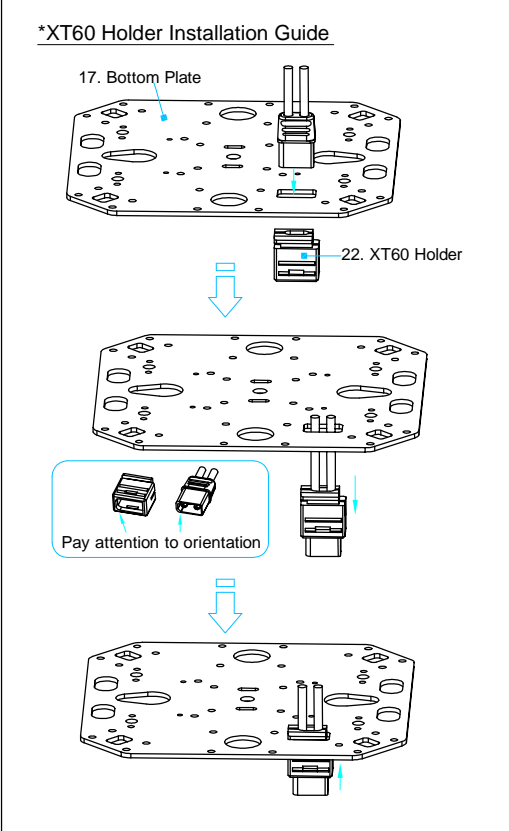
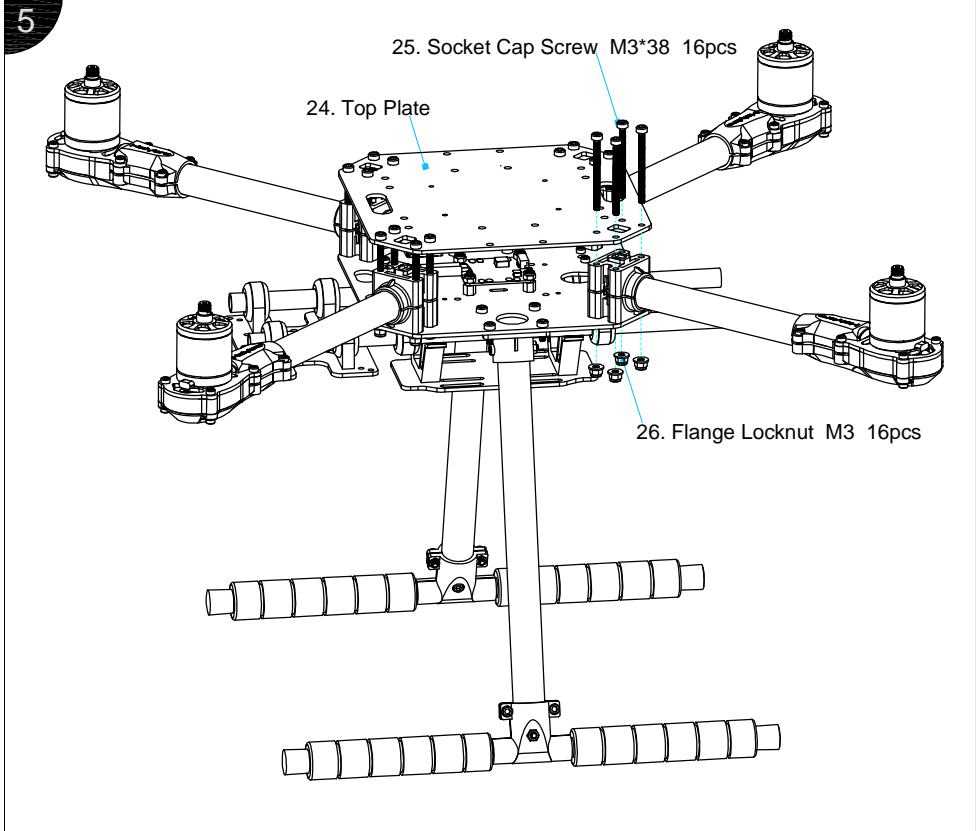
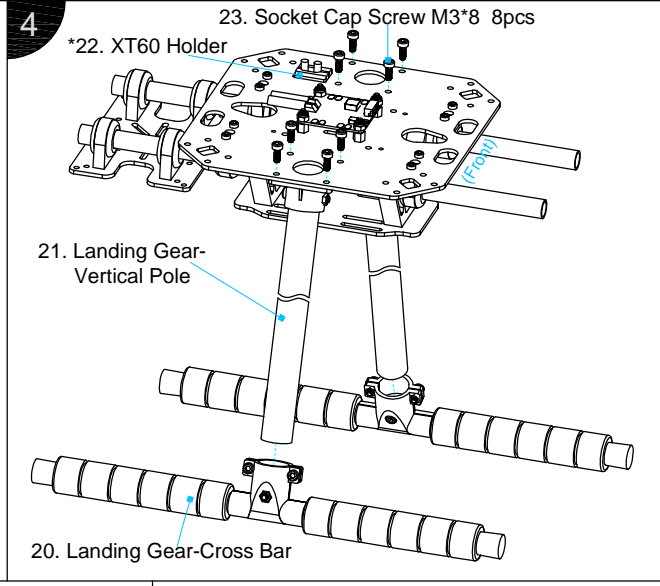
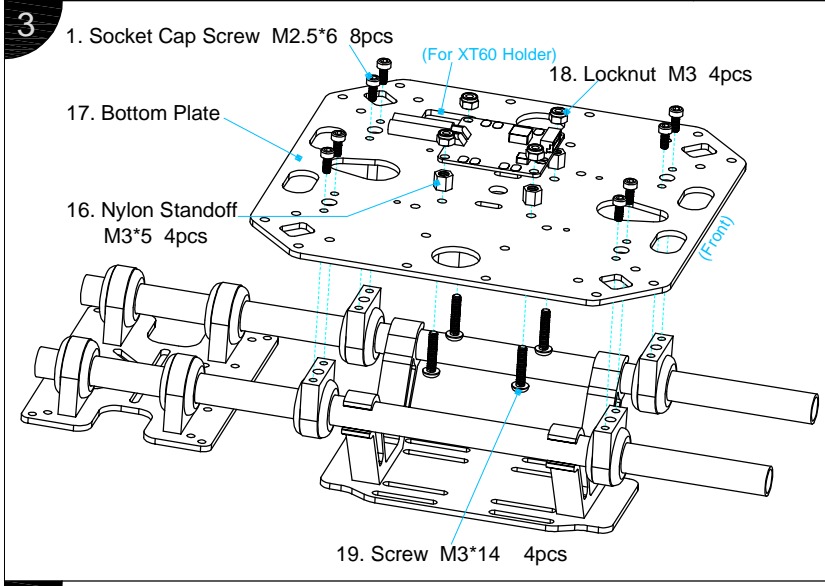
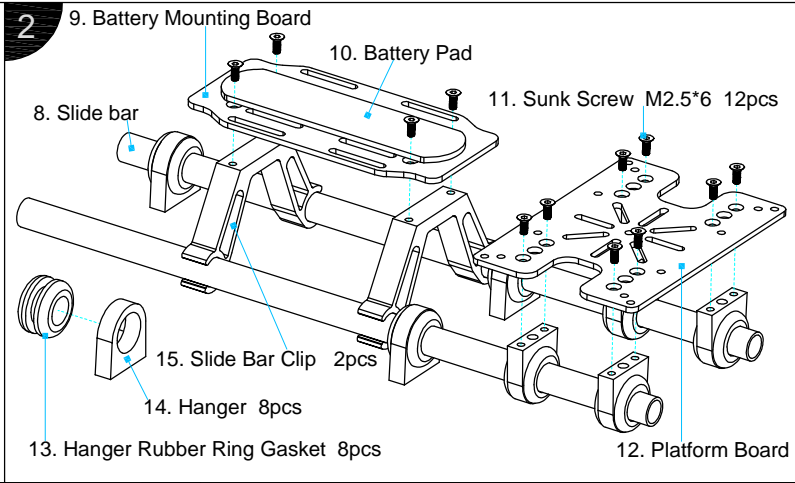
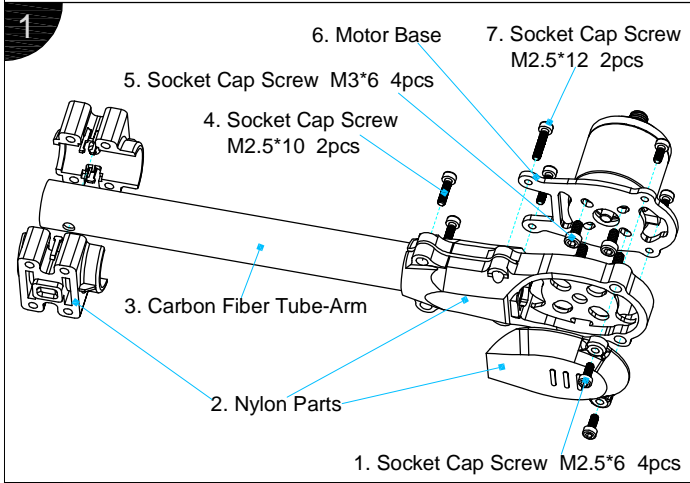
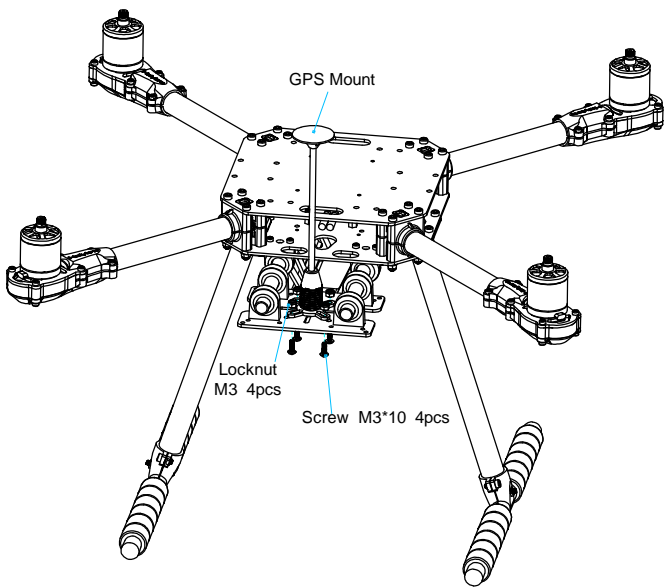


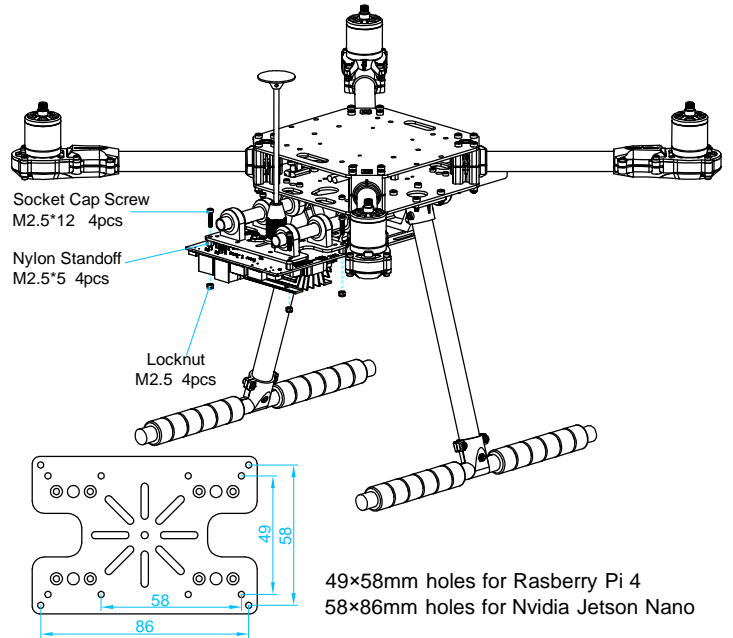
# X500 v2 Assembly Guide



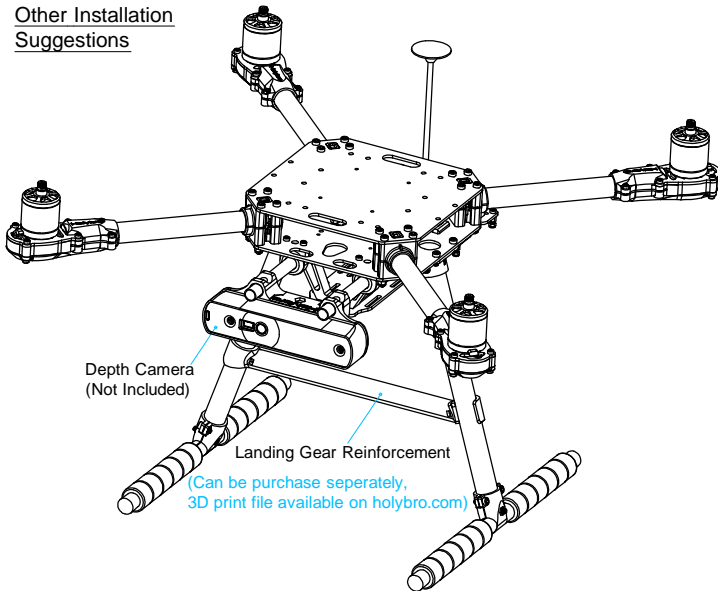
GPS Mount Location Suggestion



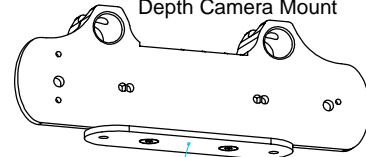
Companion Computer Mounting Suggestion



Other Installation Suggestions

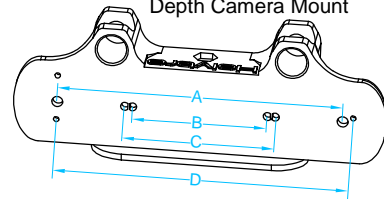


Depth Camera Mount



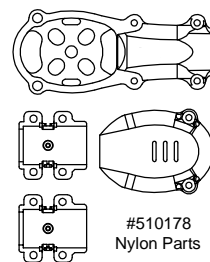
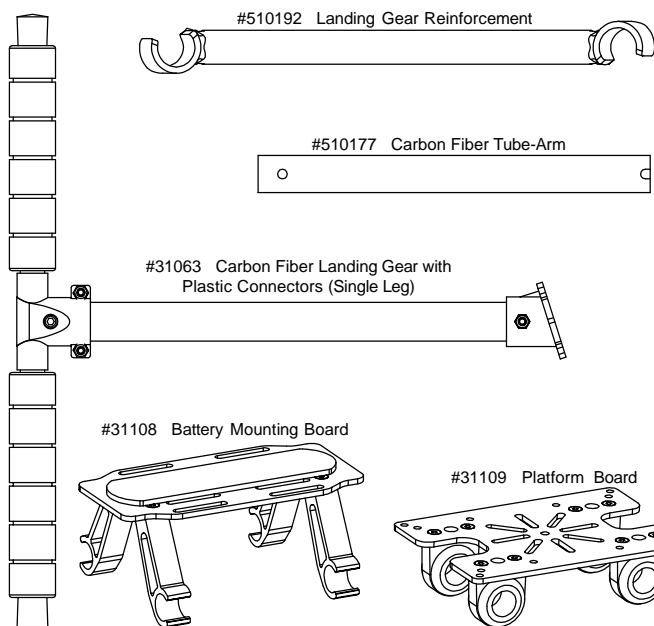
Bottom facing Platform  
(For bottom facing sensors such as lidar, optical flow, infrared sensor, etc)

Depth Camera Mount



A: For Intel Realsense D455 (95mm, M4, 2pcs)  
B: For Intel Realsense D415/D435 (45mm, M3, 2pcs)  
C: For Intel Realsense T265 (50mm, M3, 2pcs)  
D: For Structure Core (98.65mm, M1.6, 3pcs)

**PART LIST**



#510181 Motor Base



#31110 Depth Camera Mount

