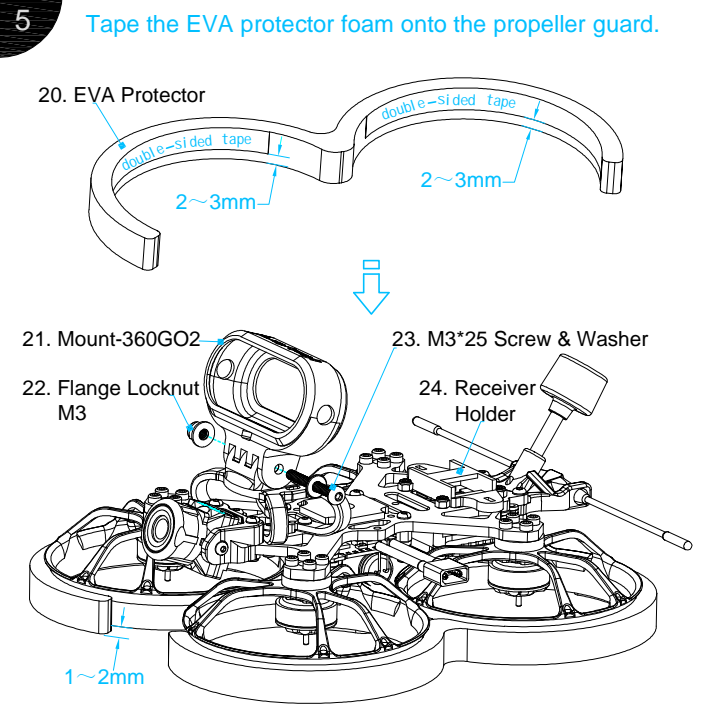
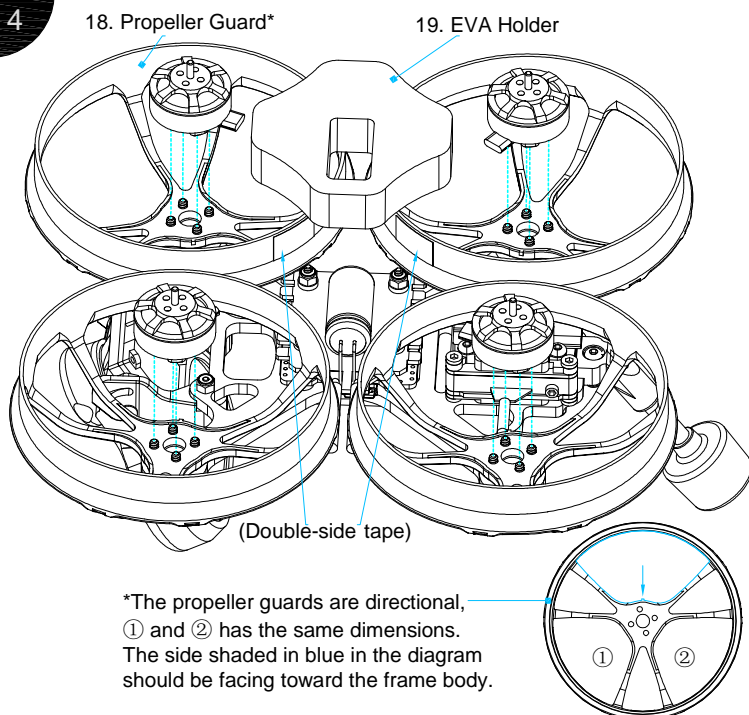
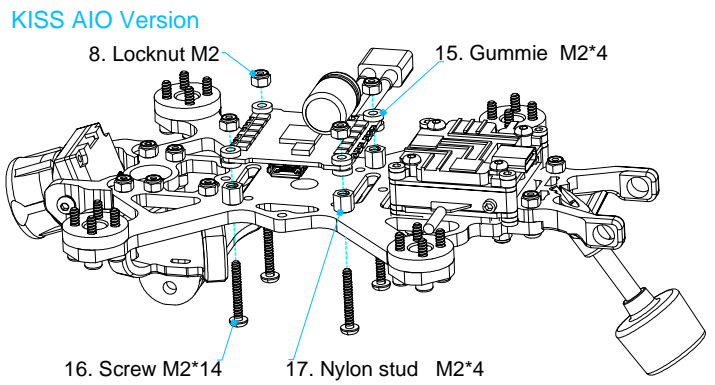
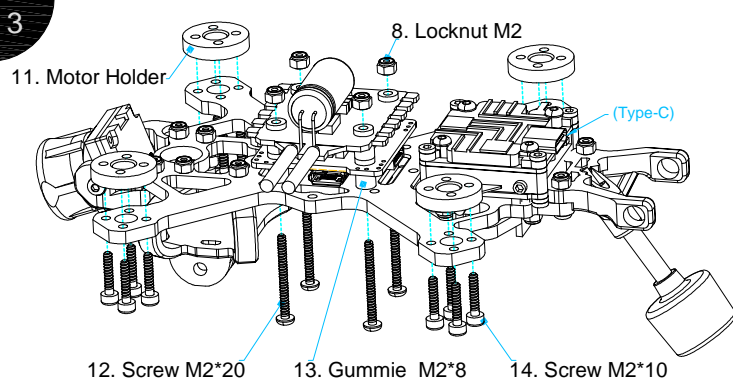
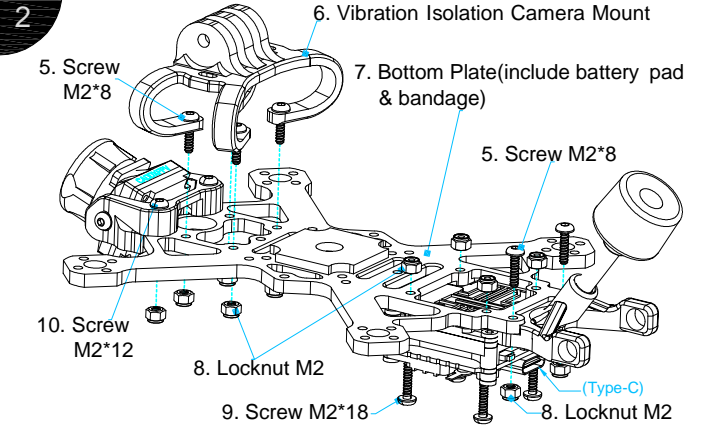
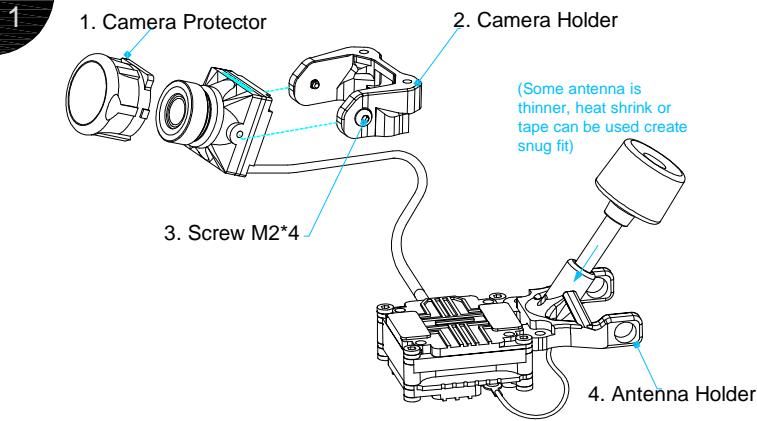
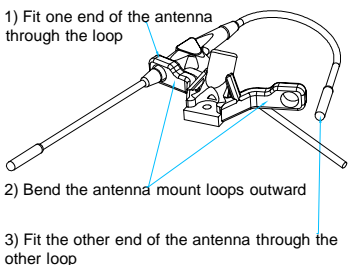


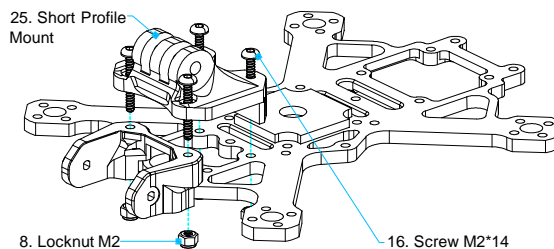
Kopis cinewhoop 2.5inch Assembly Guide_v1.1



※Follow diagram below to install T-shaped antenna into TPU mount:



※Using the short profile mount:



※Gopro H5/H6/H7 Camera Mount 3D print file available on holybro.com

